

US00D521351S

(12) **United States Design Patent**
Alchin

(10) **Patent No.:** **US D521,351 S**

(45) **Date of Patent:** **** May 23, 2006**

- (54) **DOOR HANDLE AND STRIKER**
- (75) Inventor: **Michael Brian Alchin**, Mittagong (AU)
- (73) Assignee: **Azuma Design PTY Limited** (AU)
- (**) Term: **14 Years**

5,511,833 A	*	4/1996	Tashman et al.	292/145
5,582,442 A	*	12/1996	Nolte	292/101
D384,568 S	*	10/1997	Mantarakis et al.	D8/301
D395,222 S	*	6/1998	Fontaine	D8/331
6,023,952 A	*	2/2000	Mantarakis et al.	70/99
6,748,773 B1	*	6/2004	Alchin et al.	70/99

* cited by examiner

- (21) Appl. No.: **29/219,155**
- (22) Filed: **Dec. 13, 2004**

Primary Examiner—Paula A. Greene
(74) *Attorney, Agent, or Firm*—Fitch, Even, Tabin & Flannery

- (51) **LOC (8) Cl.** **08-06**
- (52) **U.S. Cl.** **D8/301**
- (58) **Field of Classification Search** D8/300–302,
D8/315–320, 330–331, 350–352, 341, 343;
70/51, 91, 99, 141, 207, 224, 208; 292/336.3,
292/359, 342, 348, 128, 138, 145, 101, 102,
292/142, 357, 172, 39, 49, 51
See application file for complete search history.

(57) **CLAIM**

I claim the ornamental design for a door handle and striker, as shown and described.

DESCRIPTION

FIG. 1 is a front perspective view of a door handle and striker according to my new design;
FIG. 2 is a rear perspective view of the door handle of FIG. 1;
FIG. 3 is a rear plain view of the door handle of FIG. 1;
FIG. 4 is a side elevational view of the door handle of FIG. 1;
FIG. 5 is a front plain view of the door handle of FIG. 1; and,
FIG. 6 is an end elevational view of the door handle of FIG. 1.

(56) **References Cited**

U.S. PATENT DOCUMENTS

2,566,015 A	*	8/1951	Borchers	292/128
D191,920 S	*	12/1961	Hale et al.	D8/302
3,082,029 A	*	3/1963	Riegelman	292/49
D228,621 S	*	10/1973	Lambertz et al.	D8/341
4,068,874 A	*	1/1978	Fleming et al.	292/128
D294,003 S	*	2/1988	Simoncelli	D8/302

1 Claim, 5 Drawing Sheets

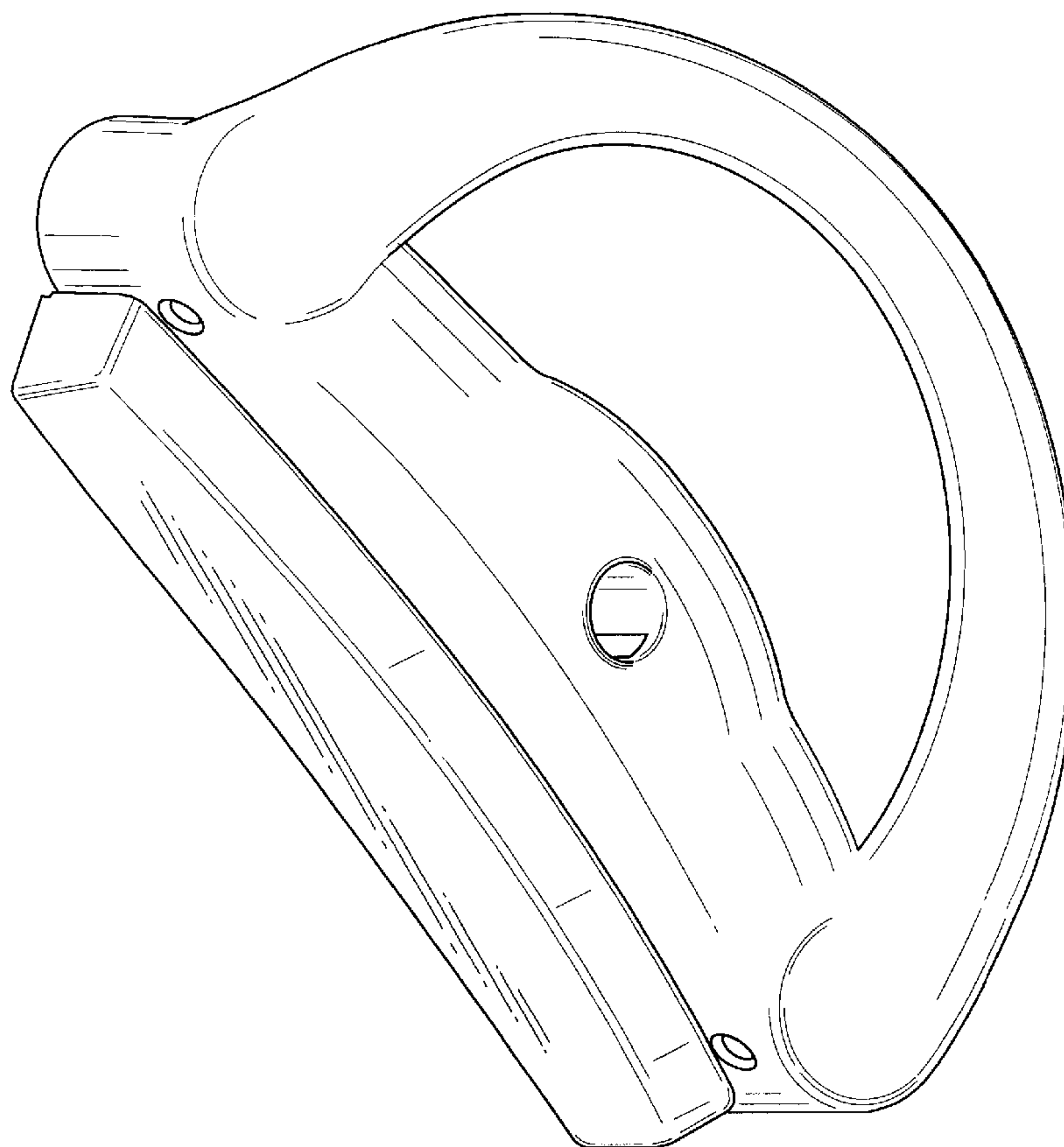




Fig. 1

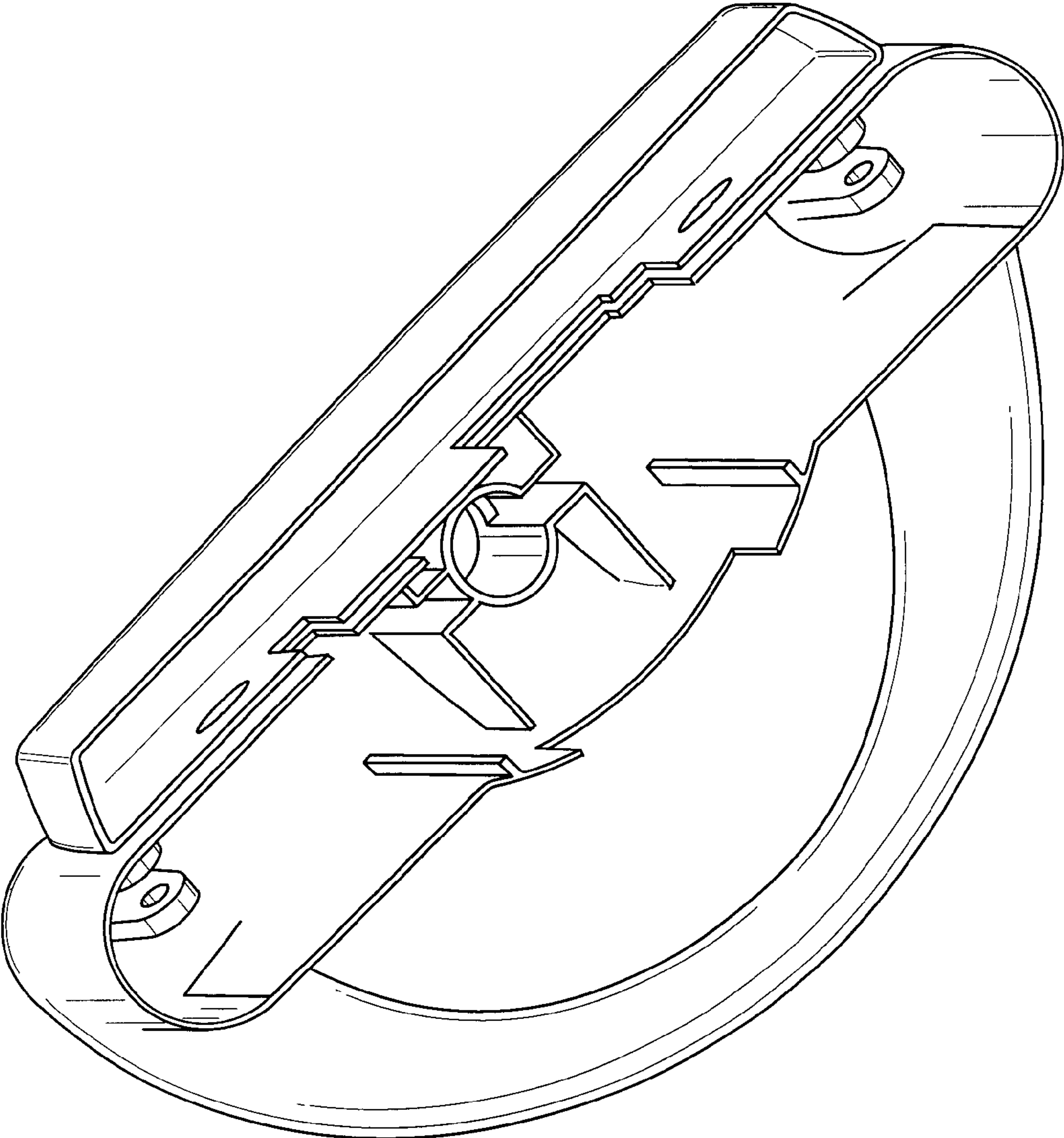


Fig. 2

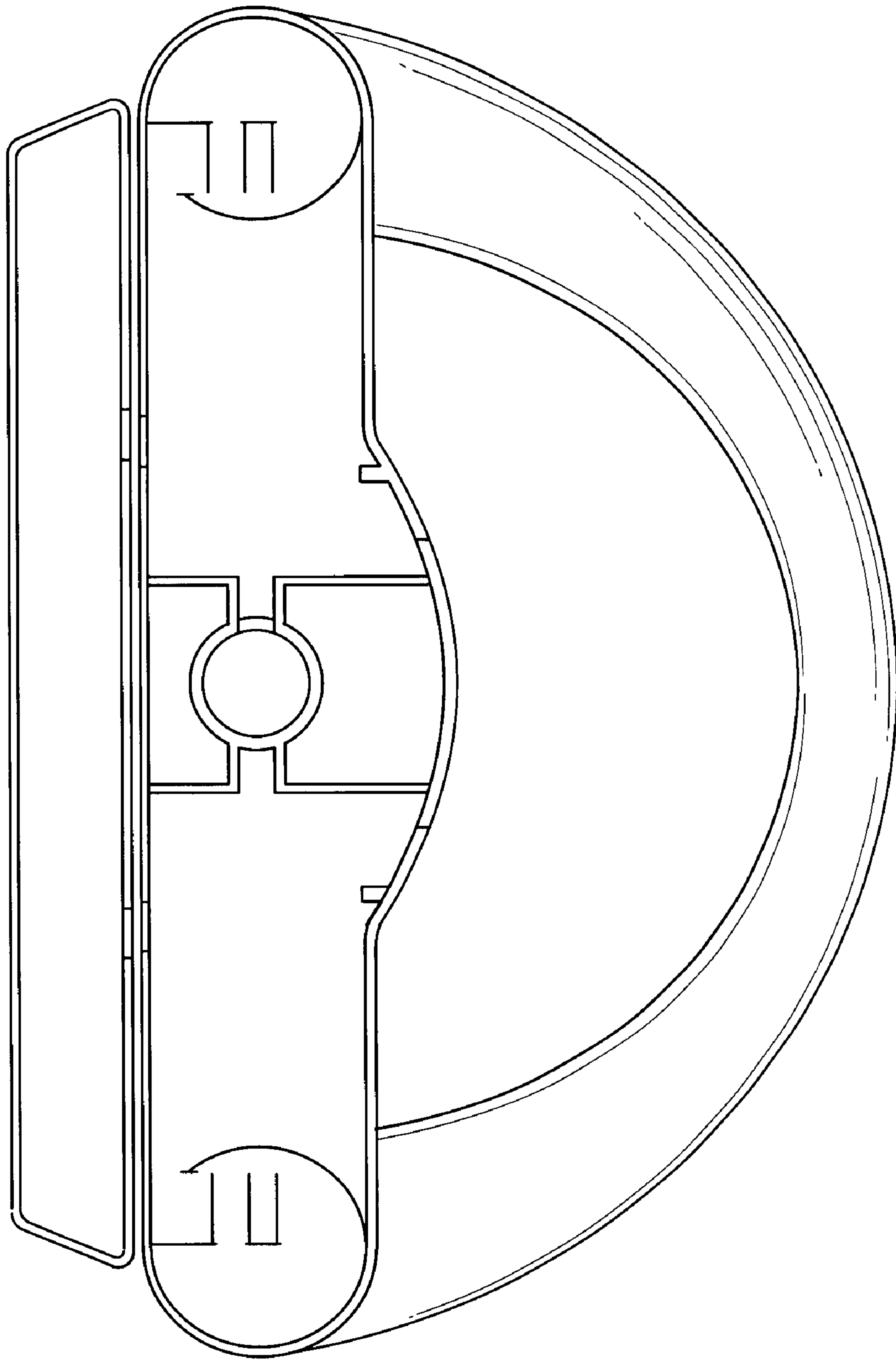


Fig. 3

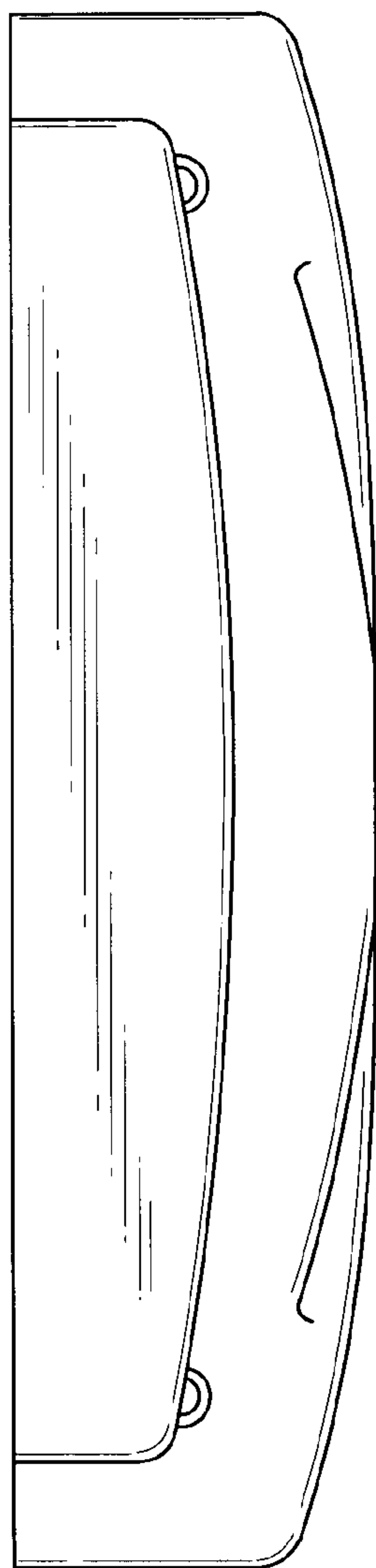


Fig. 4

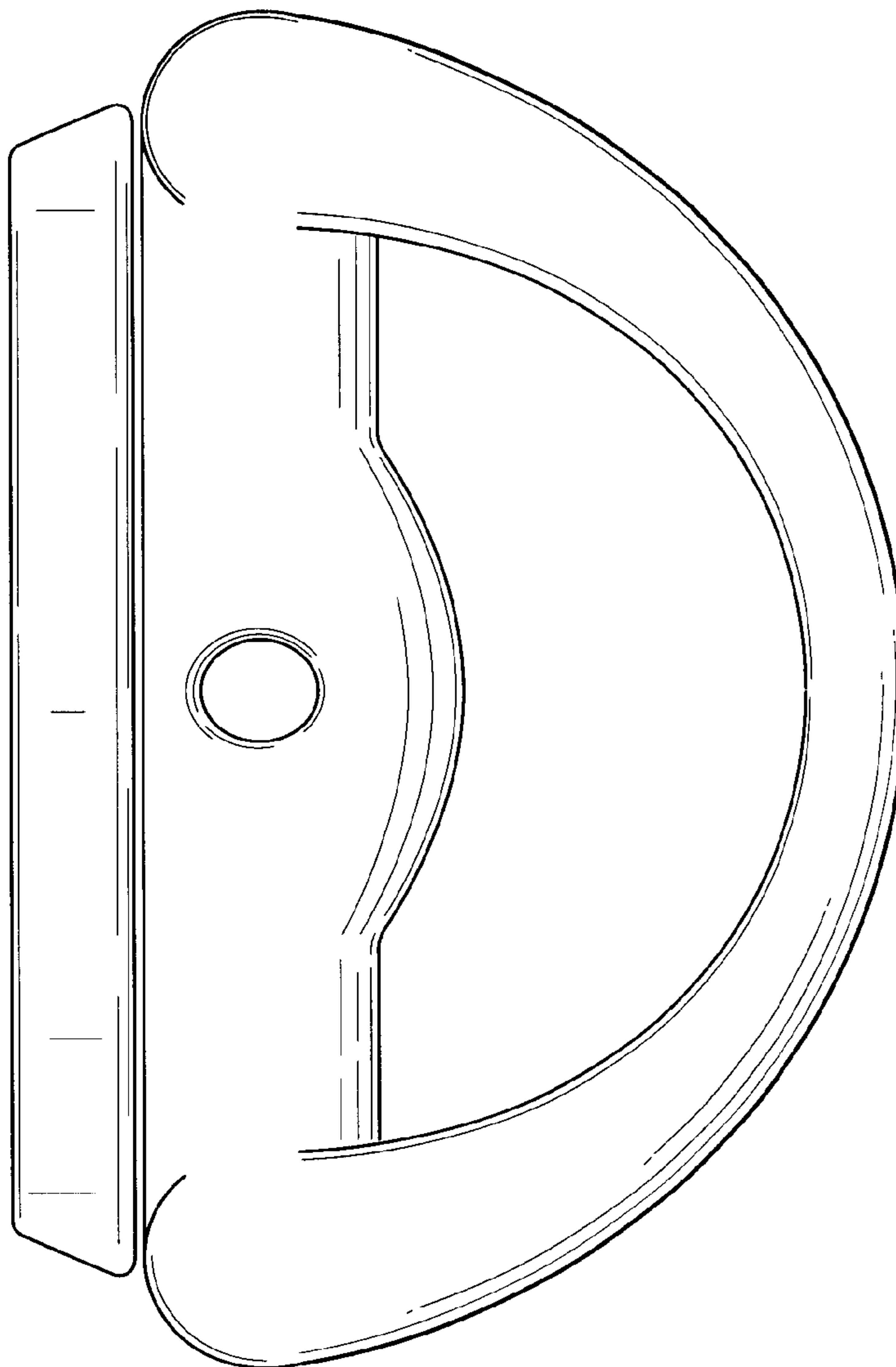


Fig. 5

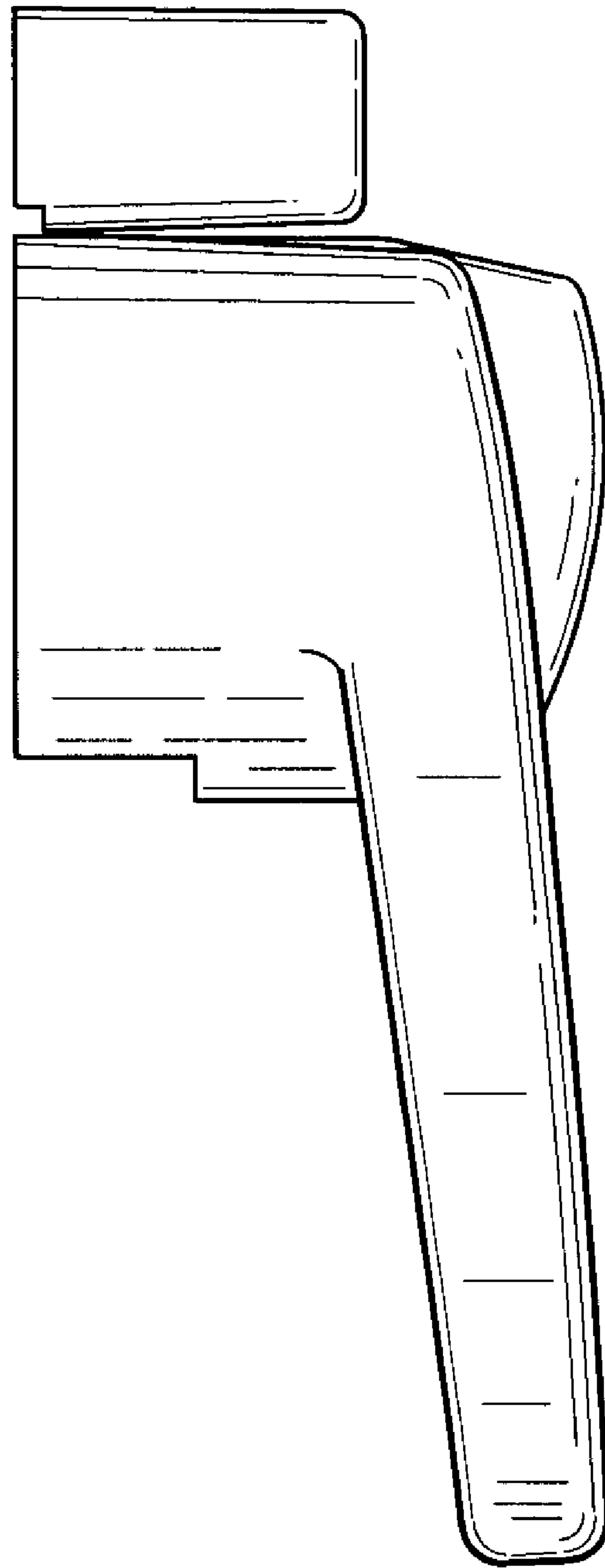


Fig. 6