



US00D521349S

(12) **United States Design Patent**
Ralph

(10) **Patent No.:** **US D521,349 S**

(45) **Date of Patent:** **** May 23, 2006**

(54) **UNIVERSAL V-HANDLE**

(76) **Inventor:** **Jeffrey Allen Ralph**, P.O. Box 84992,
Fairbanks, AK (US) 99708-4992

(**) **Term:** **14 Years**

(21) **Appl. No.:** **29/199,211**

(22) **Filed:** **Feb. 10, 2004**

(51) **LOC (8) Cl.** **08-06**

(52) **U.S. Cl.** **D8/107**

(58) **Field of Classification Search** D8/1,
D8/107, 307, 311, 315, 321, 322, 380, 373;
16/110.1, DIG. 12, DIG. 19

See application file for complete search history.

(56) **References Cited**

U.S. PATENT DOCUMENTS

1,213,136	A	*	1/1917	Adams	294/57
1,930,000	A	*	10/1933	Bulger	294/57
3,107,937	A	*	10/1963	Duppengiesser	294/57
3,226,149	A	*	12/1965	McJohnson	294/50
3,304,035	A	*	2/1967	Davis	248/516

D262,351	S	*	12/1981	Oas	D8/1
D347,986	S	*	6/1994	Booth	D8/107
6,237,274	B1	*	5/2001	Head et al.	43/25
D447,534	S	*	9/2001	Wackowski et al.	D22/147
6,393,647	B1	*	5/2002	Libman	15/145
D464,247	S	*	10/2002	Lin	D8/107
D484,023	S	*	12/2003	Stout	D8/107

* cited by examiner

Primary Examiner—Paula A. Greene

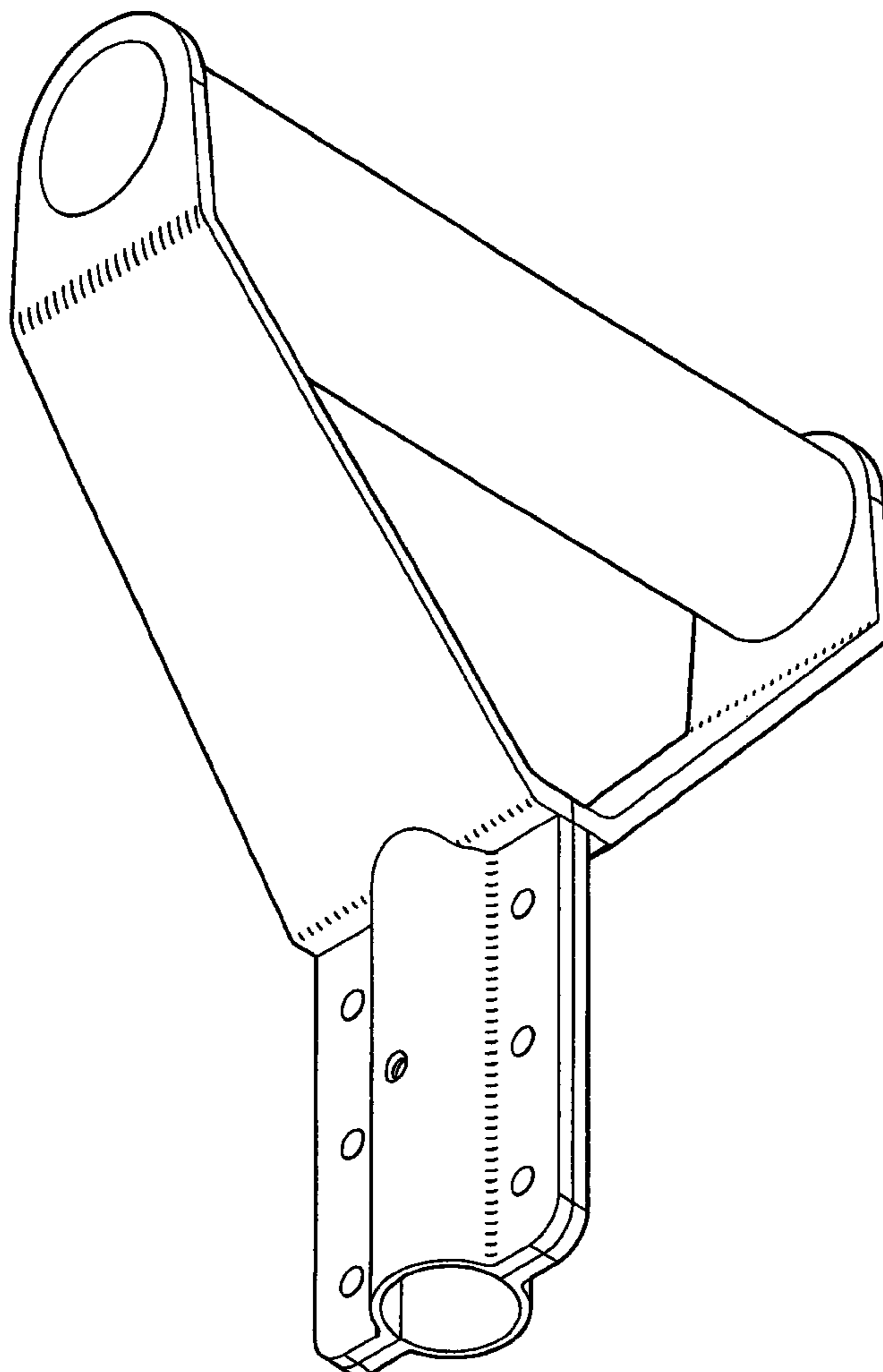
(57) **CLAIM**

The ornamental design for an universal V-handle, as shown and described.

DESCRIPTION

FIG. 1 is a Isometric view thereof.
FIG. 2 is a Front view thereof, and the Back view being a mirror image.
FIG. 3 is a Side view thereof, and the other Side view being a mirror image.
FIG. 4 is Top view thereof; and,
FIG. 5 is Bottom view thereof.

1 Claim, 5 Drawing Sheets



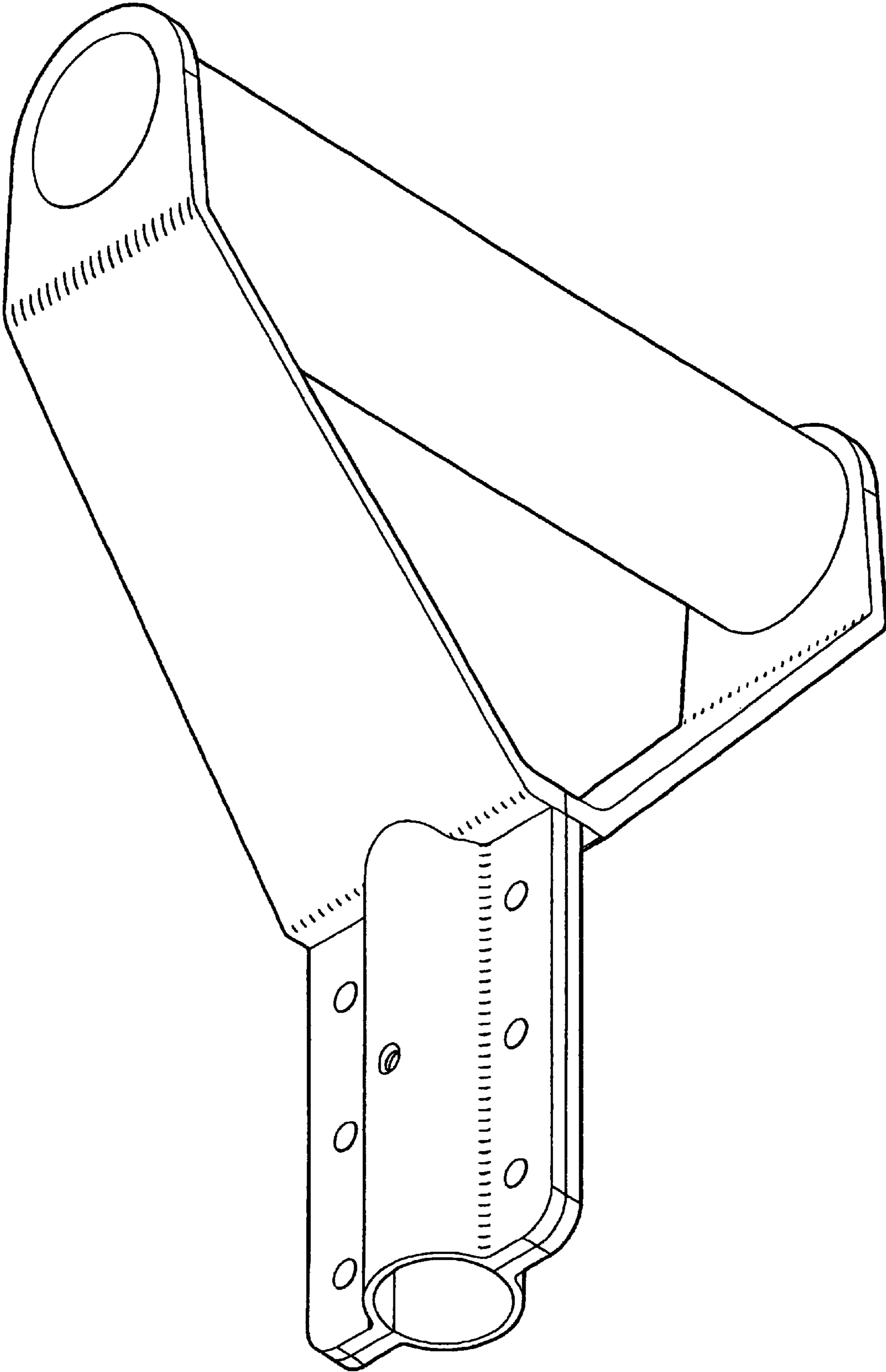


FIG. 1

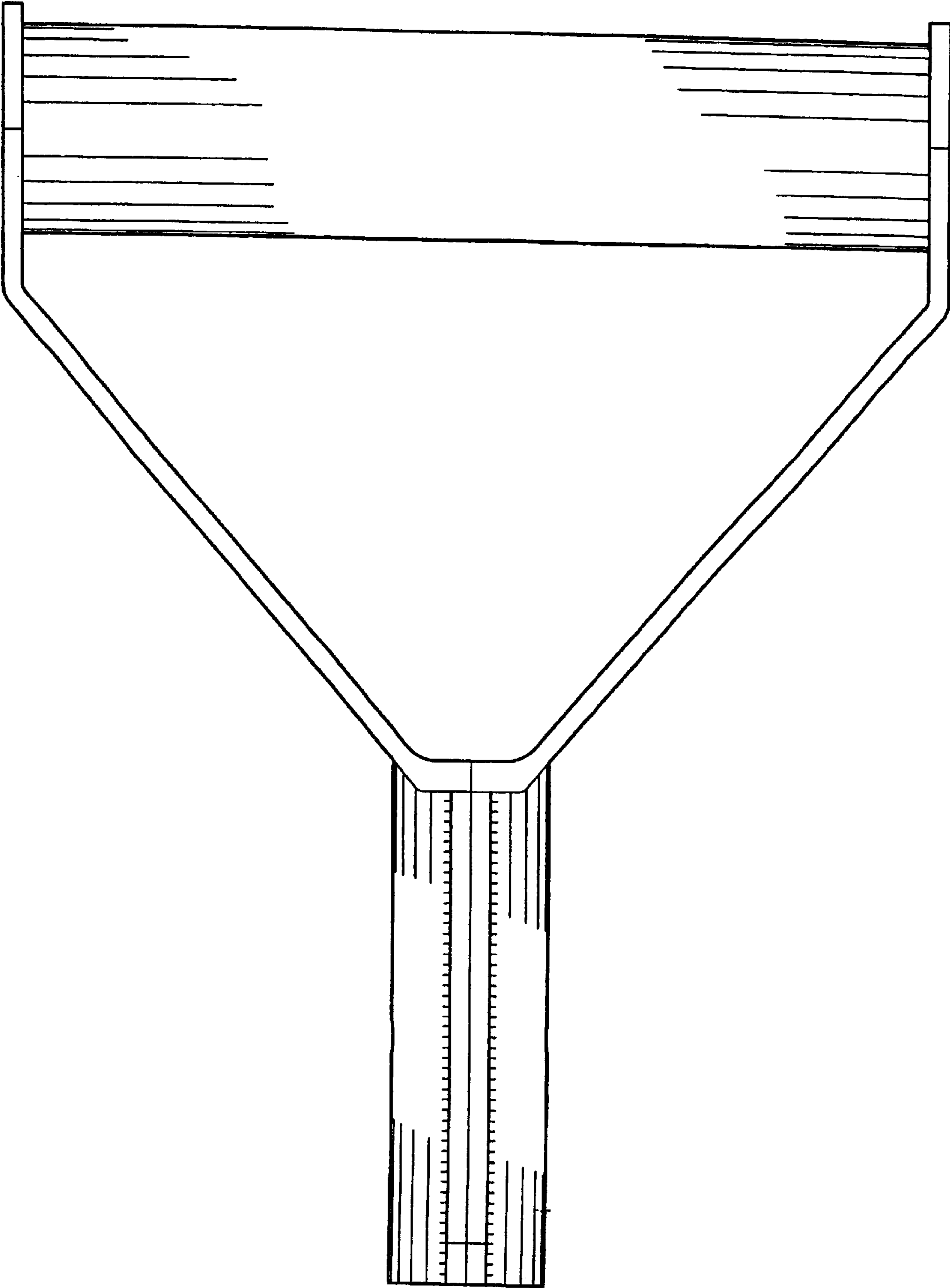


FIG. 2

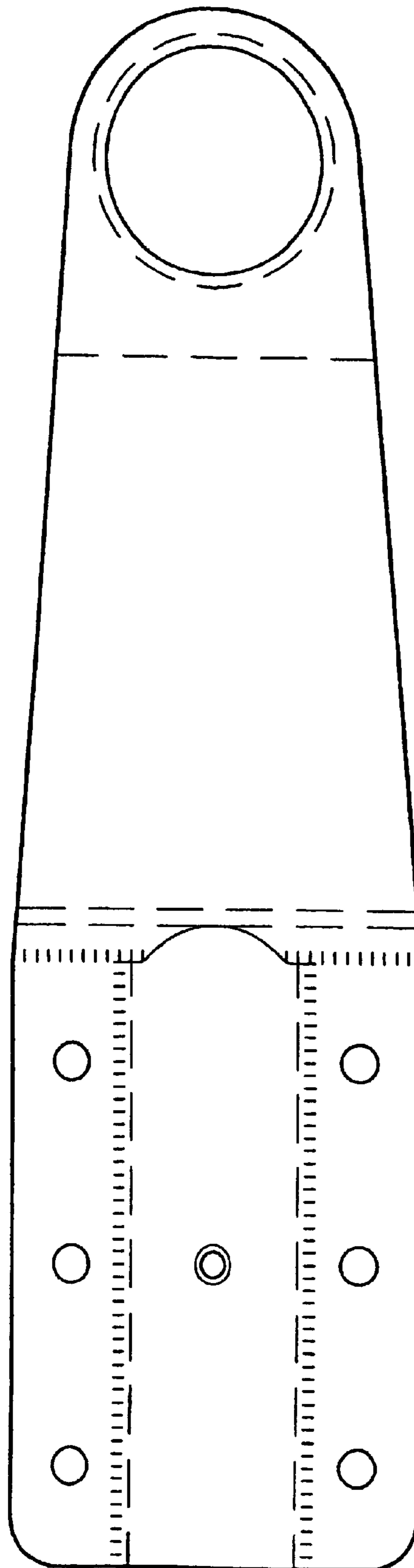


FIG. 3

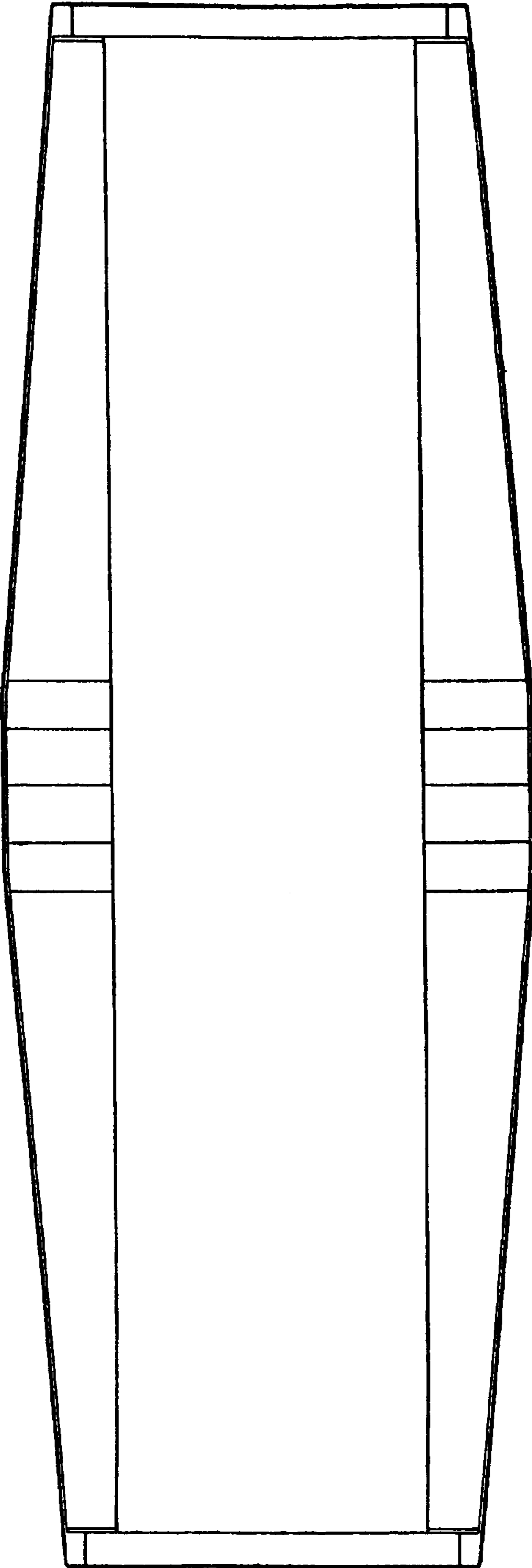


FIG. 4

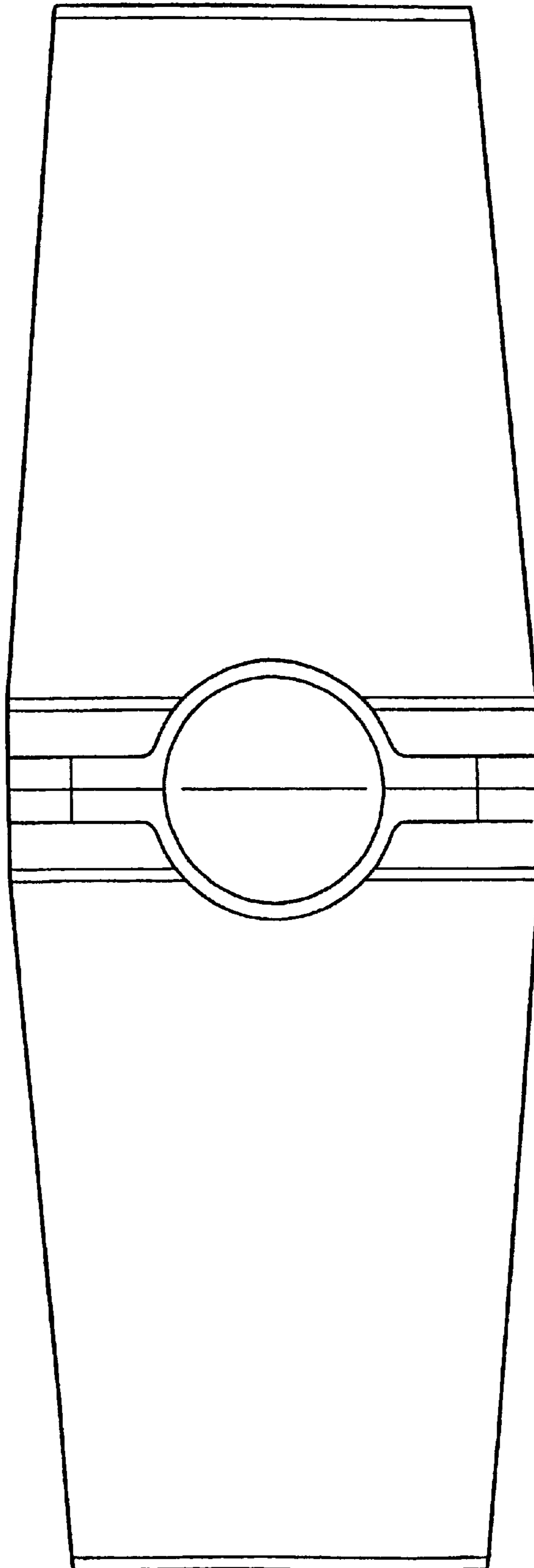


FIG. 5