

US00D521341S

(12) **United States Design Patent**
Kimura

(10) **Patent No.:** **US D521,341 S**

(45) **Date of Patent:** **** May 23, 2006**

(54) **LOCK OPENING DEVICE**

(75) Inventor: **Kiyoshi Kimura, Ebina (JP)**

(73) Assignee: **Kabushiki Kaisha Ogura, Ebina (JP)**

(**) Term: **14 Years**

(21) Appl. No.: **29/214,546**

(22) Filed: **Oct. 5, 2004**

(30) **Foreign Application Priority Data**

Apr. 6, 2004 (JP) 2004-010524

(51) **LOC (8) Cl.** **08-05**

(52) **U.S. Cl.** **D8/70**

(58) **Field of Classification Search** D8/61,
D8/62, 63, 64, 65, 66, 67, 68, 69, 70, 14;
D15/133, 138, 139, 140, 124, 125, 127; 29/239,
29/252; 30/228, 366; 72/392, 705; 81/186,
81/302, 349, 423, 383.5, 900; 254/93 H,
254/93 R; 403/378

See application file for complete search history.

(56) **References Cited**

U.S. PATENT DOCUMENTS

- 4,333,330 A * 6/1982 Porter 72/705
- 4,358,946 A * 11/1982 Gallart 72/705
- 4,392,263 A * 7/1983 Amoroso 30/228
- 4,531,289 A * 7/1985 Brick 30/228
- 4,729,141 A * 3/1988 Berg et al. 15/359
- 4,842,249 A * 6/1989 Weigand 254/93 R
- RE33,002 E * 8/1989 Brick 30/228
- 4,973,028 A * 11/1990 Linster 254/93 R
- D326,597 S * 6/1992 Lee D8/68
- 5,272,811 A * 12/1993 Armand 30/228
- 5,297,780 A * 3/1994 Hickerson 72/705
- 5,544,862 A * 8/1996 Hickerson 72/705
- 5,622,353 A * 4/1997 Painter et al. 254/93 R
- 5,956,992 A * 9/1999 Patton 72/392

- 6,000,680 A * 12/1999 Kimura et al. 254/93 R
- 6,244,568 B1 * 6/2001 Patton 254/93 H
- 6,267,354 B1 * 7/2001 Stephen 254/93 R
- 6,311,537 B1 * 11/2001 Vigil 72/392
- 6,389,870 B1 * 5/2002 Vigil 72/392
- 6,443,430 B1 * 9/2002 Eisterlehner 254/93 R
- 6,578,821 B1 * 6/2003 Lasaroff et al. 72/705
- D487,386 S * 3/2004 Clivio D8/70
- D492,949 S 7/2004 Kimura

FOREIGN PATENT DOCUMENTS

- JP 1025902 11/1998
- JP 1156122 10/2002

OTHER PUBLICATIONS

- U.S. Appl. No. 29/214,540, filed Oct. 5, 2004.
- U.S. Appl. No. 29/182,146, filed May 20, 2003.

* cited by examiner

Primary Examiner—Gary D. Watson
Assistant Examiner—T. Chase Nelson

(74) *Attorney, Agent, or Firm*—Leydig, Voit & Mayer, Ltd.

(57) **CLAIM**

The ornamental design for the lock opening device, as shown and described.

DESCRIPTION

FIG. 1 is a perspective view of the lock opening device; FIG. 2 is a front elevational view thereof; FIG. 3 is a rear elevational view thereof; FIG. 4 is a left side elevational view thereof; FIG. 5 is a right side elevational view thereof; FIG. 6 is a top plan view thereof; FIG. 7 is a bottom plan view thereof; and, FIG. 8 is a top plan view of the work end part of the device in an open position.

1 Claim, 2 Drawing Sheets

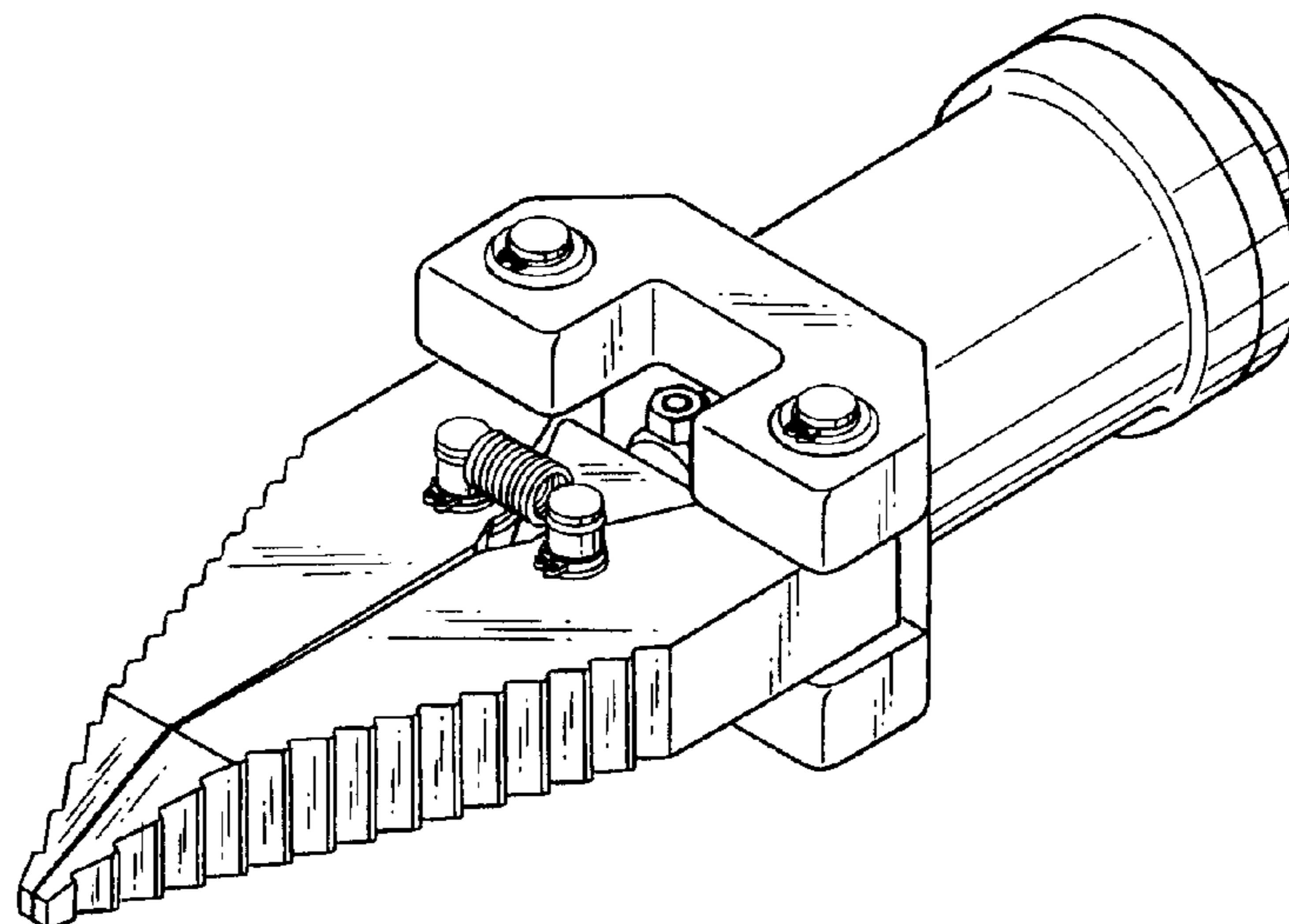


FIG. 1

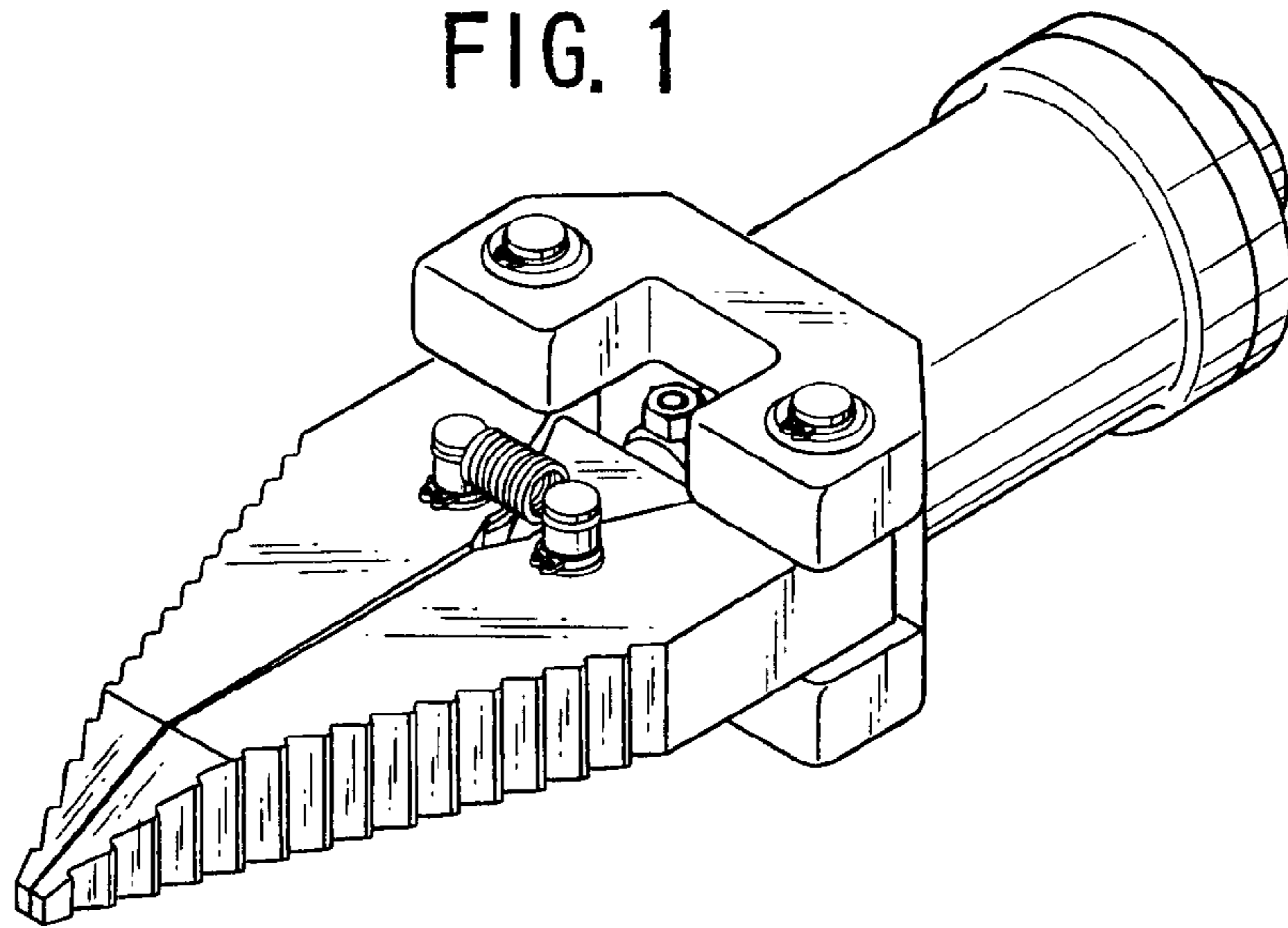


FIG. 2

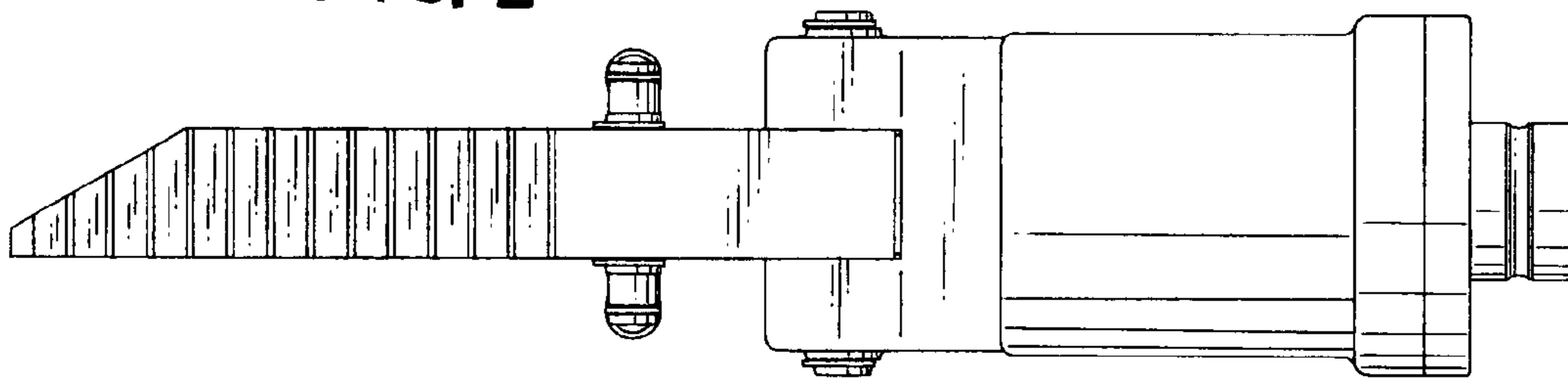


FIG. 3

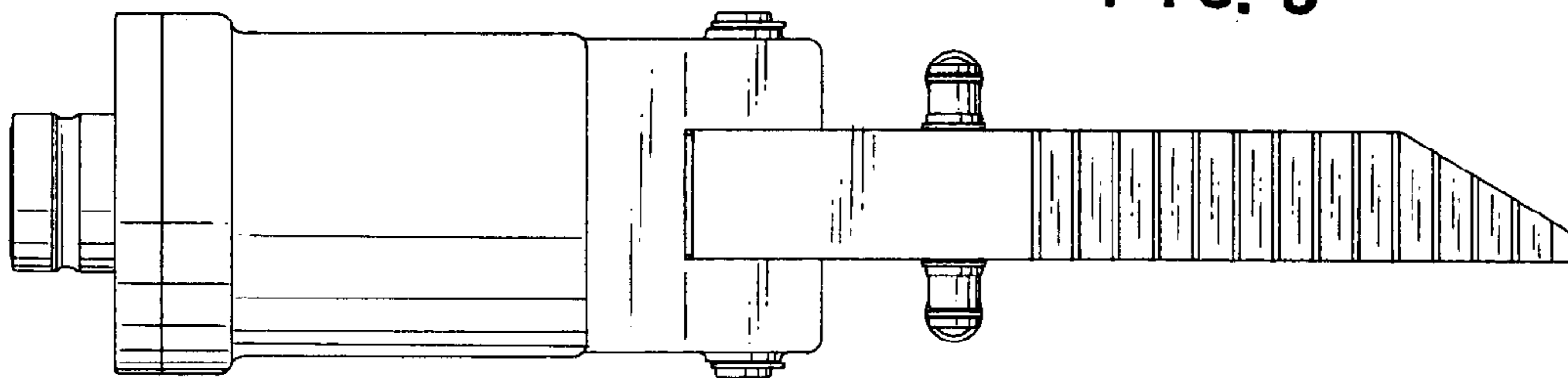


FIG. 4

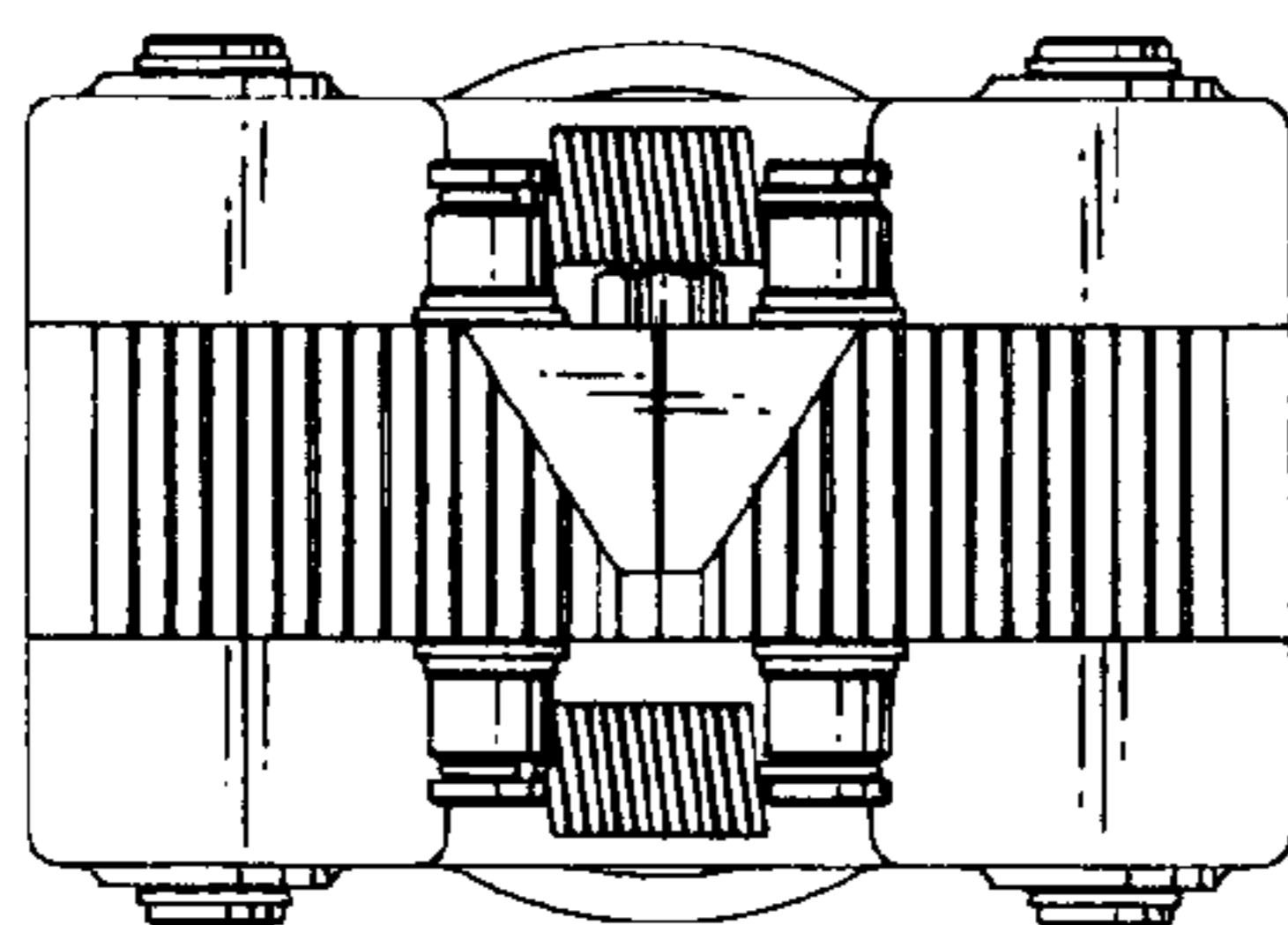


FIG. 5

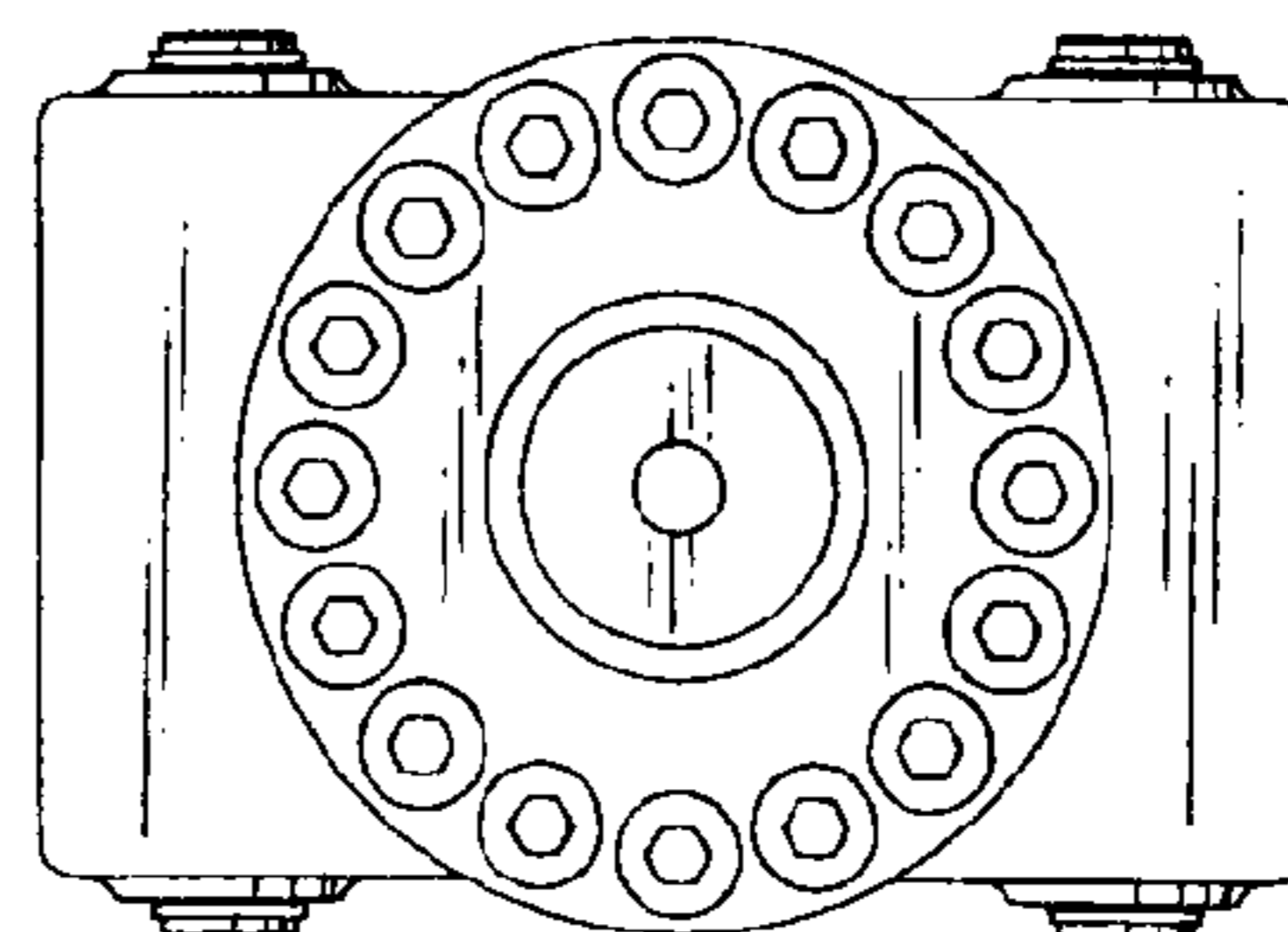


FIG. 6

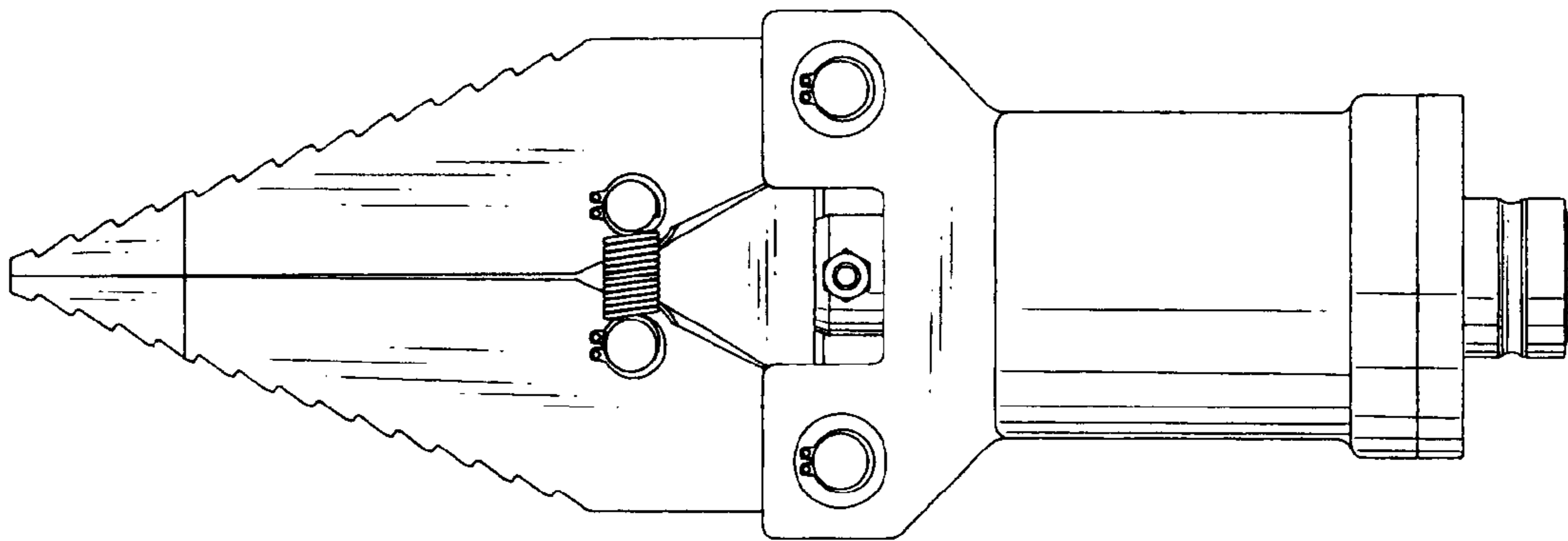


FIG. 7

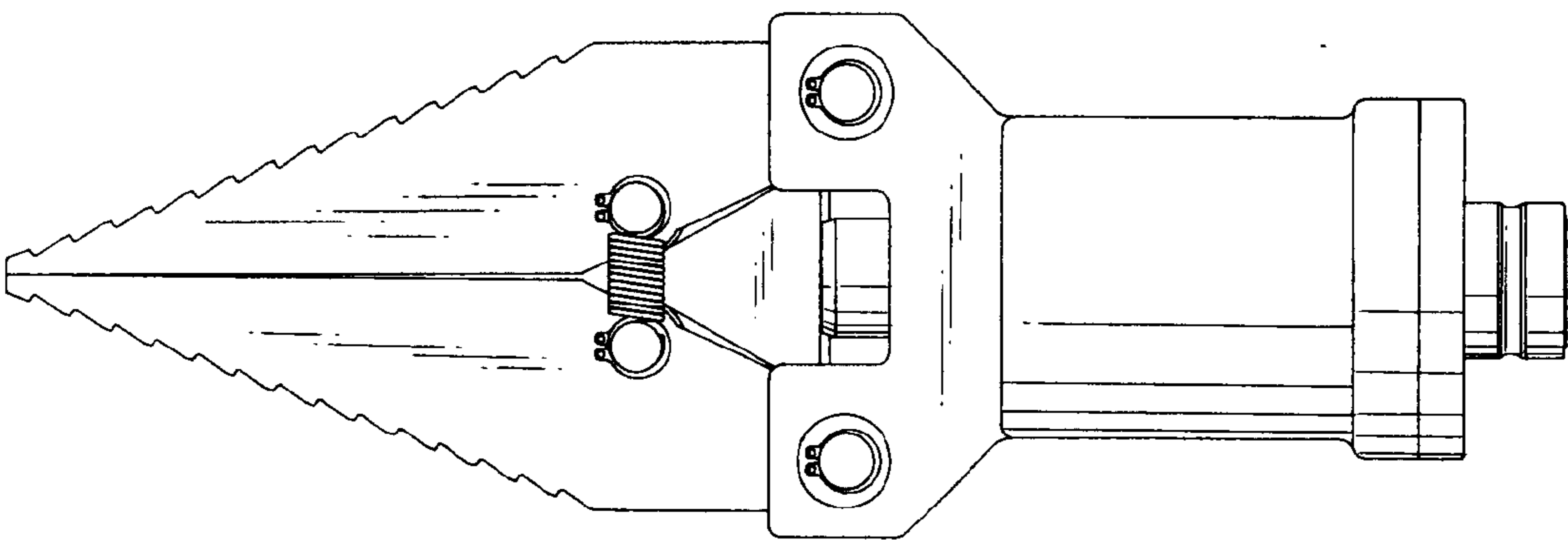


FIG. 8

