



US00D521338S

(12) **United States Design Patent** (10) **Patent No.:** **US D521,338 S**  
**Wai** (45) **Date of Patent:** **\*\* May 23, 2006**

(54) **IMPACT DRILL**  
(75) Inventor: **Chung Ka Wai**, Tuen Mun (HK)  
(73) Assignee: **Eastway Fair Company Limited**,  
Tortola (VG)  
(\*\*) Term: **14 Years**  
(21) Appl. No.: **29/236,701**  
(22) Filed: **Aug. 17, 2005**  
(51) **LOC (8) Cl.** ..... **08-01**  
(52) **U.S. Cl.** ..... **D8/68**  
(58) **Field of Classification Search** ..... D8/14.1,  
D8/61, 62, 63, 64, 65, 66, 67, 68, 69, 70;  
81/57.11, 429, 464, 465, 466, 469, 489; 173/13,  
173/169, 178, 213, 217, 114, 201, 211; 227/8,  
227/114, 120, 130, 136, 142; 408/20, 124,  
408/125, 234, 241 R; 451/358; 310/50  
See application file for complete search history.

D474,953 S \* 5/2003 Santarsiero et al. .... D8/68  
6,702,530 B1 \* 3/2004 Bennage et al. .... 408/241 R  
D490,677 S 6/2004 Chung et al.  
D491,438 S 6/2004 Cheung et al.  
D496,573 S \* 9/2004 Cooper ..... D8/68  
2003/0165366 A1 \* 9/2003 Bennage et al. .... 408/241 R

**FOREIGN PATENT DOCUMENTS**

GB 2070770 S \* of 1899

\* cited by examiner

*Primary Examiner*—Gary D. Watson  
*Assistant Examiner*—T. Chase Nelson

(74) *Attorney, Agent, or Firm*—Brinks Hofer Gilson & Lione

(57) **CLAIM**

I claim the ornamental design for an impact drill, as shown and described.

**DESCRIPTION**

FIG. 1 is a top perspective view of first embodiment of an impact drill of the present invention;  
FIG. 2 is a first side view thereof;  
FIG. 3 is a second side view thereof;  
FIG. 4 is a top view thereof;  
FIG. 5 is a bottom view thereof;  
FIG. 6 is a front view thereof;  
FIG. 7 is a rear view thereof;  
FIG. 8 is a top perspective view of a second embodiment of an impact drill of the present invention;  
FIG. 9 is a first side view thereof;  
FIG. 10 is a second side view thereof;  
FIG. 11 is a top view thereof;  
FIG. 12 is a bottom view thereof;  
FIG. 13 is a front view thereof;  
FIG. 14 is a rear view thereof;  
FIG. 15 is a top perspective view of a third embodiment of an impact drill of the present invention;  
FIG. 16 is a first side view thereof;  
FIG. 17 is a second side view thereof;  
FIG. 18 is a top view thereof;  
FIG. 19 is a bottom view thereof;  
FIG. 20 is a front view thereof;

(56) **References Cited**

**U.S. PATENT DOCUMENTS**

D37,994 S 5/1906 Tower  
D246,946 S \* 1/1978 Schultz ..... D8/68  
D256,771 S \* 9/1980 Kitagawa et al. .... D8/68  
D294,001 S 2/1988 Greenlee et al.  
4,723,582 A 2/1988 Caspall  
D301,968 S \* 7/1989 Kmetz ..... D8/68  
4,951,846 A 8/1990 Oster et al.  
D326,400 S 5/1992 Fushiya et al.  
D326,598 S \* 6/1992 Sakamoto et al. .... D8/68  
D377,894 S 2/1997 Sung  
D400,074 S \* 10/1998 Cooper ..... D8/68  
D404,276 S 1/1999 Ghode et al.  
D415,002 S 10/1999 Rogers et al.  
5,984,022 A \* 11/1999 Harman et al. .... 173/178  
D467,482 S \* 12/2002 Kunz et al. .... D8/68  
D467,781 S \* 12/2002 Kunz et al. .... D8/68  
D468,615 S 1/2003 Kanzawa  
D470,027 S \* 2/2003 Chunn et al. .... D8/68  
D470,378 S \* 2/2003 Chunn et al. .... D8/68  
D471,419 S \* 3/2003 Chunn et al. .... D8/68  
D471,781 S 3/2003 Heun

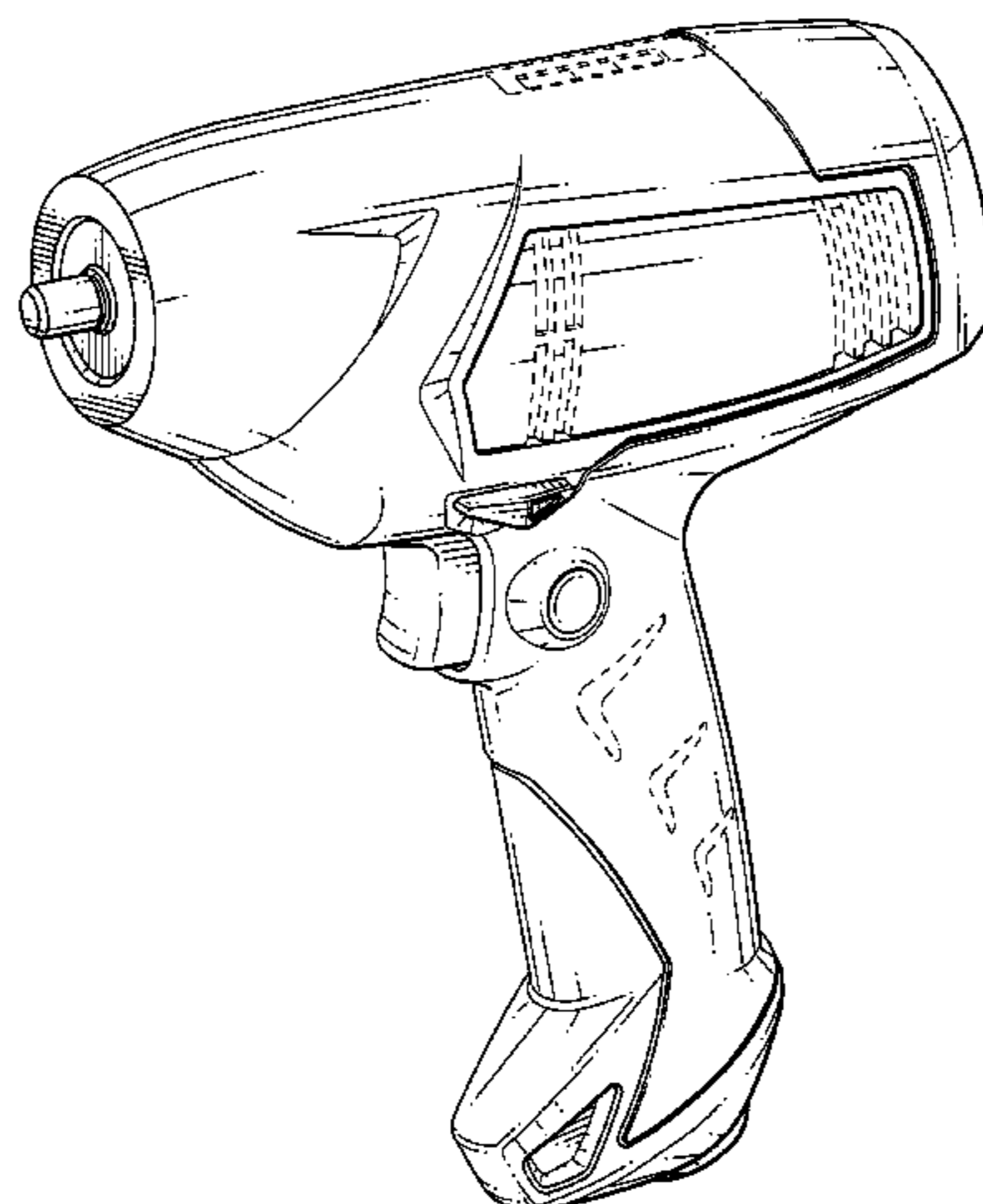


FIG. 21 is a rear view thereof;  
FIG. 22 is a top perspective view of a fourth embodiment of an impact drill of the present invention;  
FIG. 23 is a first side view thereof;  
FIG. 24 is a second side view thereof;  
FIG. 25 is a top view thereof;  
FIG. 26 is a bottom view thereof;

FIG. 27 is a front view thereof; and,  
FIG. 28 is a rear view thereof.  
Any broken lines in the drawings are for illustrative purposes only and form no part of the claimed design.

**1 Claim, 20 Drawing Sheets**

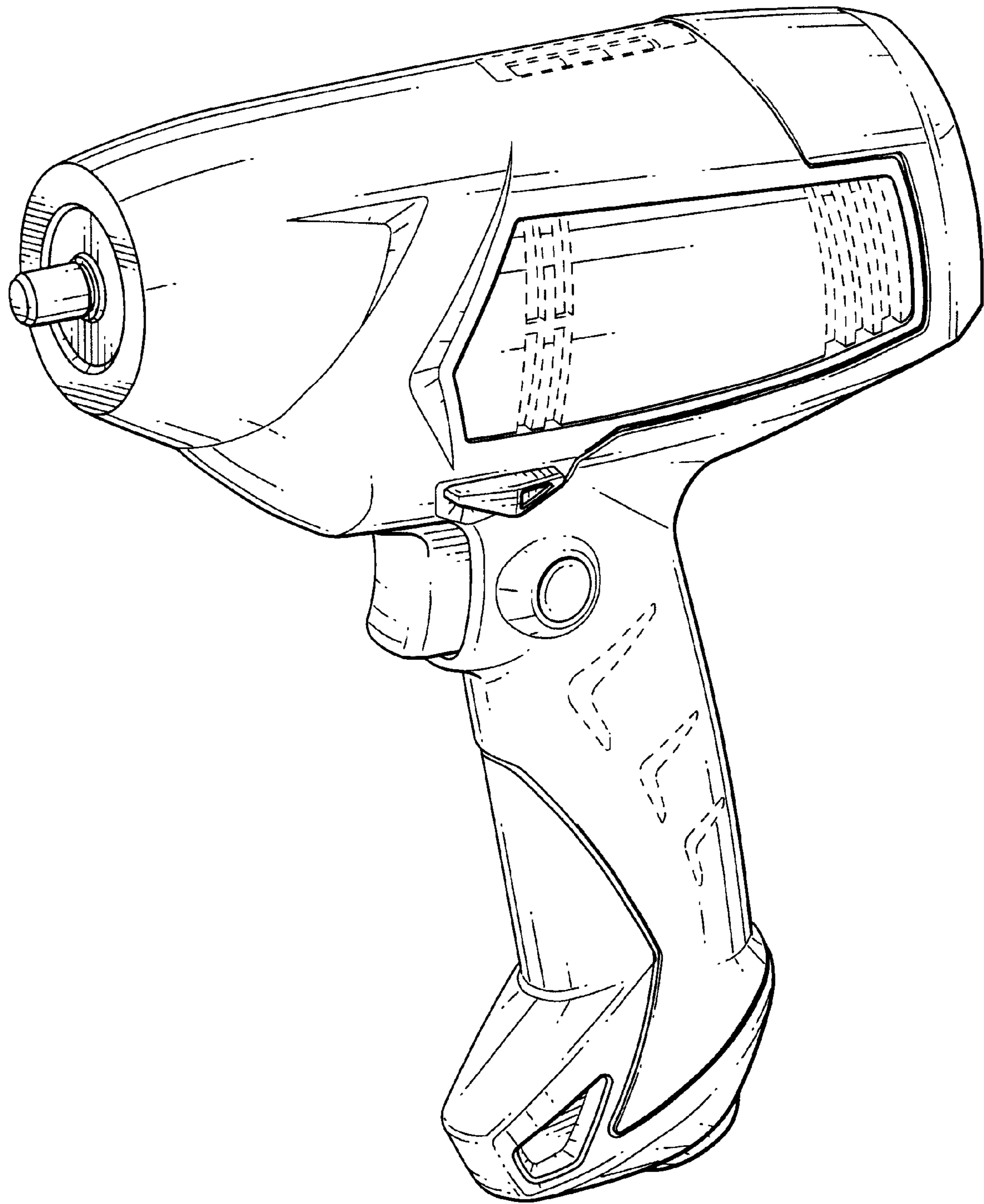


FIG. 1

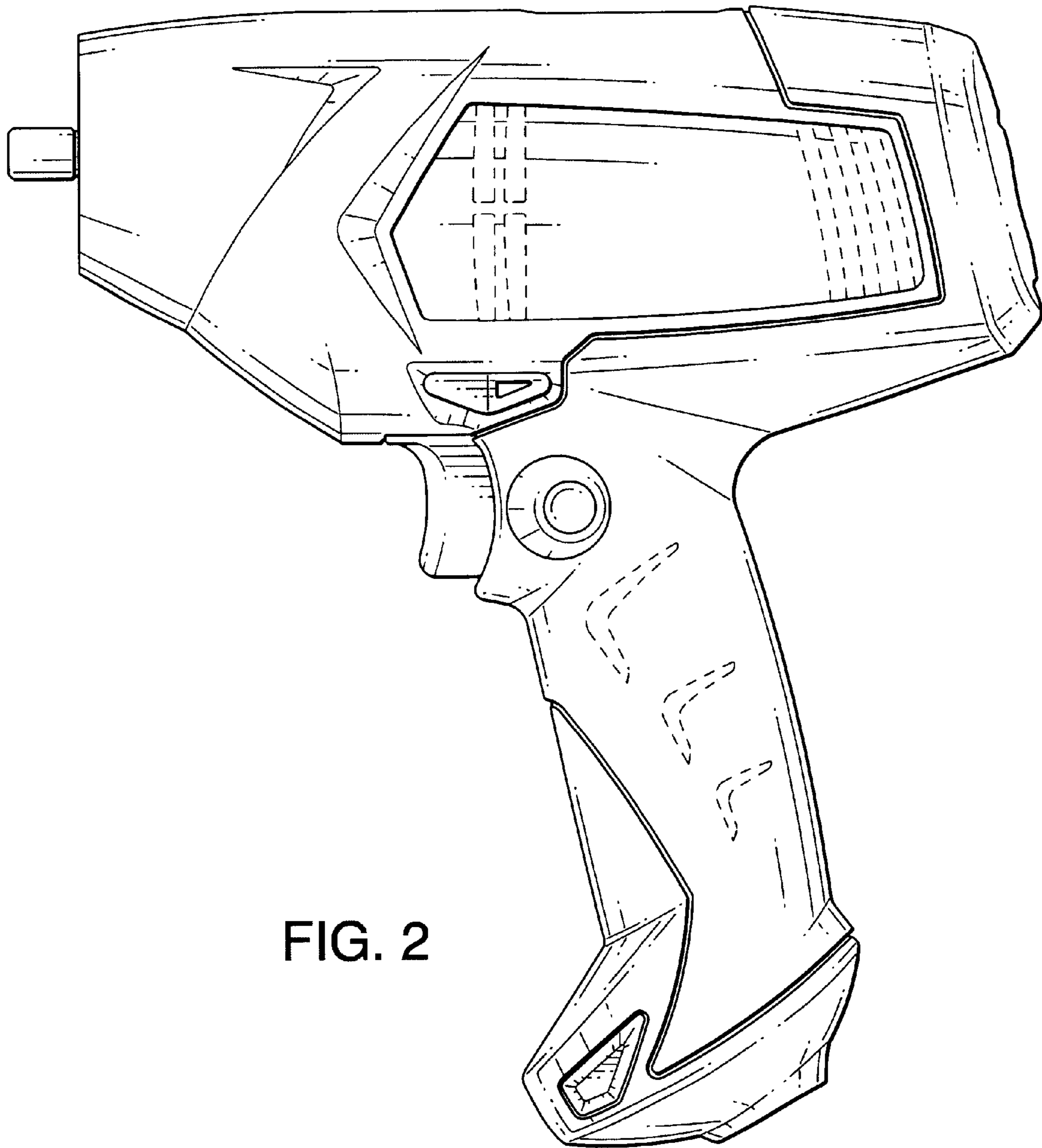


FIG. 2



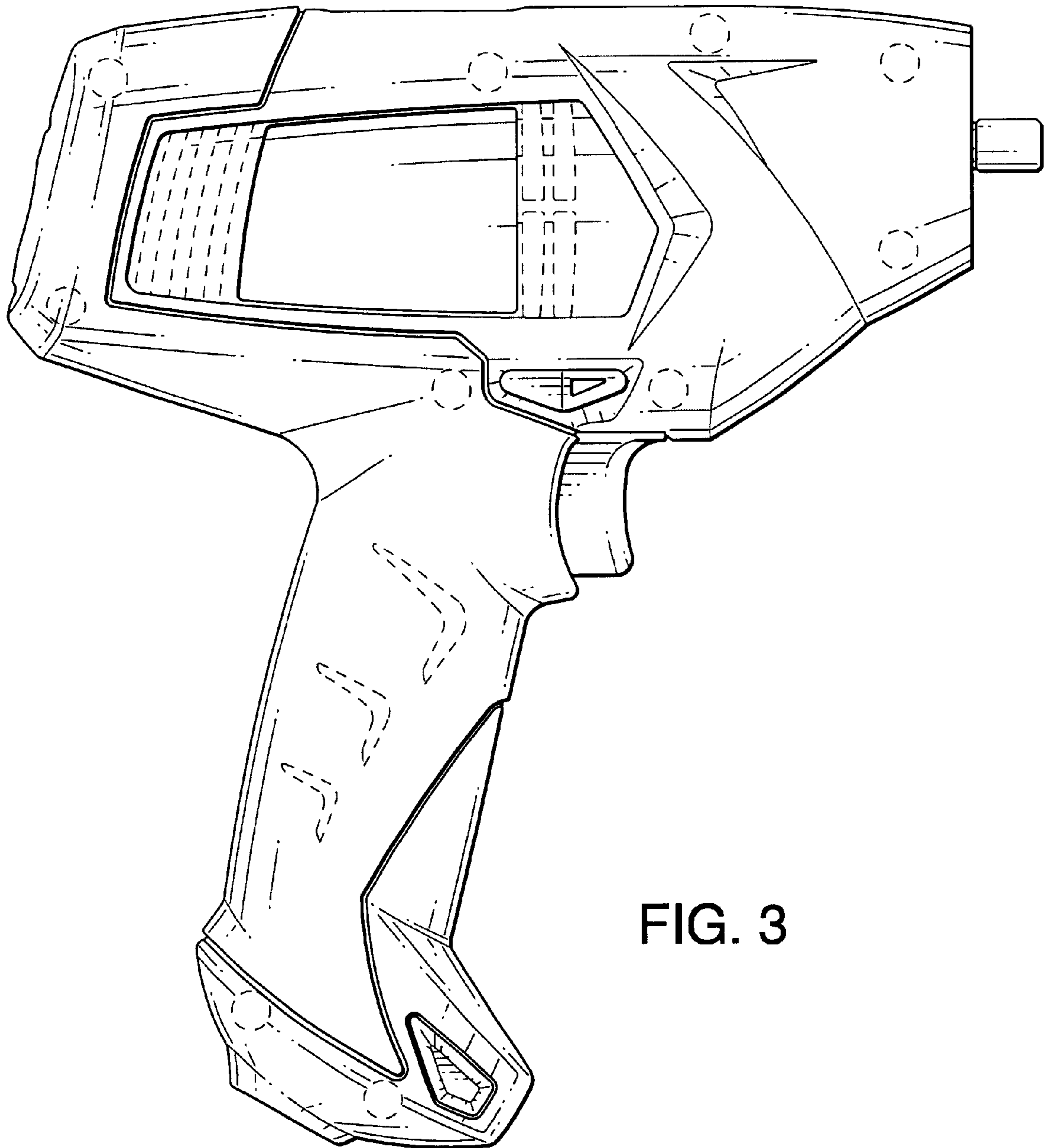


FIG. 3

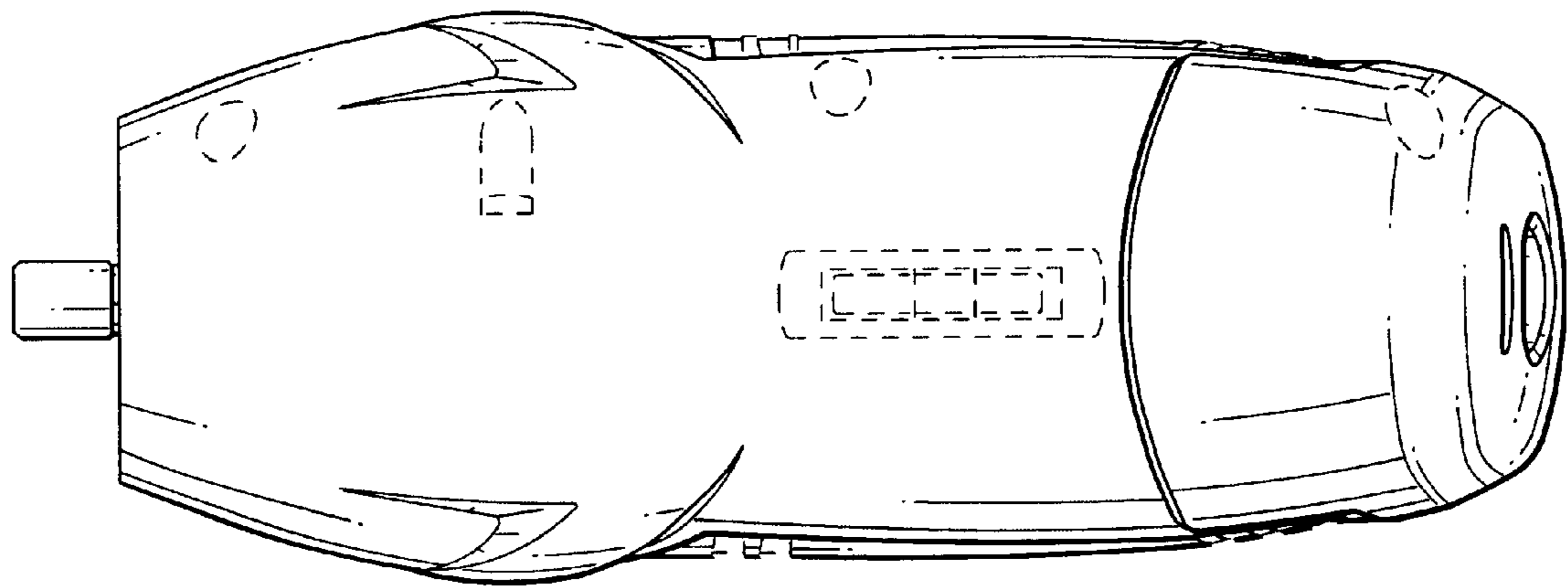


FIG. 4

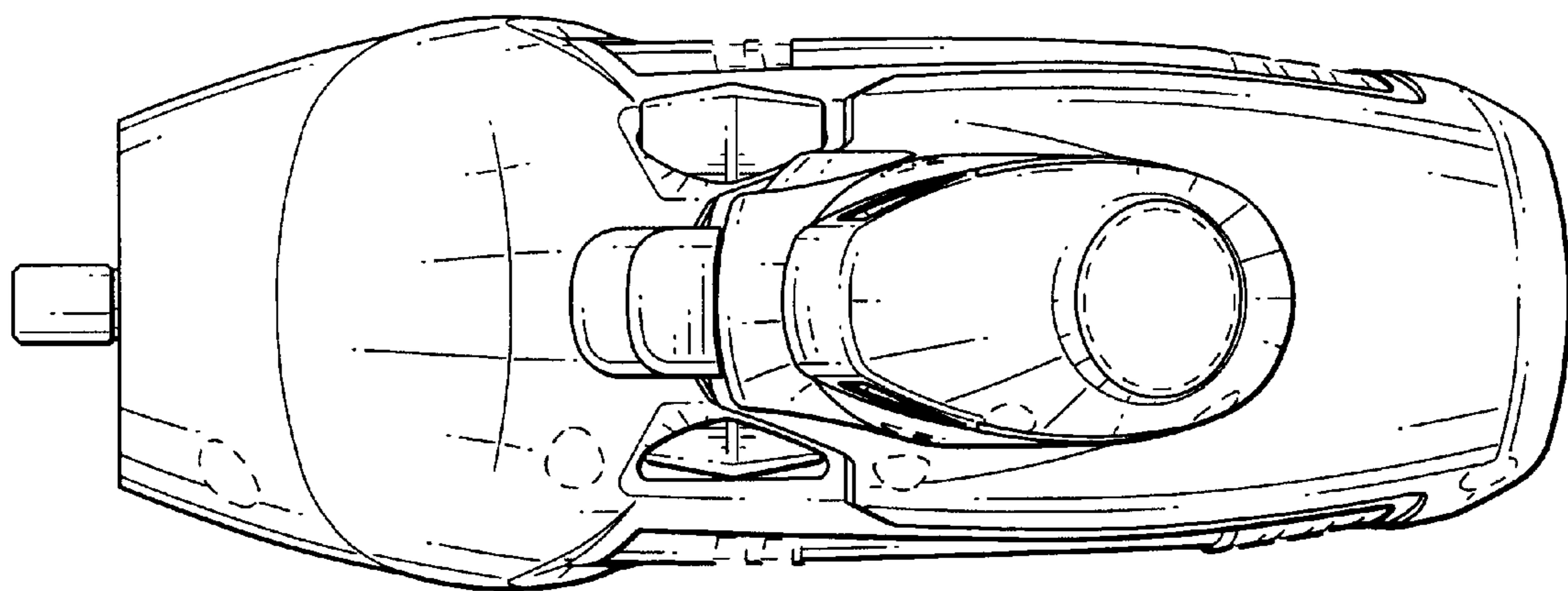


FIG. 5

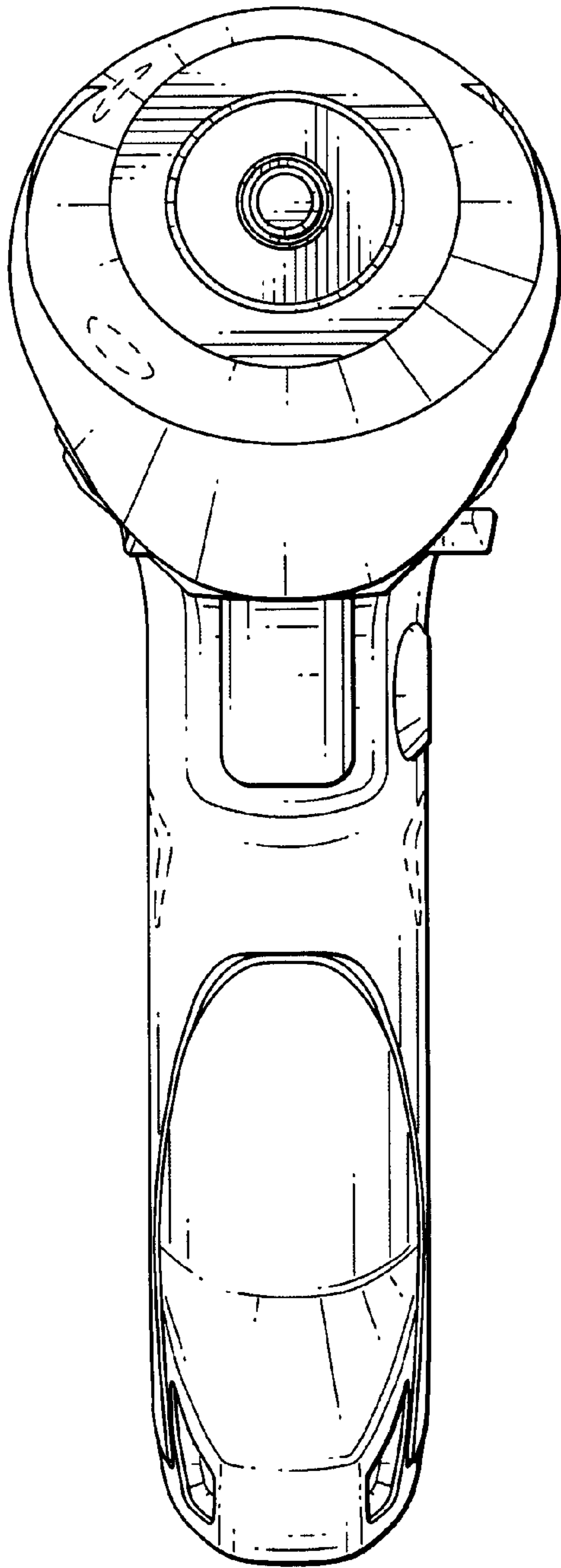


FIG. 6

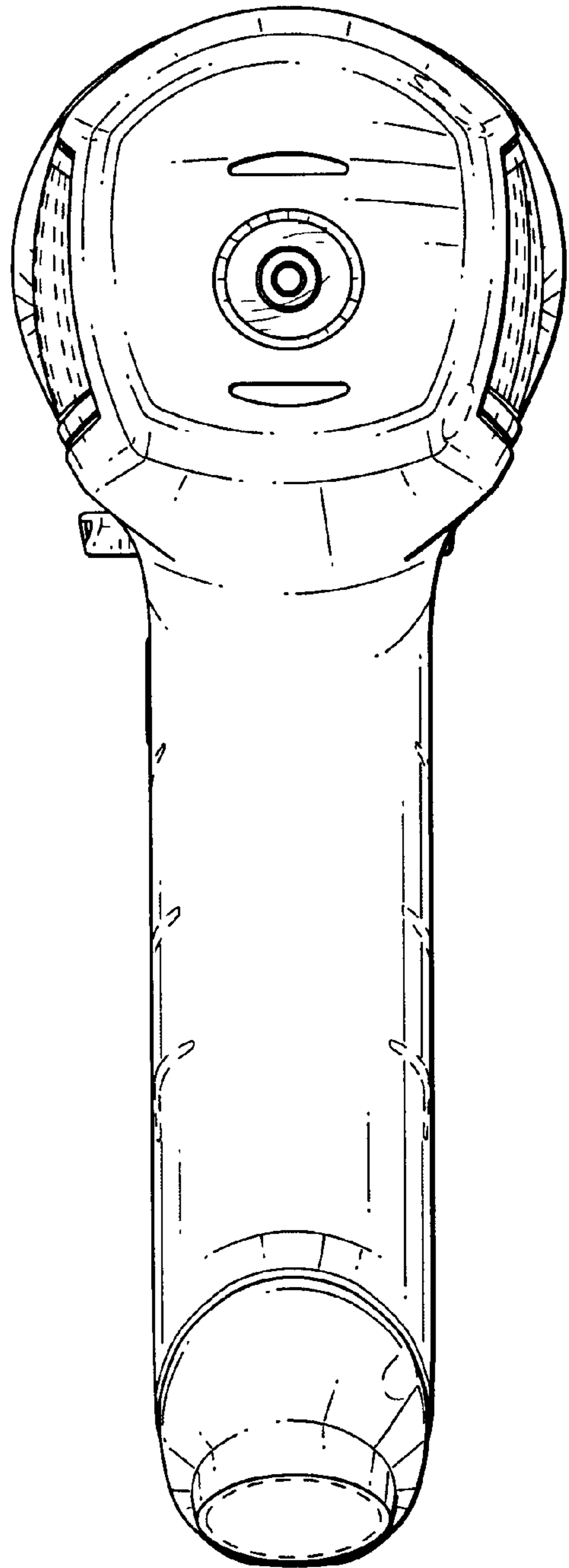


FIG. 7

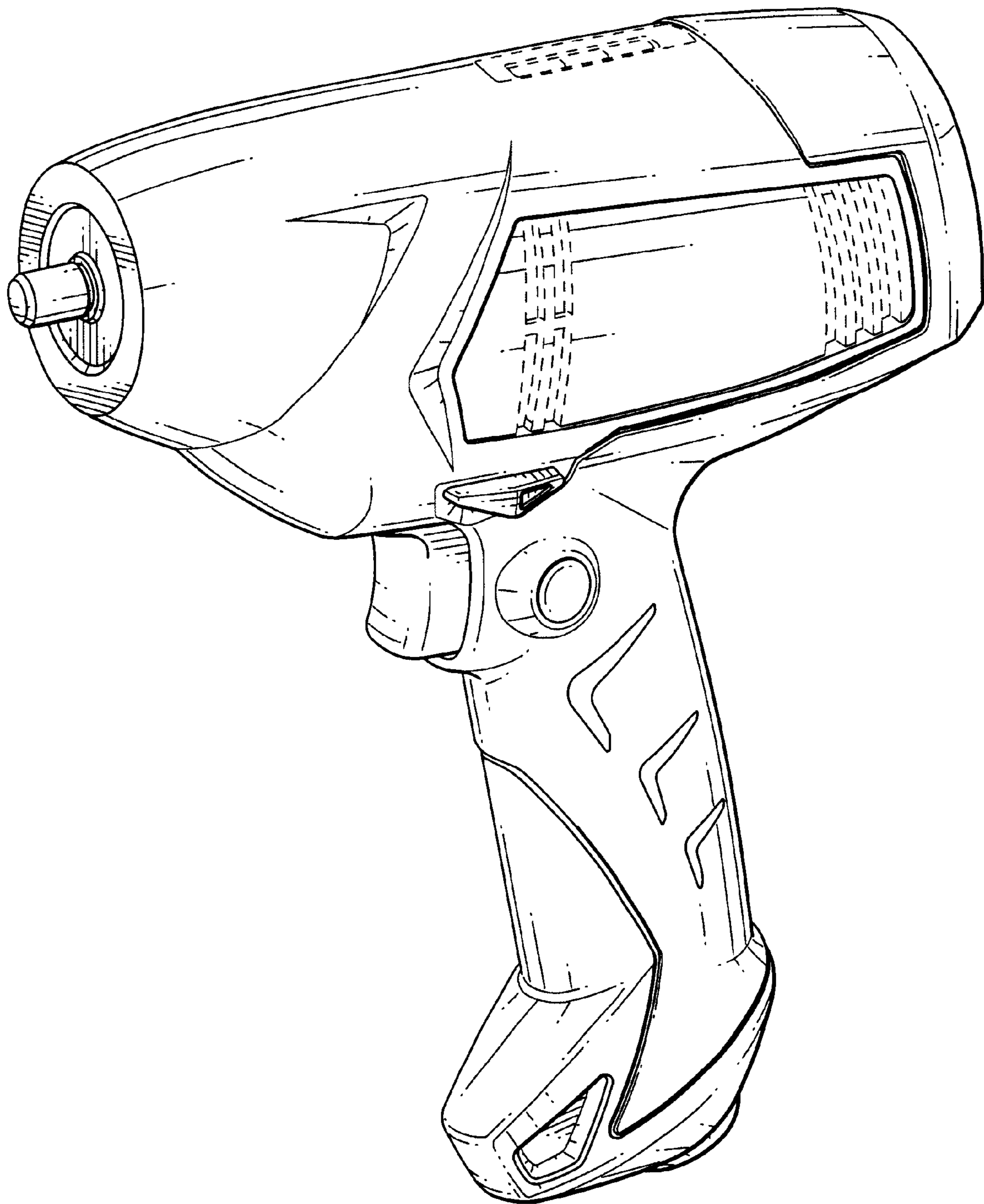


FIG. 8



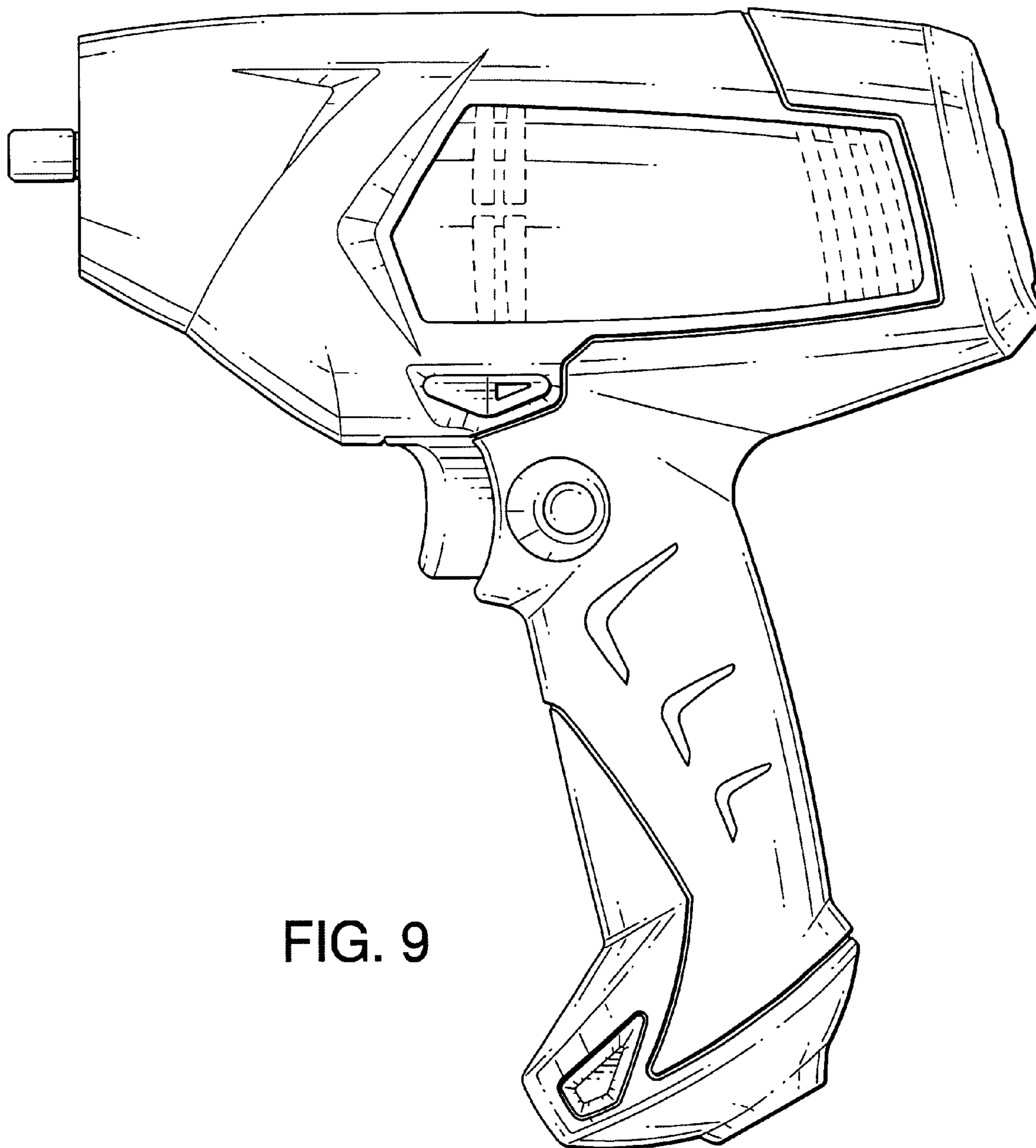


FIG. 9

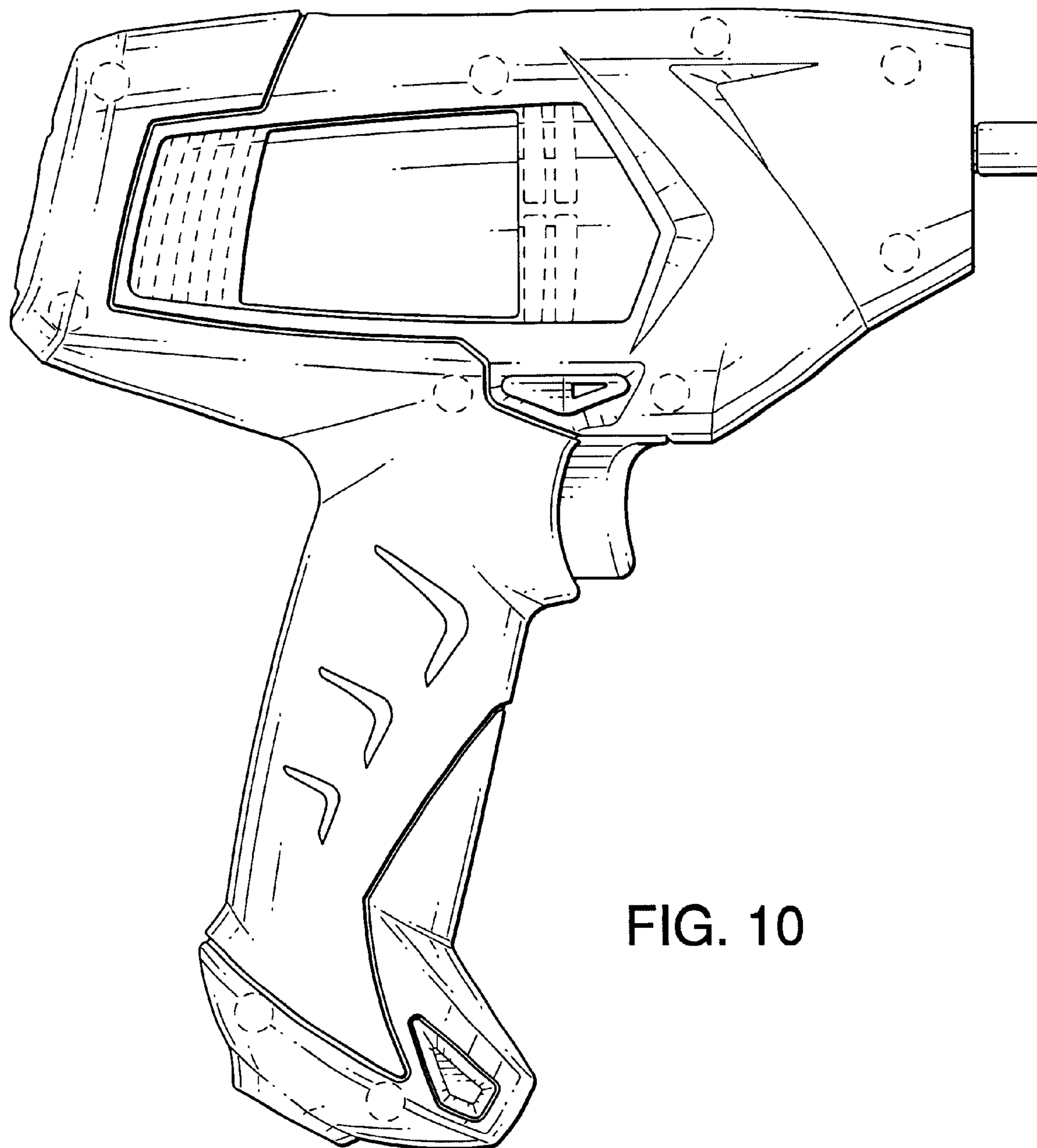


FIG. 10

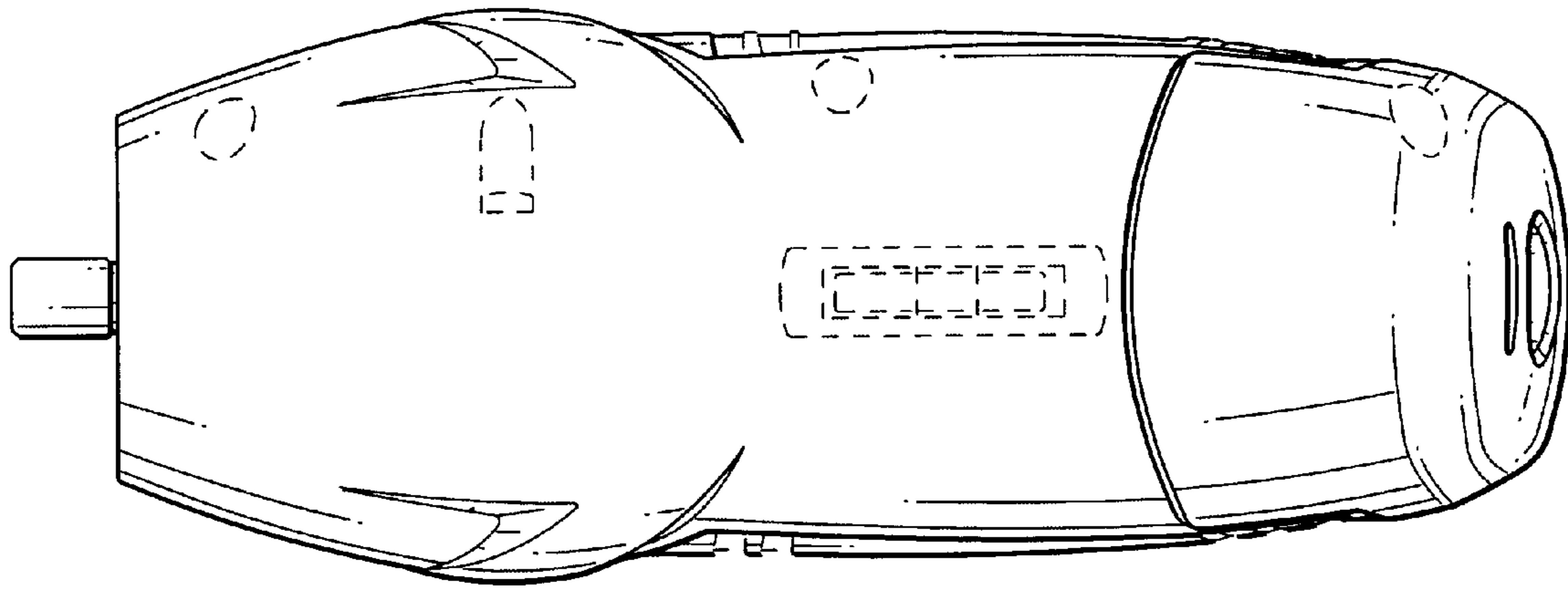


FIG. 11

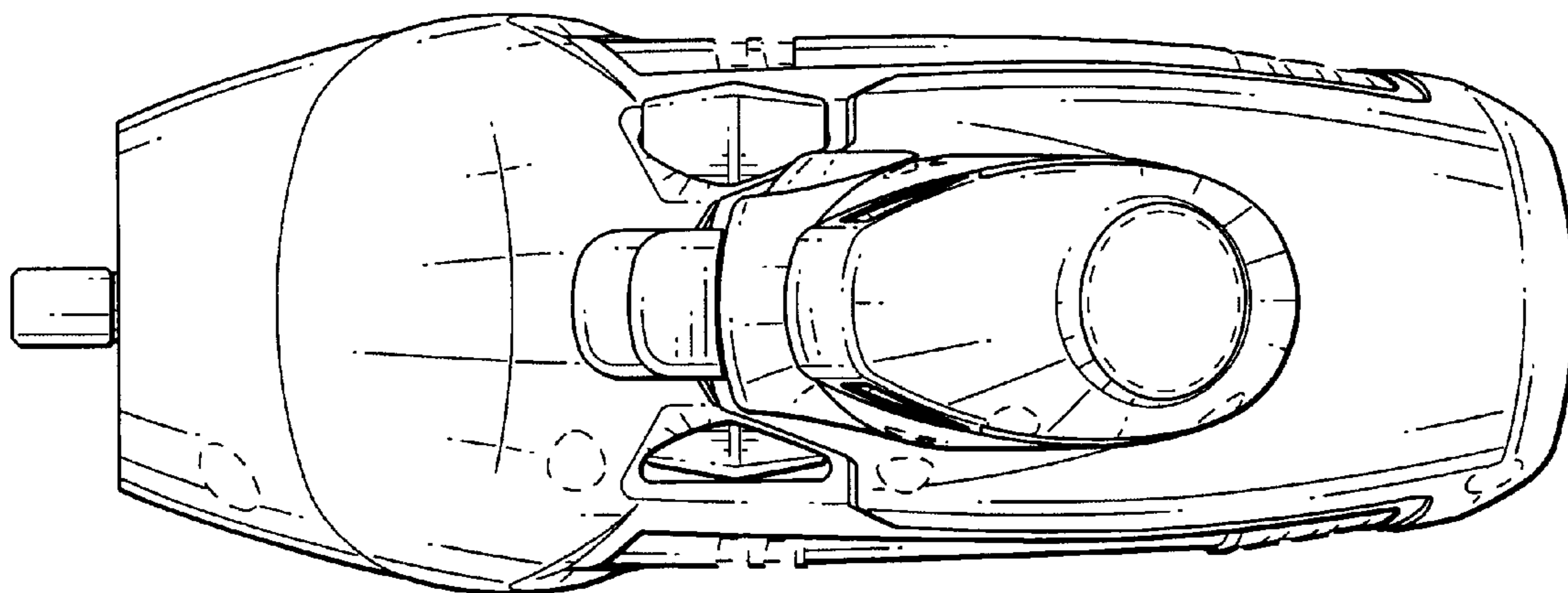


FIG. 12

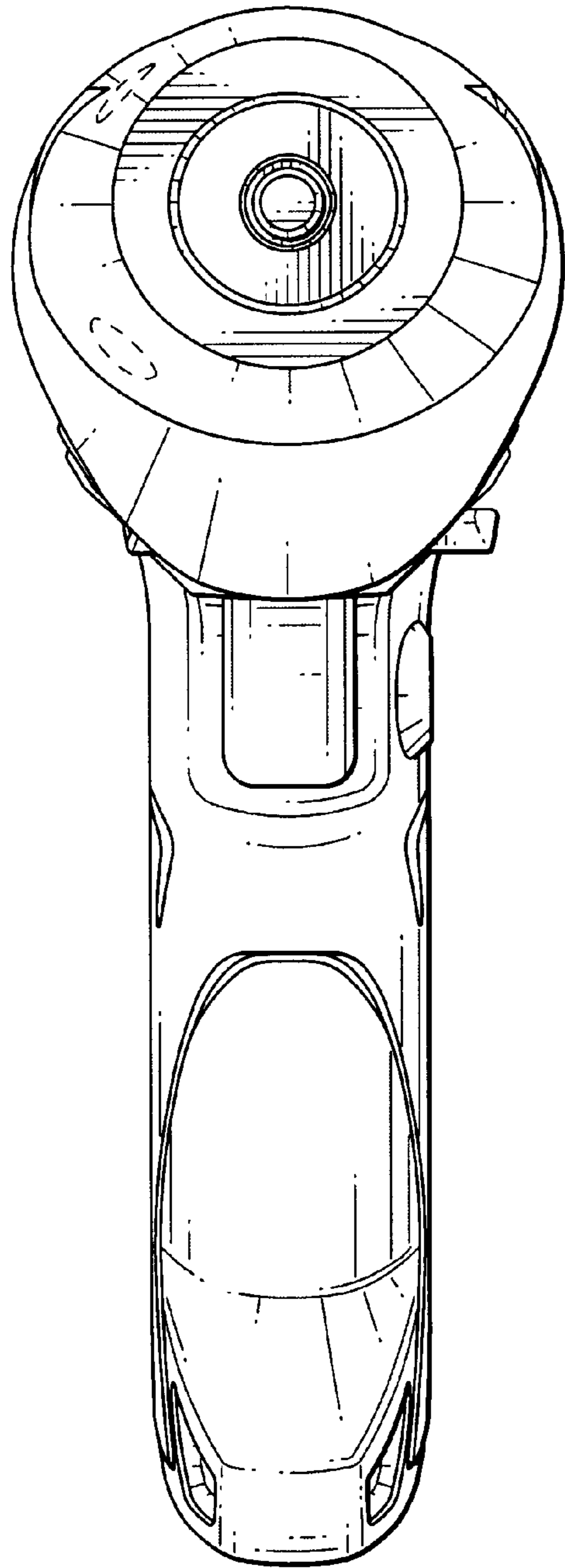


FIG. 13

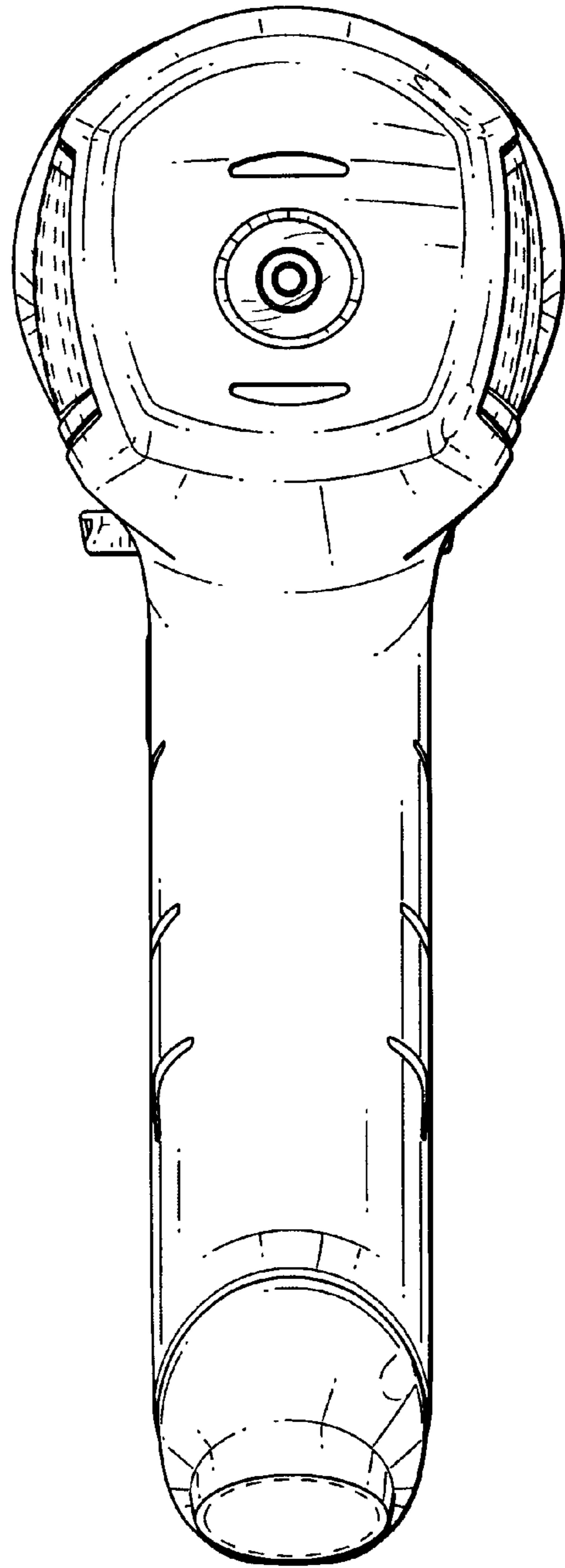


FIG. 14

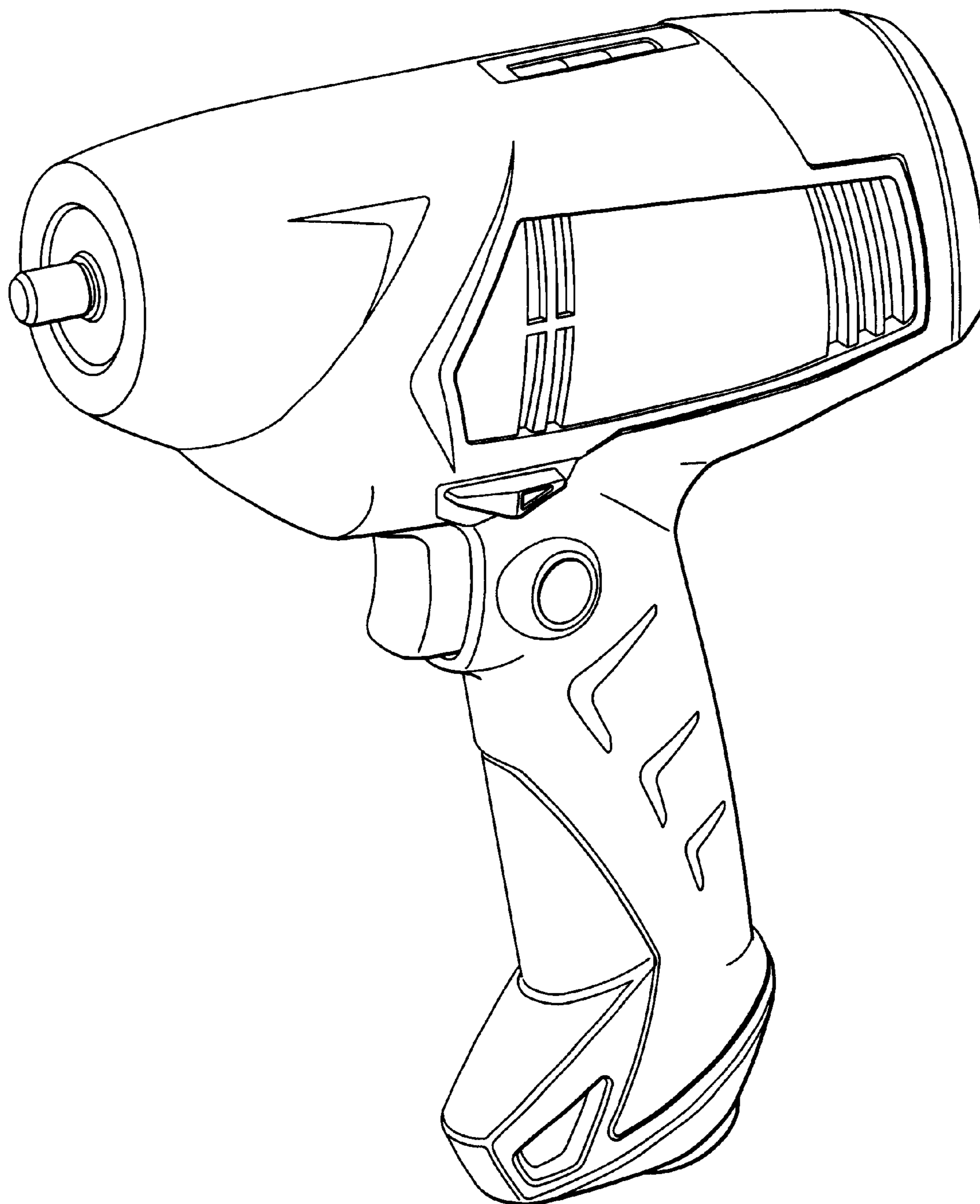


FIG. 15



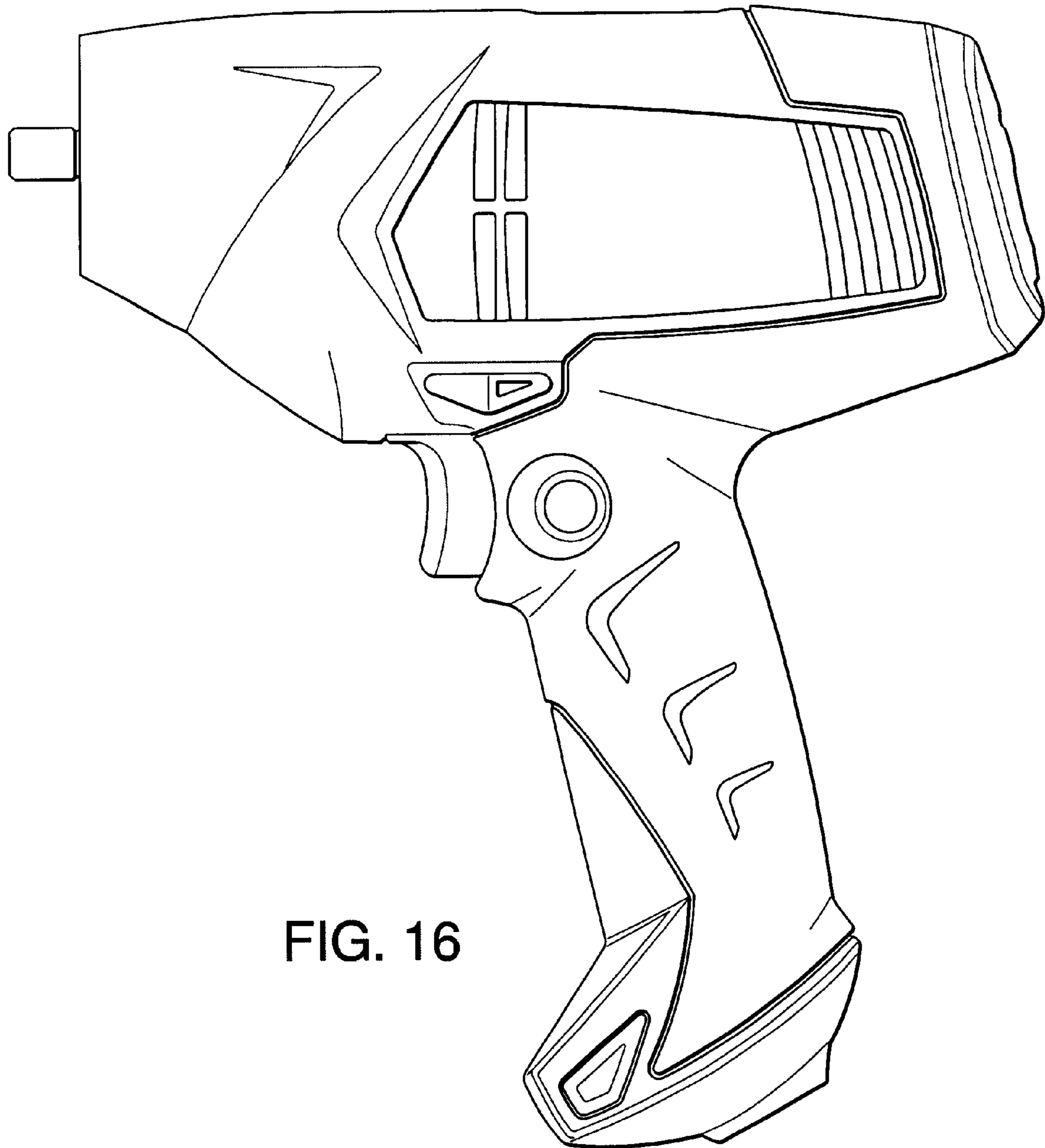


FIG. 16

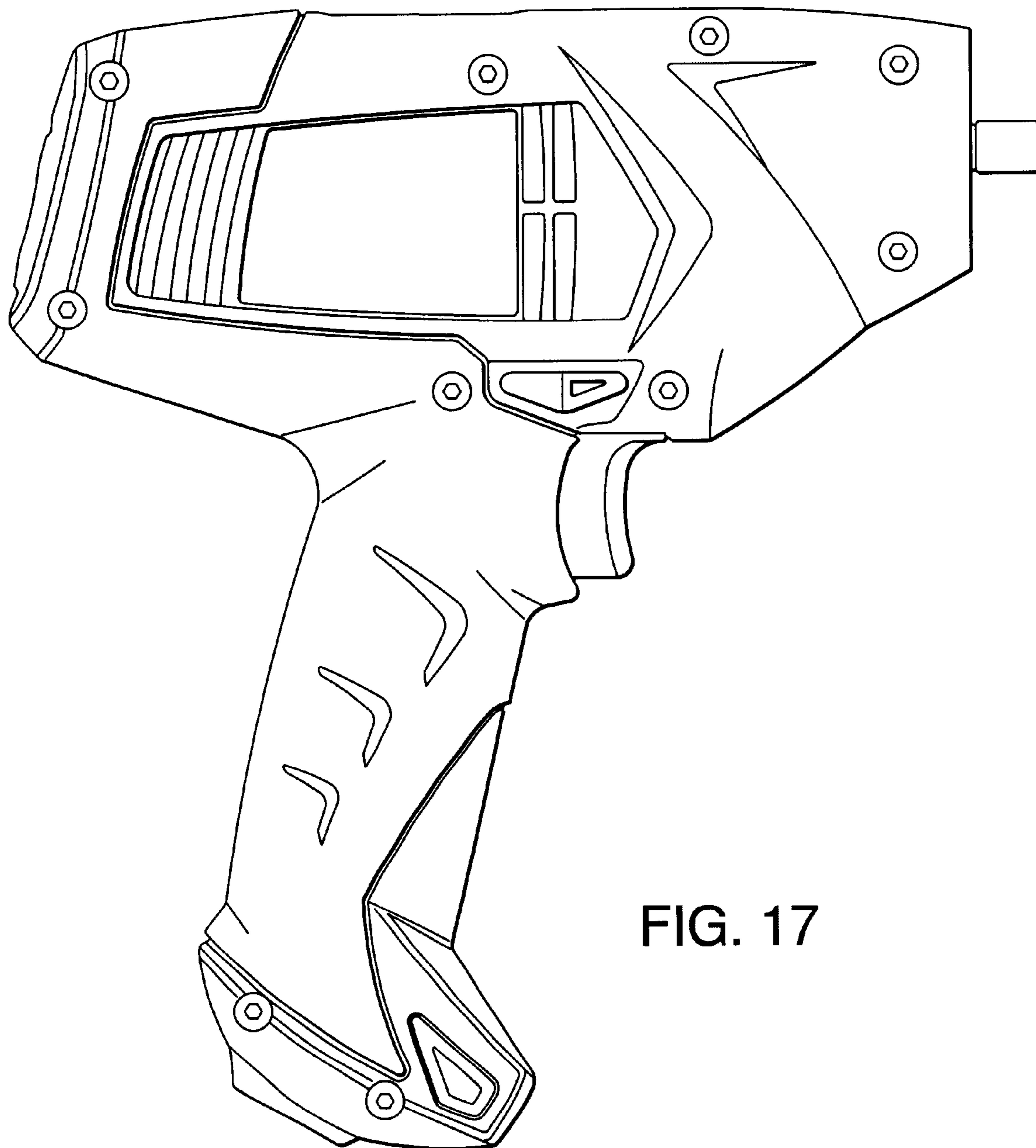


FIG. 17

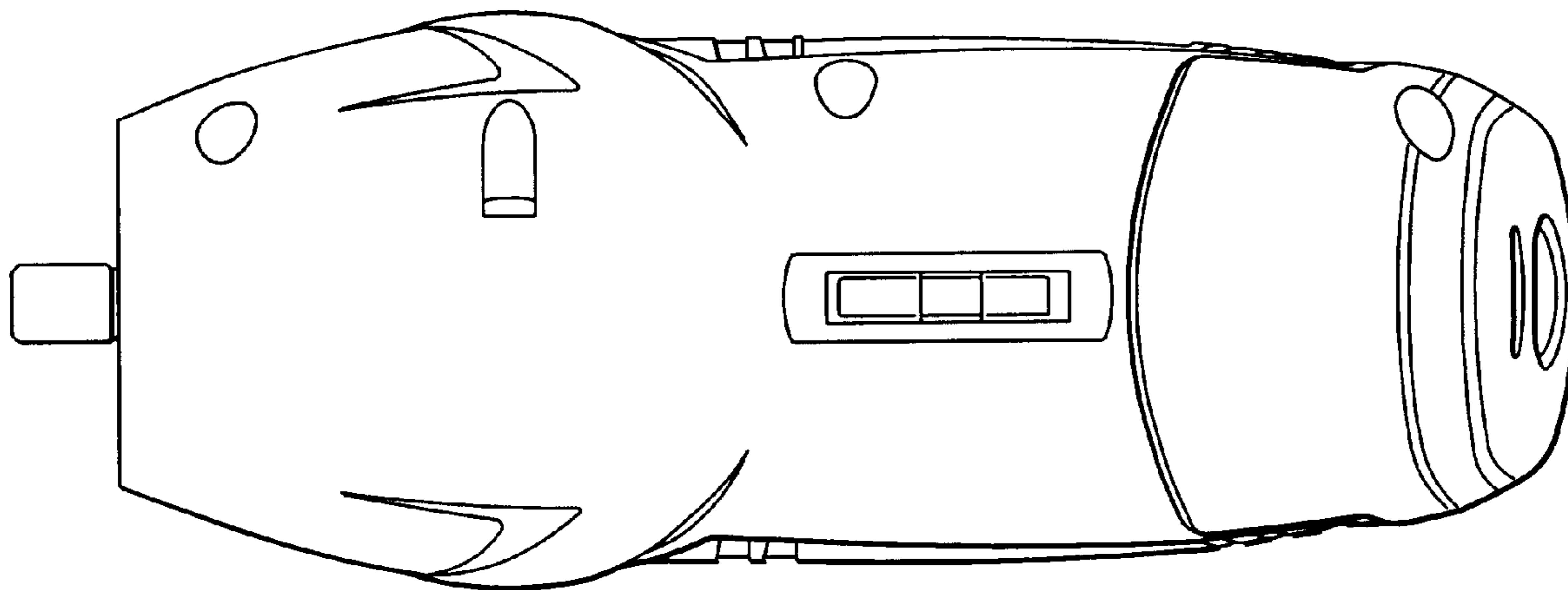


FIG. 18

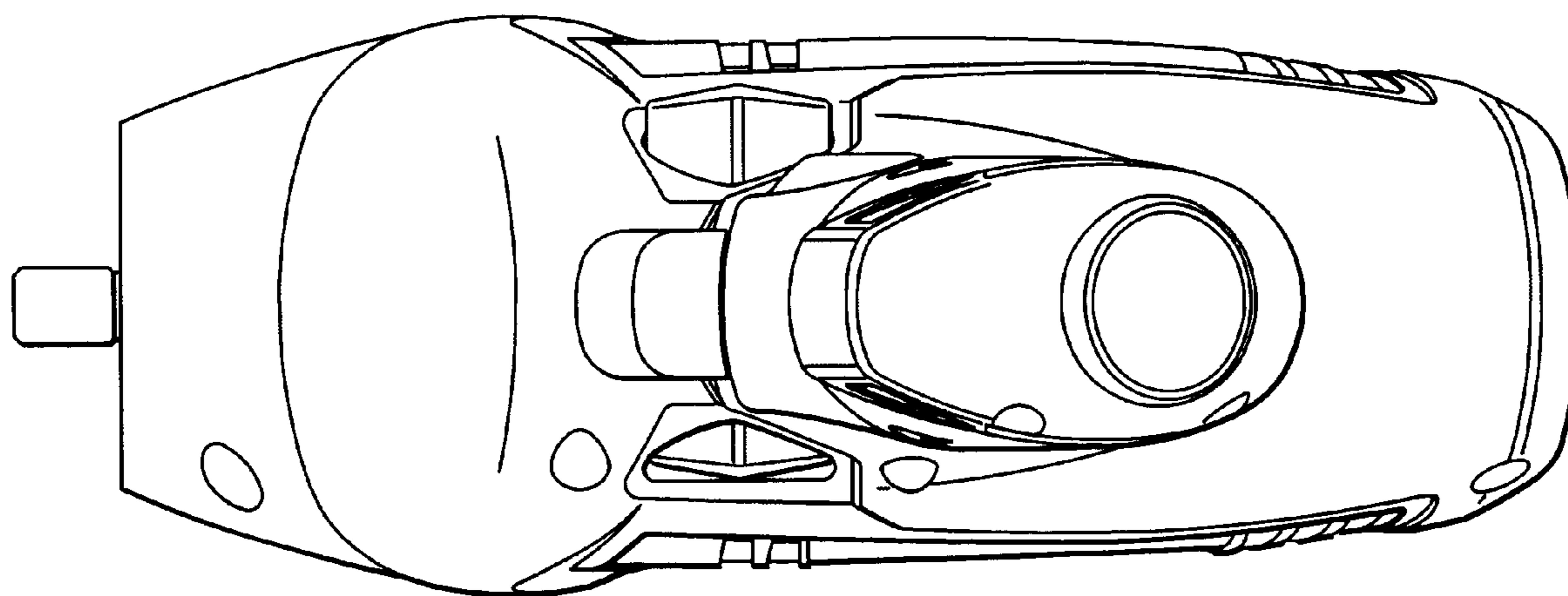


FIG. 19

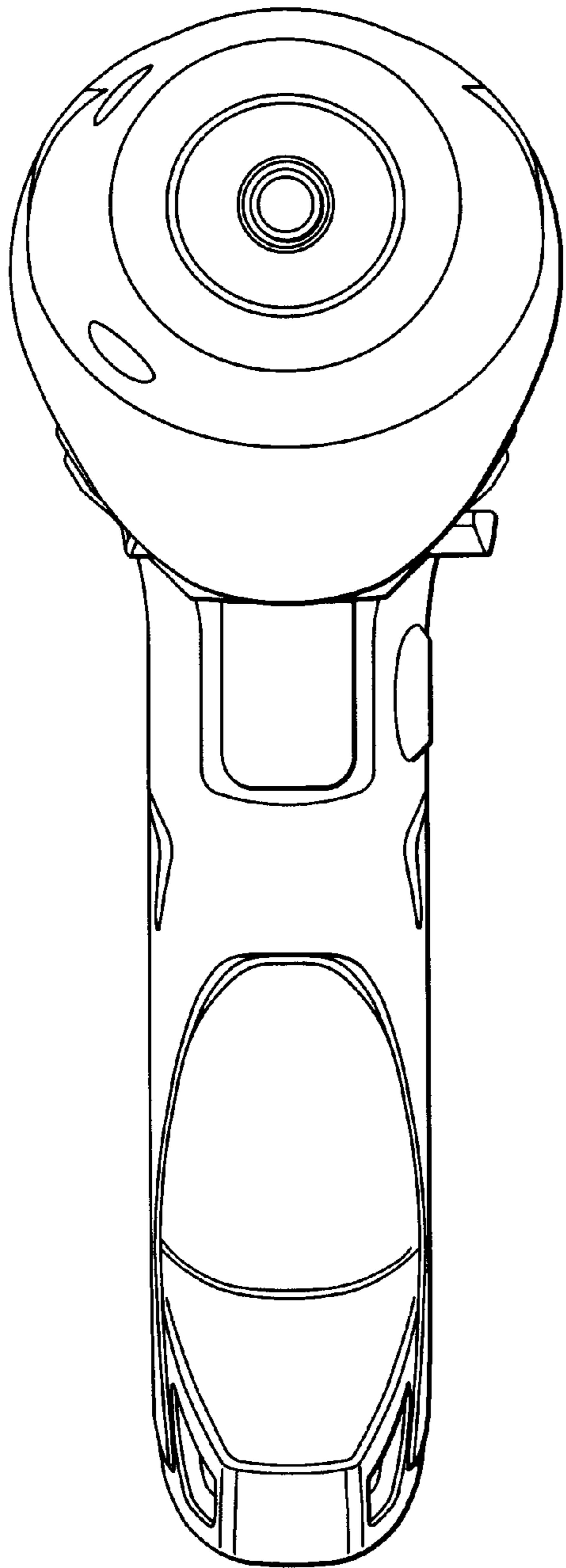


FIG. 20

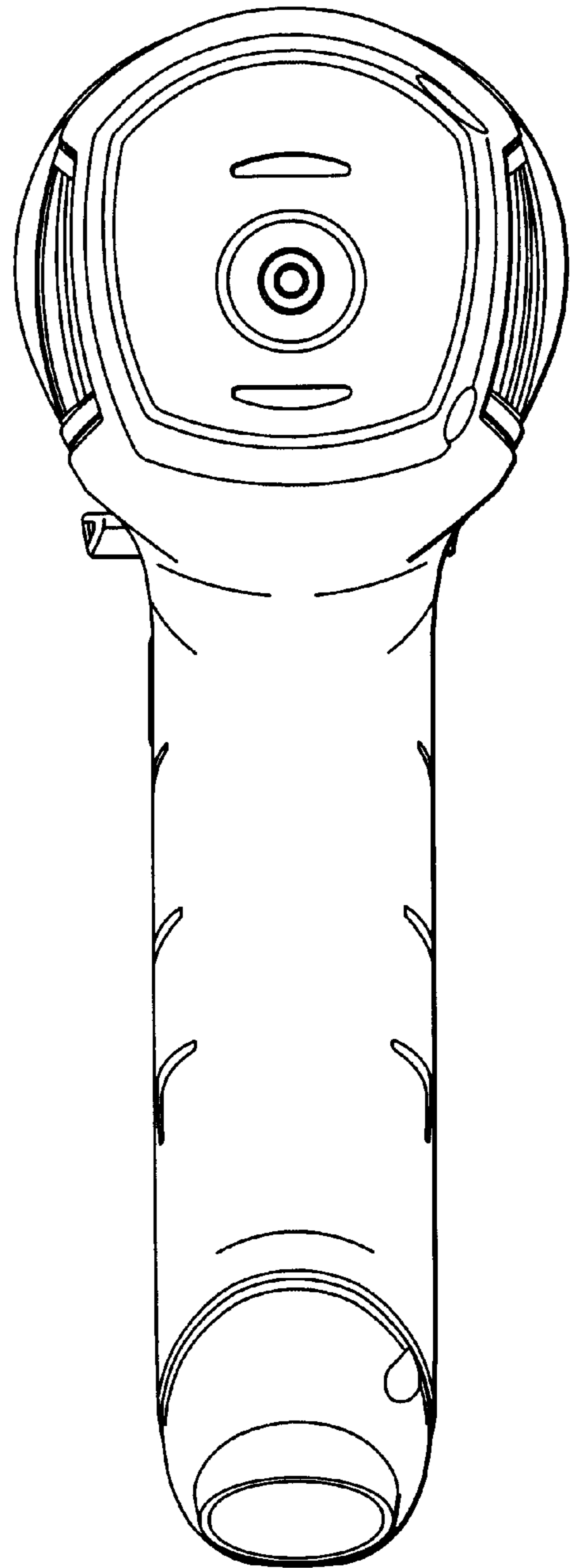


FIG. 21

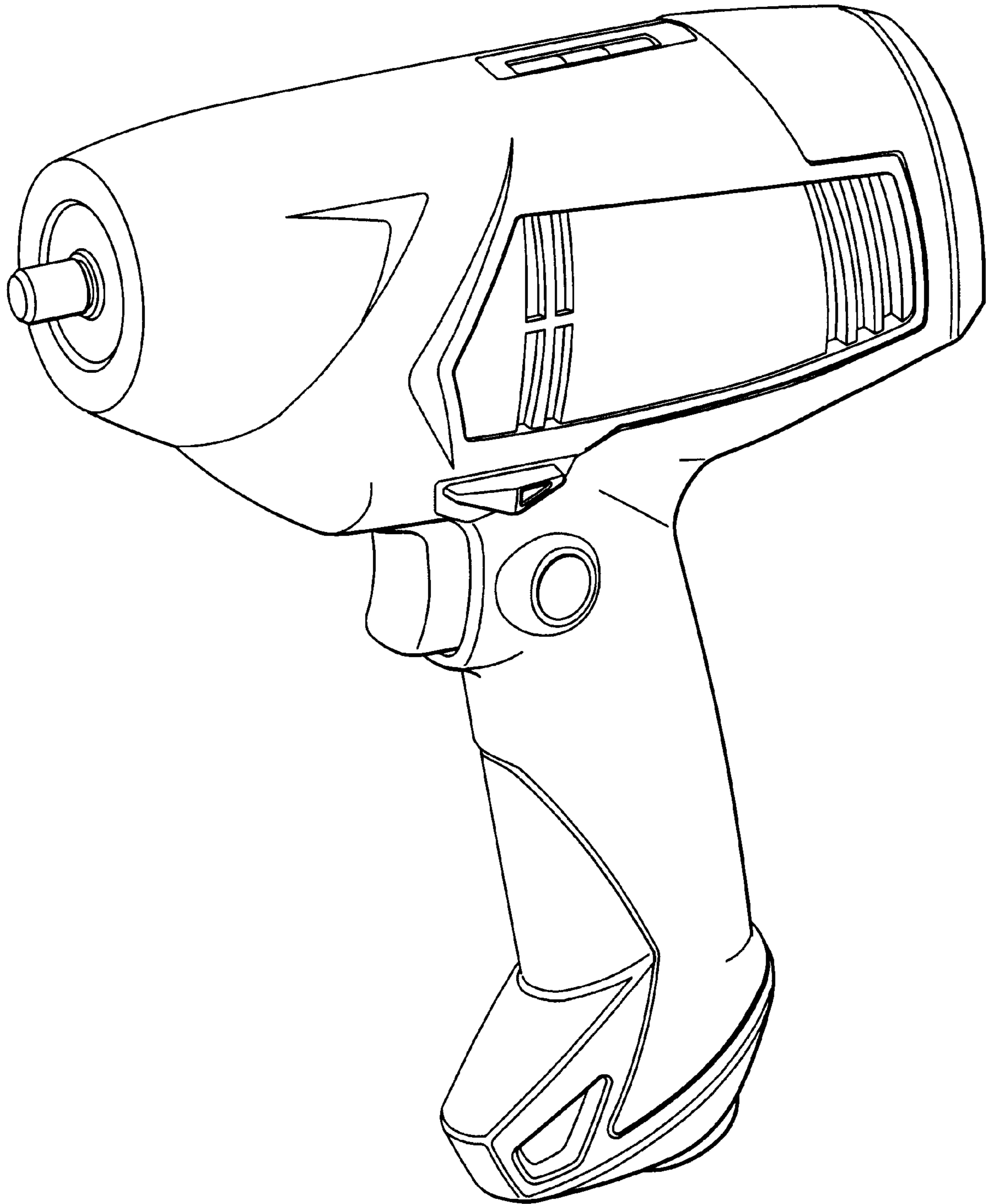


FIG. 22



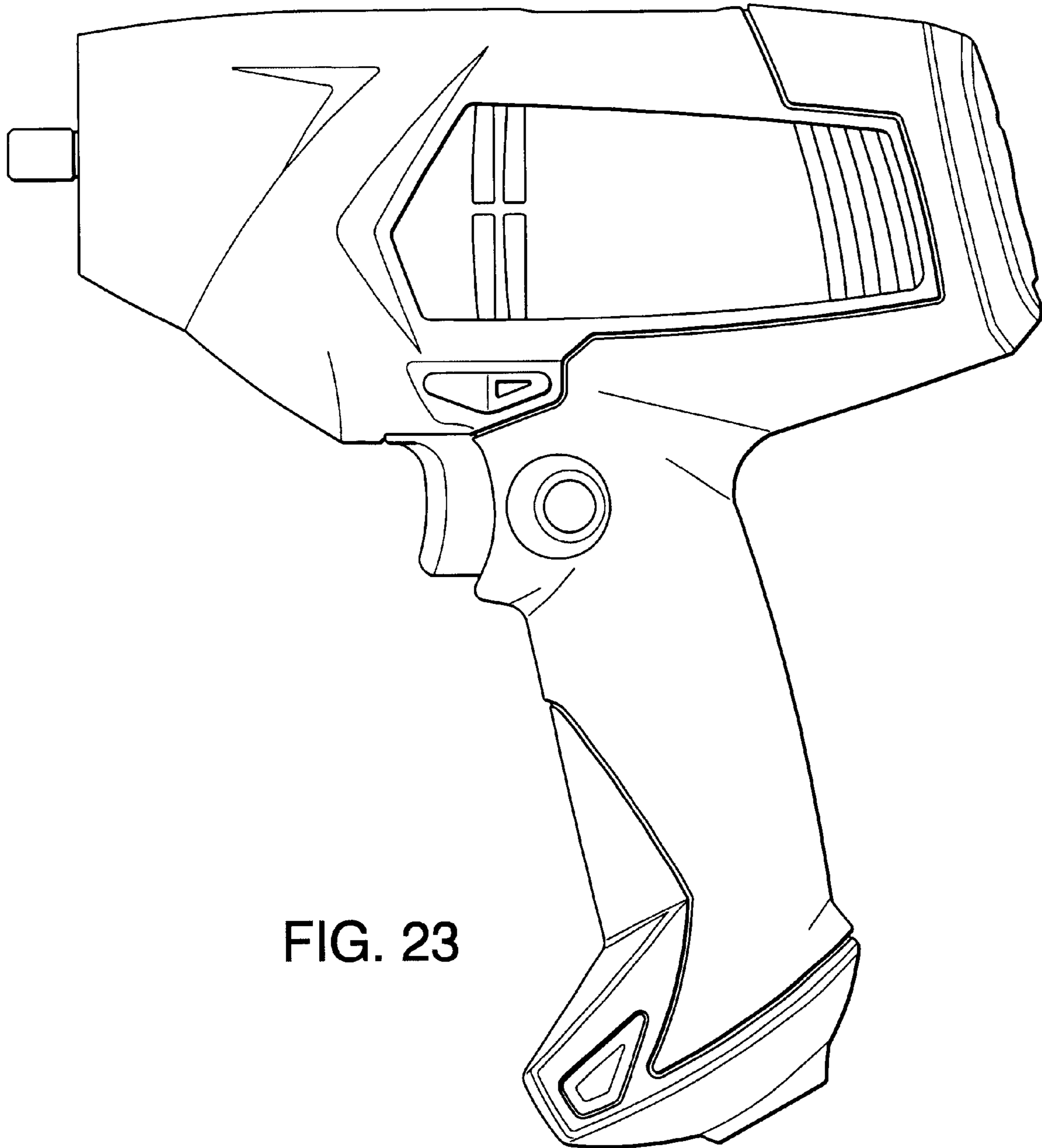


FIG. 23

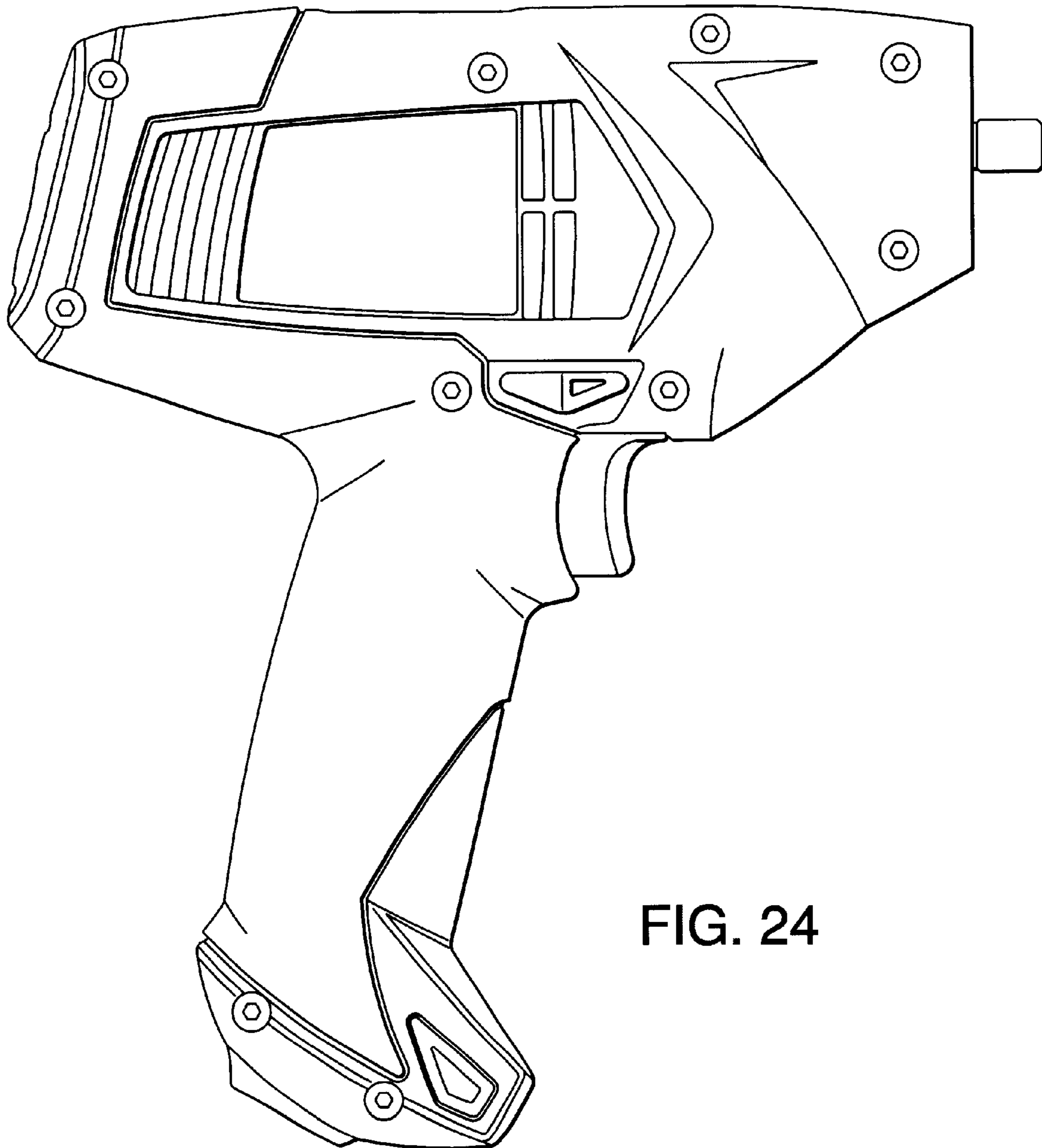


FIG. 24

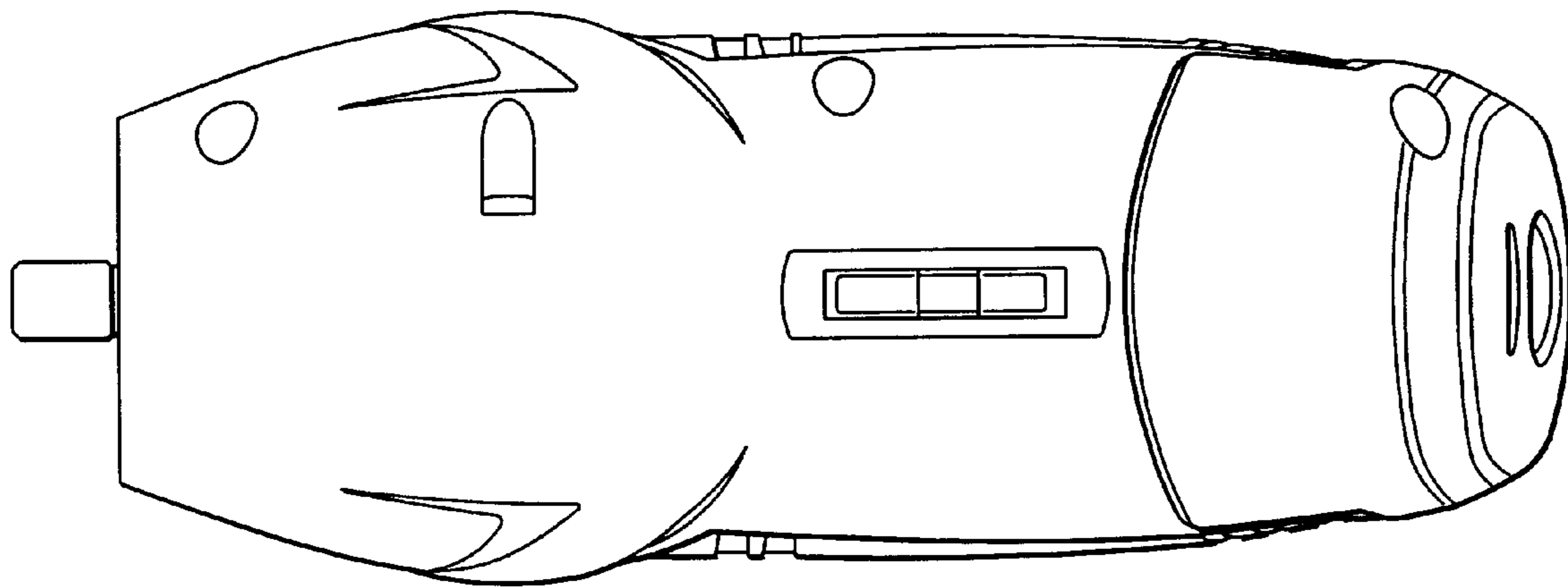


FIG. 25

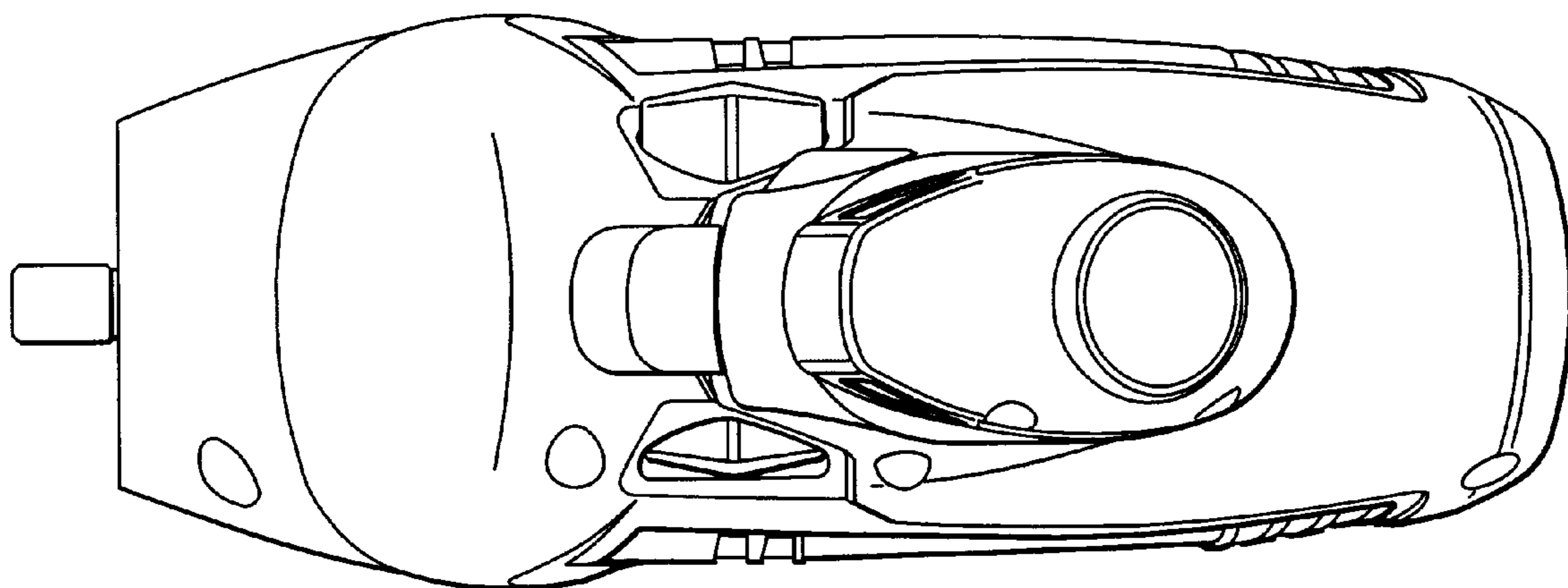


FIG. 26

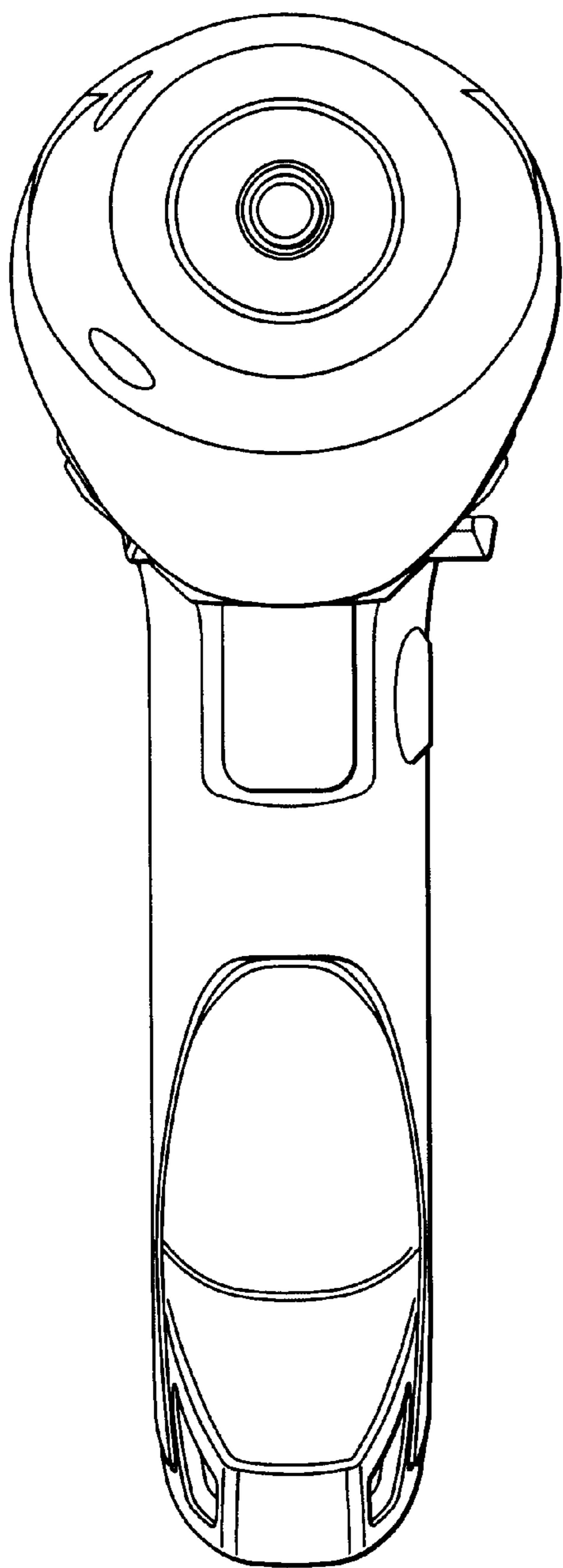


FIG. 27

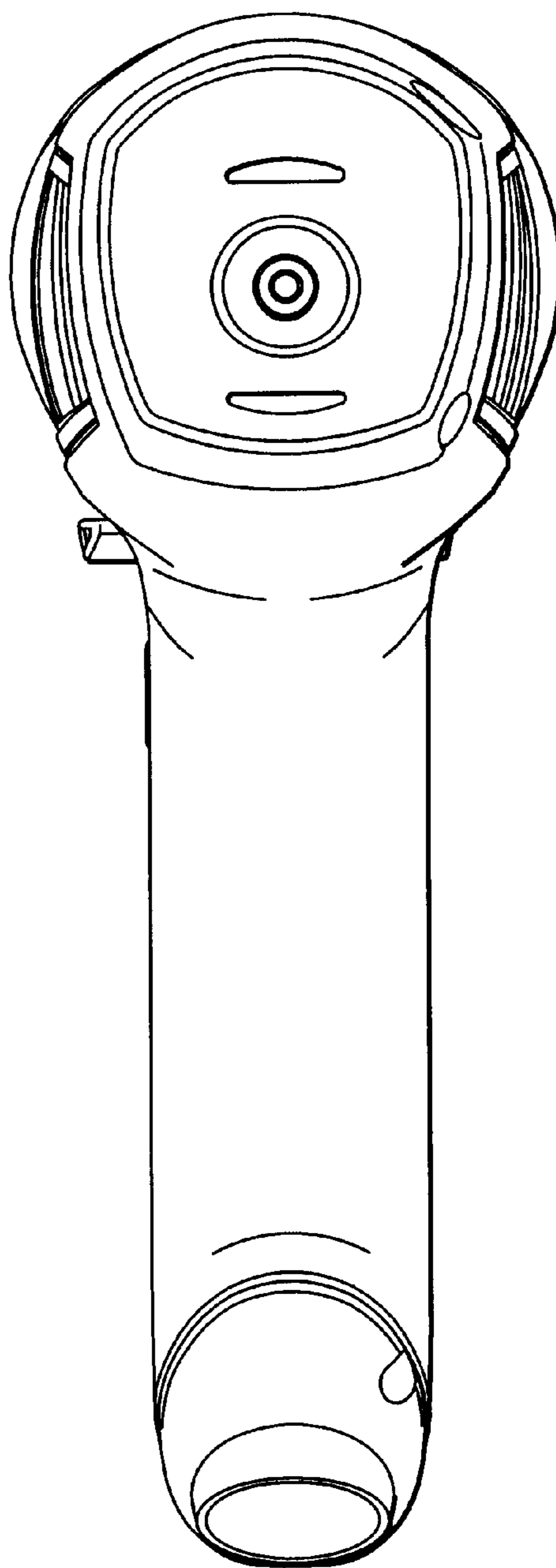


FIG. 28