



US00D521337S

(12) **United States Design Patent**  
**Cheung et al.**

(10) **Patent No.:** **US D521,337 S**

(45) **Date of Patent:** **\*\* May 23, 2006**

(54) **HAMMER DRILL**

(75) Inventors: **Benson Chun Kit Cheung**, Kowloon (HK); **Daniel Alex Chunn**, Kowloon (HK); **Frank Lenz**, Berlin (DE)

(73) Assignee: **One World Technologies Limited**, Hamilton (BM)

(\*\*) **Term:** **14 Years**

D396,789 S	8/1998	Murray	
D420,877 S	2/2000	Schultz	
D421,883 S	* 3/2000	Watson et al.	..... D8/68
D424,902 S	5/2000	Gildersleeve et al.	
D426,126 S	6/2000	Schultz	
D426,760 S	6/2000	Schultz	
D428,320 S	7/2000	Ohi et al.	
D431,766 S	10/2000	Zurwelle	
D435,414 S	12/2000	Etter et al.	
D436,511 S	1/2001	Hayakawa et al.	
D437,759 S	2/2001	Breit et al.	

(21) Appl. No.: **29/210,220**

(22) Filed: **Jul. 28, 2004**

(30) **Foreign Application Priority Data**

Apr. 20, 2004	(EM)	.....	164827
Apr. 20, 2004	(EM)	.....	164835

(51) **LOC (8) Cl.** ..... **08-01**

(52) **U.S. Cl.** ..... **D8/68**

(58) **Field of Classification Search** ..... D8/14.1,  
D8/61, 62, 63, 64, 65, 66, 67, 68, 69, 70;  
81/57.11, 429, 464, 465, 466, 469, 489; 173/13,  
173/169, 178, 213, 217, 114, 201, 211; 227/8,  
227/114, 120, 130, 136, 142; 408/20, 124,  
408/125, 234, 241 R; 451/358; 310/50  
See application file for complete search history.

(56) **References Cited**

**U.S. PATENT DOCUMENTS**

4,881,294 A	*	11/1989	Riedl	.....	408/241 R
D339,046 S		9/1993	Fushiya et al.		
D340,394 S		10/1993	Okumura		
D340,396 S		10/1993	Ichikawa		
D342,430 S		12/1993	Saito et al.		
D345,090 S		3/1994	Okumura		
D359,215 S		6/1995	Zurwelle		
D362,167 S		9/1995	Zurwelle		
D368,009 S		3/1996	Zurwelle		
D368,214 S		3/1996	Zurwelle		
D380,952 S		7/1997	Kim		
D382,457 S		8/1997	Ghode et al.		
D392,863 S		3/1998	Sugimoto et al.		
D396,177 S		7/1998	Schultz		

(Continued)

*Primary Examiner*—Gary D. Watson  
*Assistant Examiner*—T. Chase Nelson

(74) *Attorney, Agent, or Firm*—Brinks Hofer Gilson & Lione

(57) **CLAIM**

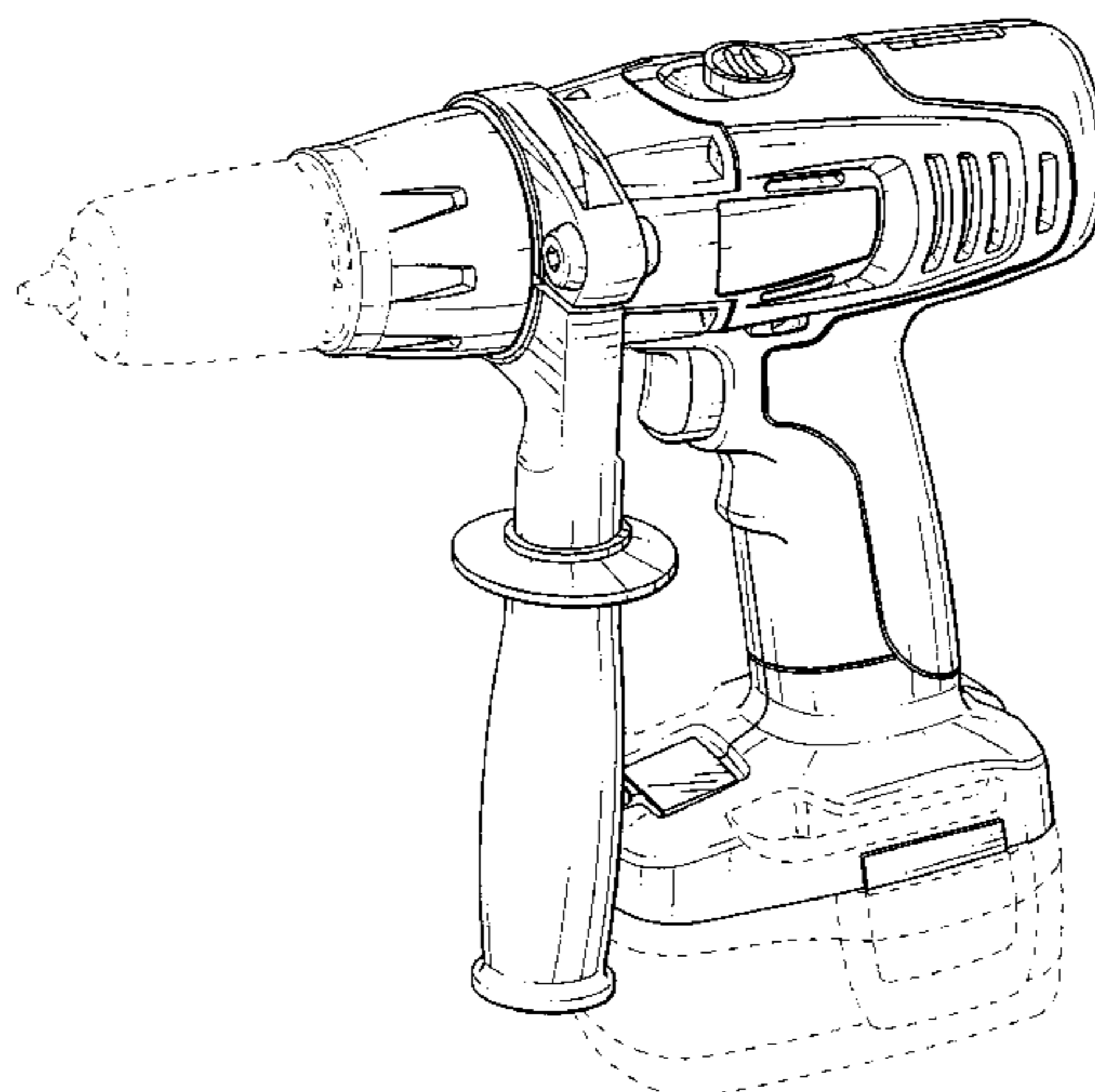
We claim the ornamental design for a hammer drill, as shown and described.

**DESCRIPTION**

FIG. 1 is a top and side perspective view of a first embodiment of a hammer drill of the present invention;  
 FIG. 2 is a first side view thereof;  
 FIG. 3 is a second side view thereof;  
 FIG. 4 is a front view thereof;  
 FIG. 5 is a rear view thereof;  
 FIG. 6 is a top view thereof;  
 FIG. 7 is a bottom view thereof;  
 FIG. 8 is a top and side perspective view of a second embodiment of a hammer drill of the present invention;  
 FIG. 9 is a first side view thereof;  
 FIG. 10 is a second side view thereof;  
 FIG. 11 is a front view thereof;  
 FIG. 12 is a rear view thereof;  
 FIG. 13 is a top view thereof; and,  
 FIG. 14 is a bottom view thereof.

The ornamental design which is claimed is shown in solid lines in the drawings. Any broken lines in the drawings are for illustrative purposes only and form no part of the claimed design.

**1 Claim, 12 Drawing Sheets**



# US D521,337 S

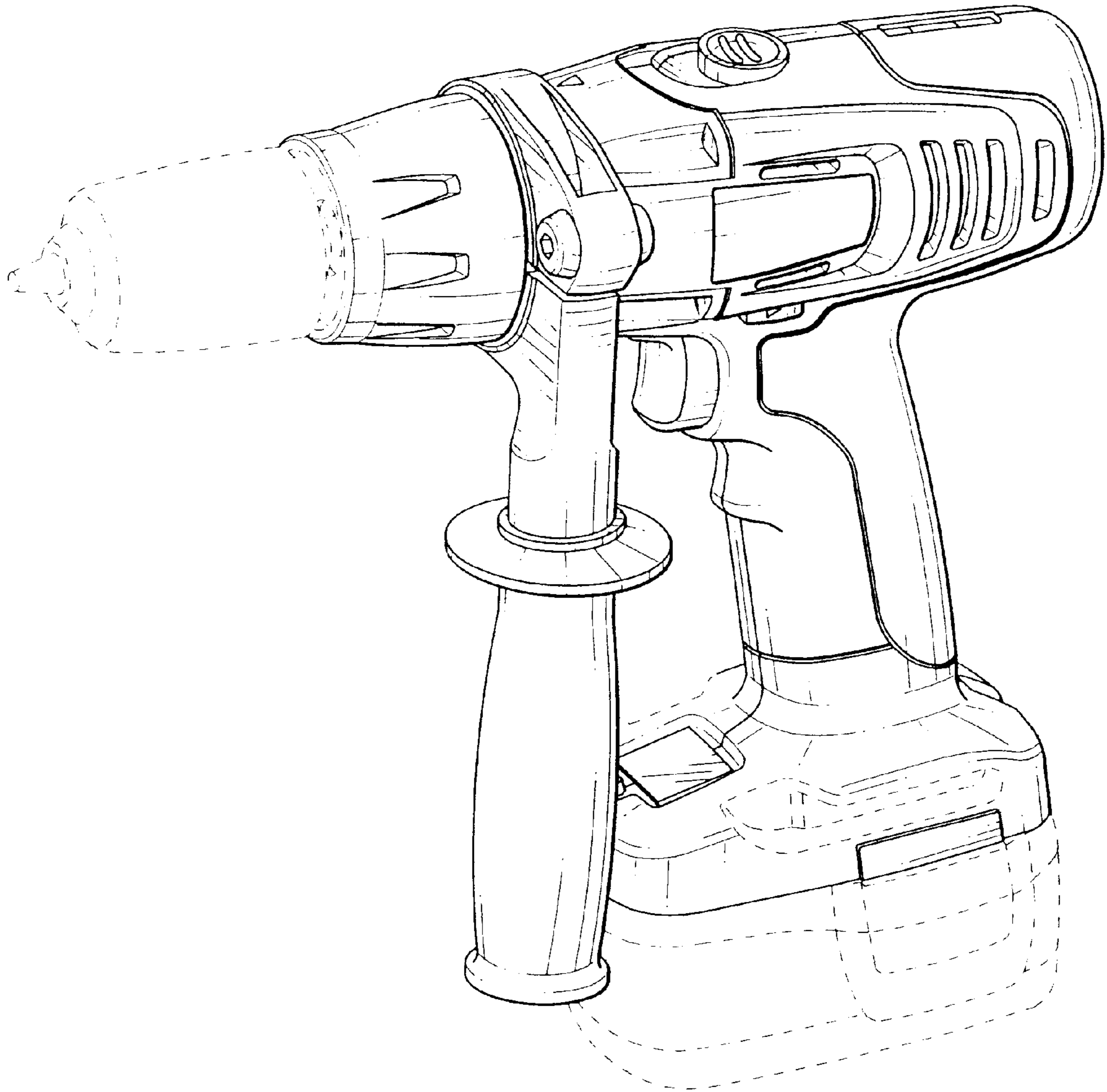
Page 2

## U.S. PATENT DOCUMENTS

D440,850 S	4/2001	Ozawa et al.	
6,308,378 B1 *	10/2001	Mooty et al. ....	81/489
6,401,837 B1	6/2002	Pan	
D460,673 S	7/2002	Heun	
D462,248 S *	9/2002	Cooper .....	D8/68
D462,592 S	9/2002	Cooper	
D464,858 S	10/2002	Netzler	
6,457,535 B1 *	10/2002	Tanaka .....	173/178
D466,777 S *	12/2002	Watson .....	D8/68
D467,147 S *	12/2002	Watson .....	D8/68
D467,148 S *	12/2002	Flickinger .....	D8/68
D467,482 S	12/2002	Kunz et al.	
D467,483 S	12/2002	Heun	
D469,674 S	2/2003	Chung	
D469,675 S	2/2003	Chung	
D471,419 S *	3/2003	Chunn et al. ....	D8/68
D472,781 S	4/2003	Netzler	
D474,953 S	5/2003	Santarsiero et al.	
D475,596 S	6/2003	Ozawa et al.	
D477,205 S	7/2003	Sakai et al.	
D477,974 S	8/2003	Chunn et al.	
D478,262 S	8/2003	Chunn et al.	
D479,456 S	9/2003	Murray et al.	
D482,253 S	11/2003	Cooper et al.	
6,656,626 B1	12/2003	Mooty et al.	
D489,955 S *	5/2004	Concari et al. ....	D8/68
6,729,480 B1	5/2004	Blake	
6,745,883 B1 *	6/2004	Eto et al. ....	173/178
D494,034 S *	8/2004	Cheung .....	D8/68
D501,385 S *	2/2005	Cheung et al. ....	D8/68
D501,779 S *	2/2005	Watson .....	D8/68
6,860,342 B1 *	3/2005	Wu et al. ....	173/217
2002/0096343 A1 *	7/2002	Potter et al. ....	173/178
2003/0143042 A1 *	7/2003	Doyle et al. ....	408/124

\* cited by examiner

FIG. 1



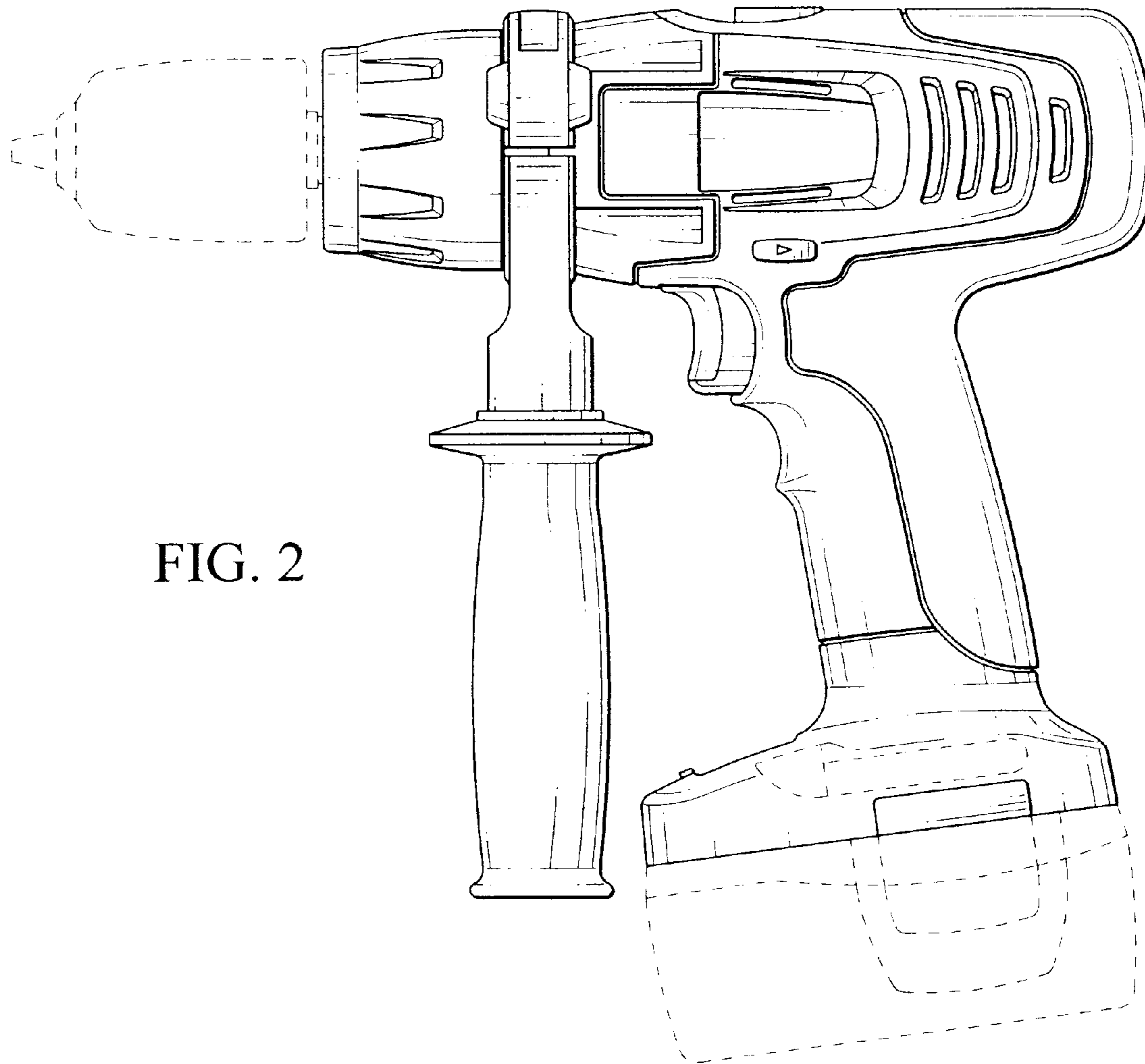


FIG. 2

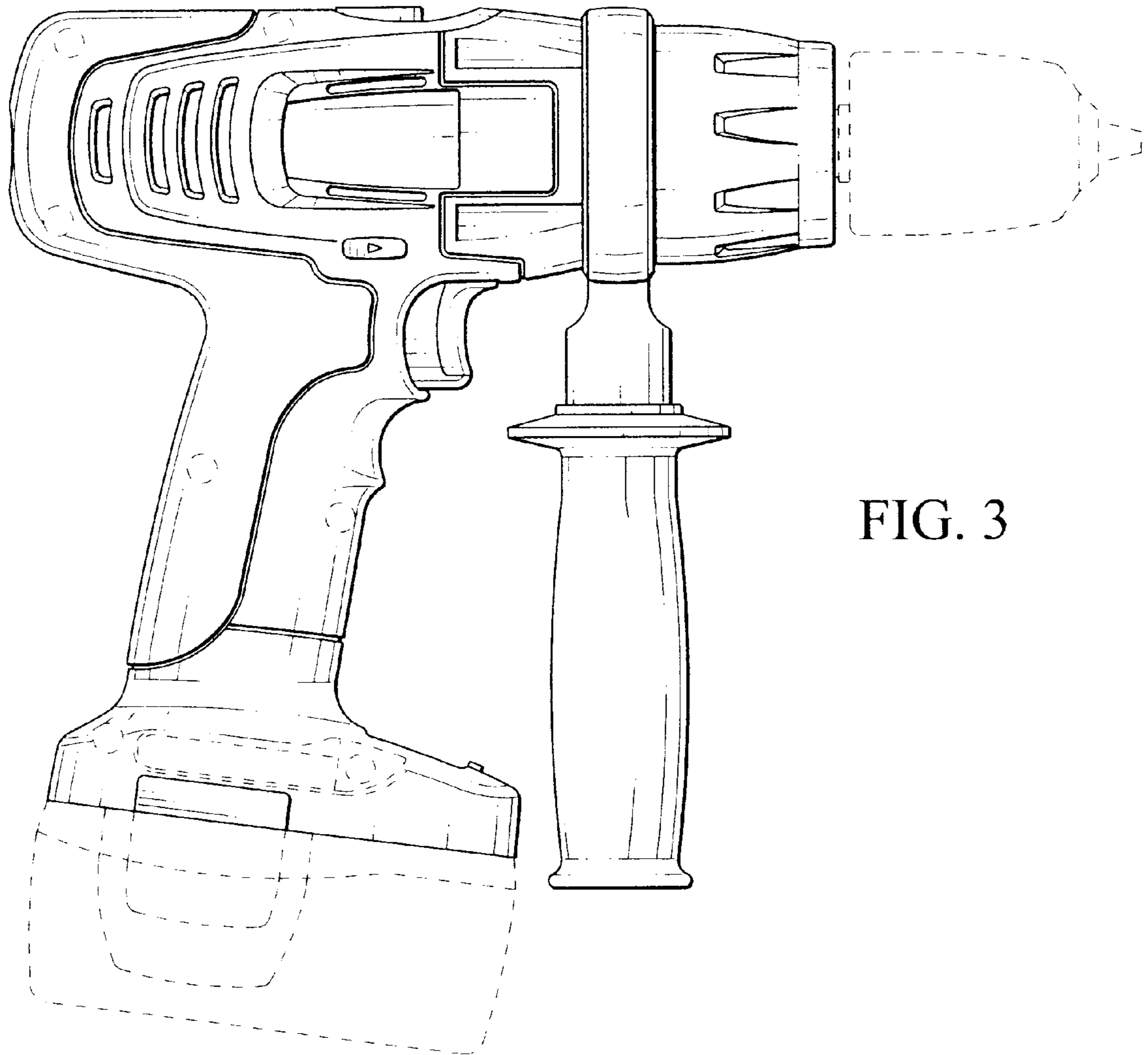
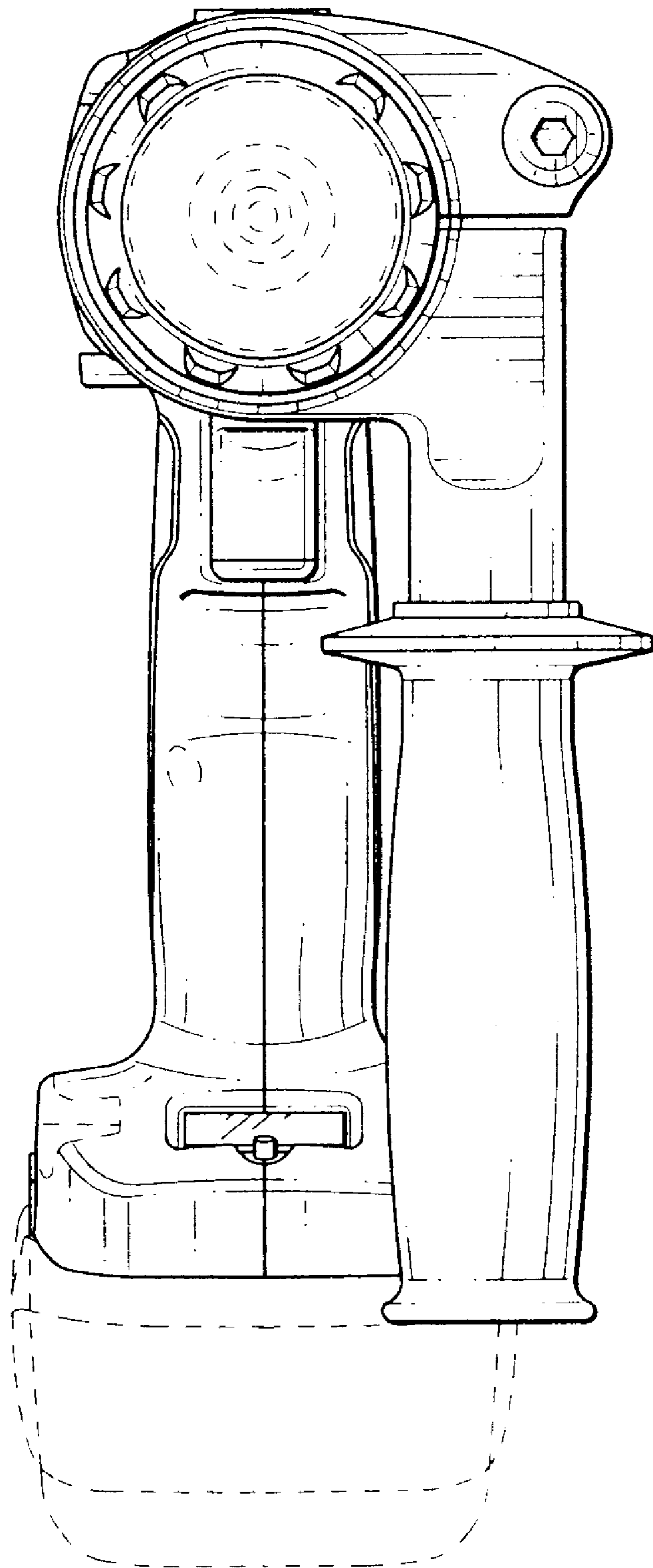


FIG. 3

FIG. 4



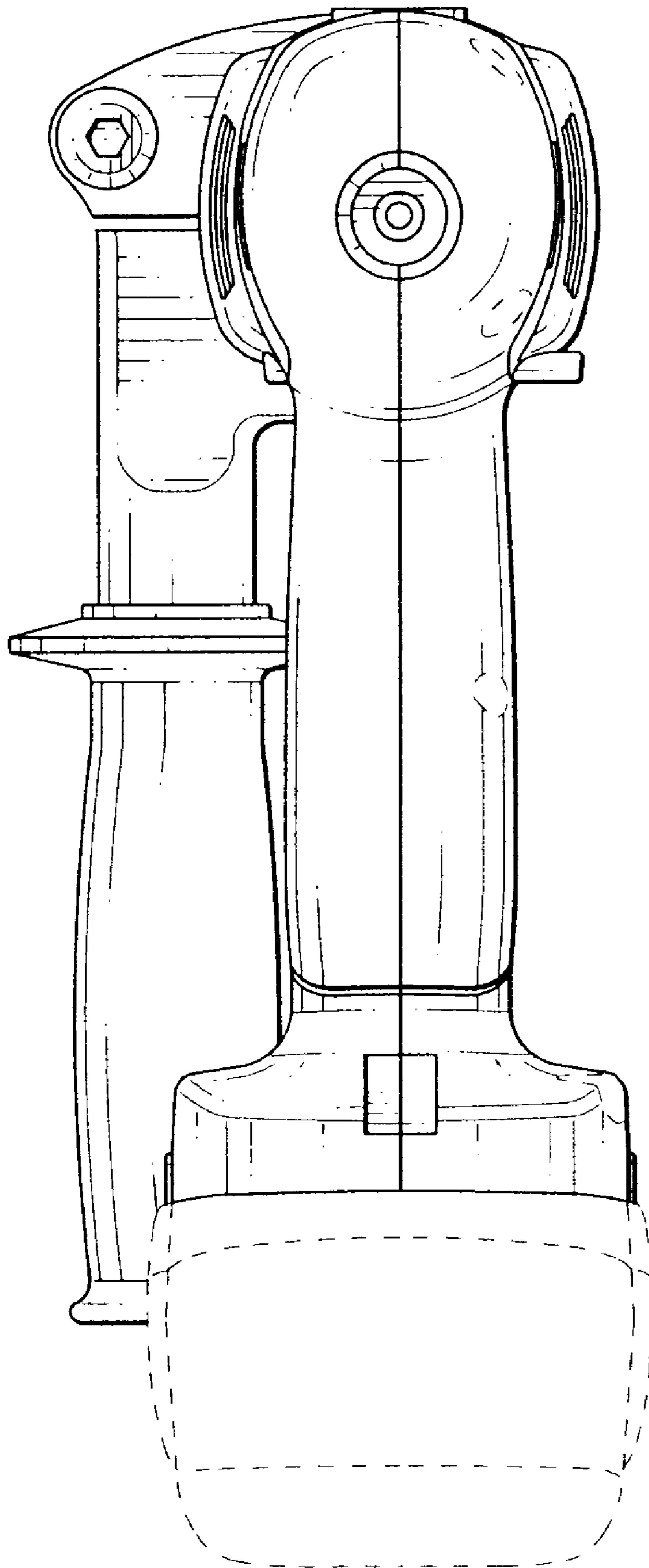


FIG. 5

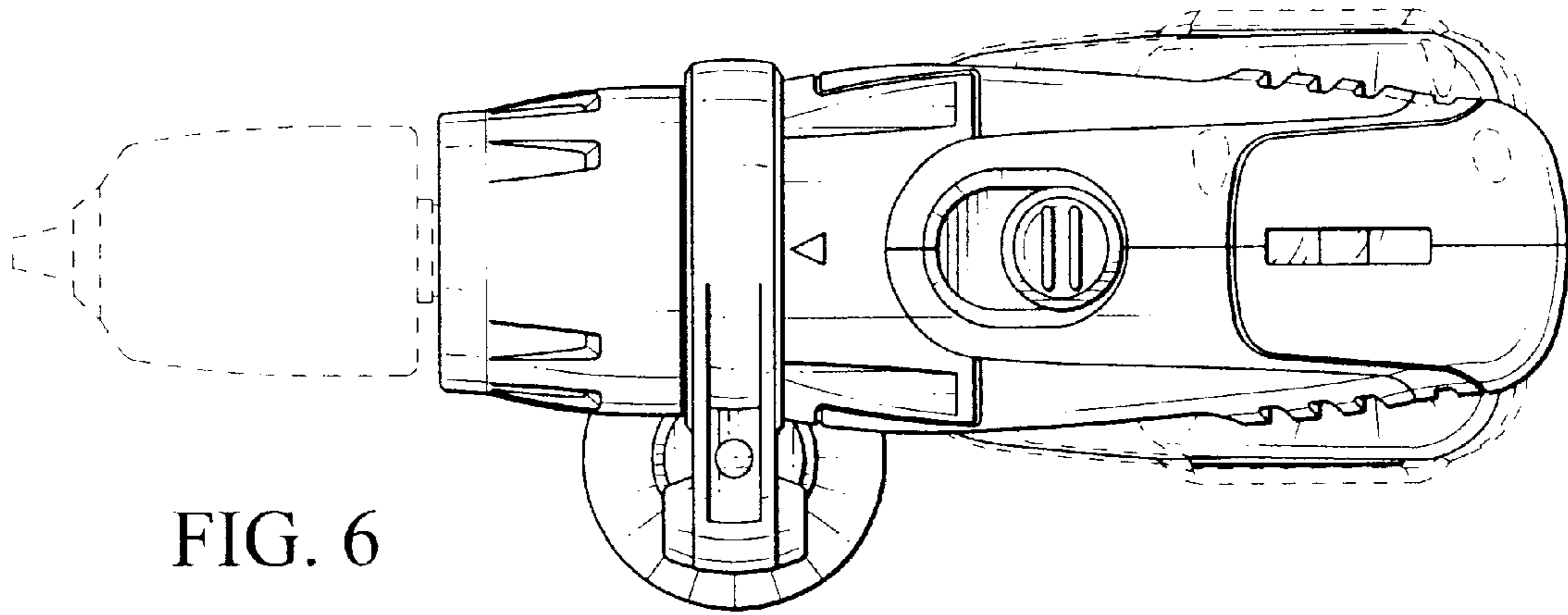


FIG. 6

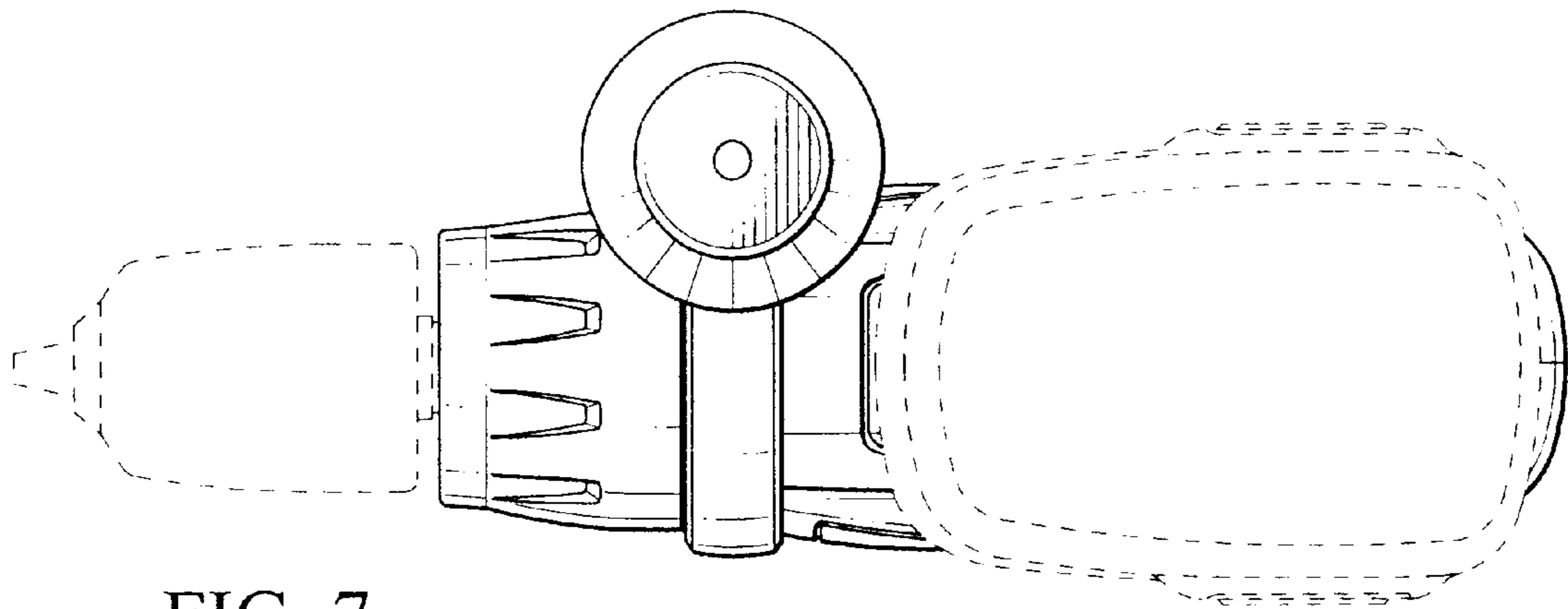
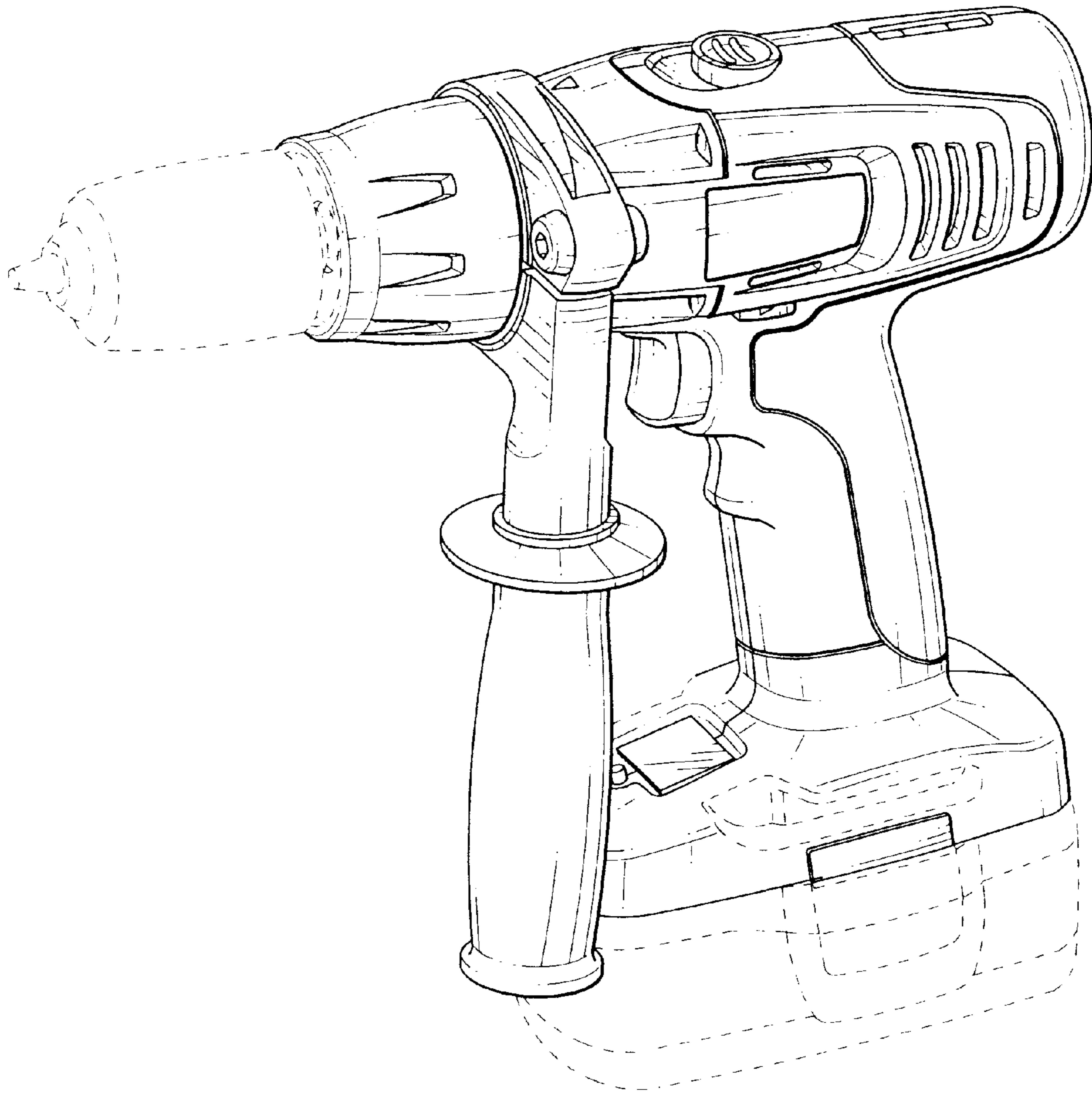


FIG. 7



FIG. 8



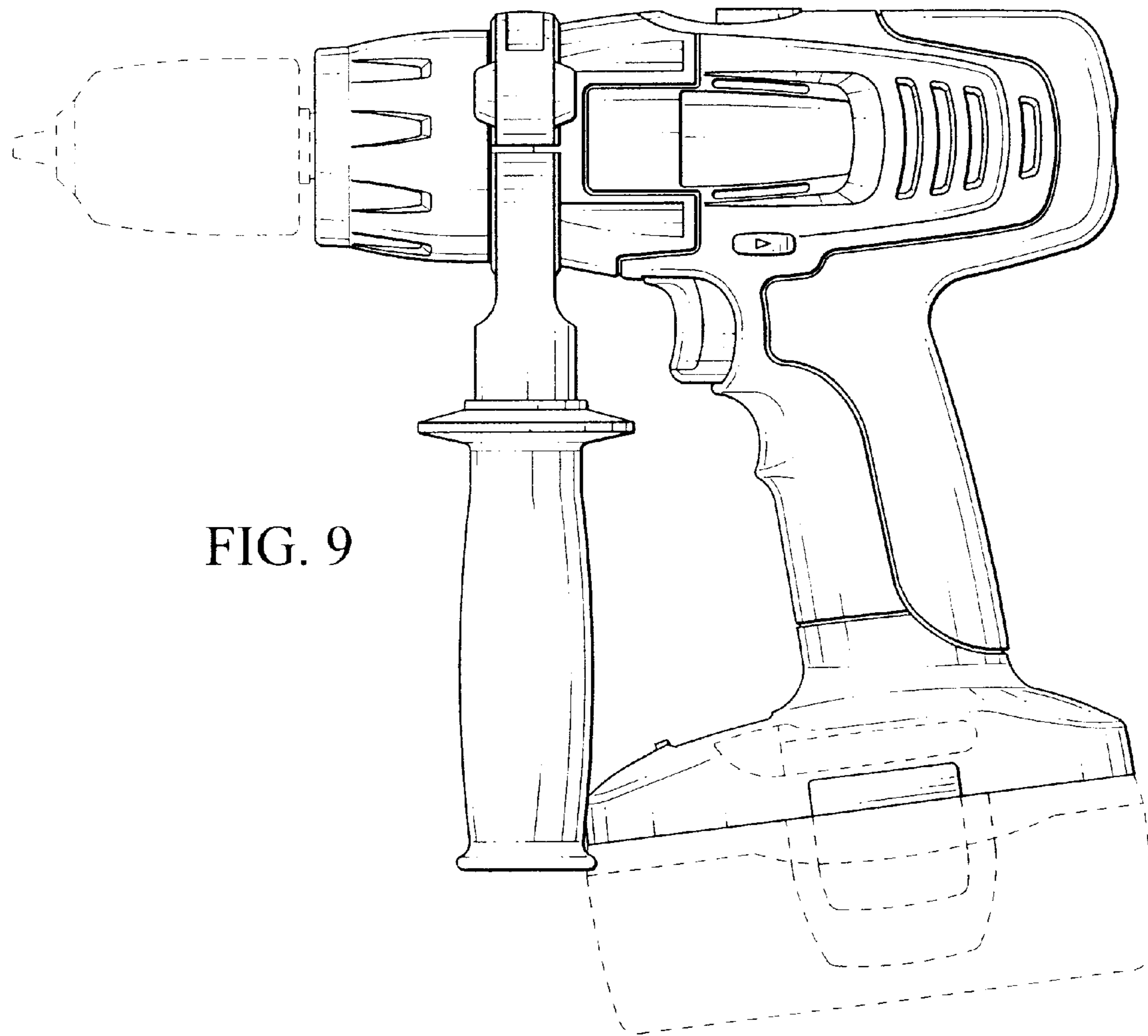


FIG. 9

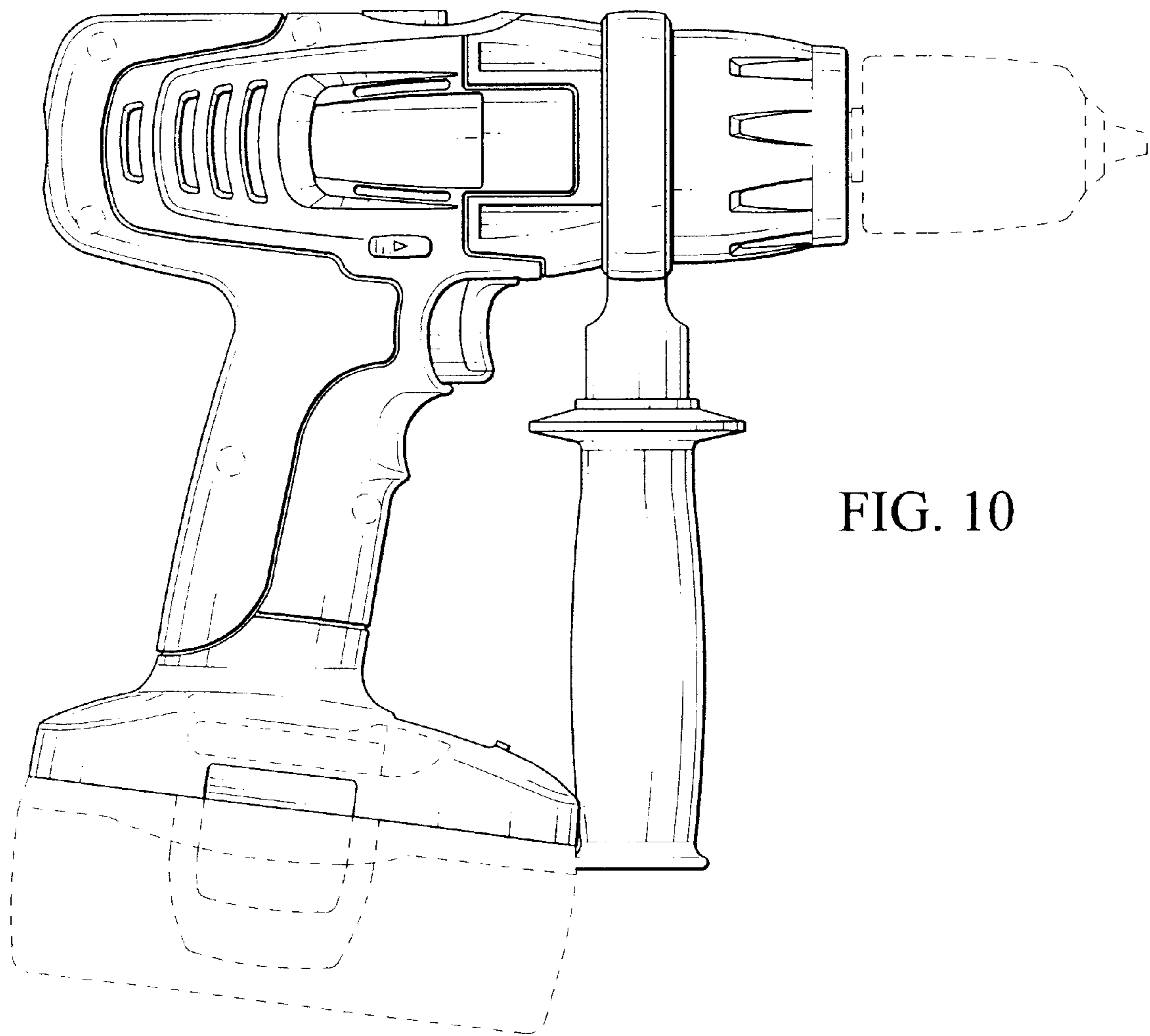
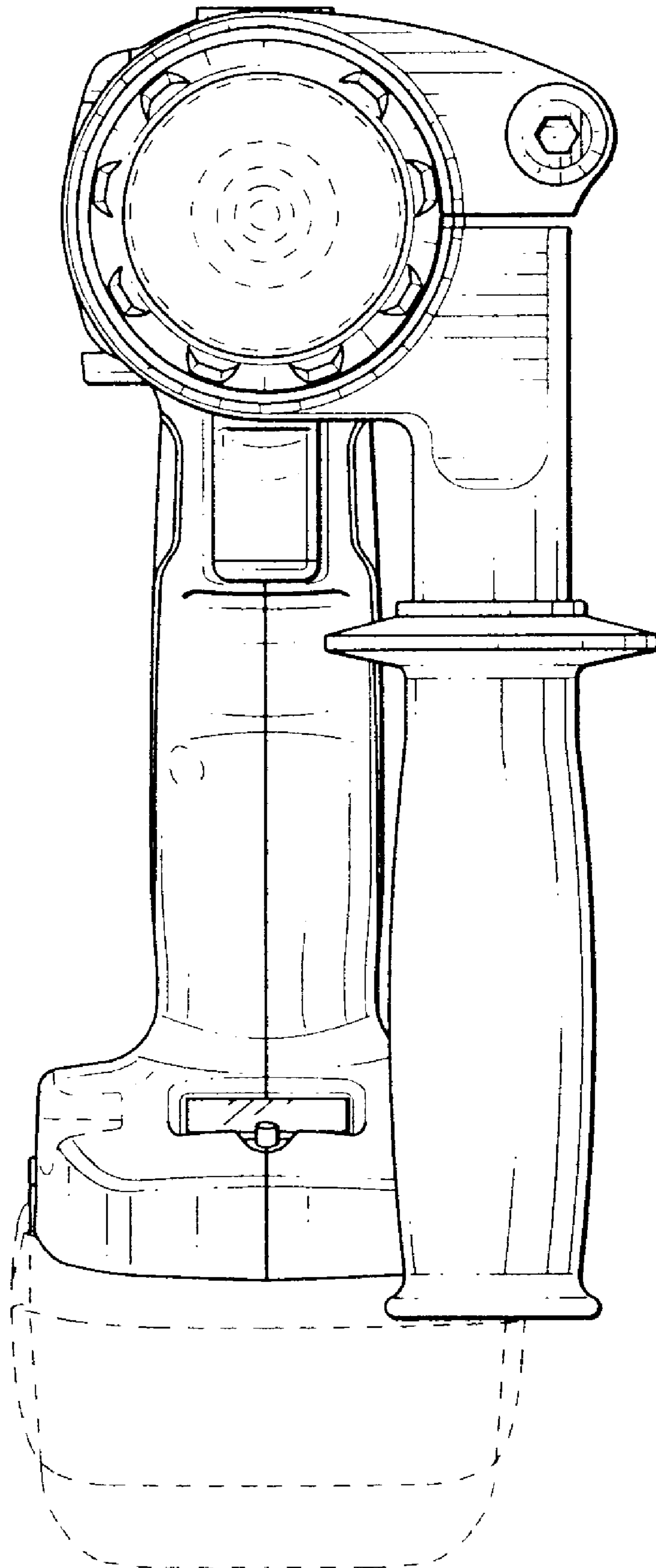


FIG. 10

FIG. 11



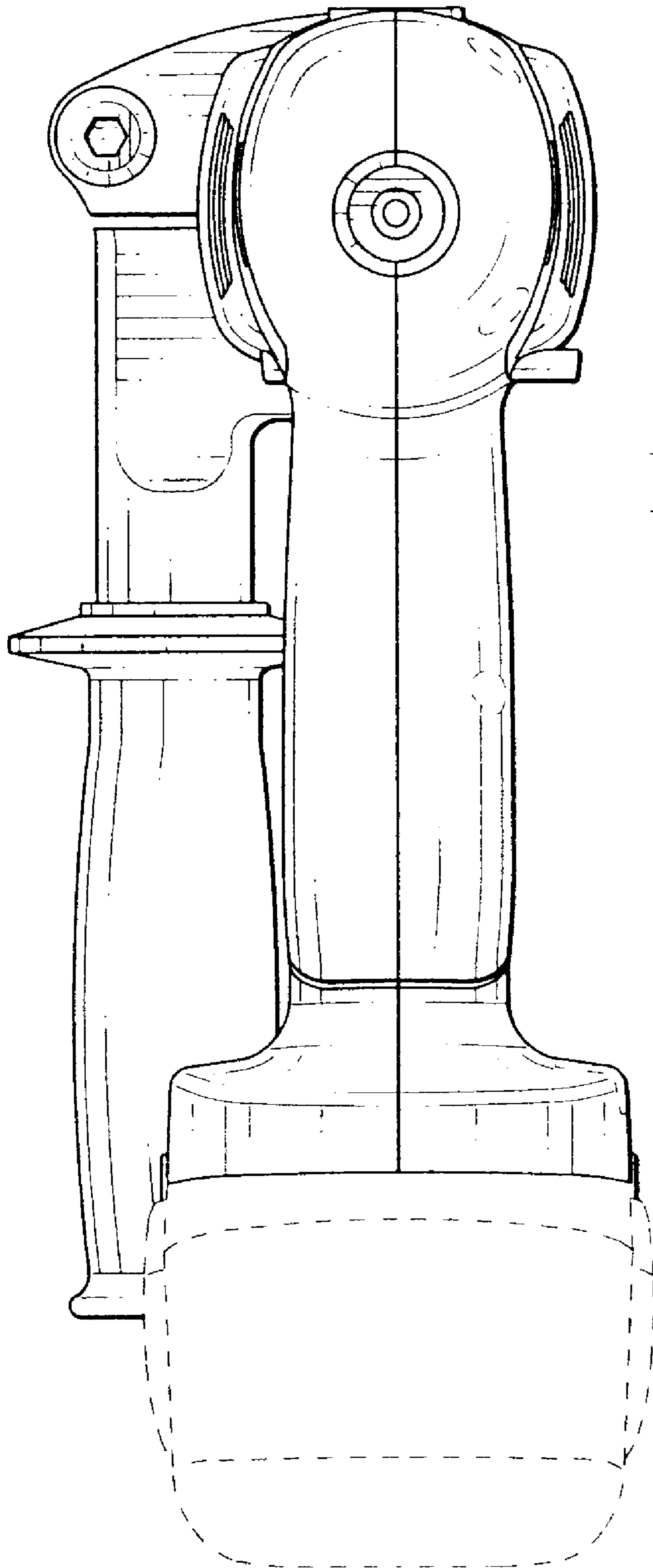


FIG. 12

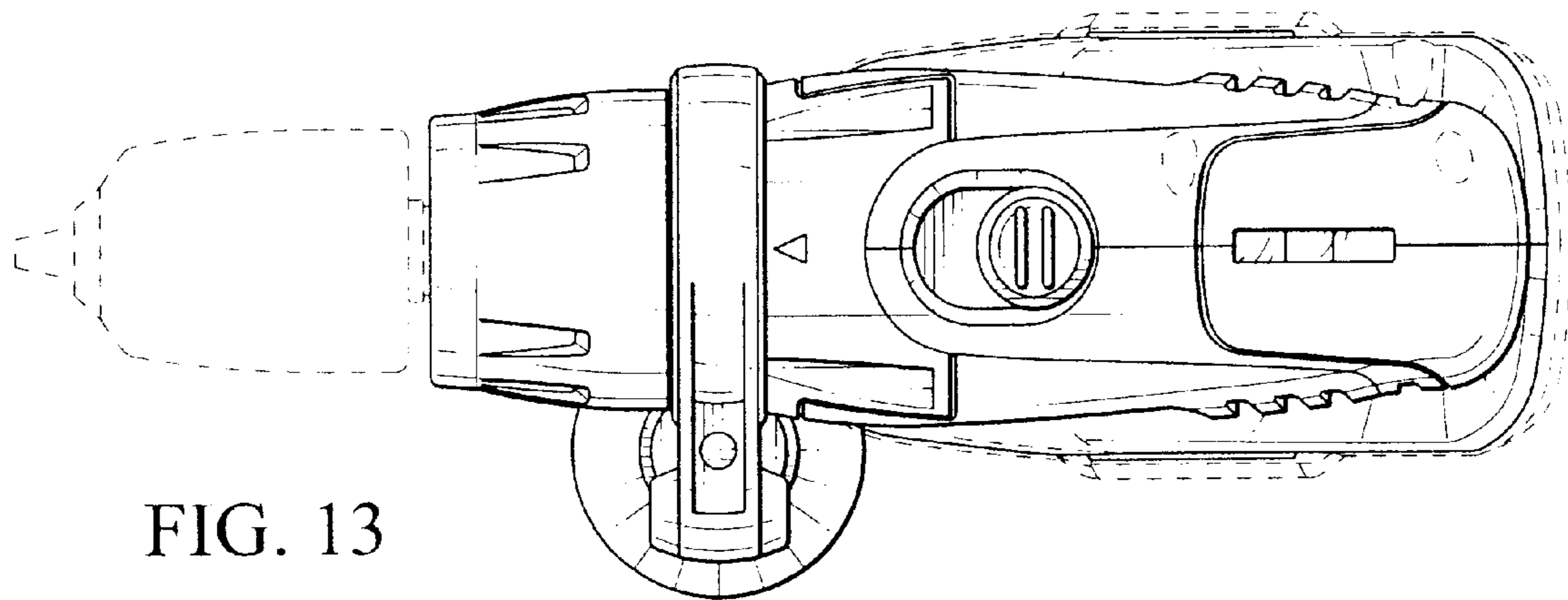


FIG. 13

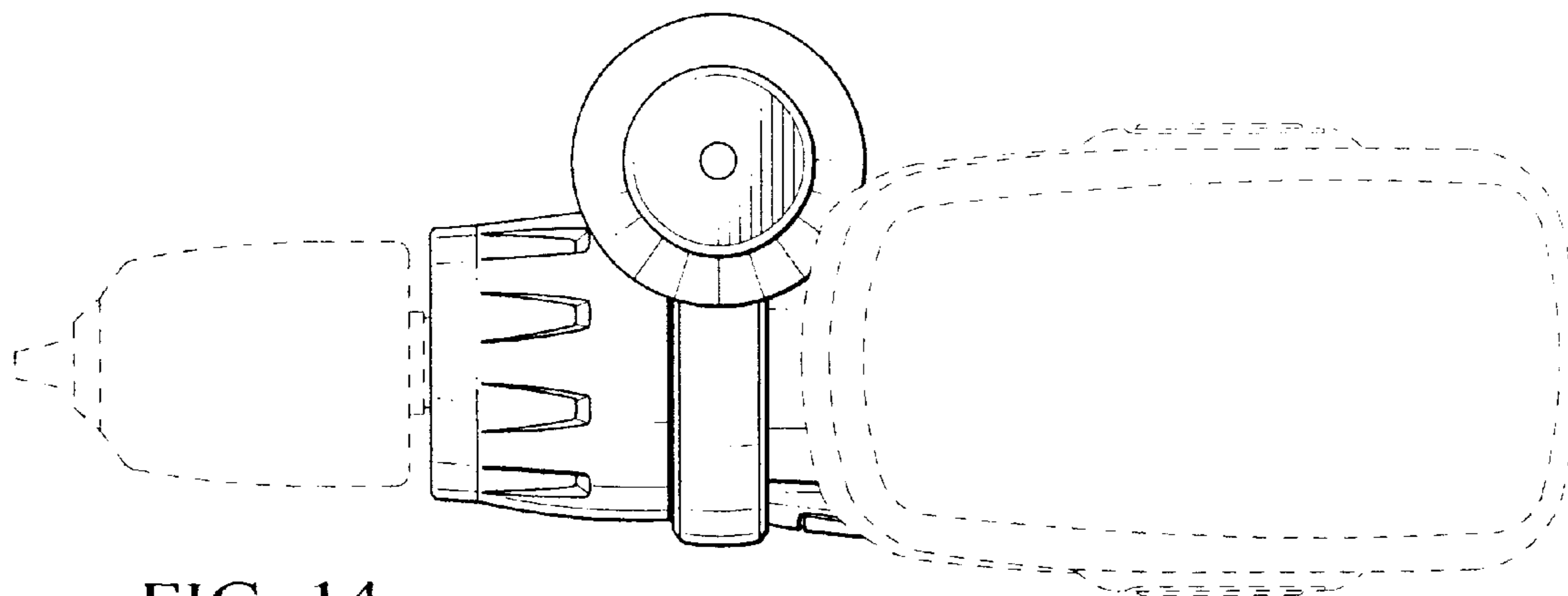


FIG. 14