



US00D521336S

(12) **United States Design Patent**
Heun

(10) **Patent No.:** **US D521,336 S**

(45) **Date of Patent:** **** May 23, 2006**

(54) **CIRCULAR SAW**

(75) Inventor: **Ping Hay Heun**, Aberdeen (HK)

(73) Assignee: **Choon Nang Electrical Appliance Mfy., Ltd.**, Aberdeen (HK)

(**) Term: **14 Years**

(21) Appl. No.: **29/209,218**

(22) Filed: **Jul. 9, 2004**

(30) **Foreign Application Priority Data**

Nov. 6, 2004 (EM) 000188644

(51) **LOC (8) Cl.** **08-03**

(52) **U.S. Cl.** **D8/66**

(58) **Field of Classification Search** D8/69,
D8/68, 67, 66, 64, 61, 70; 83/698.41, 747;
30/166.3, 374, 373, 375, 376, 391, 377, 390,
30/388, 389; 125/13.01; 144/218

See application file for complete search history.

(56) **References Cited**

U.S. PATENT DOCUMENTS

D363,656 S	*	10/1995	Gierke	D8/66
D411,425 S	*	6/1999	Sugimoto et al.	D8/66
D427,872 S	*	7/2000	Snider	D8/66
D427,874 S	*	7/2000	Hayakawa et al.	D8/66
D428,319 S	*	7/2000	Gallagher	D8/66

D433,300 S	*	11/2000	Buck	D8/66
D453,099 S	*	1/2002	Welsh	D8/66
D466,385 S	*	12/2002	Shigo et al.	D8/66
D470,376 S	*	2/2003	Chunn et al.	D8/66
6,543,143 B1	*	4/2003	Moore et al.	30/391
D488,977 S	*	4/2004	Evans	D8/66
D502,073 S	*	2/2005	Andriolo	D8/66
6,889,439 B1	*	5/2005	Koukal et al.	30/377

* cited by examiner

Primary Examiner—Cathron C. Brooks

Assistant Examiner—Austin Murphy

(74) *Attorney, Agent, or Firm*—Alix, Yale & Ristas, LLP

(57) **CLAIM**

The ornamental design for an circular saw, as shown and described.

DESCRIPTION

FIG. 1 is a front end, right side and top perspective view of an circular saw showing my new design;

FIG. 2 is a rear end, left side and top perspective view thereof;

FIG. 3 is a right side elevational view thereof;

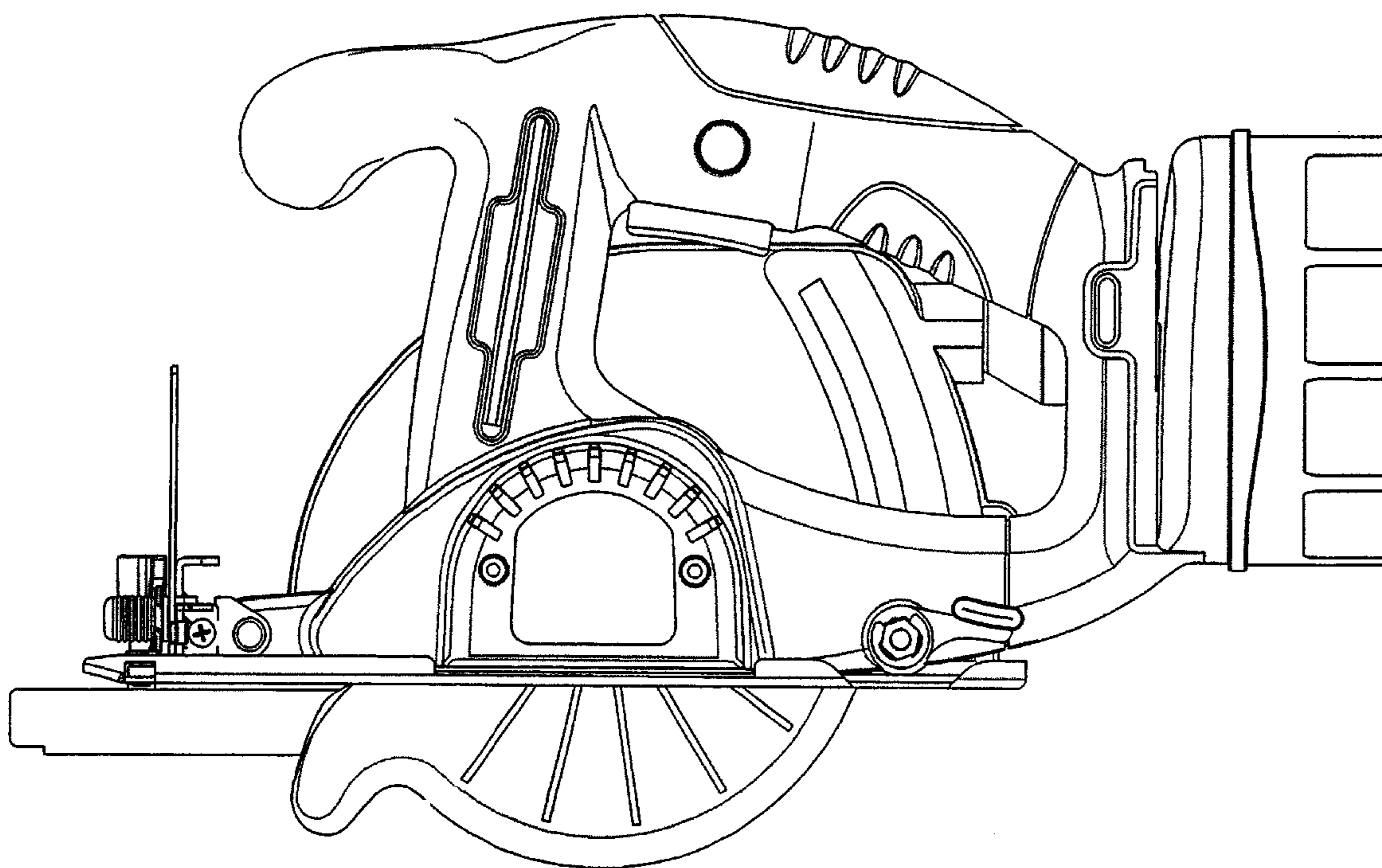
FIG. 4 is a left side elevational view thereof;

FIG. 5 is a front end elevational view thereof;

FIG. 6 is a top plan view thereof; and,

FIG. 7 is a bottom plan view thereof.

1 Claim, 7 Drawing Sheets



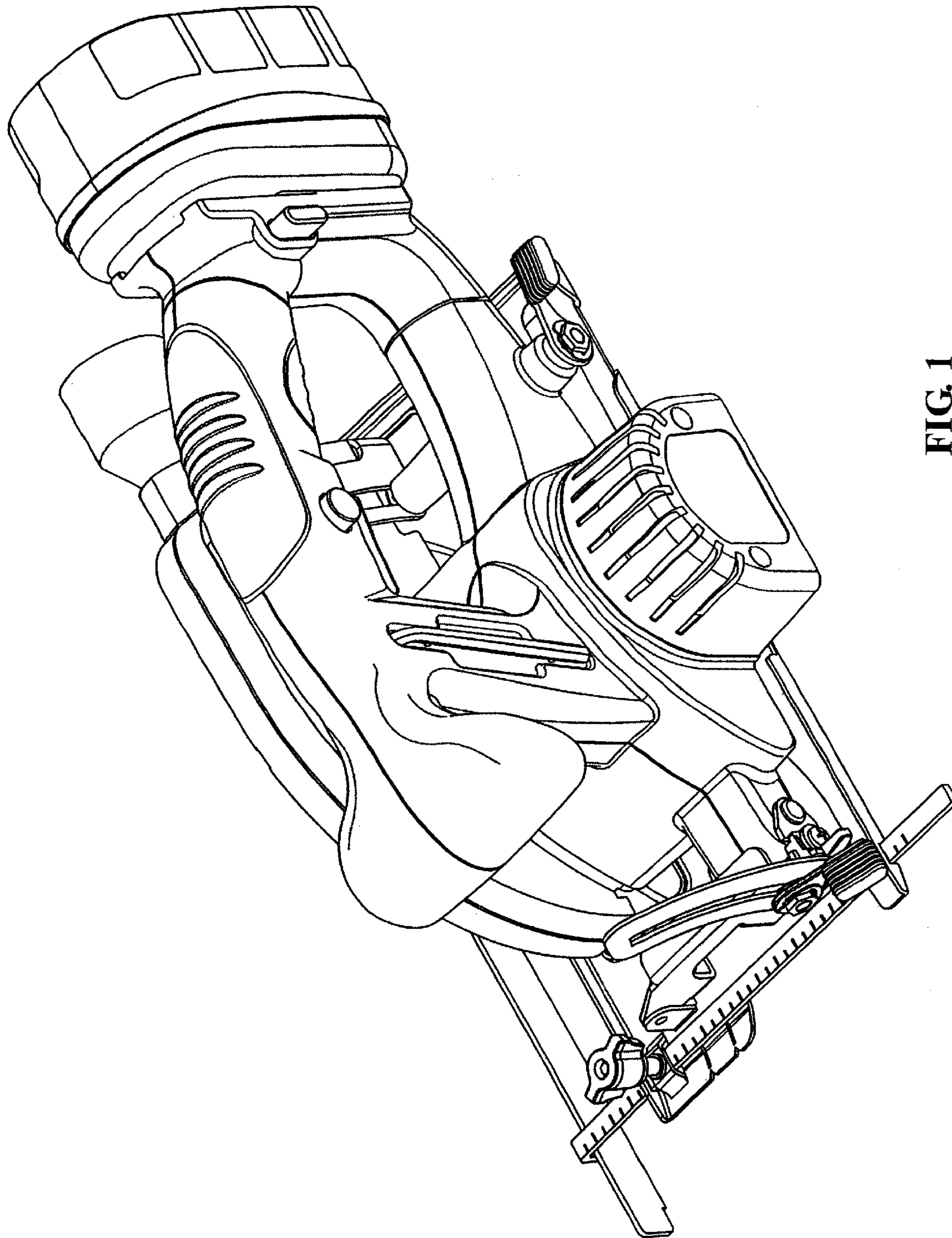


FIG. 1

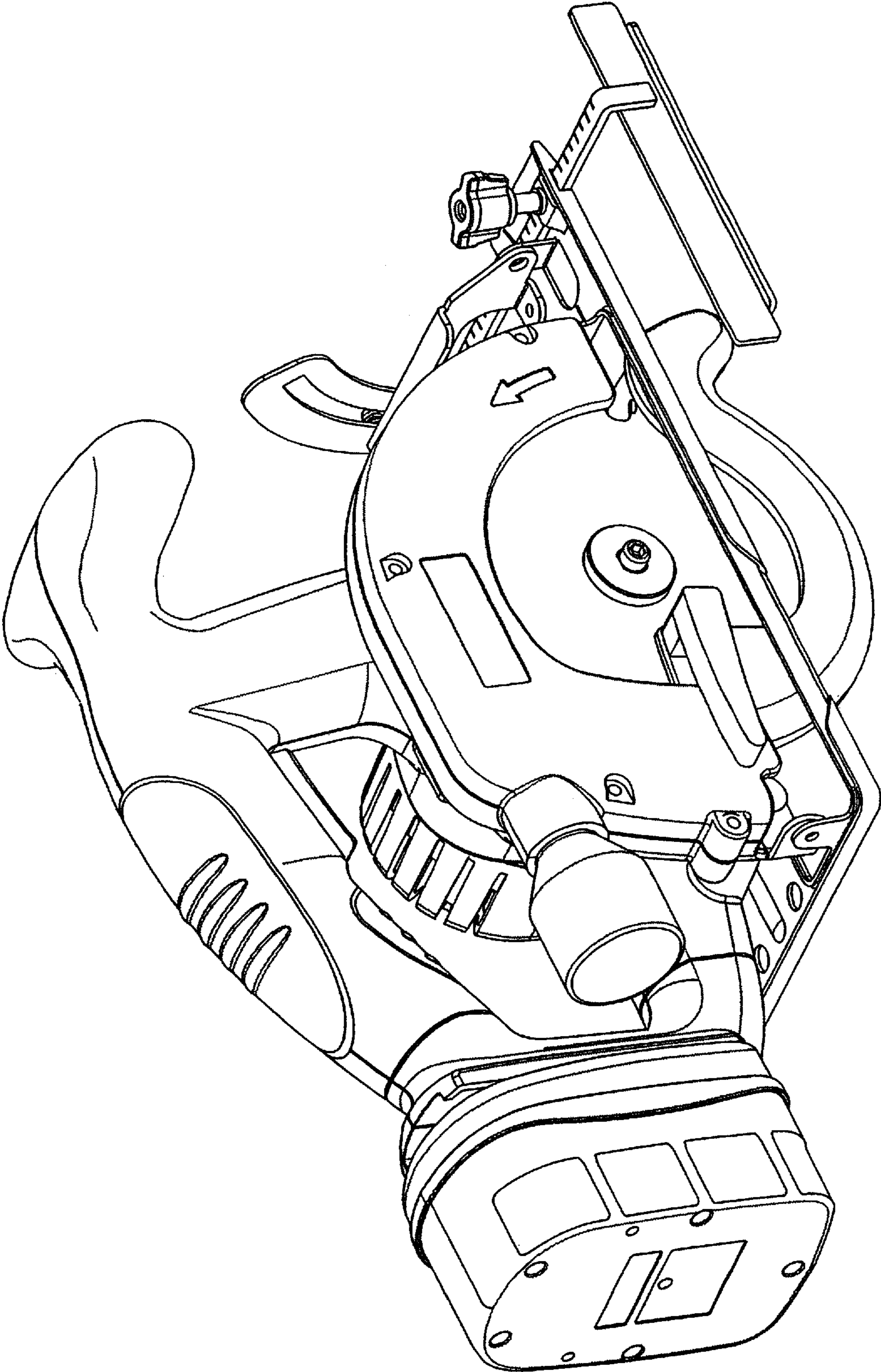


FIG. 2

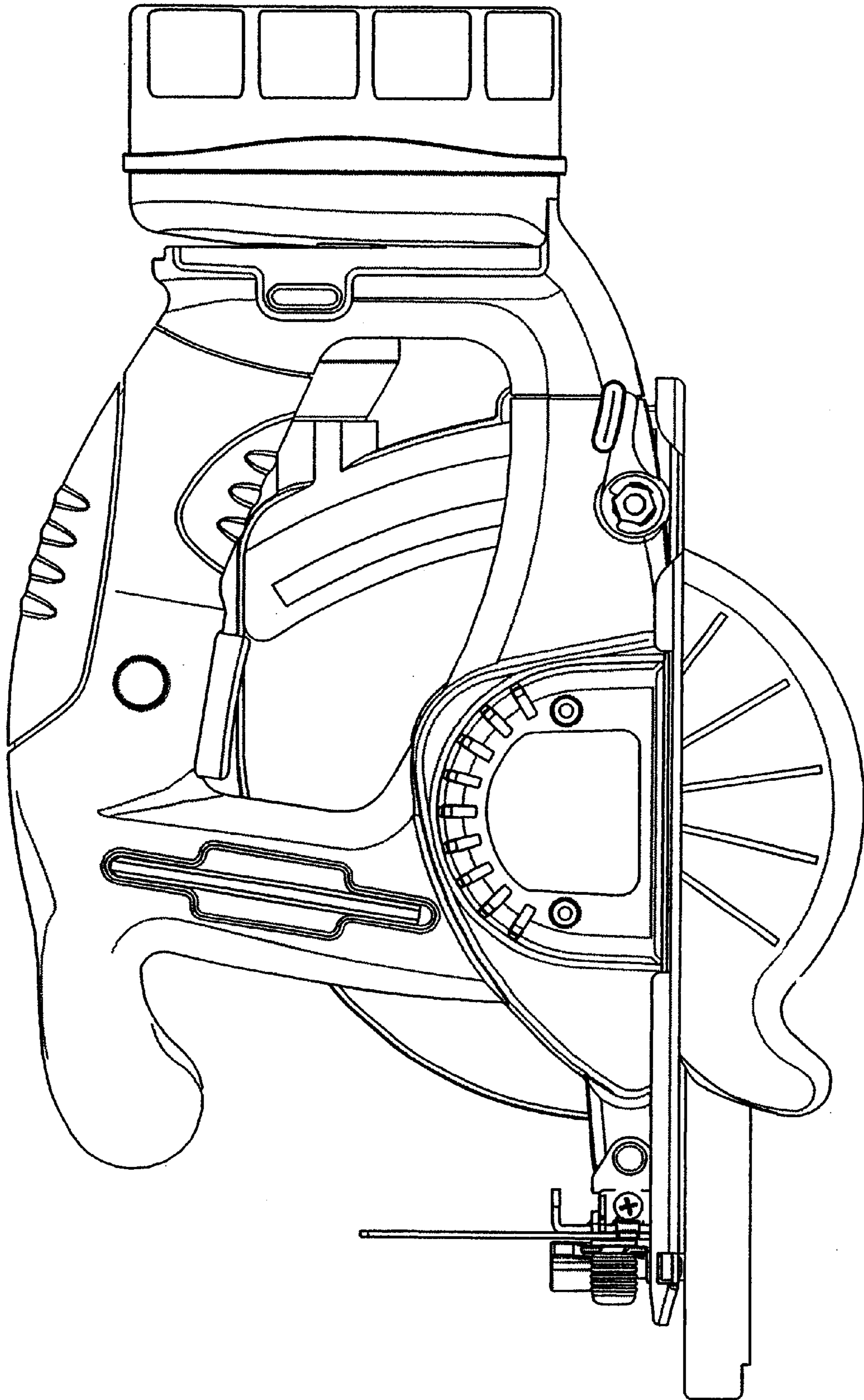


FIG. 3

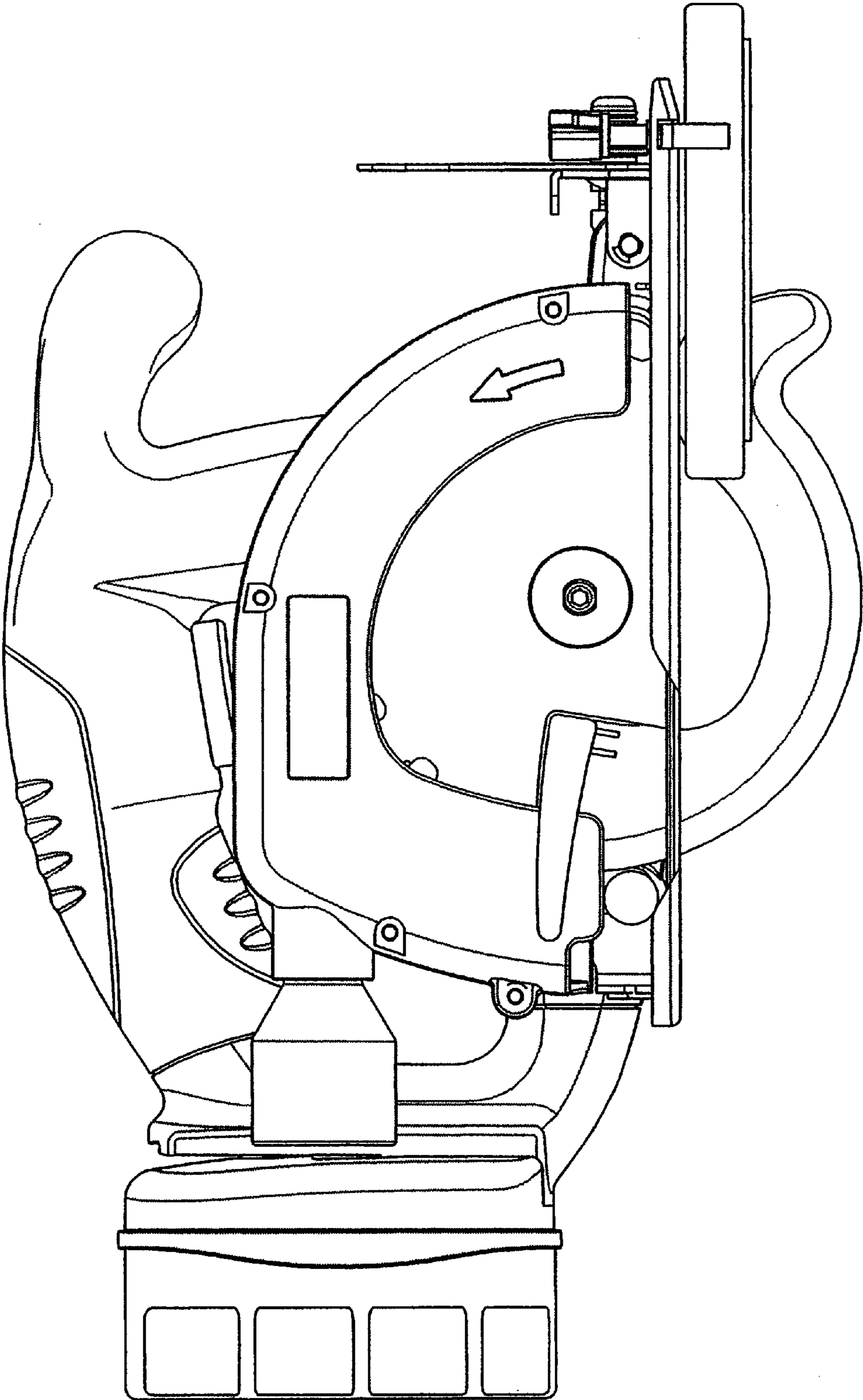


FIG. 4

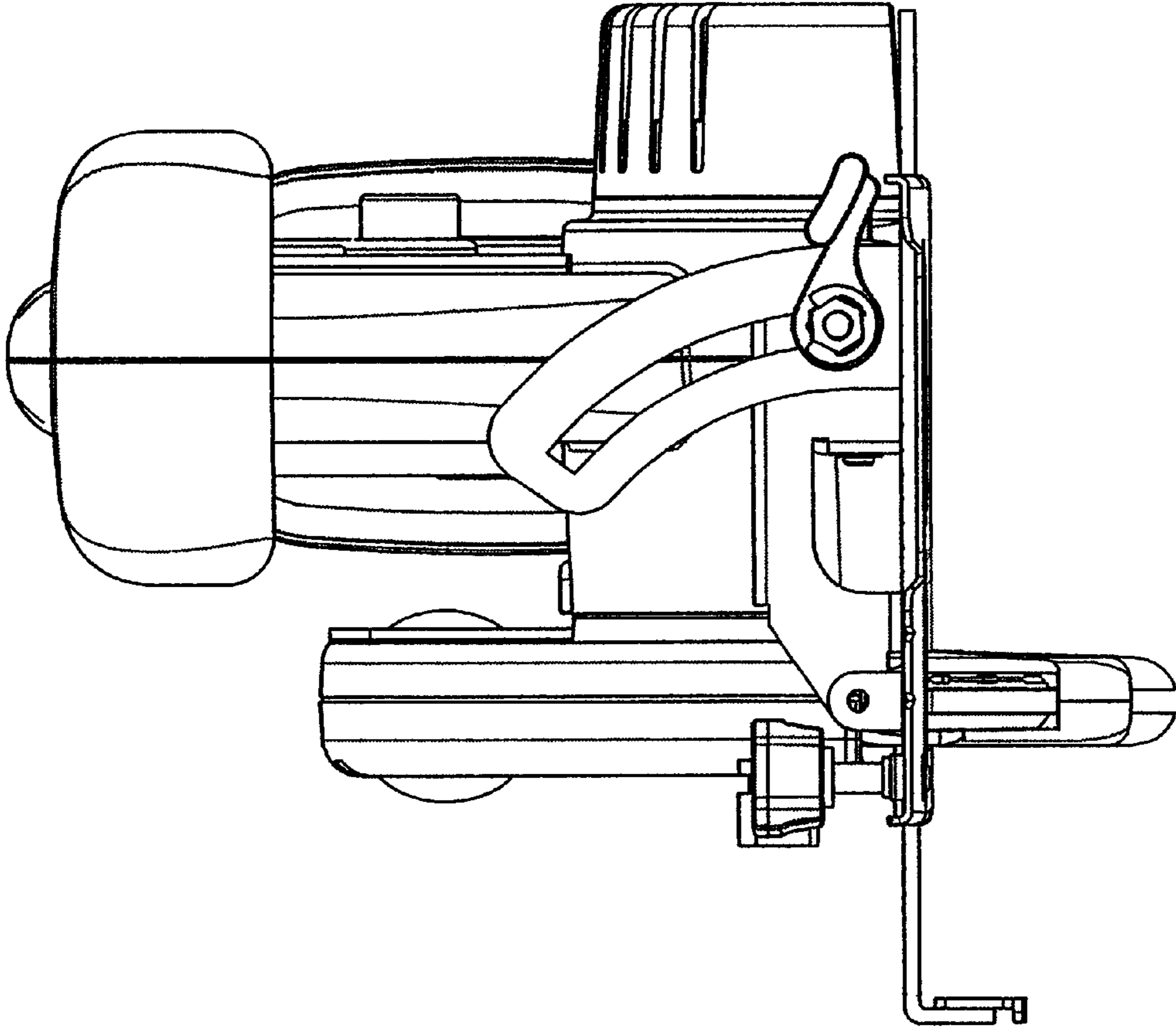


FIG. 5

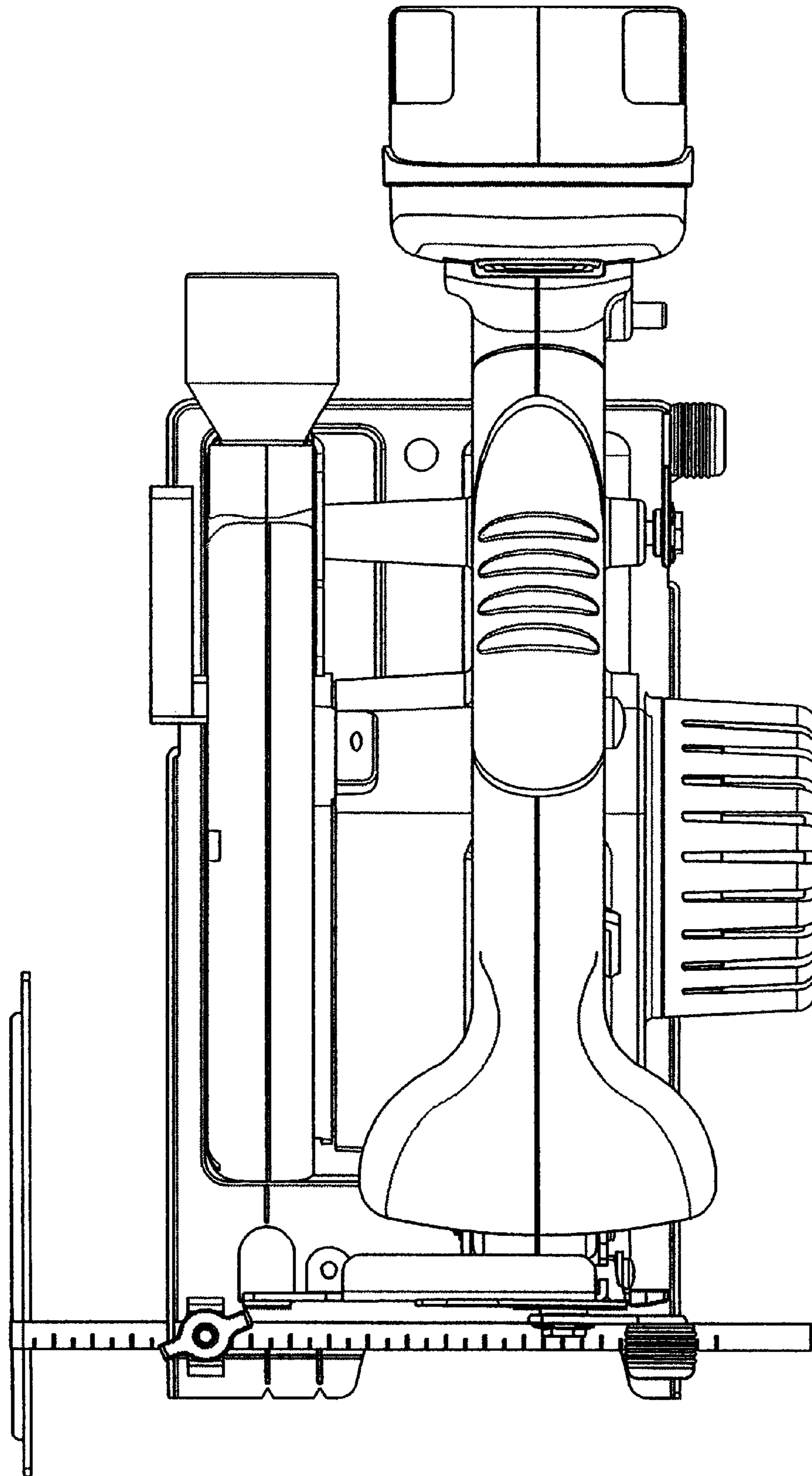


FIG. 6

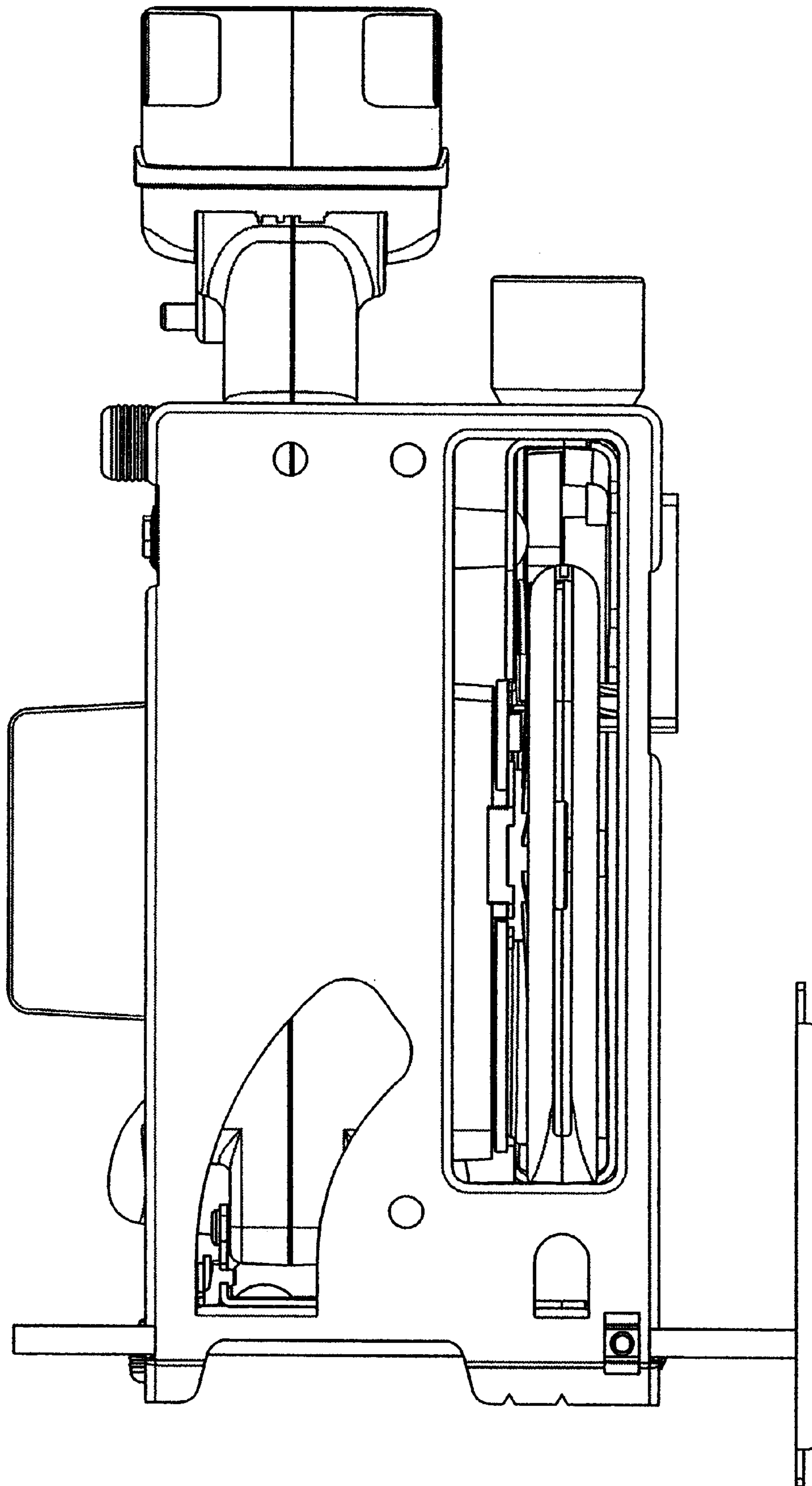


FIG. 7

UNITED STATES PATENT AND TRADEMARK OFFICE
CERTIFICATE OF CORRECTION

PATENT NO. : Des. 521,336 S
APPLICATION NO. : 29/209218
DATED : May 23, 2006
INVENTOR(S) : Huen

Page 1 of 1

It is certified that error appears in the above-identified patent and that said Letters Patent is hereby corrected as shown below:

On the title page, item:
(30):

Delete "Nov. 6, 2004" and insert --Jun. 11, 2004--.

Signed and Sealed this

Twenty-second Day of August, 2006

A handwritten signature in black ink on a light gray dotted background. The signature reads "Jon W. Dudas" in a cursive style.

JON W. DUDAS

Director of the United States Patent and Trademark Office