



US00D521335S

(12) **United States Design Patent** (10) **Patent No.:** **US D521,335 S**  
**Parel et al.** (45) **Date of Patent:** **\*\* May 23, 2006**

(54) **JIGSAW**  
(75) Inventors: **Thomas M. Parel**, Anderson, SC (US);  
**Kam Kee Wong**, Kowloon (HK)  
(73) Assignee: **One World Technologies Ltd.**,  
Hamilton (BM)  
(\*\*) Term: **14 Years**  
(21) Appl. No.: **29/213,474**  
(22) Filed: **Sep. 17, 2004**  
(51) **LOC (8) Cl.** ..... **08-03**  
(52) **U.S. Cl.** ..... **D8/64**  
(58) **Field of Classification Search** ..... D8/69,  
D8/68, 67, 66, 64, 61; 83/747, 699.21; 310/50;  
30/394, 393, 392, 391, 390, 377, 376; 173/217,  
173/216

See application file for complete search history.

(56) **References Cited**  
U.S. PATENT DOCUMENTS

D191,570 S	10/1961	Downs	
3,087,519 A	4/1963	McCarty et al.	
3,863,342 A	2/1975	Griffies et al.	
3,942,251 A	3/1976	Griffies et al.	
4,213,242 A	7/1980	Partington	
D295,945 S	* 5/1988	Sakamoto et al.	..... D8/64
D297,401 S	* 8/1988	Clowers	..... D8/64
D329,005 S	9/1992	Hoshino et al.	
D337,709 S	7/1993	Ogawa et al.	
D339,276 S	9/1993	Matsuoka et al.	
D404,274 S	1/1999	Ogasawara et al.	
D409,469 S	* 5/1999	Niwa et al.	..... D8/69
D410,183 S	5/1999	Thomson	
D414,094 S	9/1999	Heun	
5,987,758 A	11/1999	McCurry et al.	
D420,876 S	2/2000	Bosten et al.	
D423,314 S	4/2000	Robson	
D426,124 S	6/2000	Kassalen et al.	
6,161,293 A	12/2000	Watson	
D440,474 S	4/2001	Heun	
6,241,027 B1	6/2001	Beck et al.	
D446,703 S	8/2001	Netzler	

D451,356 S	12/2001	Pretzell	
D454,476 S	3/2002	Bruno	
6,357,124 B1	3/2002	Wall et al.	
D462,591 S	9/2002	Gist	
D463,963 S	10/2002	Metaxatos et al.	
6,553,675 B1	4/2003	Orrico	
D474,384 S	5/2003	Andriolo	
D475,264 S	* 6/2003	Kondo et al.	..... D8/64
D476,871 S	7/2003	Santarsiero et al.	
6,641,467 B1	11/2003	Robson et al.	
D483,637 S	* 12/2003	Tam et al.	..... D8/64
D484,381 S	12/2003	Yamada et al.	
D485,147 S	1/2004	Yamada et al.	
D486,711 S	2/2004	Tam et al.	
6,705,017 B1	3/2004	Ellis et al.	
2002/0178588 A1	12/2002	Okumura et al.	
2003/0167641 A1	9/2003	Teng	
2003/0196337 A1	10/2003	Wu	
2003/0196338 A1	10/2003	Eto et al.	

\* cited by examiner

*Primary Examiner*—Cathron C. Brooks  
*Assistant Examiner*—Austin Murphy  
(74) *Attorney, Agent, or Firm*—Brinks Hofer Gilson & Lione

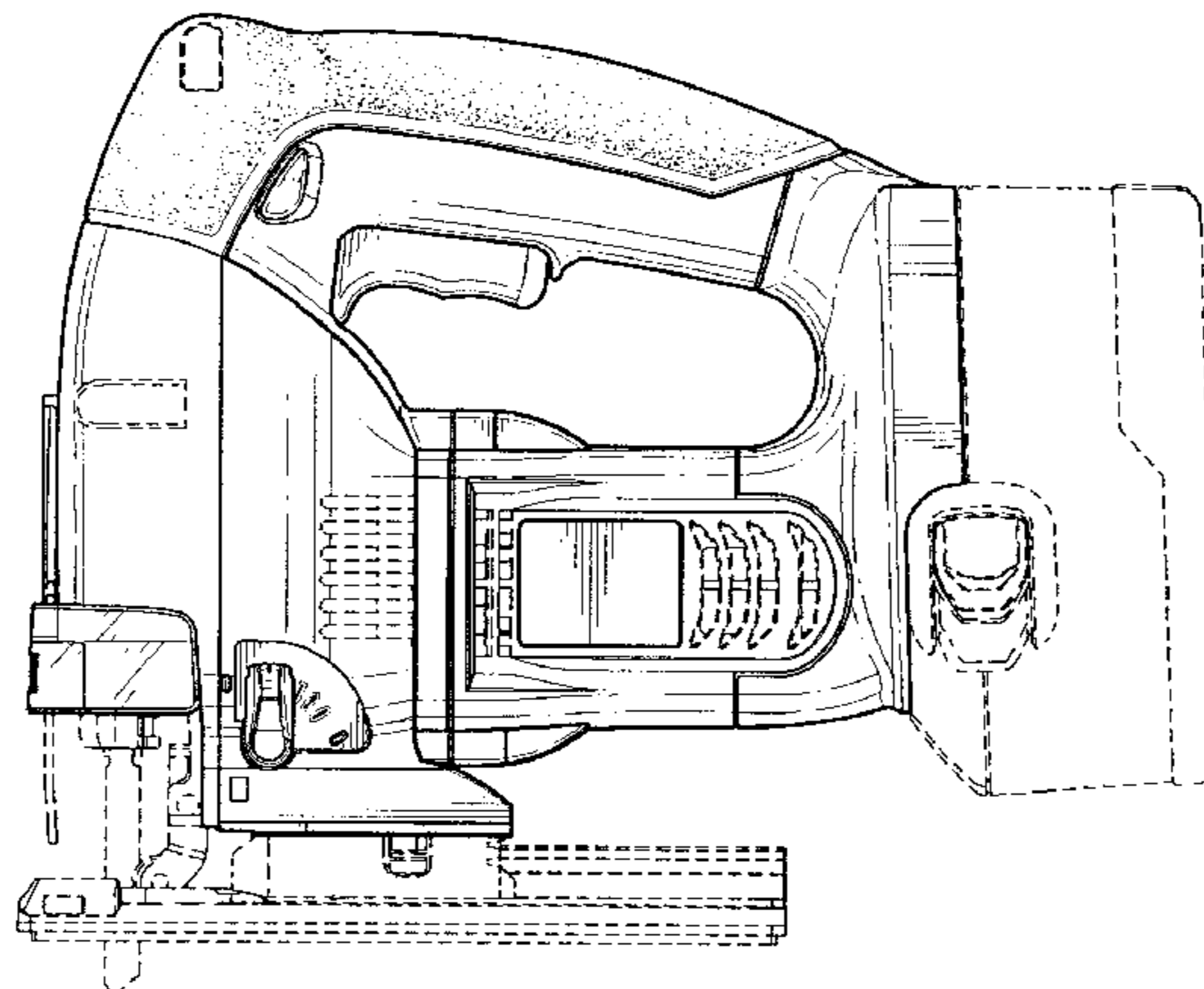
(57) **CLAIM**

We claim the ornamental design for a jigsaw, as shown and described.

**DESCRIPTION**

FIG. 1 is a top perspective view of a jigsaw of the present invention;  
FIG. 2 is a first side view thereof;  
FIG. 3 is a second side view thereof;  
FIG. 4 is a front view thereof;  
FIG. 5 is a rear view thereof;  
FIG. 6 is a top view thereof; and,  
FIG. 7 is a bottom view thereof.  
The ornamental design which is claimed is shown in solid lines in the drawings. Any broken lines in the drawings are for illustrative purposes only and form no part of the claimed design.

**1 Claim, 4 Drawing Sheets**



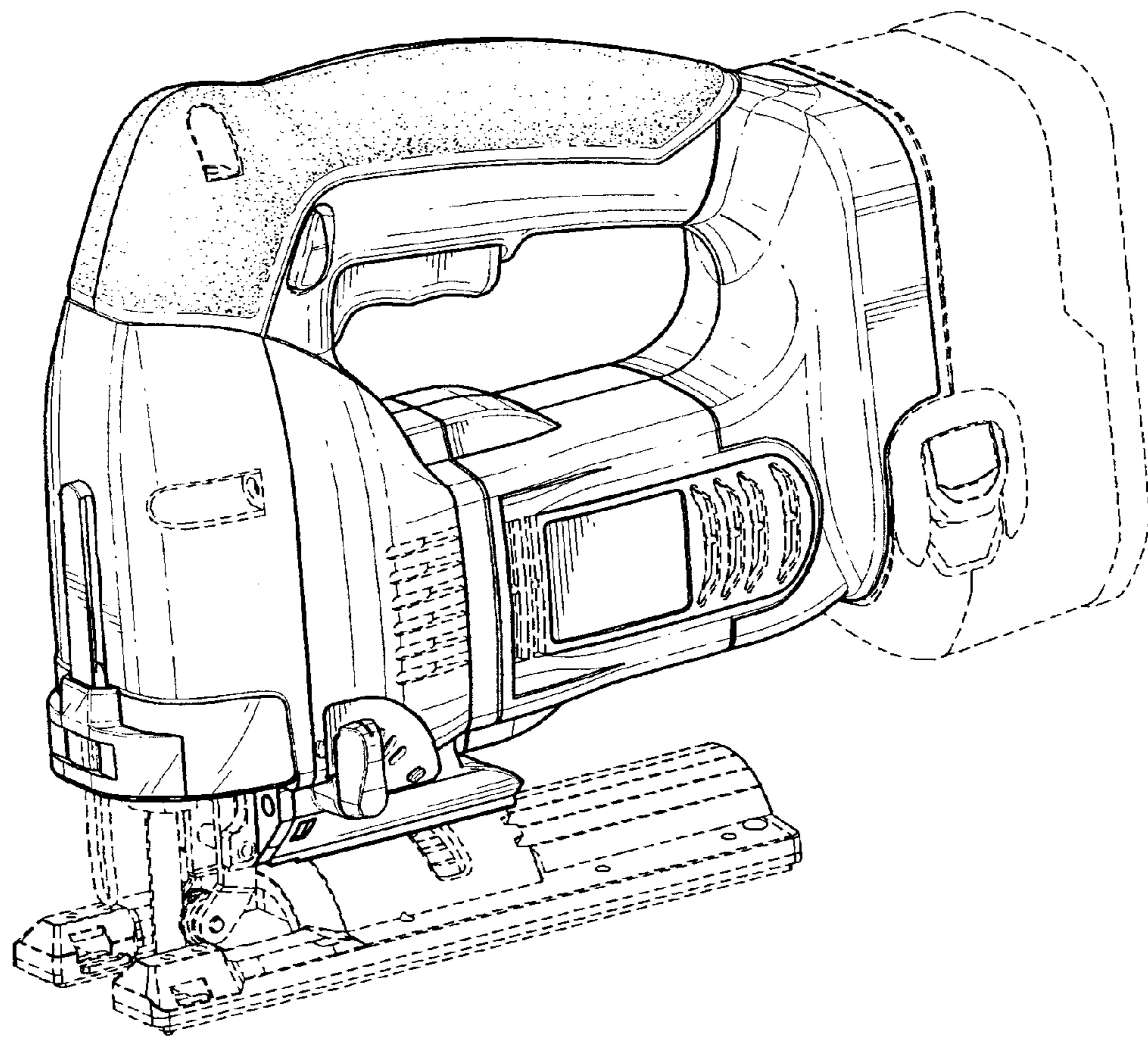


FIG. 1

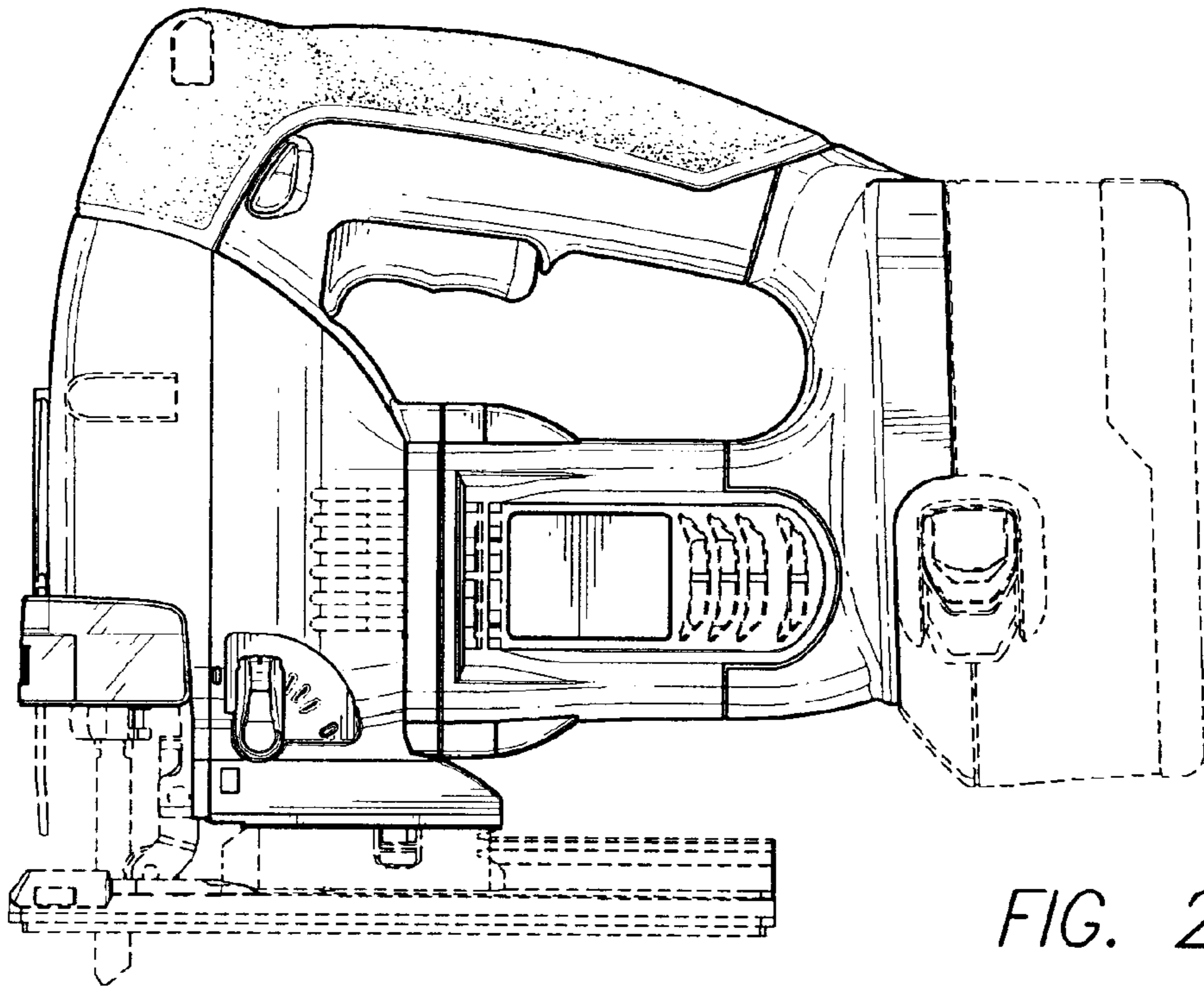


FIG. 2

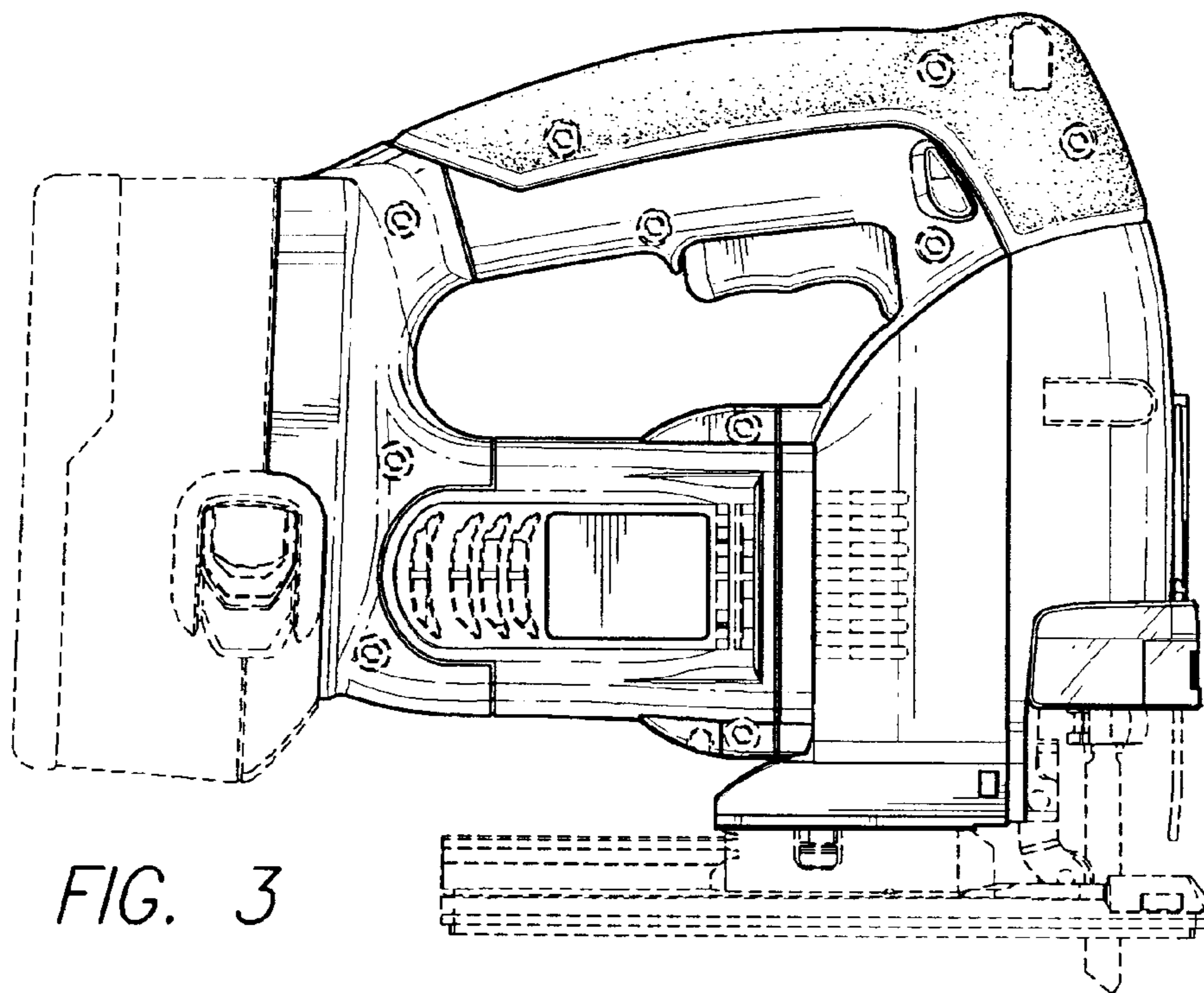


FIG. 3

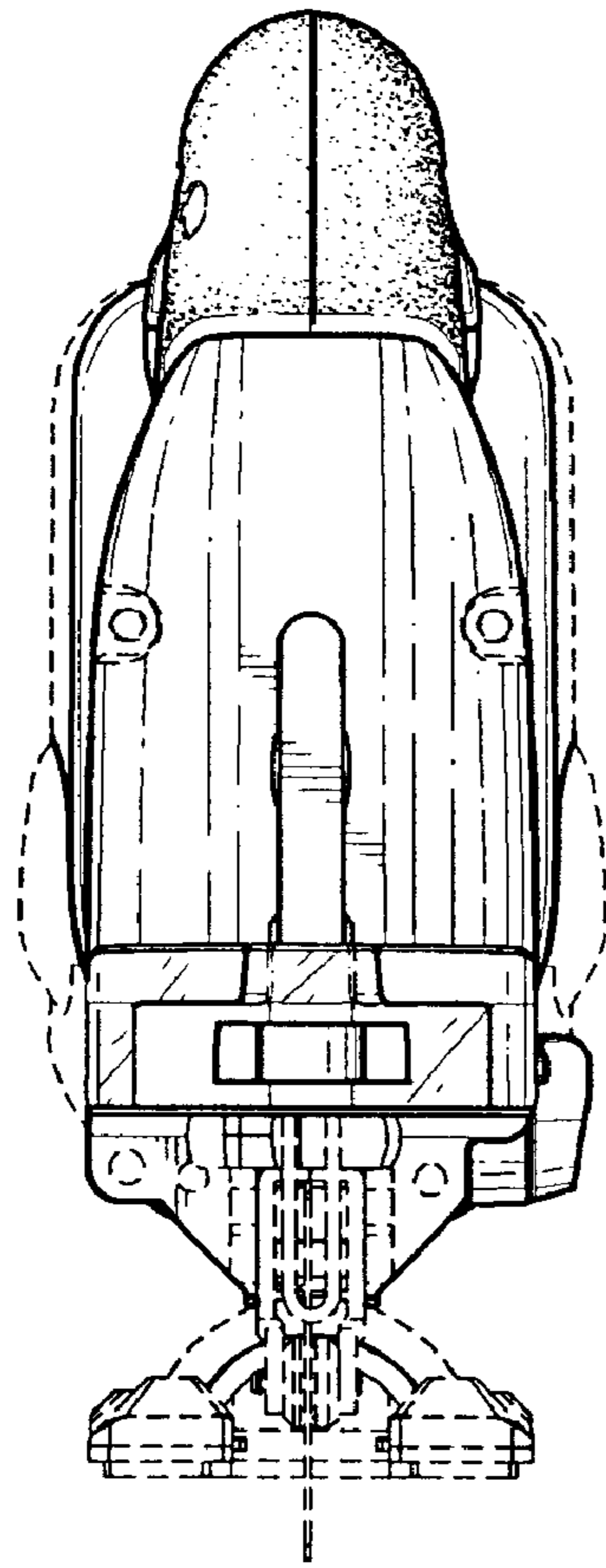
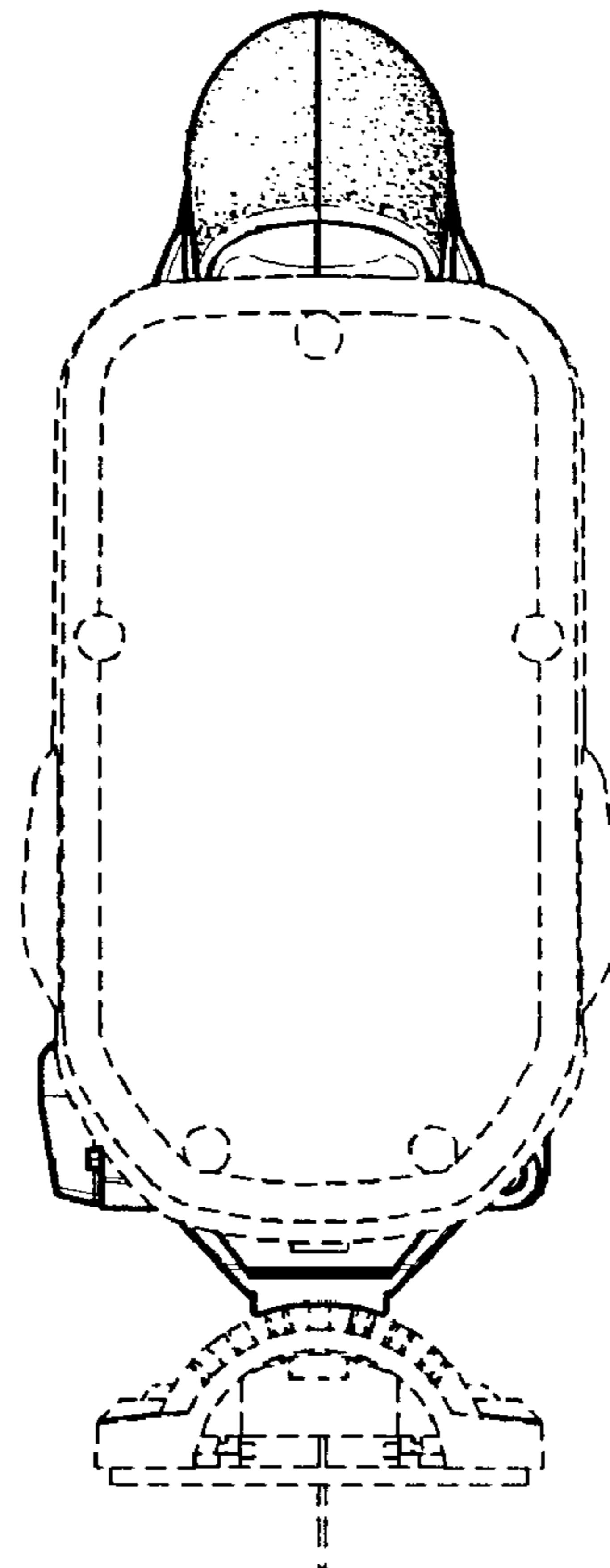


FIG. 4

FIG. 5



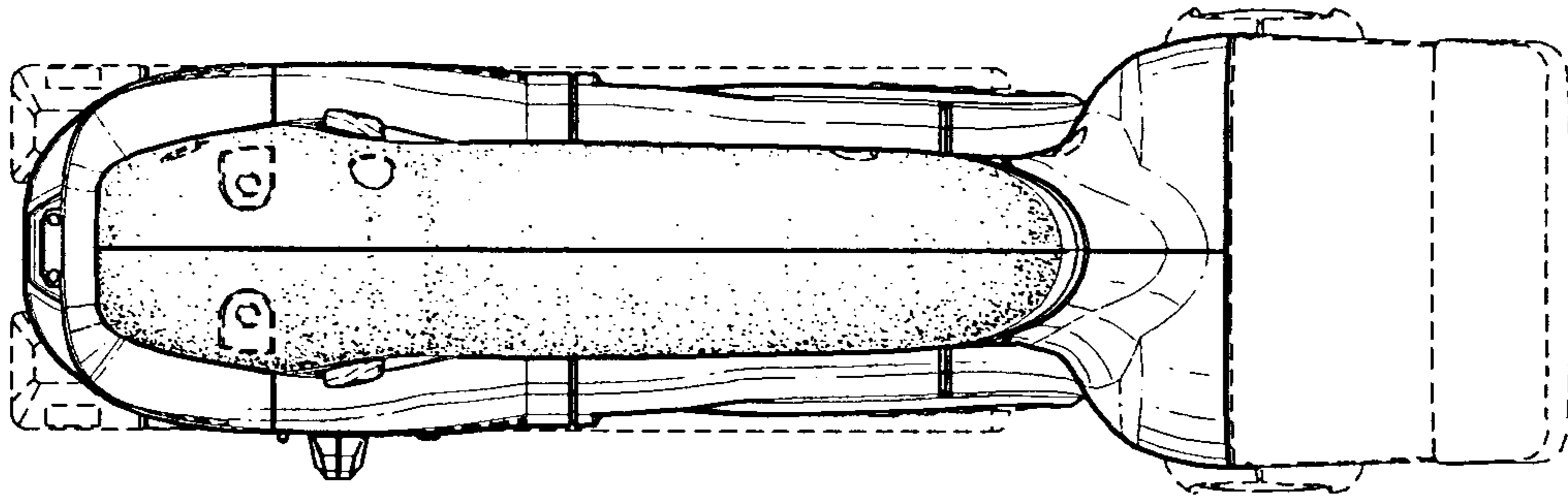


FIG. 6

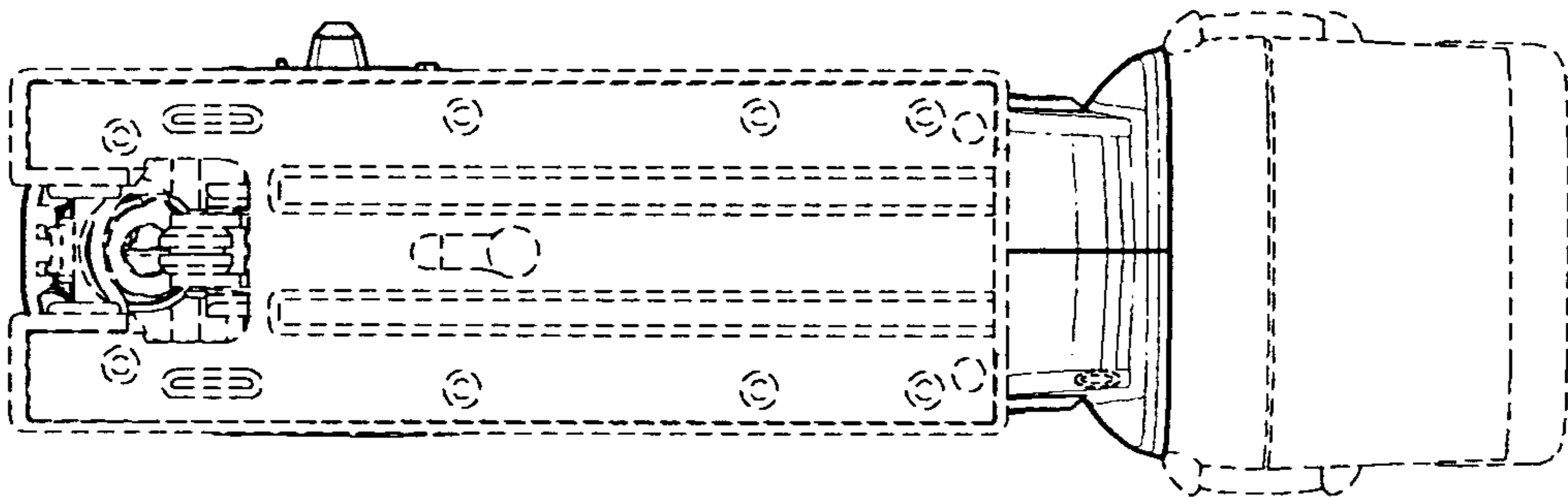


FIG. 7