



US00D521334S

(12) **United States Design Patent**  
**Chen**

(10) **Patent No.:** **US D521,334 S**

(45) **Date of Patent:** **\*\* May 23, 2006**

(54) **PNEUMATIC TOOL**

(75) Inventor: **Lung-Pao Chen**, Hsinchu (TW)

(73) Assignee: **Sunmatch Industrial Co., LTD**,  
Zhubei (TW)

(\*\*) Term: **14 Years**

(21) Appl. No.: **29/223,032**

(22) Filed: **Feb. 9, 2005**

(51) **LOC (8) Cl.** ..... **08-01**

(52) **U.S. Cl.** ..... **D8/62**

(58) **Field of Classification Search** ..... D8/69,  
D8/67, 62, 61; 451/359, 358, 357, 356, 354,  
451/353, 351, 344, 294; 173/168  
See application file for complete search history.

(56) **References Cited**

**U.S. PATENT DOCUMENTS**

D332,560 S	*	1/1993	Mikiya	.....	D8/62
D351,772 S	*	10/1994	Price	.....	D8/62
D378,183 S	*	2/1997	Dognini	.....	D8/62
D396,175 S	*	7/1998	Chung	.....	D8/62
D411,424 S	*	6/1999	Saito	.....	D8/62

D437,199 S	*	2/2001	Robson	.....	D8/62
D447,029 S	*	8/2001	Sun et al.	.....	D8/61
D479,969 S	*	9/2003	Robson et al.	.....	D8/62
D511,285 S	*	11/2005	Henssler et al.	.....	D8/62

\* cited by examiner

*Primary Examiner*—Cathron C. Brooks

*Assistant Examiner*—Austin Murphy

(74) *Attorney, Agent, or Firm*—Birch Stewart Kolasch &  
Birch LLP

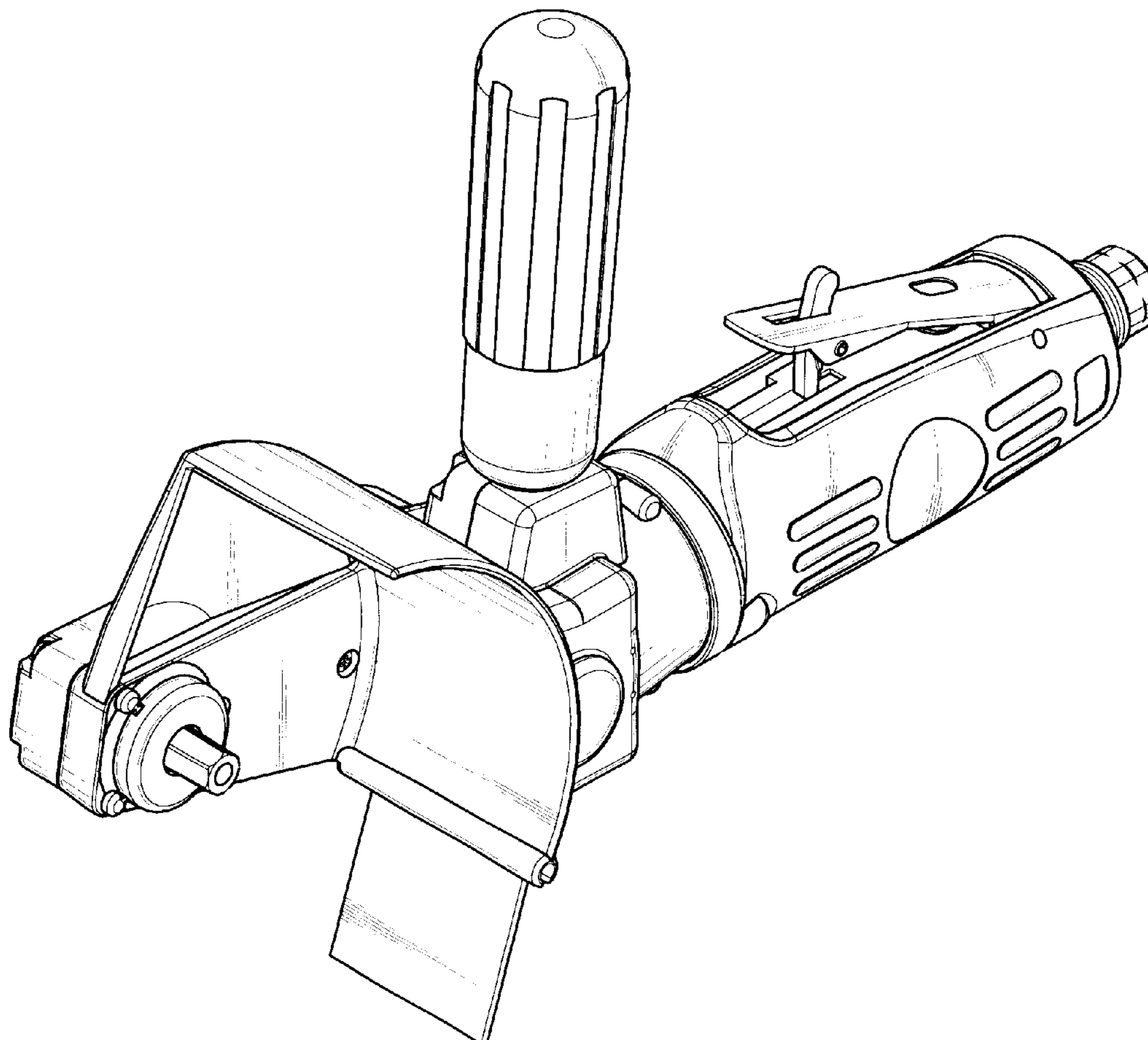
(57) **CLAIM**

The ornamental design for “pneumatic tool,” as shown and described.

**DESCRIPTION**

FIG. 1 is a perspective view of “pneumatic tool” showing my new design thereof;  
FIG. 2 is a right side elevational view thereof;  
FIG. 3 is a top plan view thereof;  
FIG. 4 is a front side elevational view thereof;  
FIG. 5 is a bottom plan view thereof;  
FIG. 6 is a left side elevational view thereof; and,  
FIG. 7 is a rear side elevational view thereof.

**1 Claim, 5 Drawing Sheets**



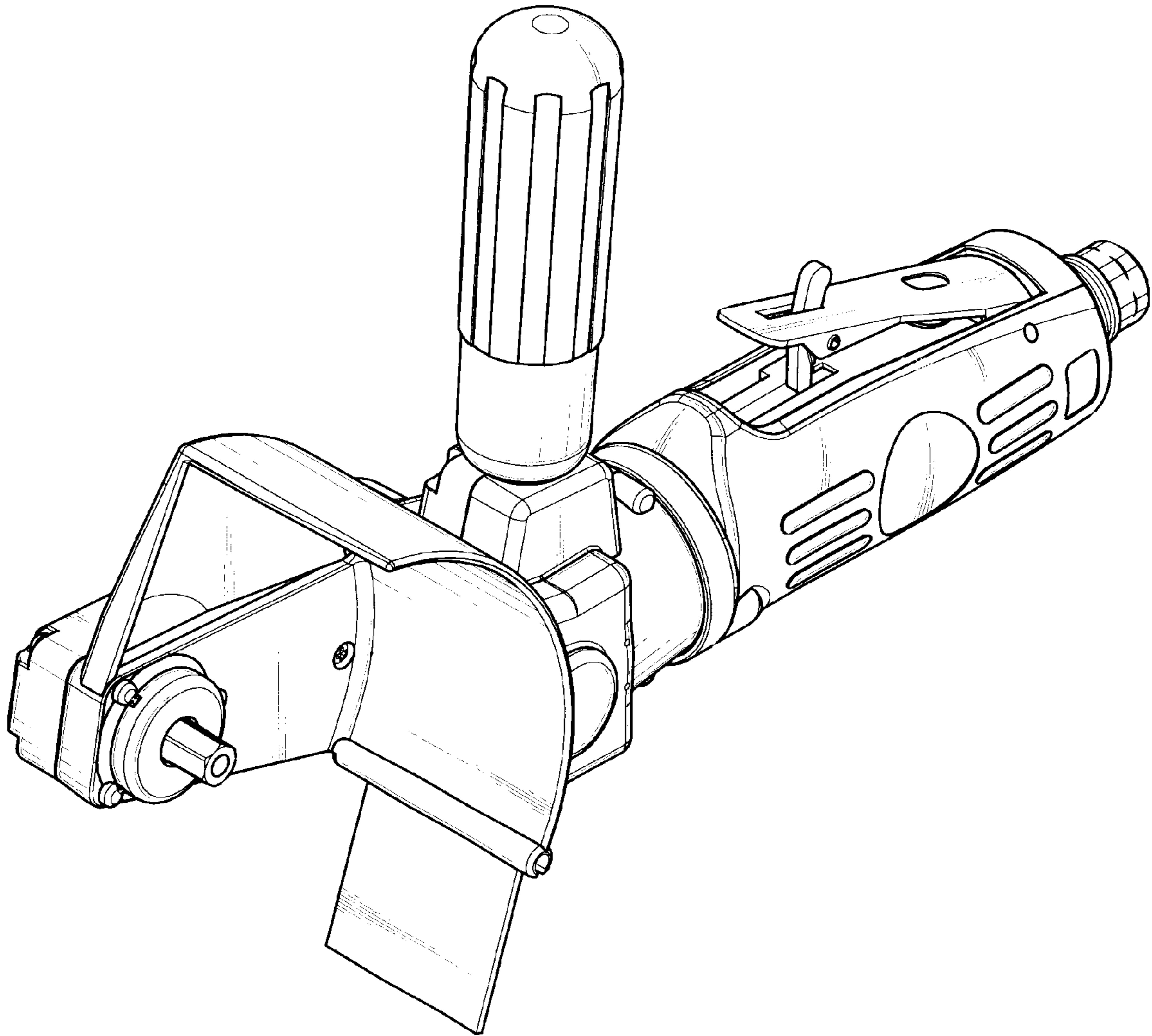


Fig.1

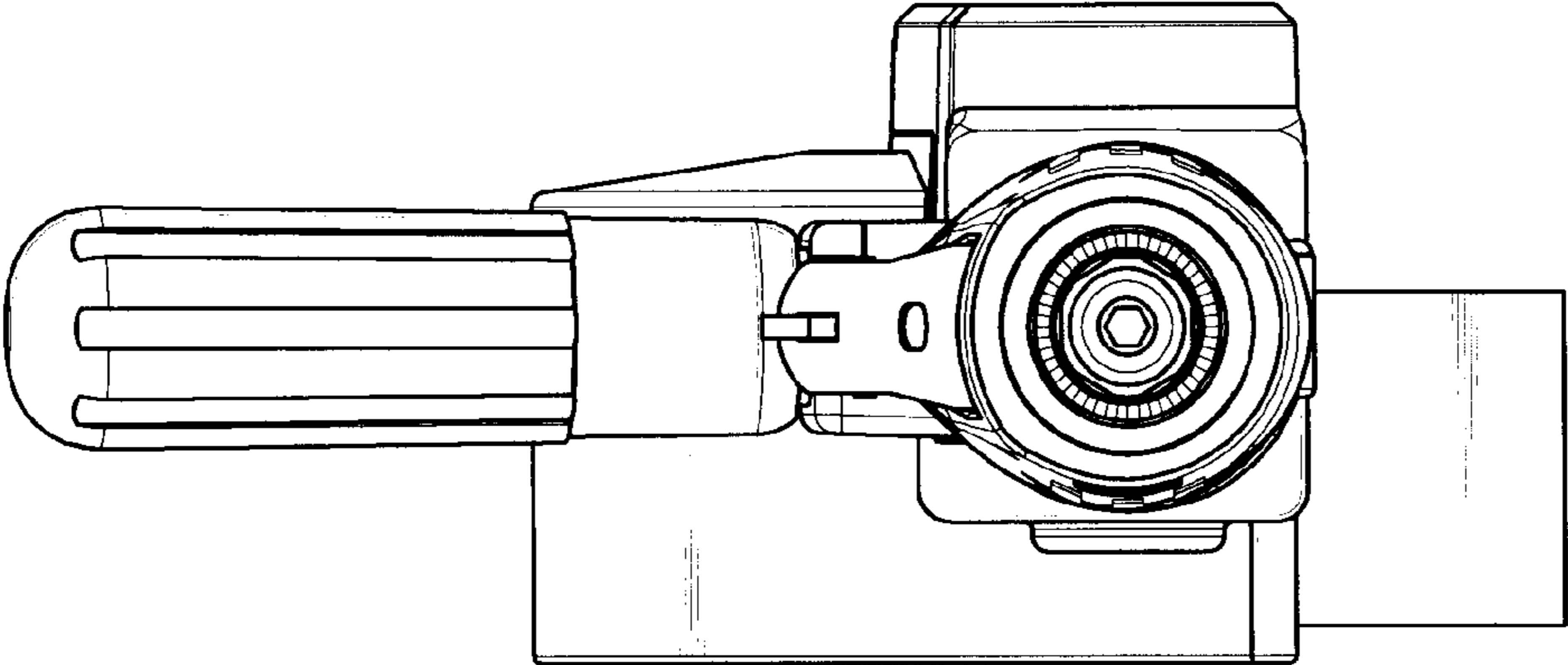


Fig. 2

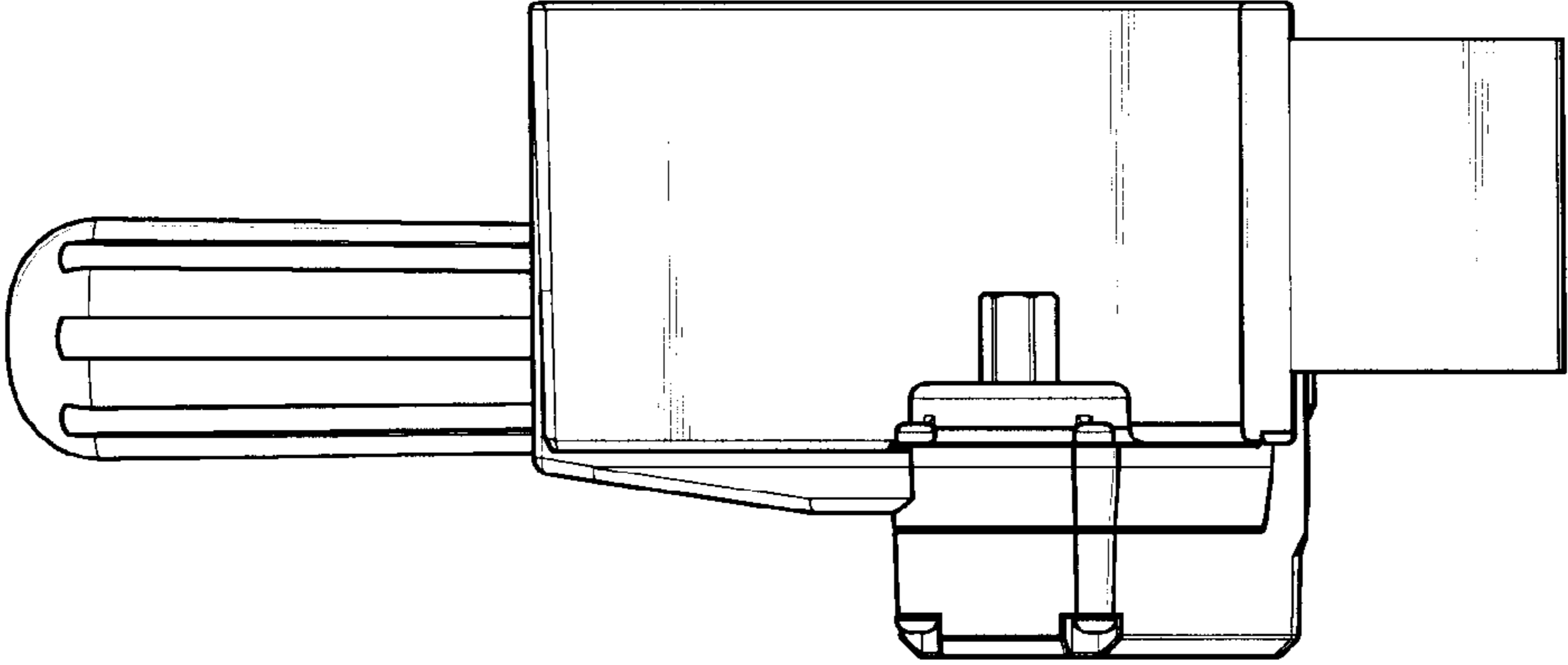


Fig. 6

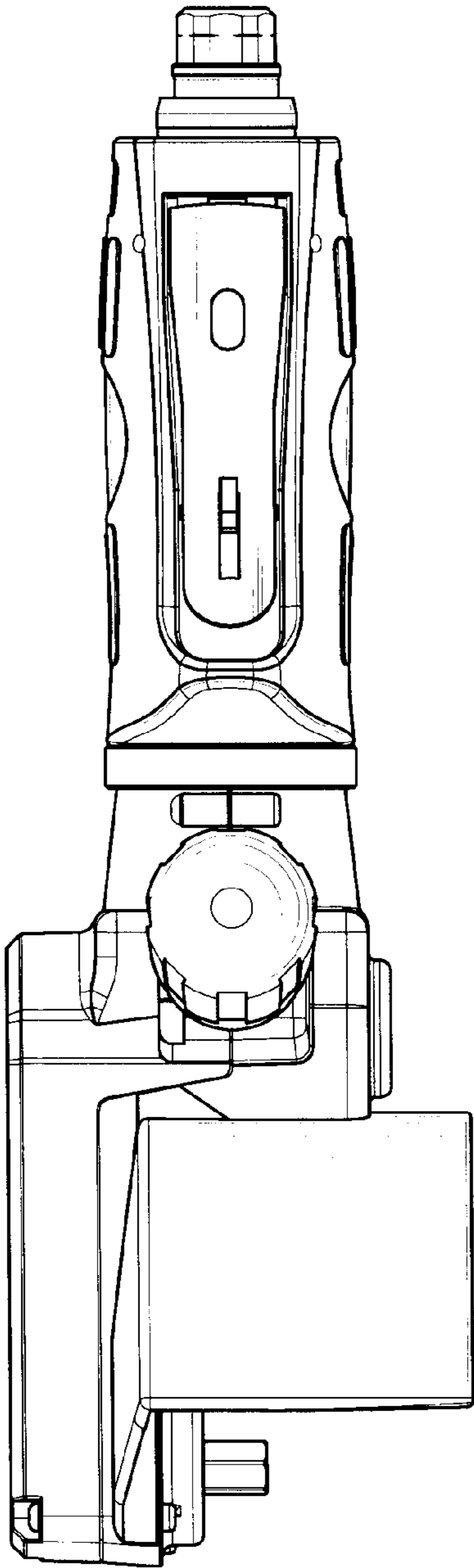


Fig. 3

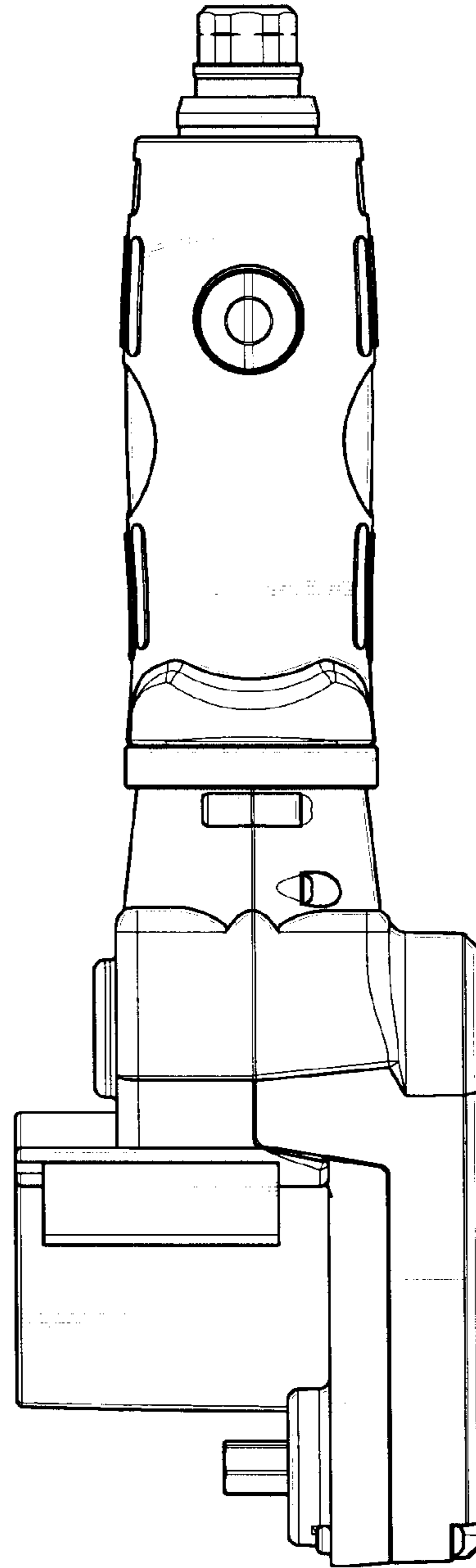


Fig. 5

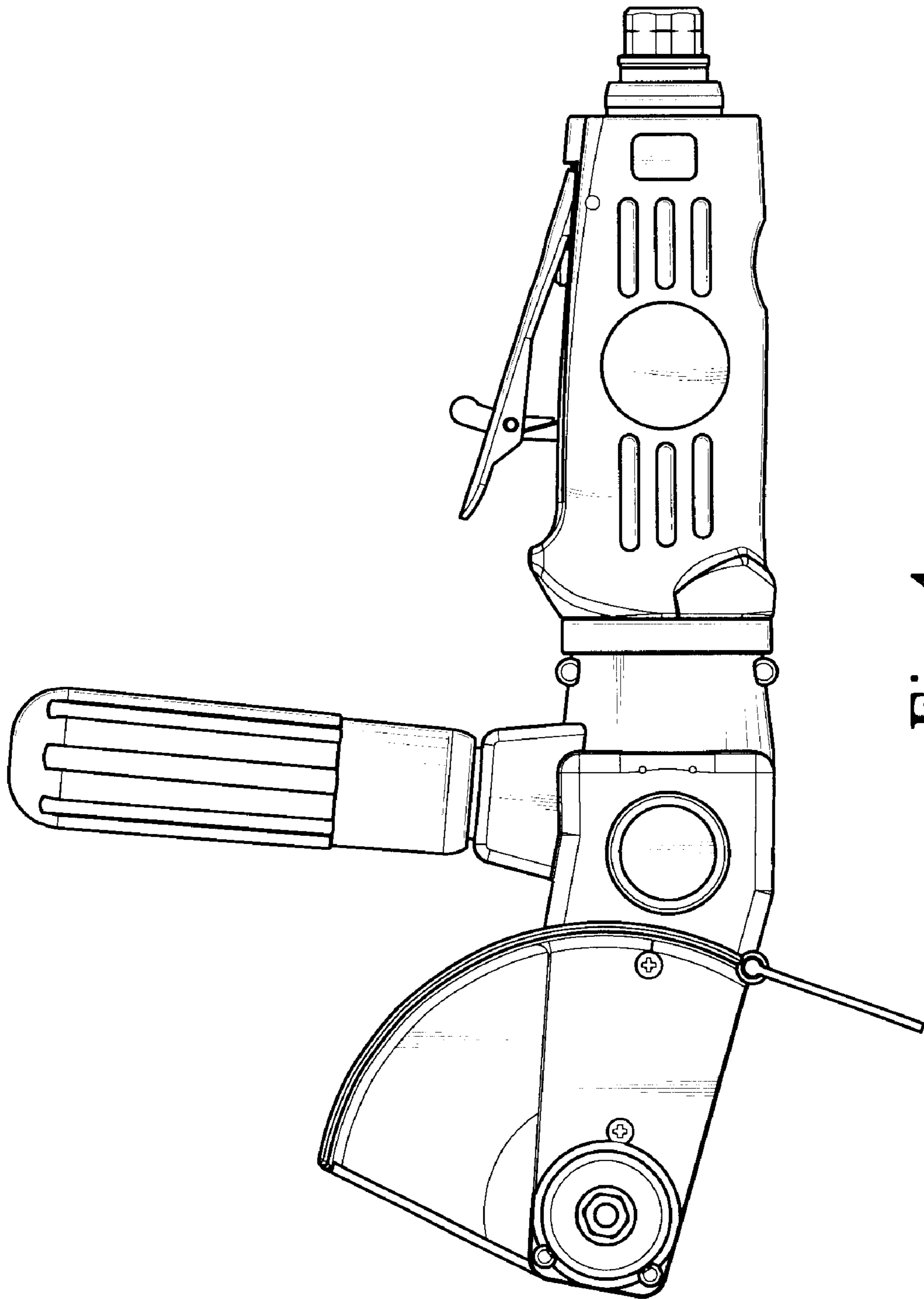


Fig. 4

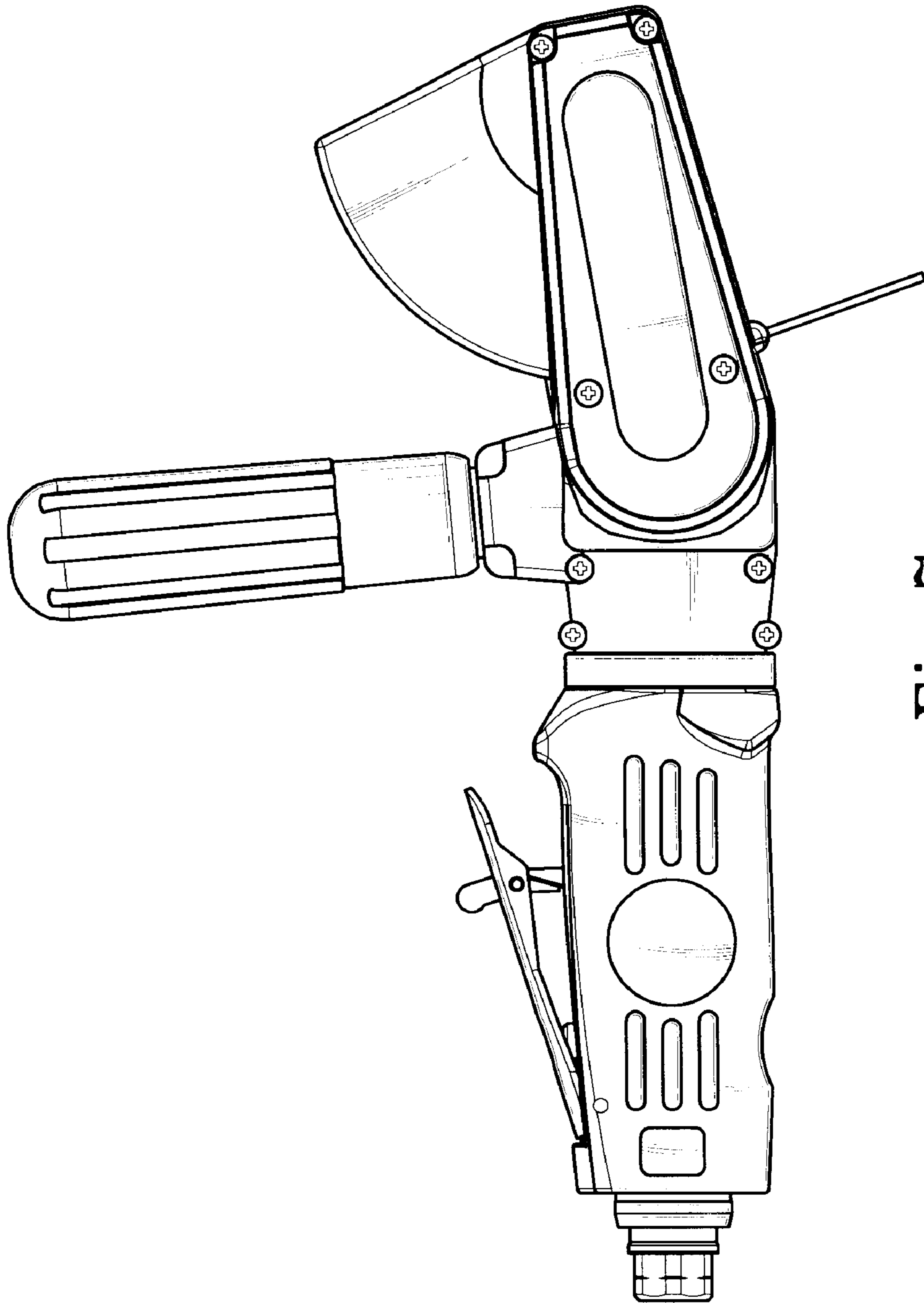


Fig. 7