

US00D521333S

(12) **United States Design Patent** (10) **Patent No.:** **US D521,333 S**
Yu (45) **Date of Patent:** **** May 23, 2006**

(54) **ALLOYED CORKSCREW**

(75) Inventor: **Kwok Leung Yu, Kwai Chung (HK)**

(73) Assignee: **Ko Fung Products Industrial Limited, New Territories (HK)**

(**) Term: **14 Years**

(21) Appl. No.: **29/223,532**

(22) Filed: **Feb. 16, 2005**

(51) **LOC (8) Cl.** **07-99**

(52) **U.S. Cl.** **D8/39**

(58) **Field of Classification Search** D8/33-43,
D8/105; D7/665, 66, 680, 683-687; D27/195;
7/113, 151-155; 30/113.1, 113.2, 113.3; 81/3.45,
81/3.48, 3.49

See application file for complete search history.

(56) **References Cited**

U.S. PATENT DOCUMENTS

D445,008 S	*	7/2001	Andina et al.	D8/42
D465,710 S	*	11/2002	Kao	D8/39
D471,777 S	*	3/2003	Yu	D8/39
D472,118 S	*	3/2003	Kehoe	D8/39
D477,757 S	*	7/2003	Yu	D8/42

D477,973 S	*	8/2003	Yu	D8/39
D487,684 S	*	3/2004	Kehoe	D8/39
D488,692 S	*	4/2004	Andina	D8/42
D505,848 S	*	6/2005	Lee	D8/42

* cited by examiner

Primary Examiner—Caron D. Veynar

Assistant Examiner—Garth Rademaker

(74) *Attorney, Agent, or Firm*—Rabin & Berdo, P.C.

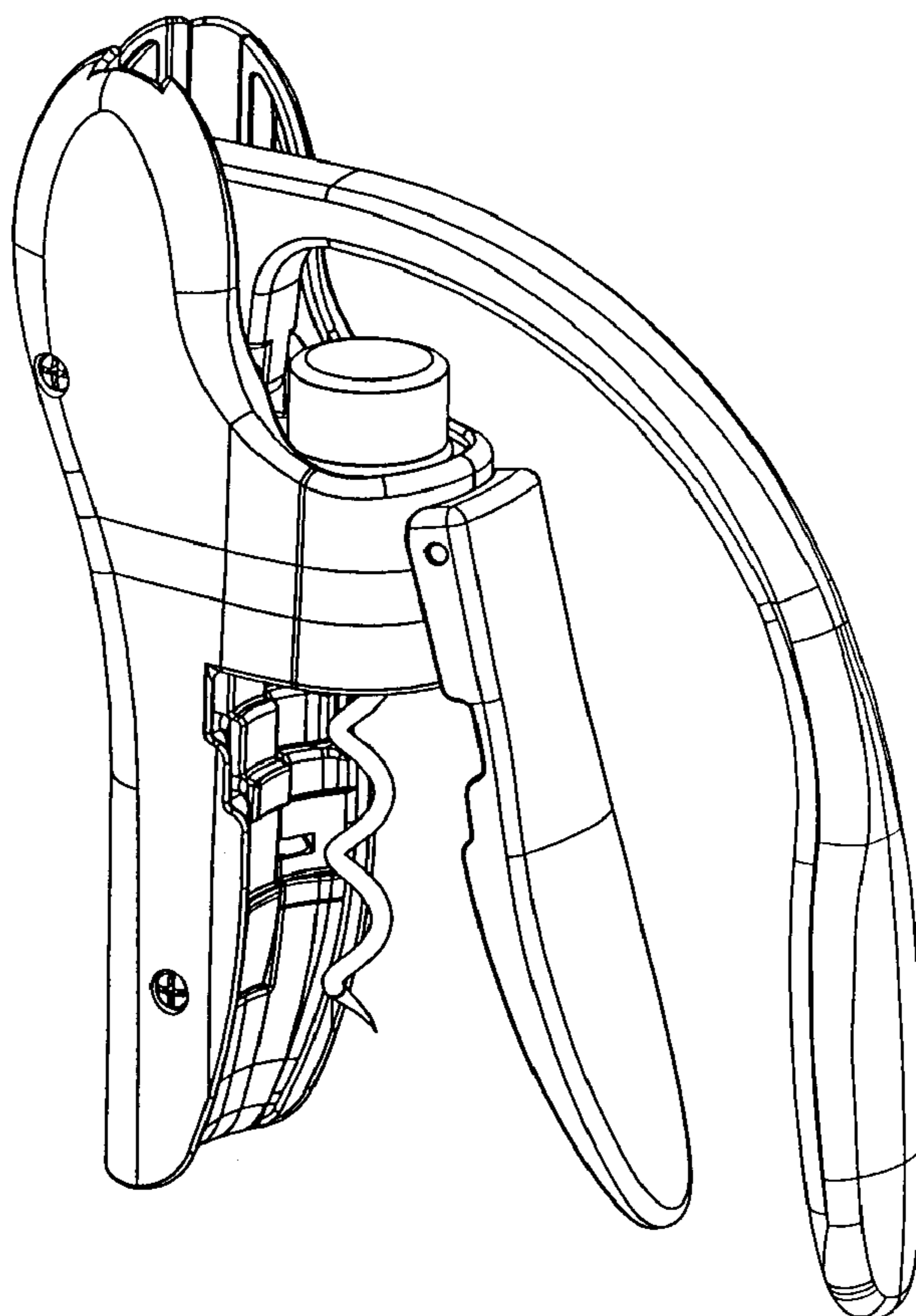
(57) **CLAIM**

The ornamental design for an alloyed corkscrew, as shown and described.

DESCRIPTION

FIG. 1 is a front view of an alloyed corkscrew showing my new design;
FIG. 2 is a rear view thereof;
FIG. 3 is a left side view thereof;
FIG. 4 is a right side view thereof;
FIG. 5 is a top view thereof;
FIG. 6 is a bottom view thereof;
FIG. 7 is a front perspective view thereof; and,
FIG. 8 is a front perspective view with parts in alternative position.

1 Claim, 5 Drawing Sheets



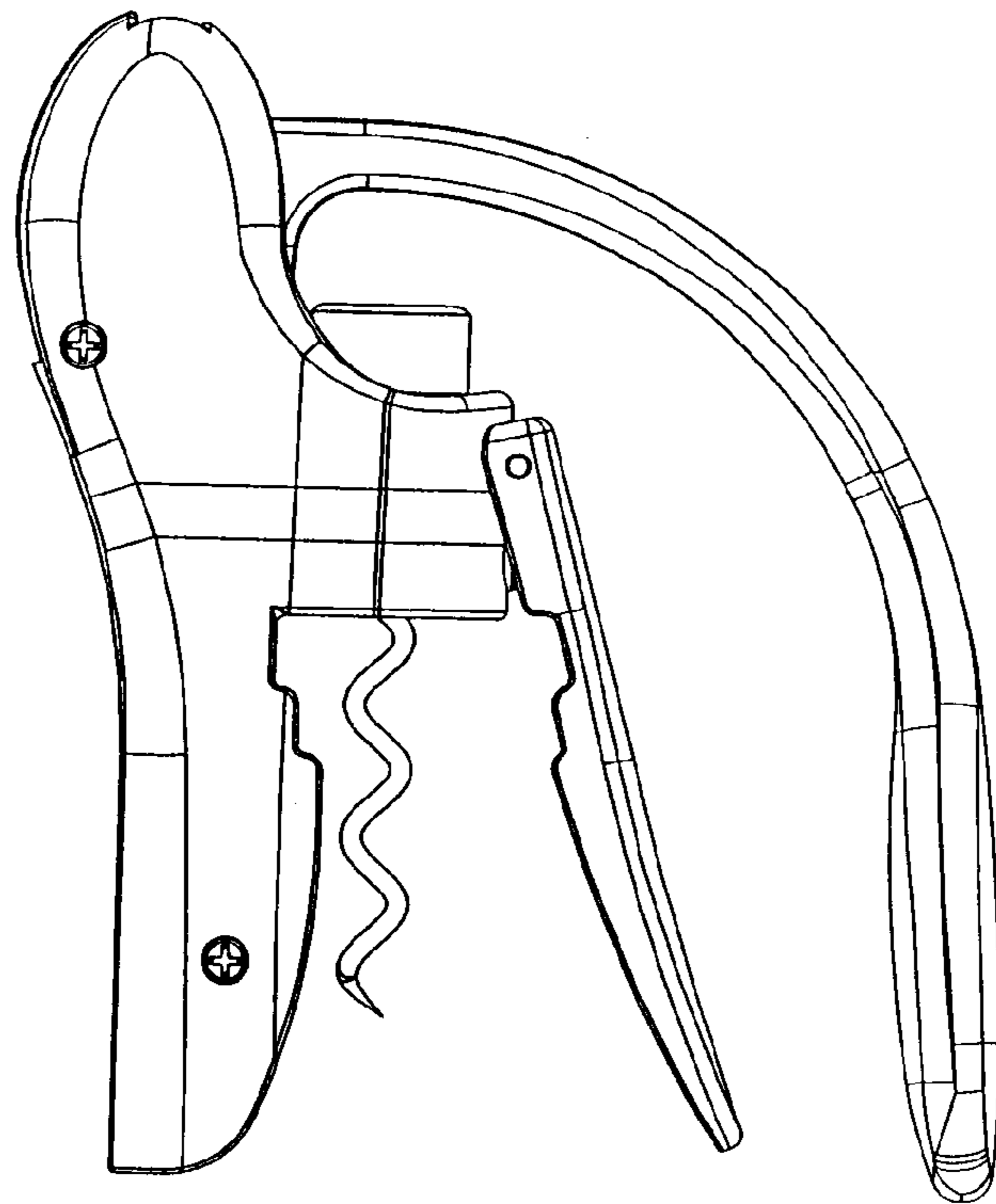


FIG. 1

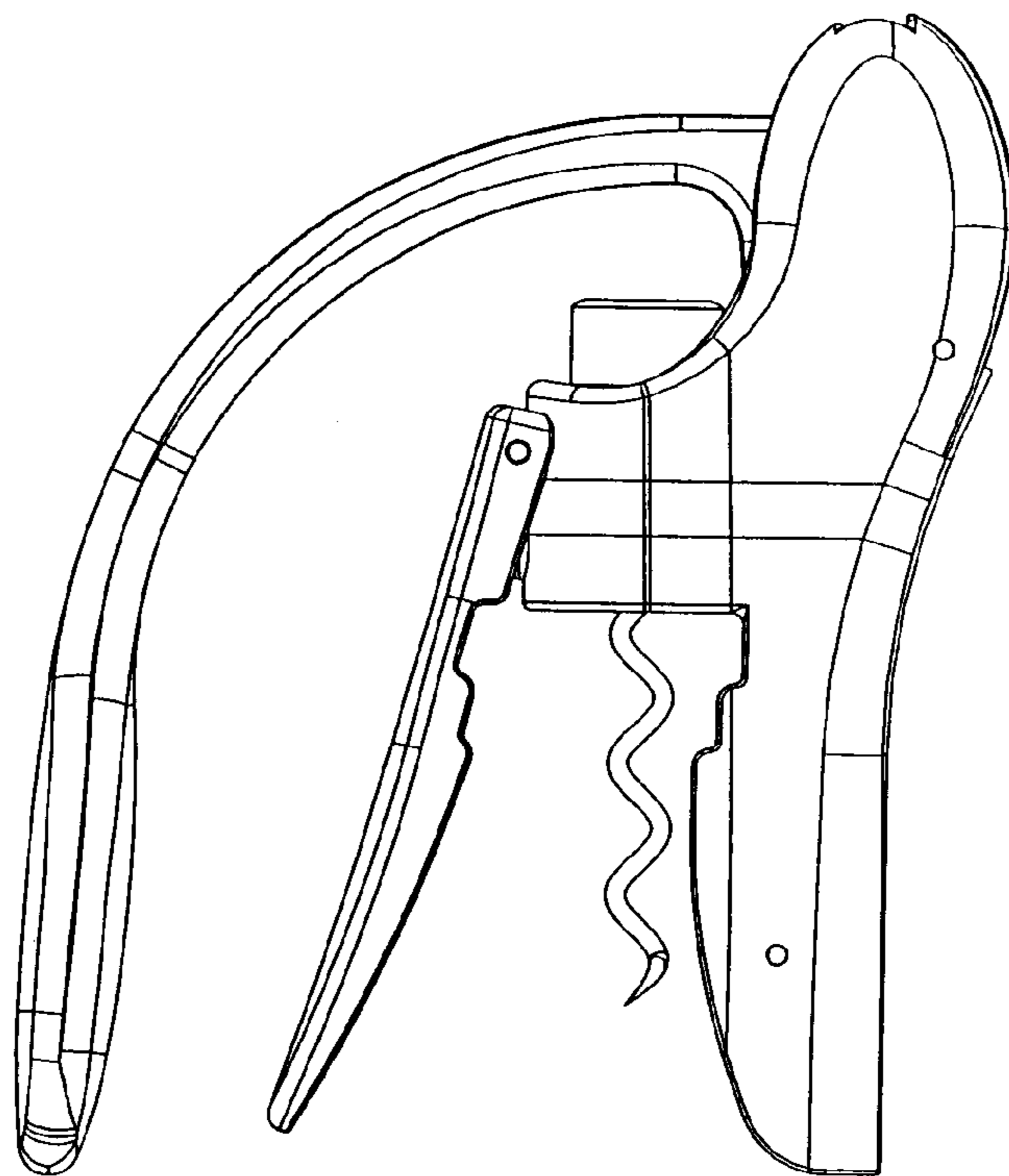


FIG. 2

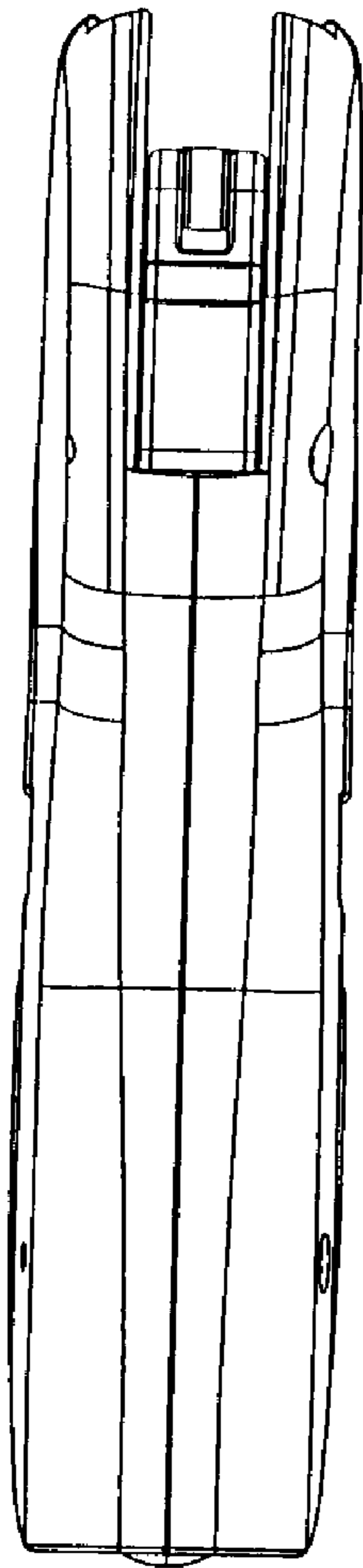


FIG. 3

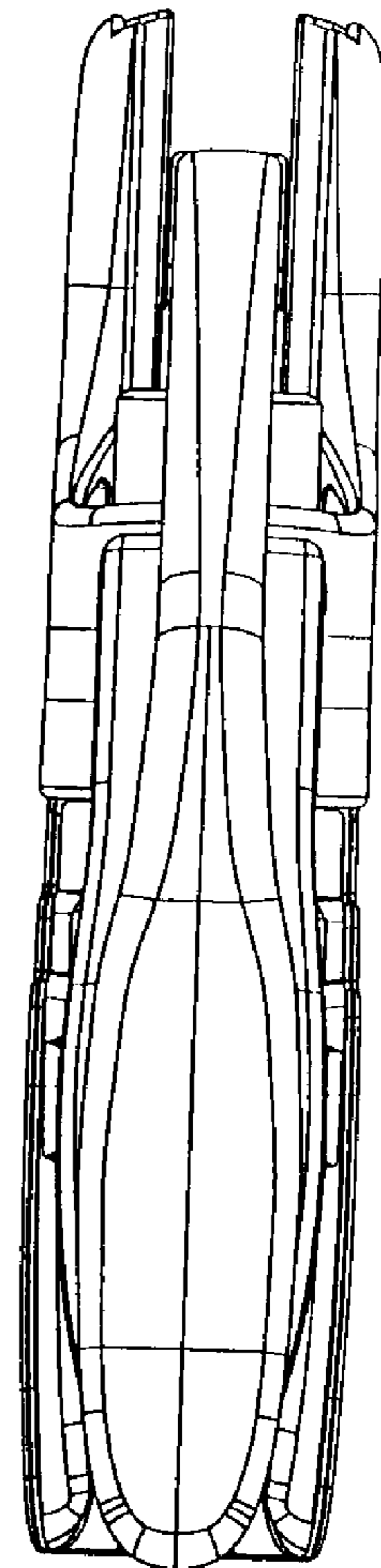


FIG. 4

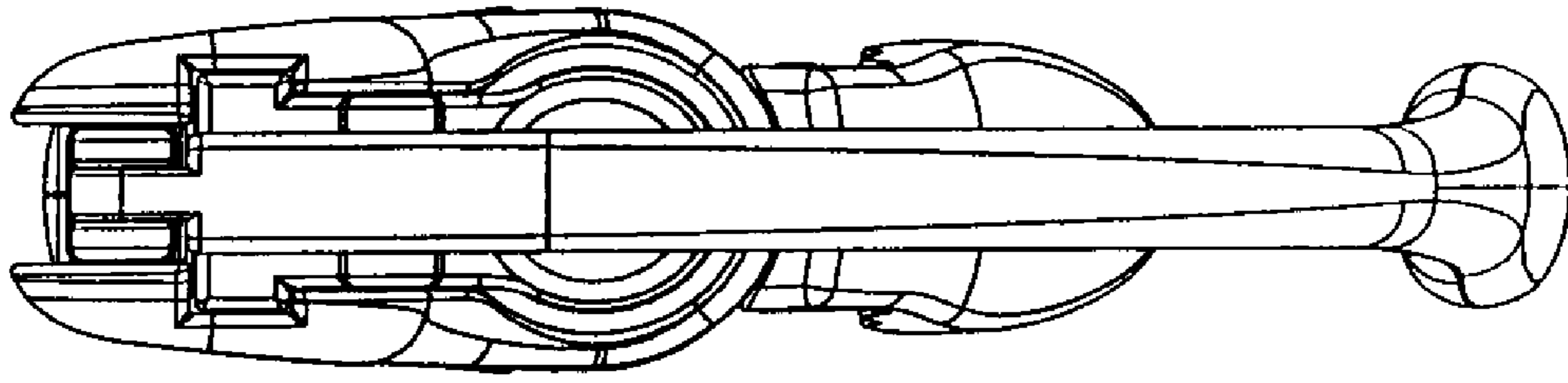


FIG. 5

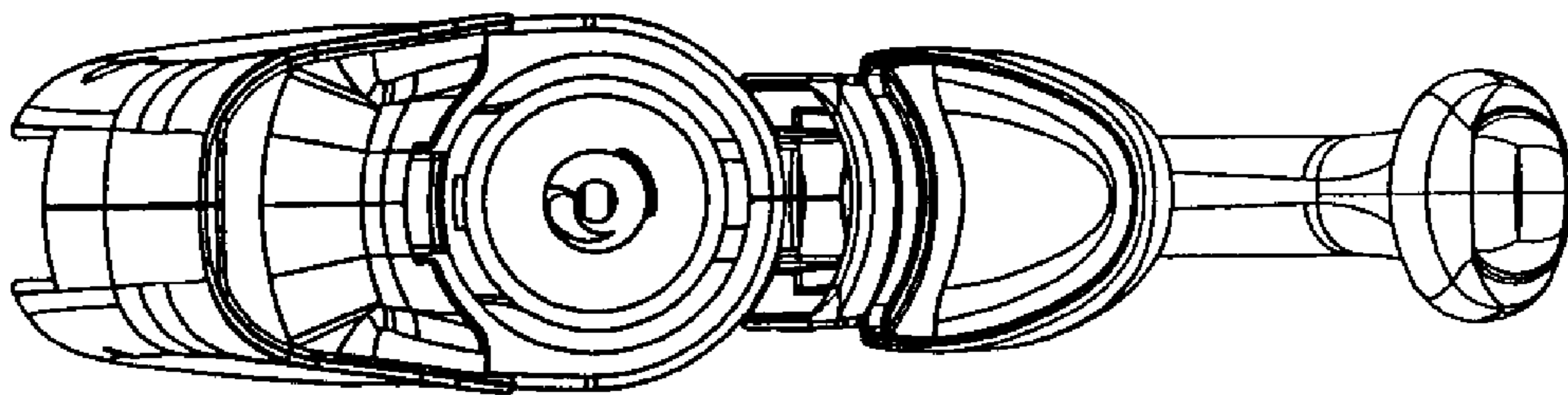


FIG. 6

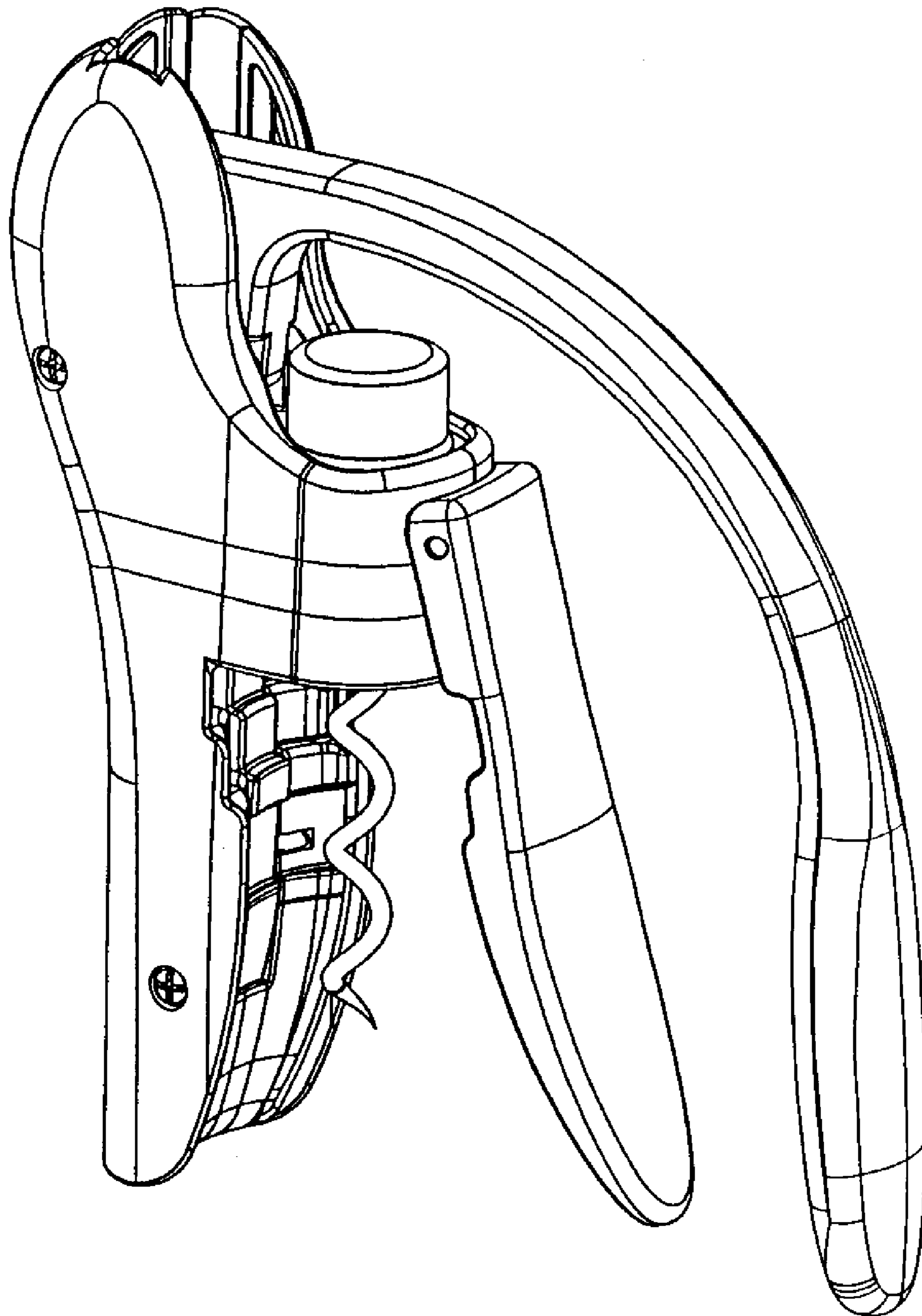


FIG. 7

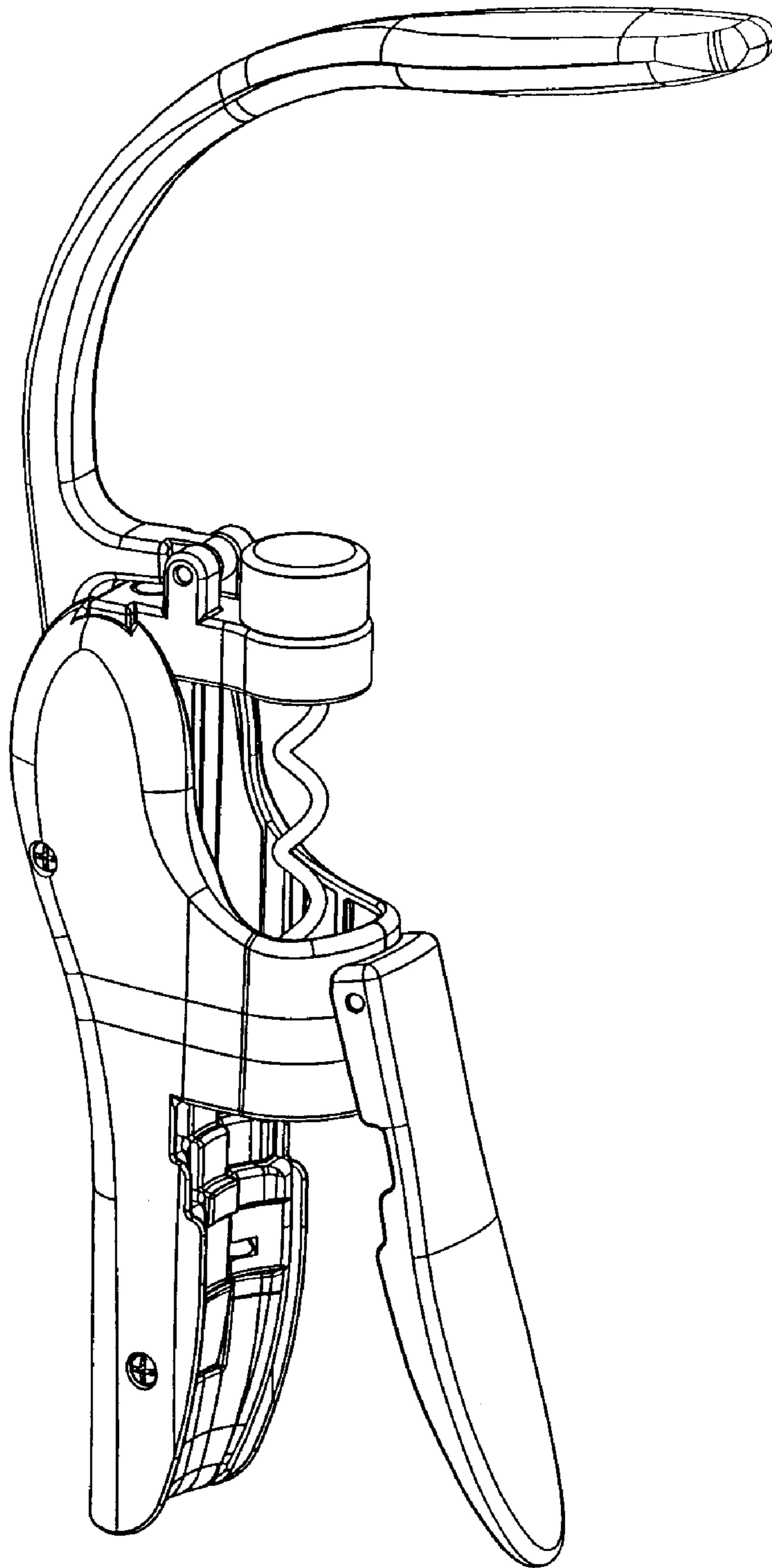


FIG. 8