



US00D521329S

(12) **United States Design Patent**  
**Bodum**

(10) **Patent No.:** **US D521,329 S**

(45) **Date of Patent:** **\*\* May 23, 2006**

(54) **FUNNEL WITH HOLDER**

(75) Inventor: **Jørgen Bodum**, St. Niklausen (CH)

(73) Assignee: **PI-Design AG**, Triengen (CH)

(\*\*) Term: **14 Years**

(21) Appl. No.: **29/226,831**

(22) Filed: **Apr. 1, 2005**

(30) **Foreign Application Priority Data**

Oct. 1, 2004 (DK) ..... DA 2004 00303

(51) **LOC (8) Cl.** ..... **07-99**

(52) **U.S. Cl.** ..... **D7/700; D7/400**

(58) **Field of Classification Search** ..... D7/700,  
D7/397, 400, 401; 99/295, 305, 306; 215/689;  
141/95, 98, 297-300, 331-345

See application file for complete search history.

(56) **References Cited**

**U.S. PATENT DOCUMENTS**

2,811,181 A \* 10/1957 Correll ..... 141/340

D203,854 S \* 2/1966 Douglas ..... D7/400

D250,804 S \* 1/1979 Nilsson ..... D7/400

4,520,716 A \* 6/1985 Hayes ..... 99/306

5,095,185 A \* 3/1992 Fuchs, Jr. .... 219/689

D381,866 S \* 8/1997 St-Gelais ..... D7/400

\* cited by examiner

*Primary Examiner*—Terry A. Wallace

(74) *Attorney, Agent, or Firm*—Cowan, Liebowitz & Latman, P.C.

(57) **CLAIM**

The ornamental design for a funnel with holder, as shown and described.

**DESCRIPTION**

FIG. 1 is a perspective view of the funnel with holder showing my design thereof;

FIG. 2 is a front view thereof;

FIG. 3 is a rear view thereof;

FIG. 4 is a right side view thereof;

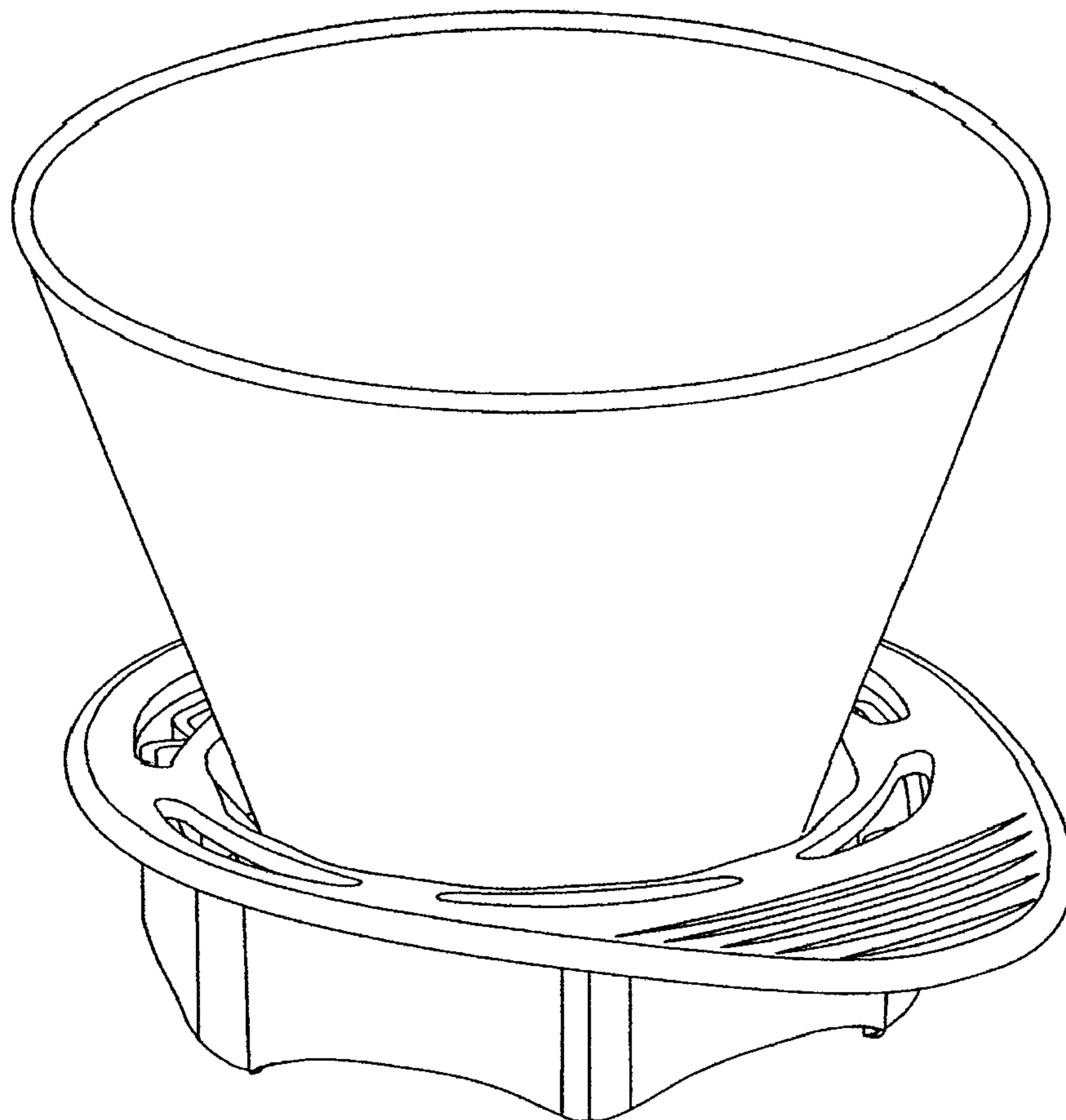
FIG. 5 is a left side view thereof;

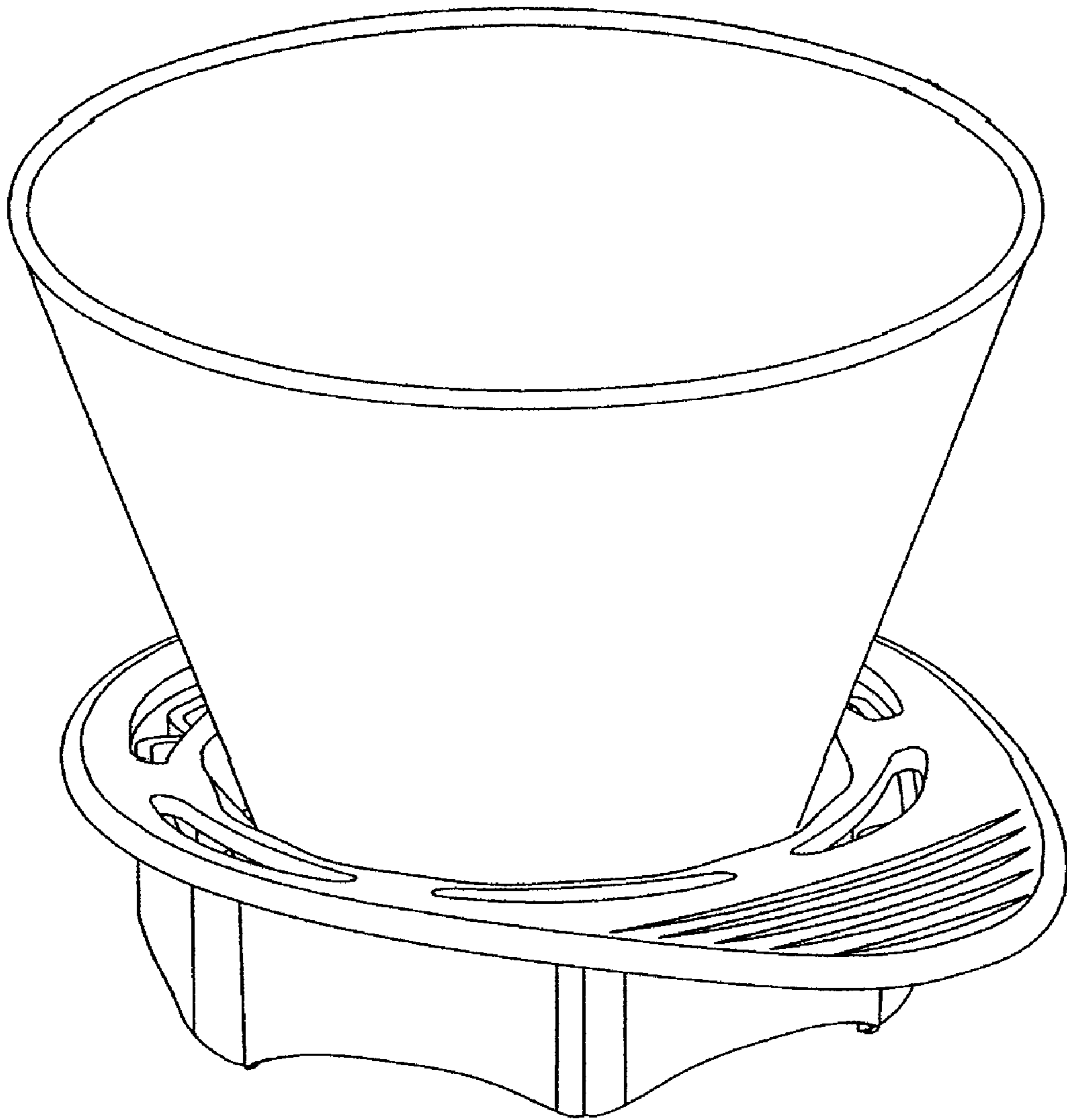
FIG. 6 is a top view thereof;

FIG. 7 is a bottom view thereof; and,

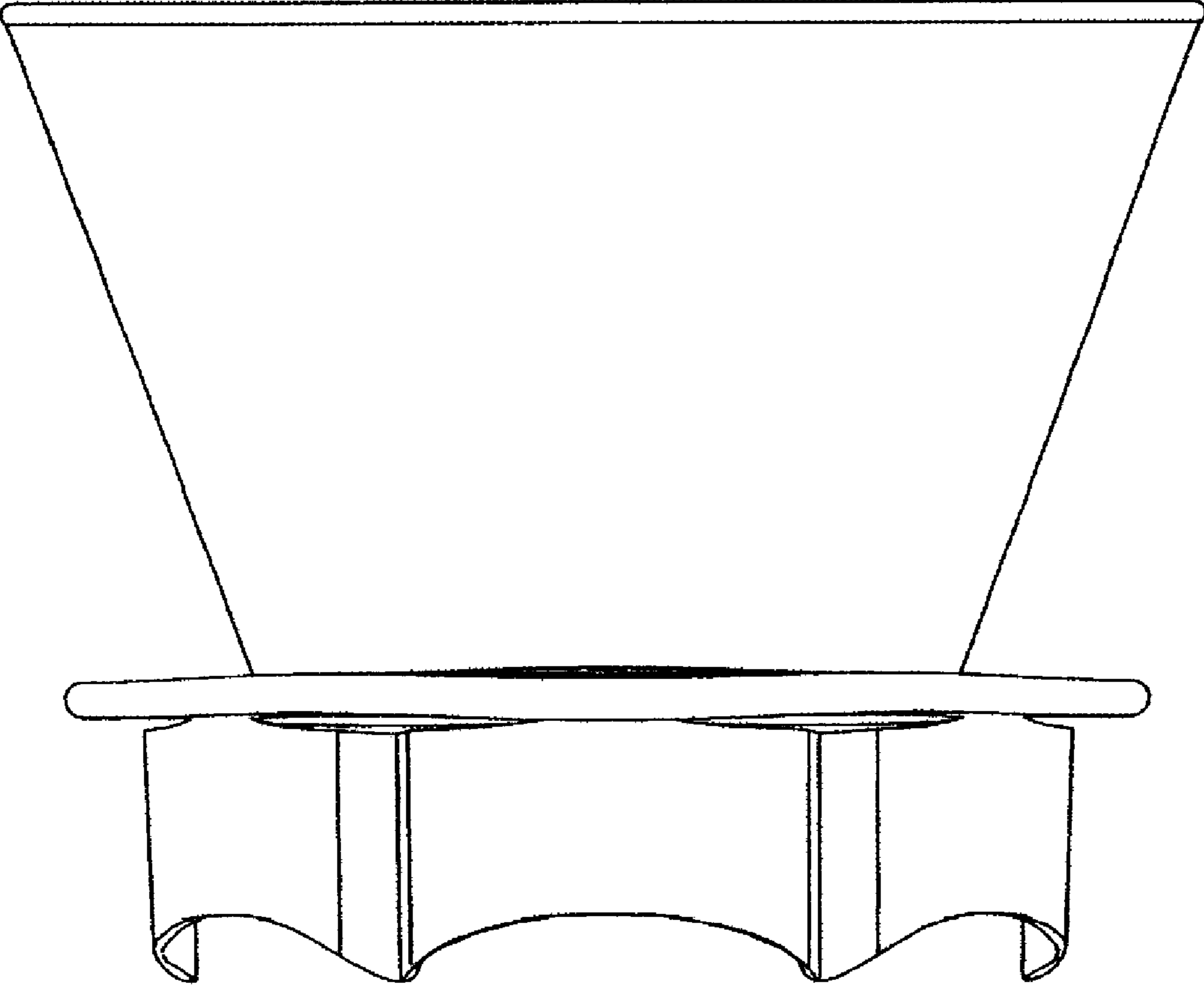
FIG. 8 is a left side sectional view thereof.

**1 Claim, 8 Drawing Sheets**

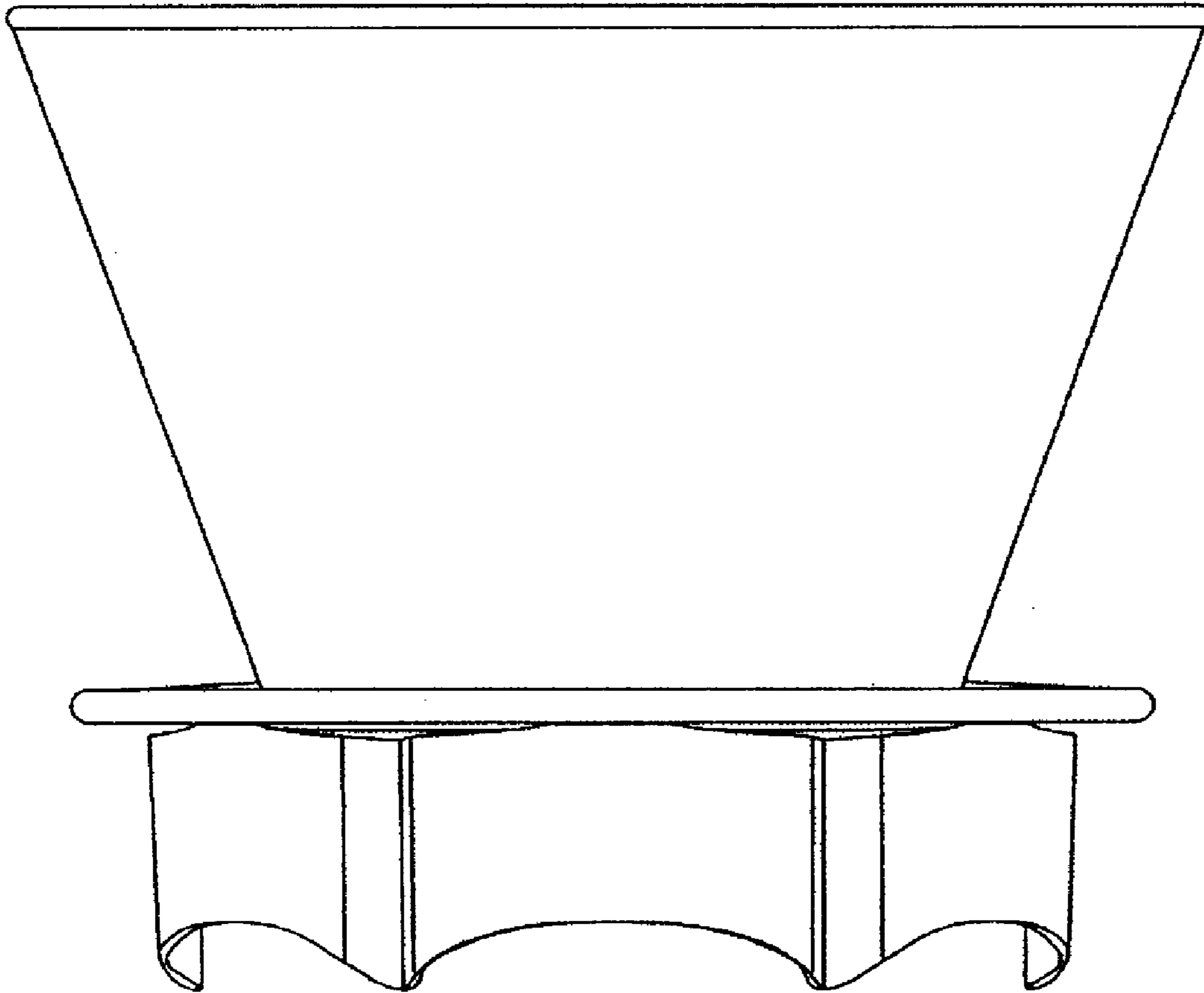




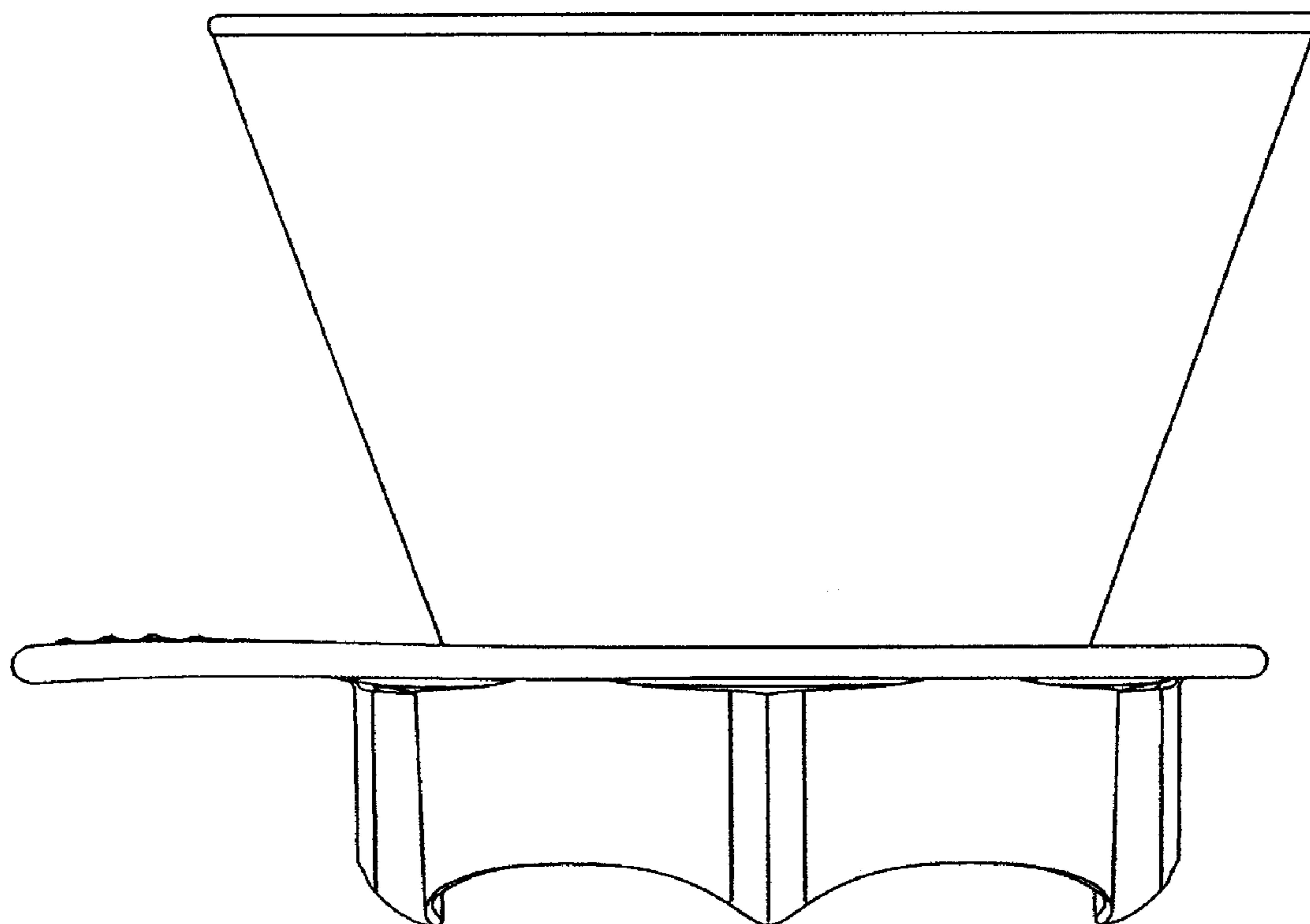
**FIG. 1**



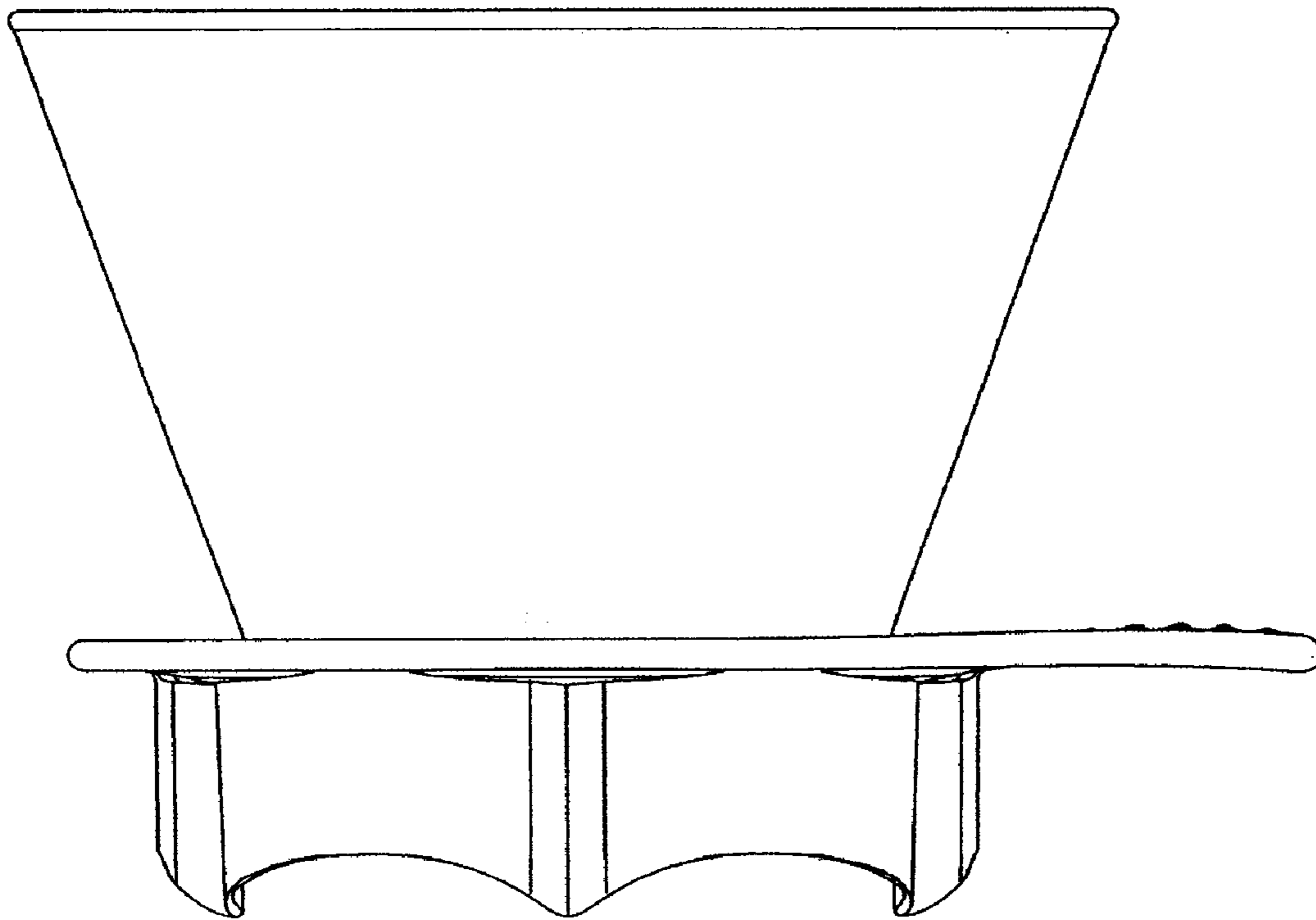
**FIG. 2**



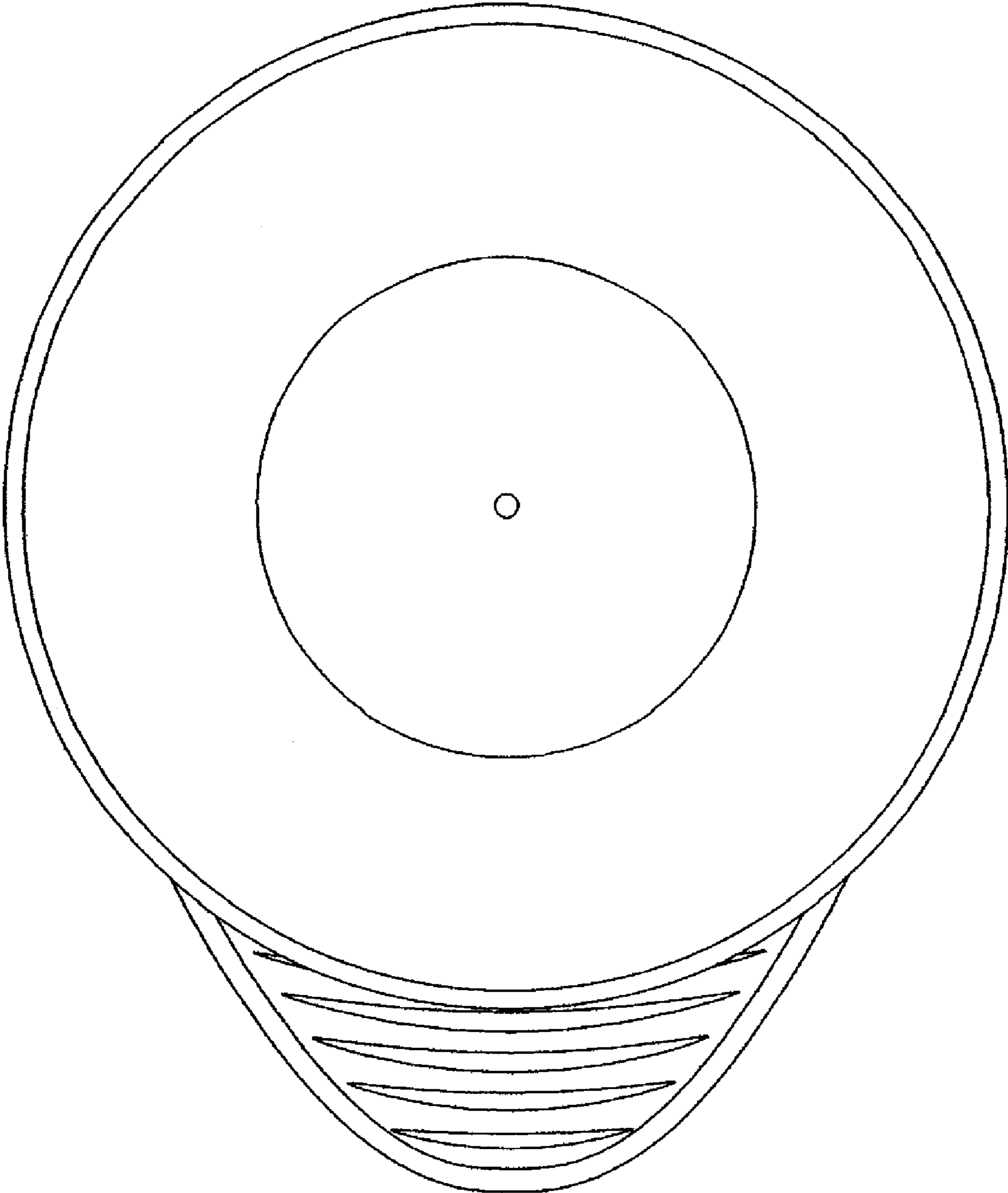
**FIG. 3**



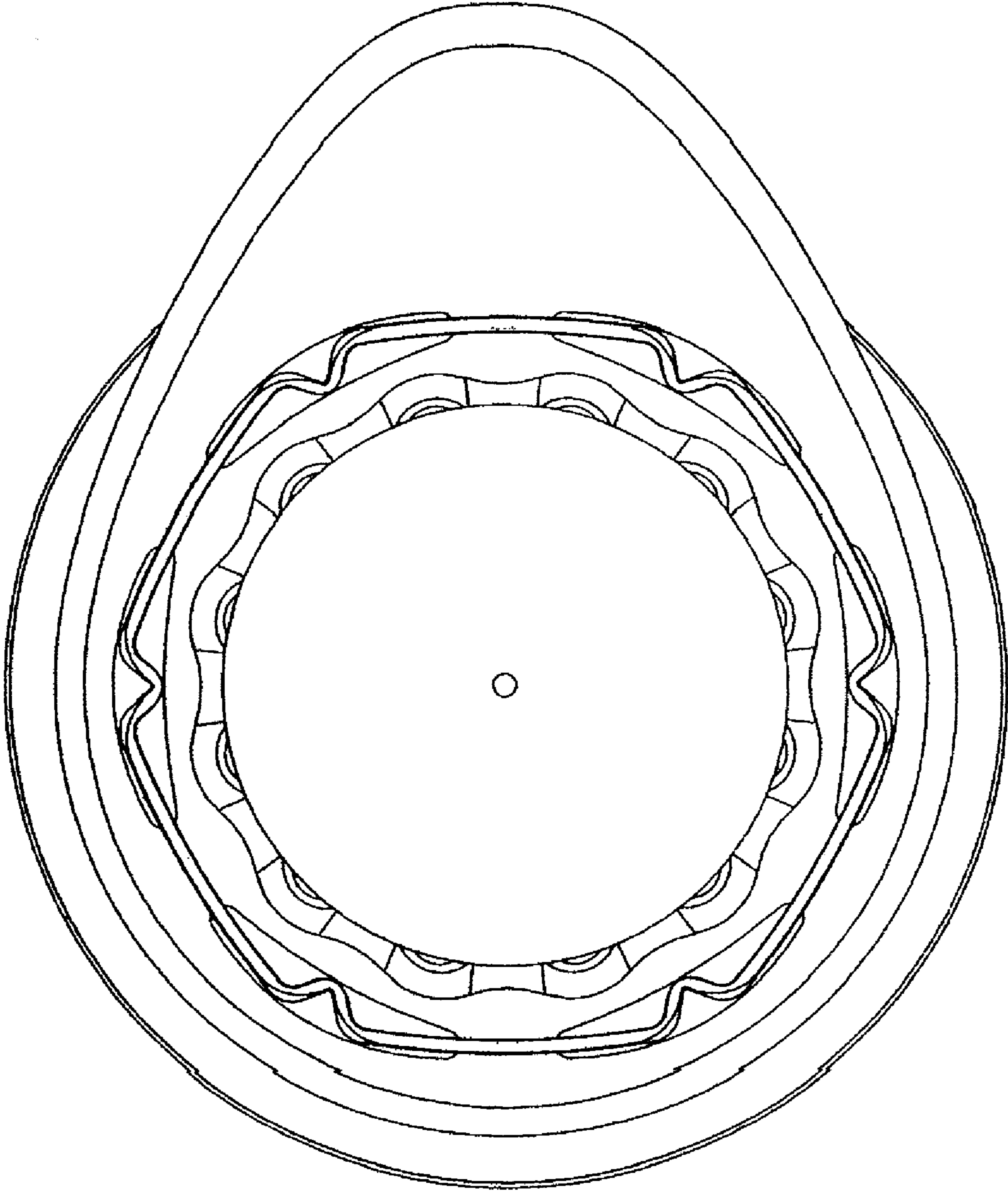
**FIG. 4**



**FIG. 5**



**FIG. 6**



**FIG. 7**



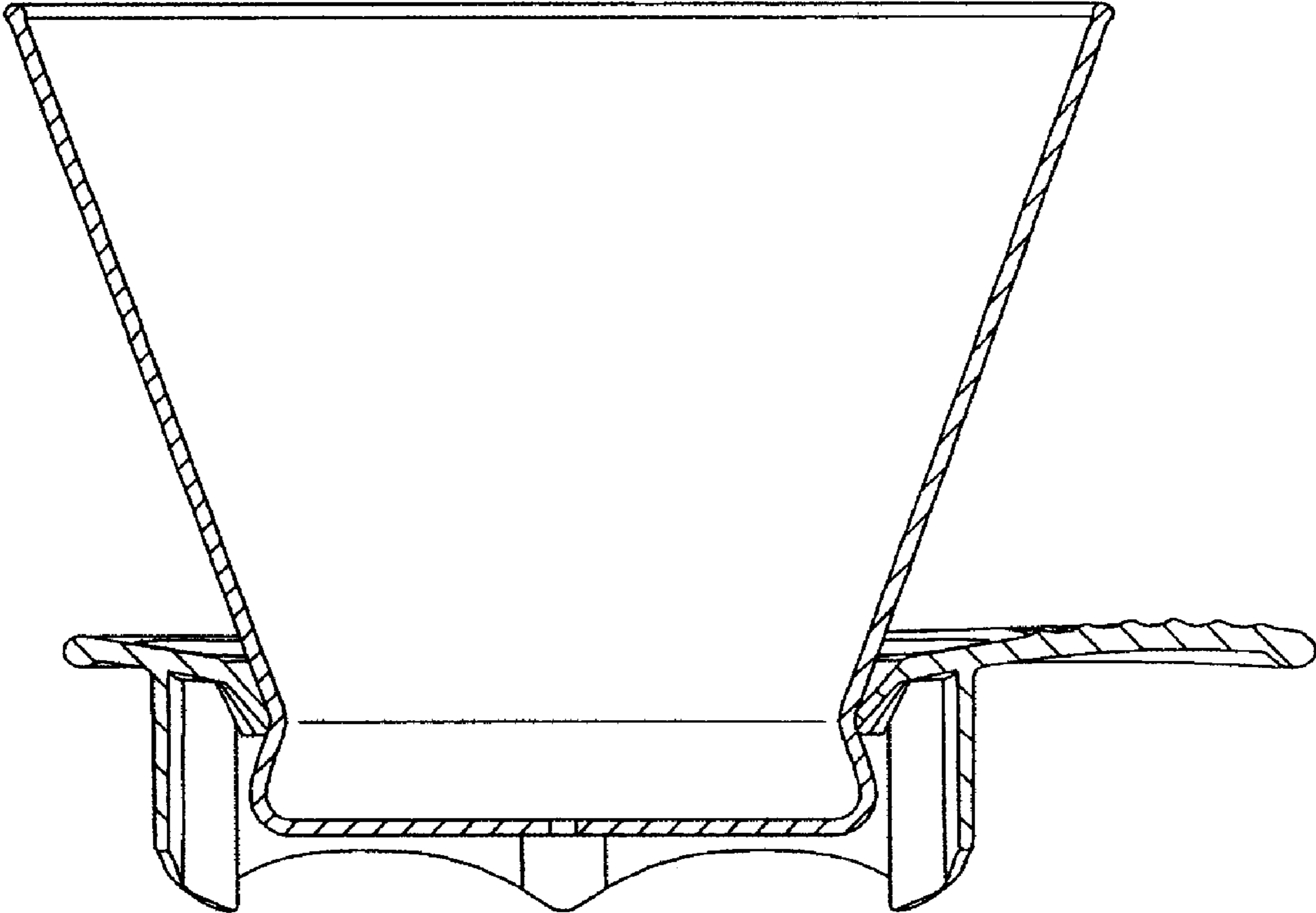


FIG. 8