



US00D521328S

(12) **United States Design Patent**
Morgan

(10) **Patent No.:** **US D521,328 S**

(45) **Date of Patent:** **** May 23, 2006**

(54) **CYLINDRICAL DESSERT LOG MOLD ASSEMBLY**

(76) Inventor: **Fletcher Morgan**, 4990 Coquina Key Dr., SE., St. Petersburg, FL (US) 33705

(**) Term: **14 Years**

(21) Appl. No.: **29/225,293**

(22) Filed: **Mar. 15, 2005**

(51) **LOC (8) Cl.** **07-04**

(52) **U.S. Cl.** **D7/672**

(58) **Field of Classification Search** D7/672-675, D7/356, 354, 359; 99/324, 456, 425-442; 249/115, 117, 122, 127, 155, 156, 160-167
See application file for complete search history.

(56) **References Cited**

U.S. PATENT DOCUMENTS

1,560,206	A	*	11/1925	Cassell	249/163
1,913,178	A	*	6/1933	Walker	249/166
1,956,898	A	*	5/1934	Gere	249/166
1,957,865	A	*	5/1934	Ueding, Jr.	249/163
D206,017	S	*	10/1966	Perry	D7/672

* cited by examiner

Primary Examiner—Terry A. Wallace

(74) *Attorney, Agent, or Firm*—John S. Hale; Gipple & Hale

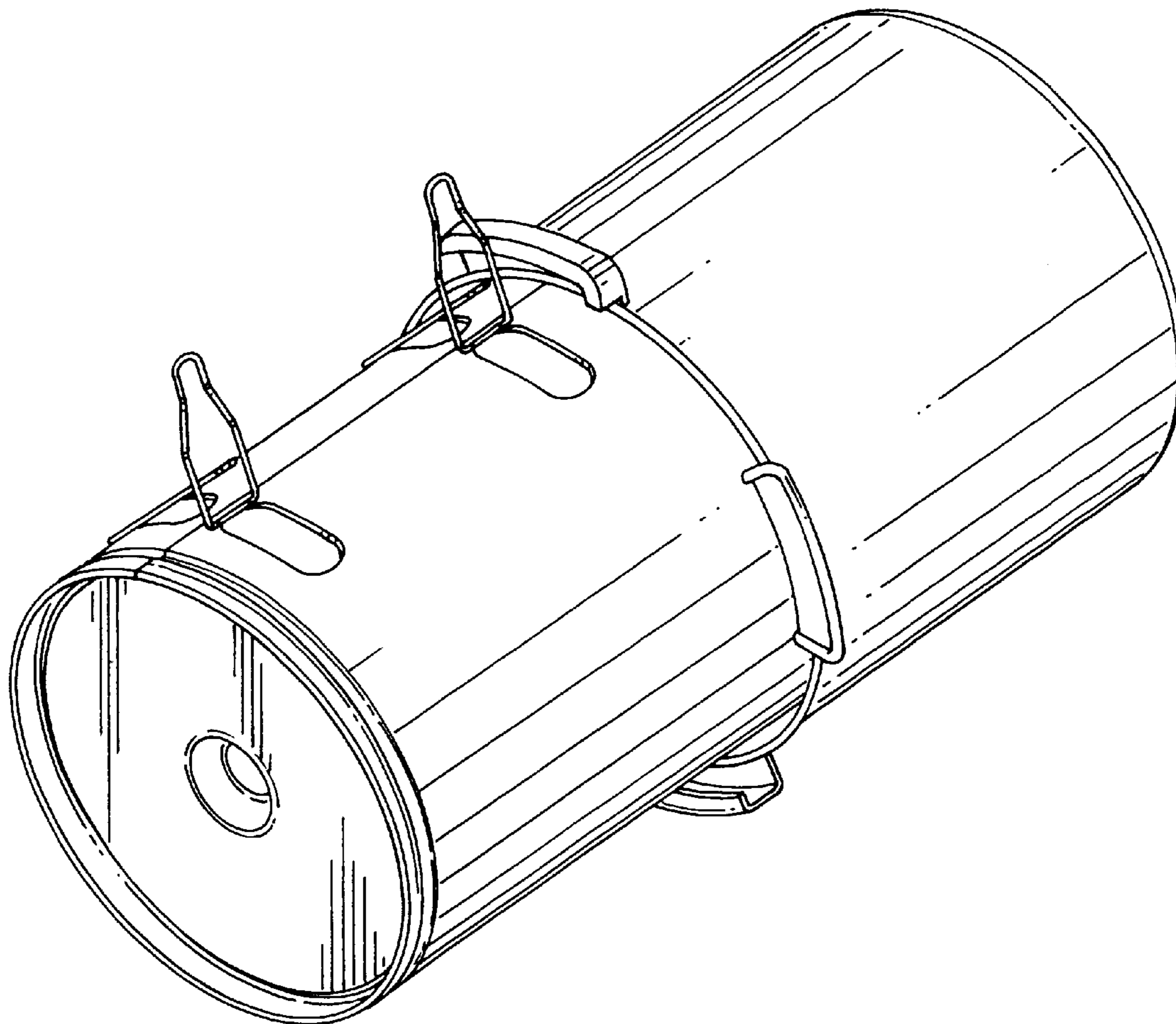
(57) **CLAIM**

The ornamental design for a cylindrical dessert log mold assembly, as shown and described.

DESCRIPTION

FIG. 1 is a perspective view of cylindrical dessert log mold assembly showing my new design;
FIG. 2 is a side elevational view of the cylindrical dessert log mold assembly of FIG. 1;
FIG. 3 is a reversed side elevational view of the other side of the cylindrical dessert log mold assembly of FIG. 1;
FIG. 4 is a top plan view cylindrical dessert log mold assembly of FIG. 2;
FIG. 5 is a bottom plan view thereof;
FIG. 6 is a front elevational view cylindrical dessert log mold assembly of FIG. 2; and,
FIG. 7 is a rear elevational view of the cylindrical dessert log mold assembly.

1 Claim, 6 Drawing Sheets



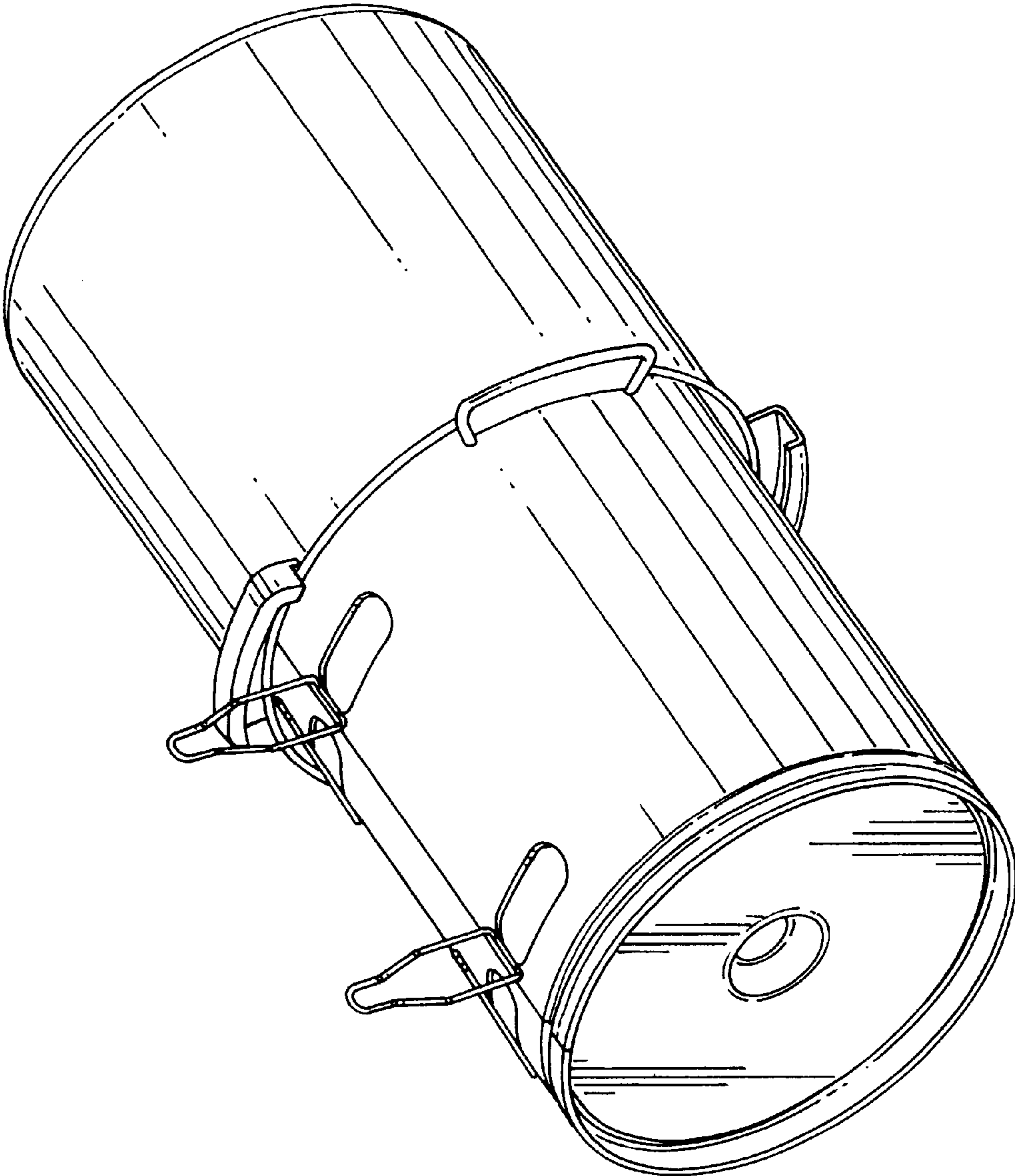


FIG. 1

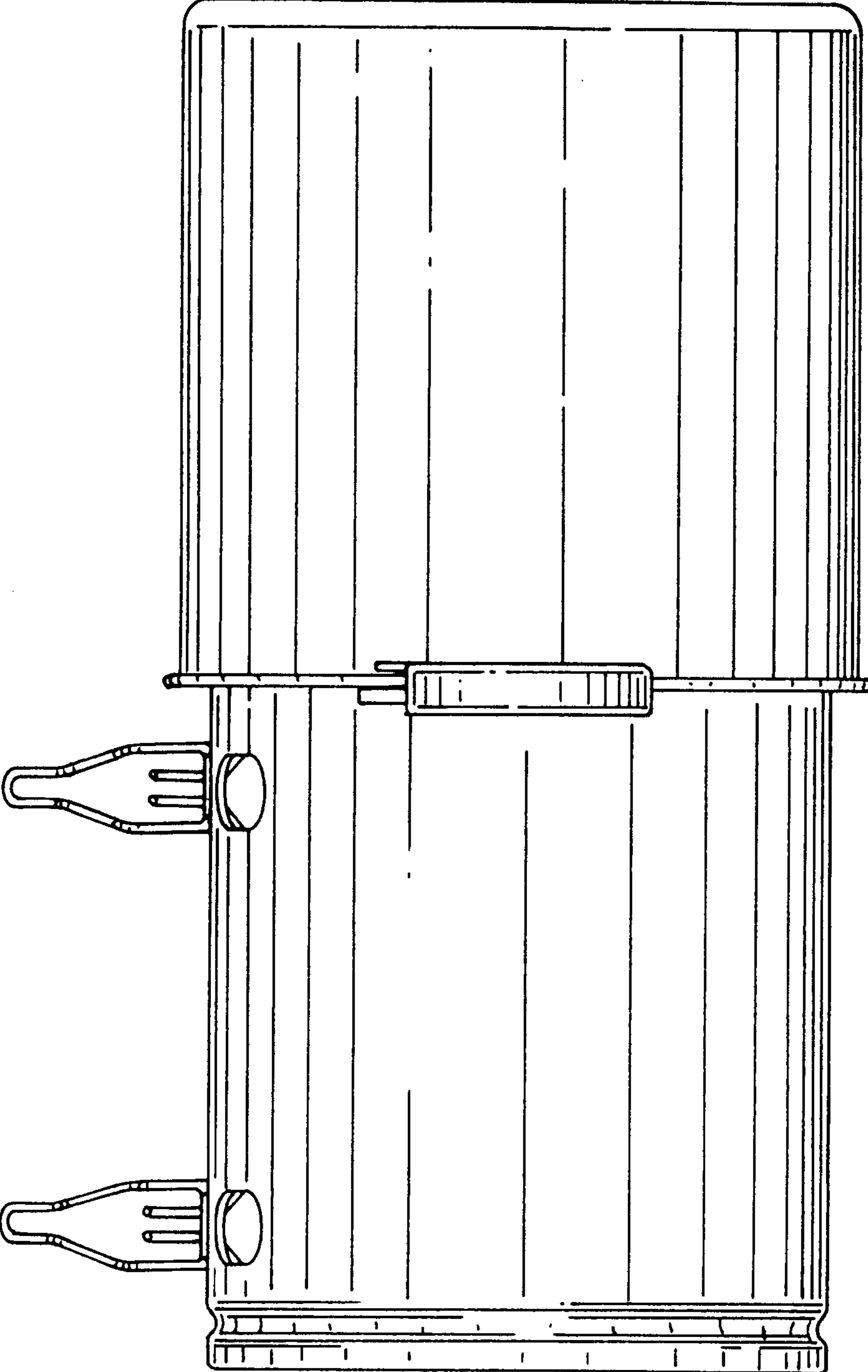


FIG. 2

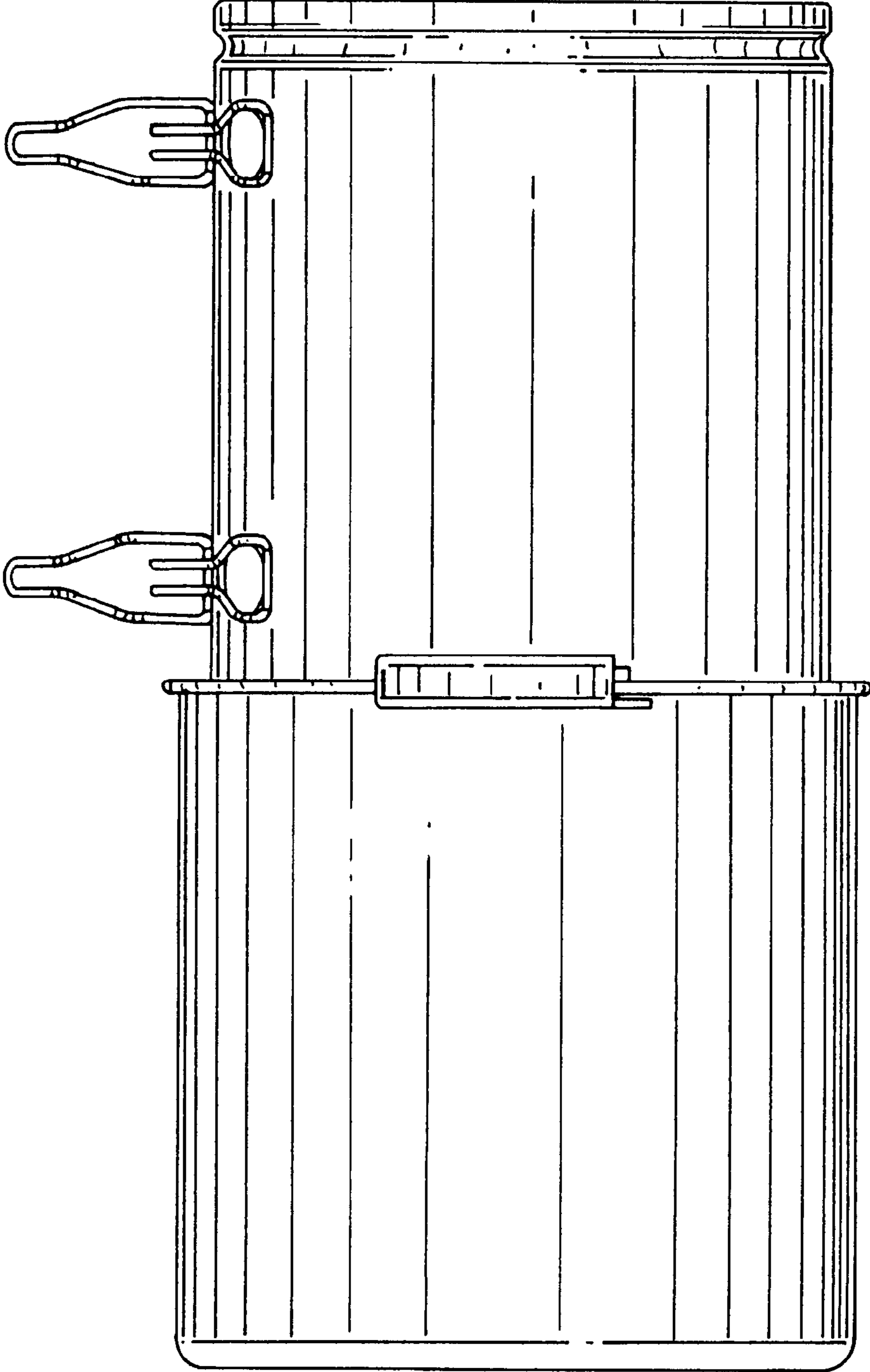


FIG. 3

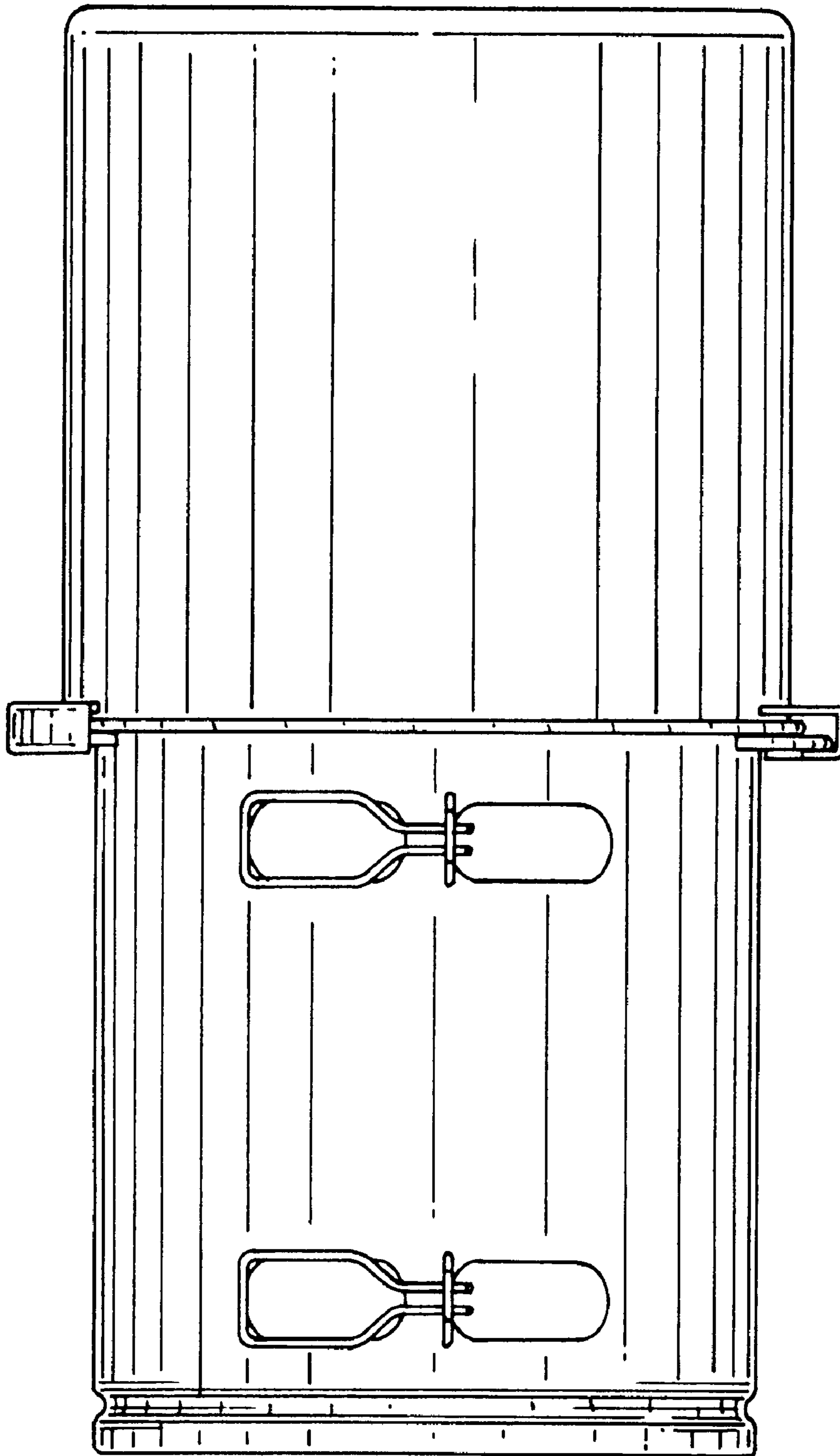


FIG. 4

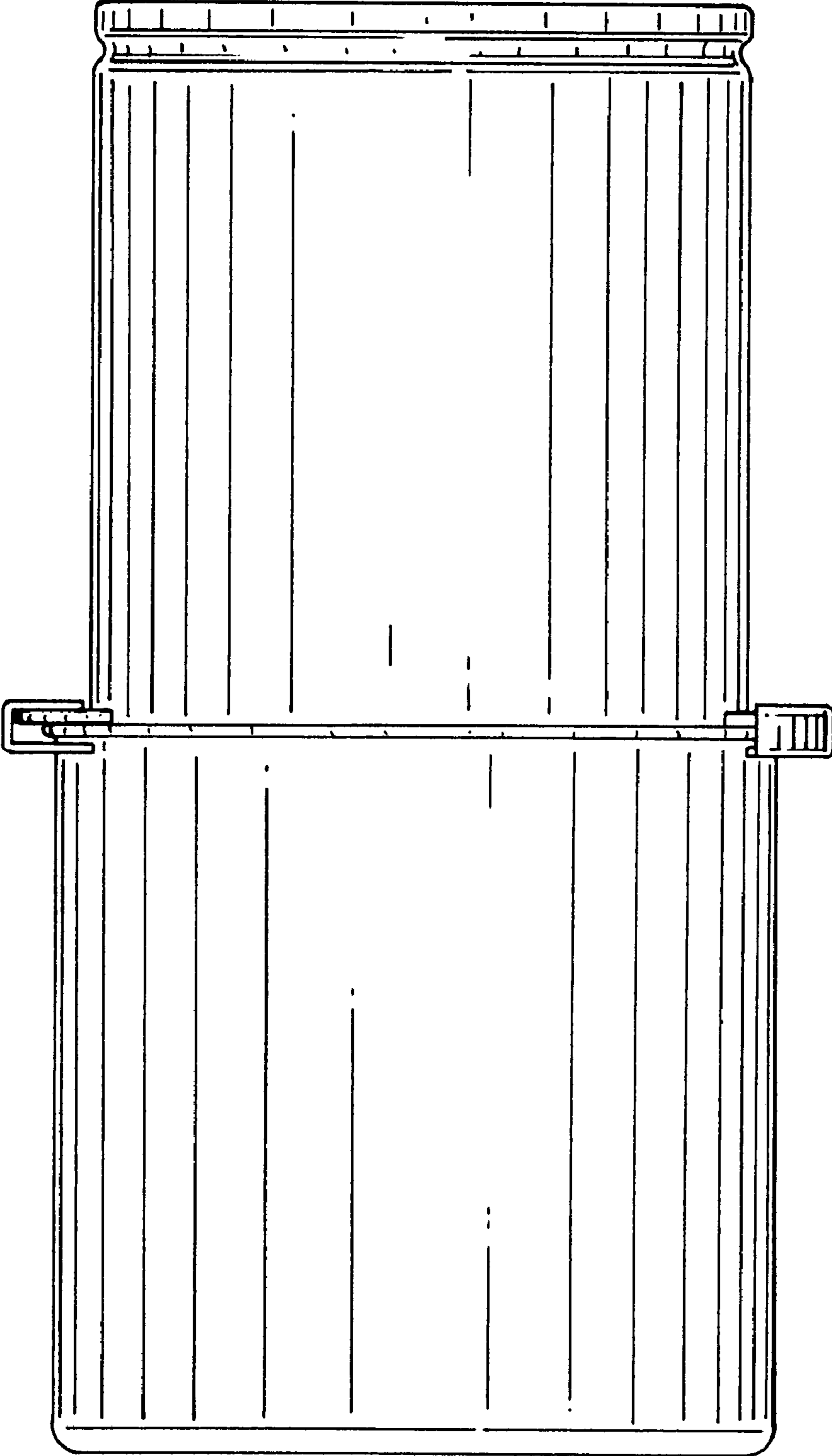


FIG. 5

FIG. 6

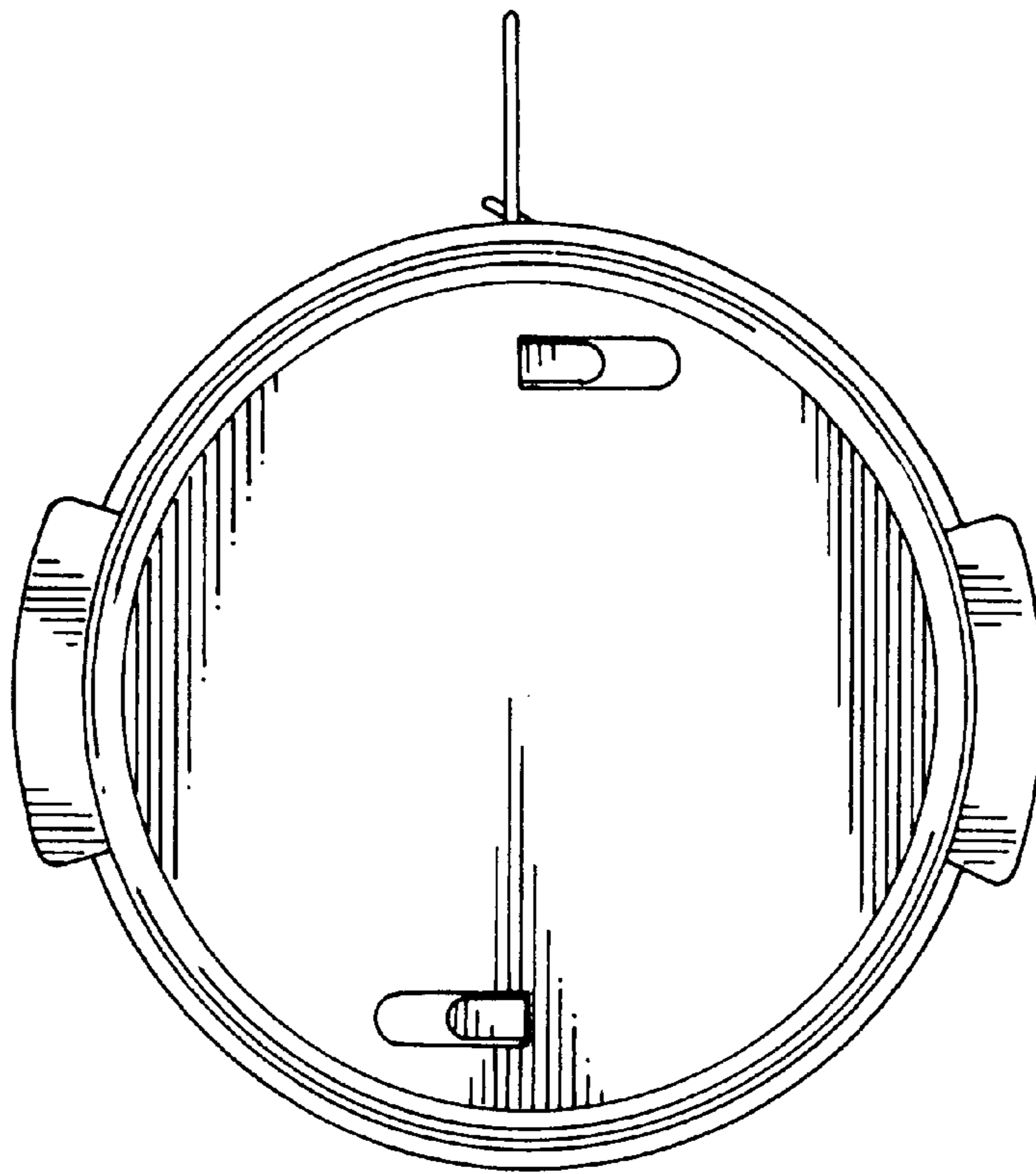


FIG. 7

