



US00D521326S

(12) **United States Design Patent**
Tellez

(10) **Patent No.:** **US D521,326 S**

(45) **Date of Patent:** **** May 23, 2006**

(54) **PASTRY BAG CHOKER DEVICE**

6,460,736 B1 * 10/2002 D'Agostino 222/146.5

(76) Inventor: **Frank Tellez**, 136 Chesapeake Estates
Dr., Stevensville, MD (US) 21666

* cited by examiner

Primary Examiner—Terry A. Wallace

(**) Term: **14 Years**

(57) **CLAIM**

(21) Appl. No.: **29/207,034**

The ornamental design for a pastry bag choker device, as shown and described.

(22) Filed: **Jun. 9, 2004**

DESCRIPTION

(51) **LOC (8) Cl.** **07-04**

FIG. 1 is an exploded top, front, left side perspective view of a pastry bag choker device showing my new design.

(52) **U.S. Cl.** **D7/669**

FIG. 2 is a left side view thereof;

(58) **Field of Classification Search** D7/368,
D7/669; 222/566, 567, 568, 569, 92, 105–107;
425/190, 191, 461; 401/261, 262, 265
See application file for complete search history.

FIG. 3 is a top plan view thereof;

FIG. 4 is a left side view thereof, the right side view being a mirror image;

FIG. 5 is a bottom plan view thereof;

FIG. 6 is a perspective view thereof; and,

FIG. 7 is a perspective view there when mounted on a pastry bag.

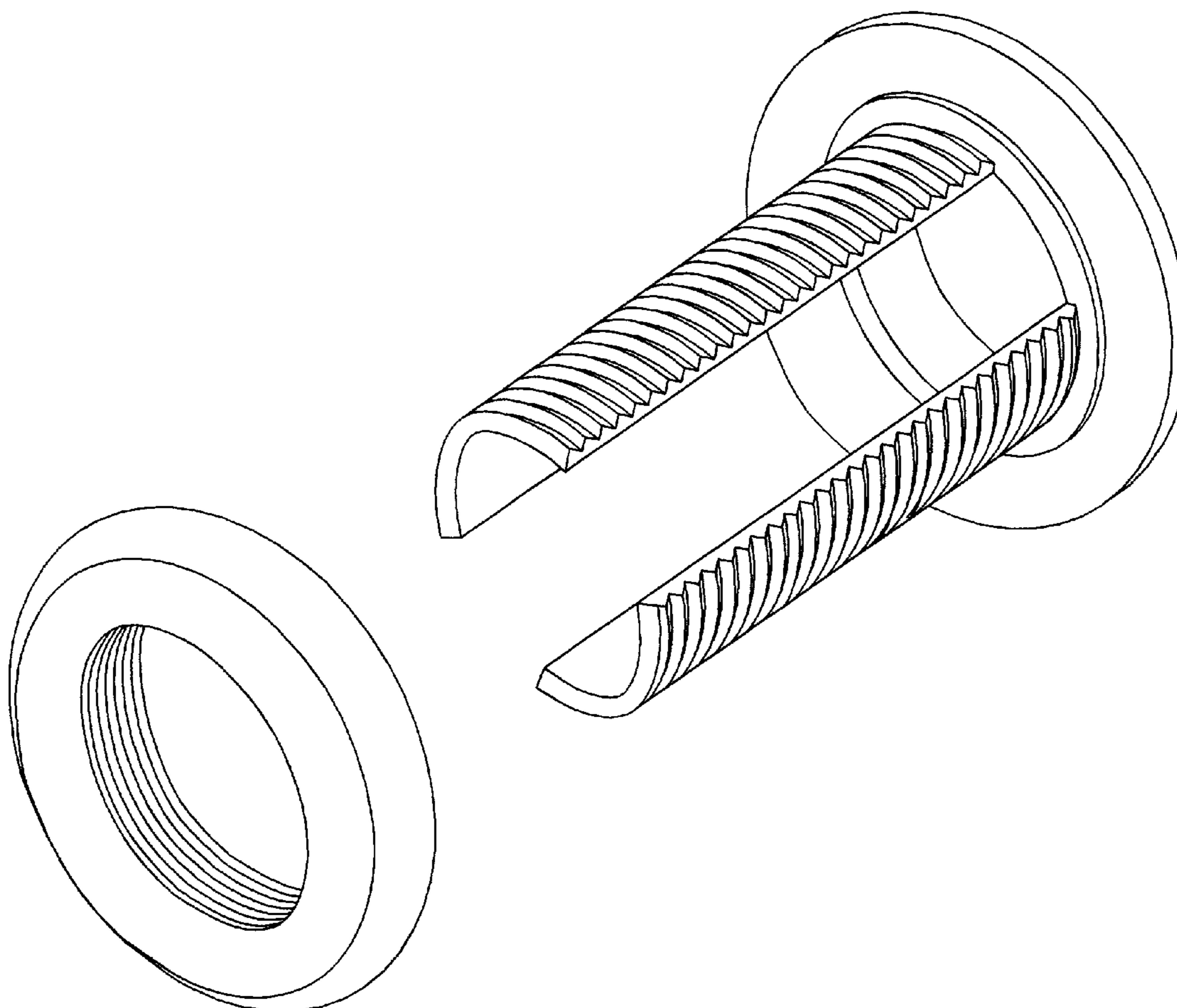
(56) **References Cited**

U.S. PATENT DOCUMENTS

3,847,523 A * 11/1974 Parrish et al. 425/191
6,065,651 A * 5/2000 Tedeschi et al. 222/519
6,153,238 A * 11/2000 Shannon 222/107

The pastry bag shown in FIG. 7 is shown in broken lines for illustrative purposes only and forms no part of the claimed design.

1 Claim, 7 Drawing Sheets



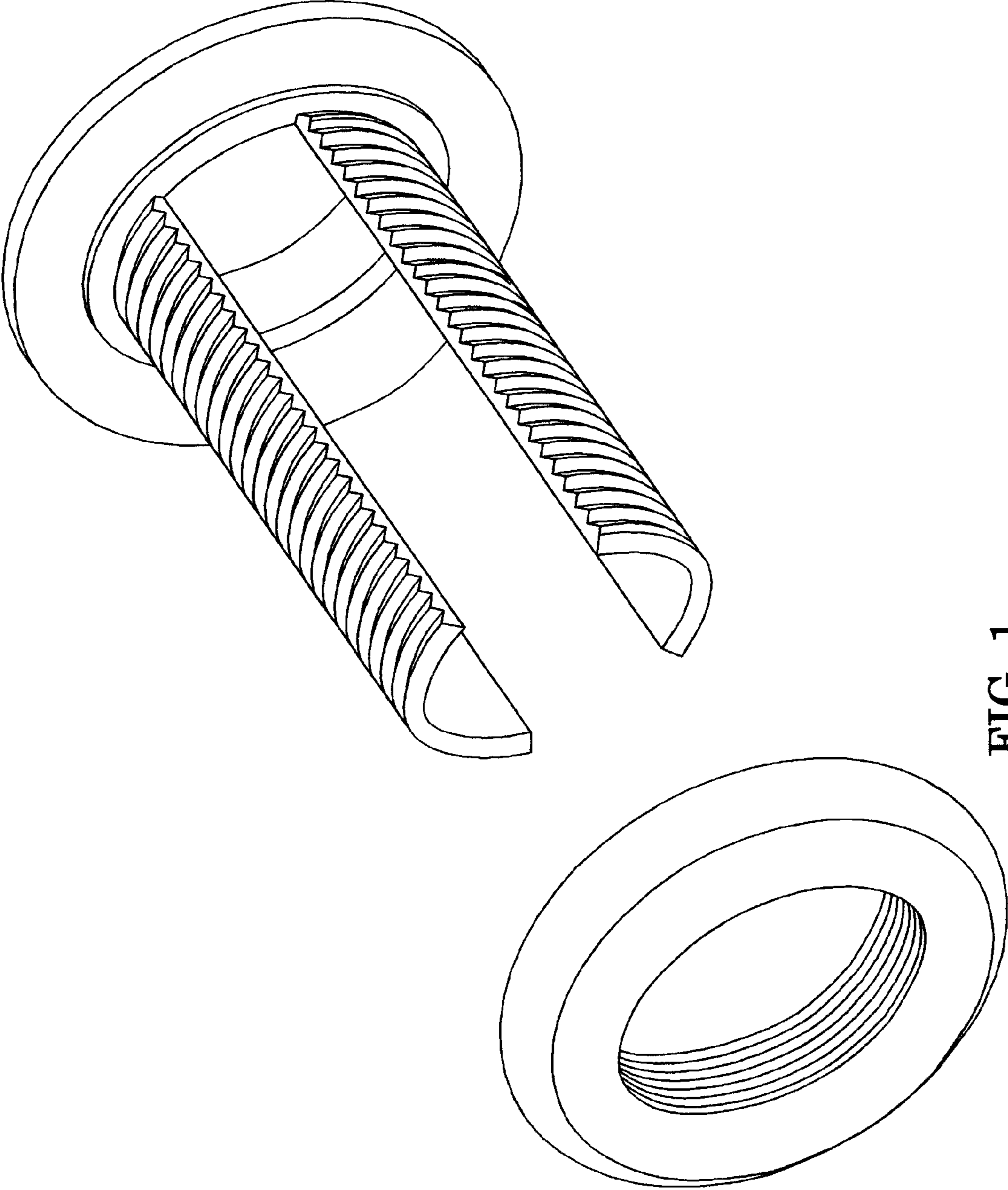


FIG. 1

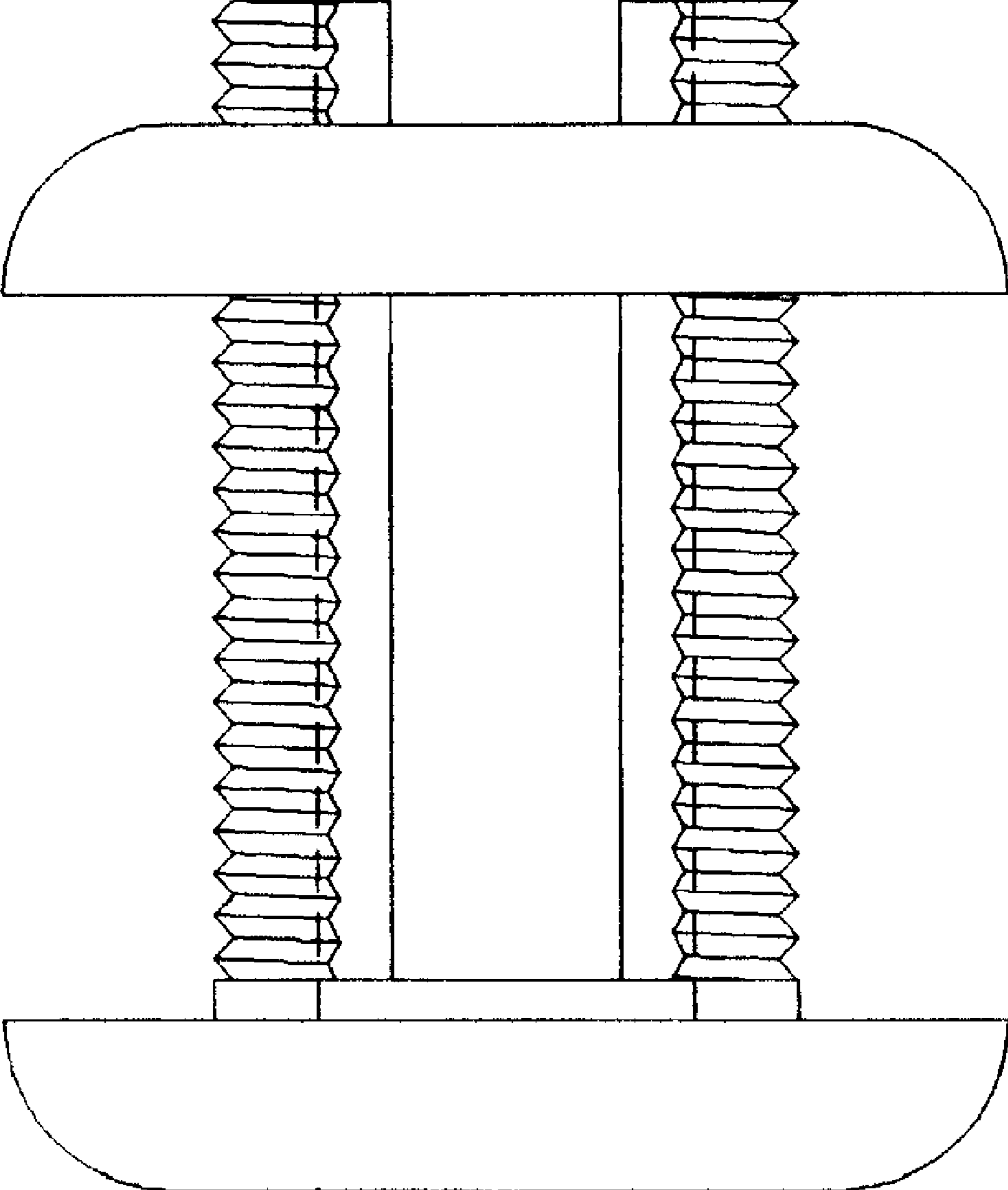


FIG. 2

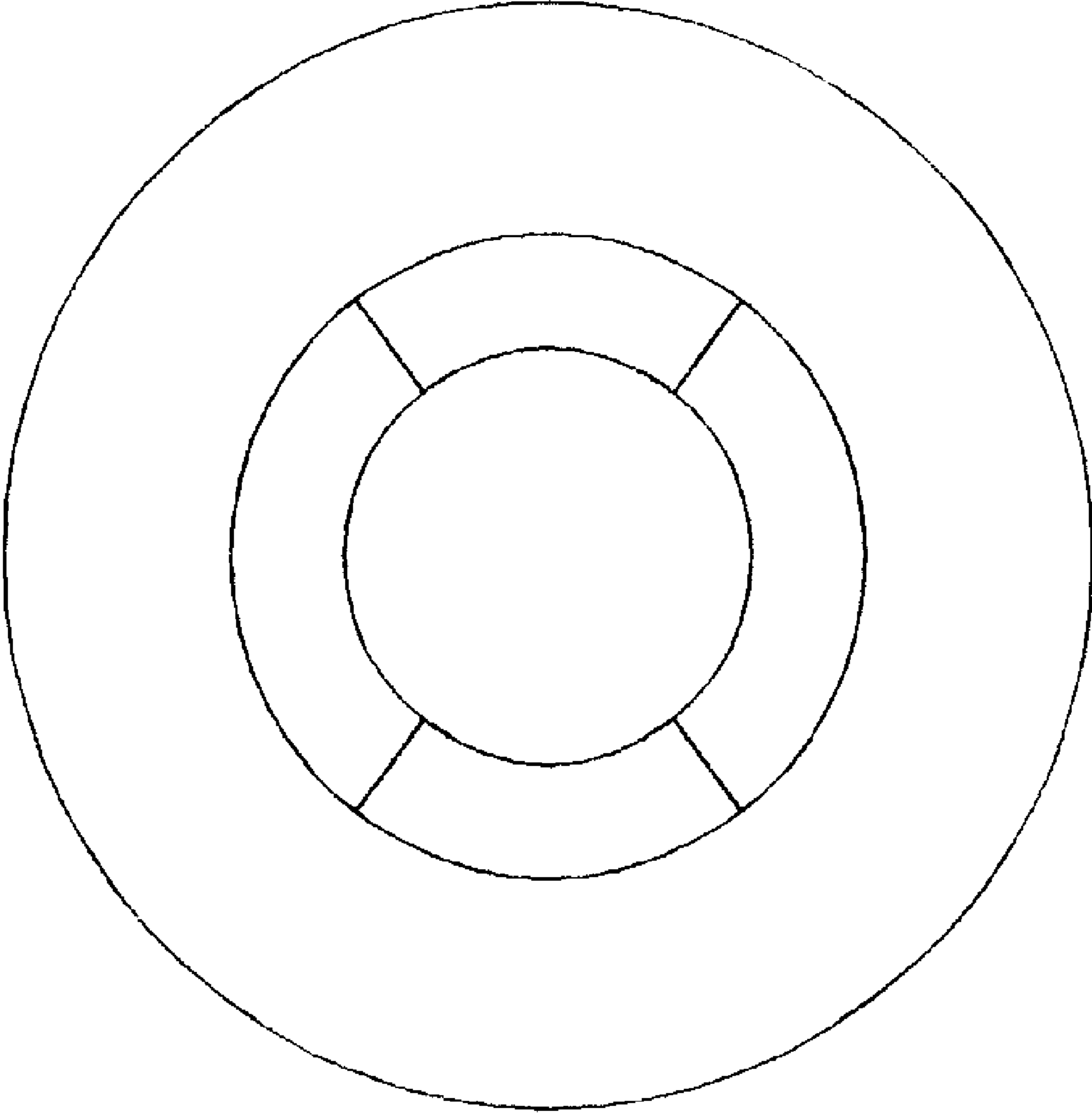


FIG. 3

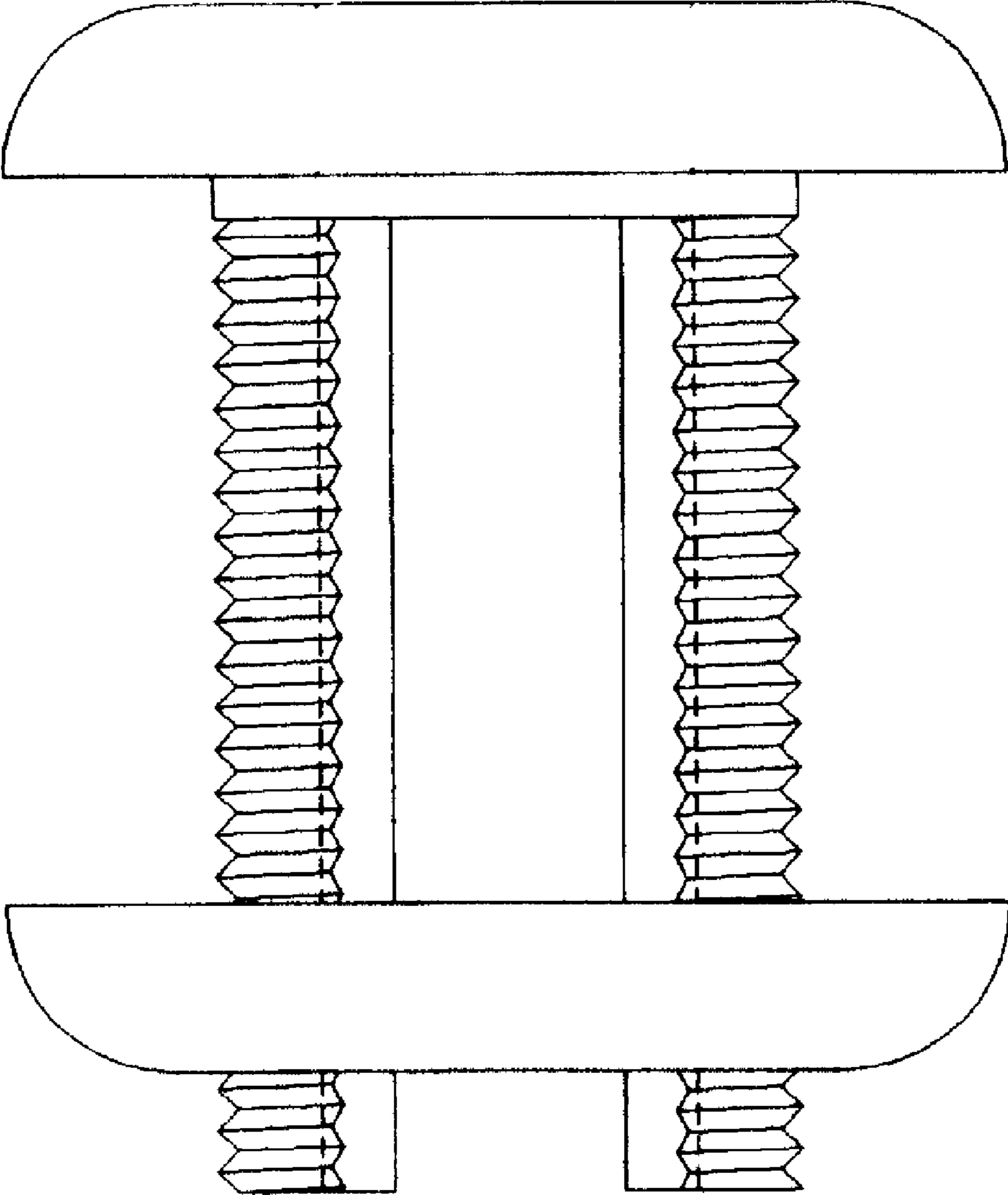


FIG. 4

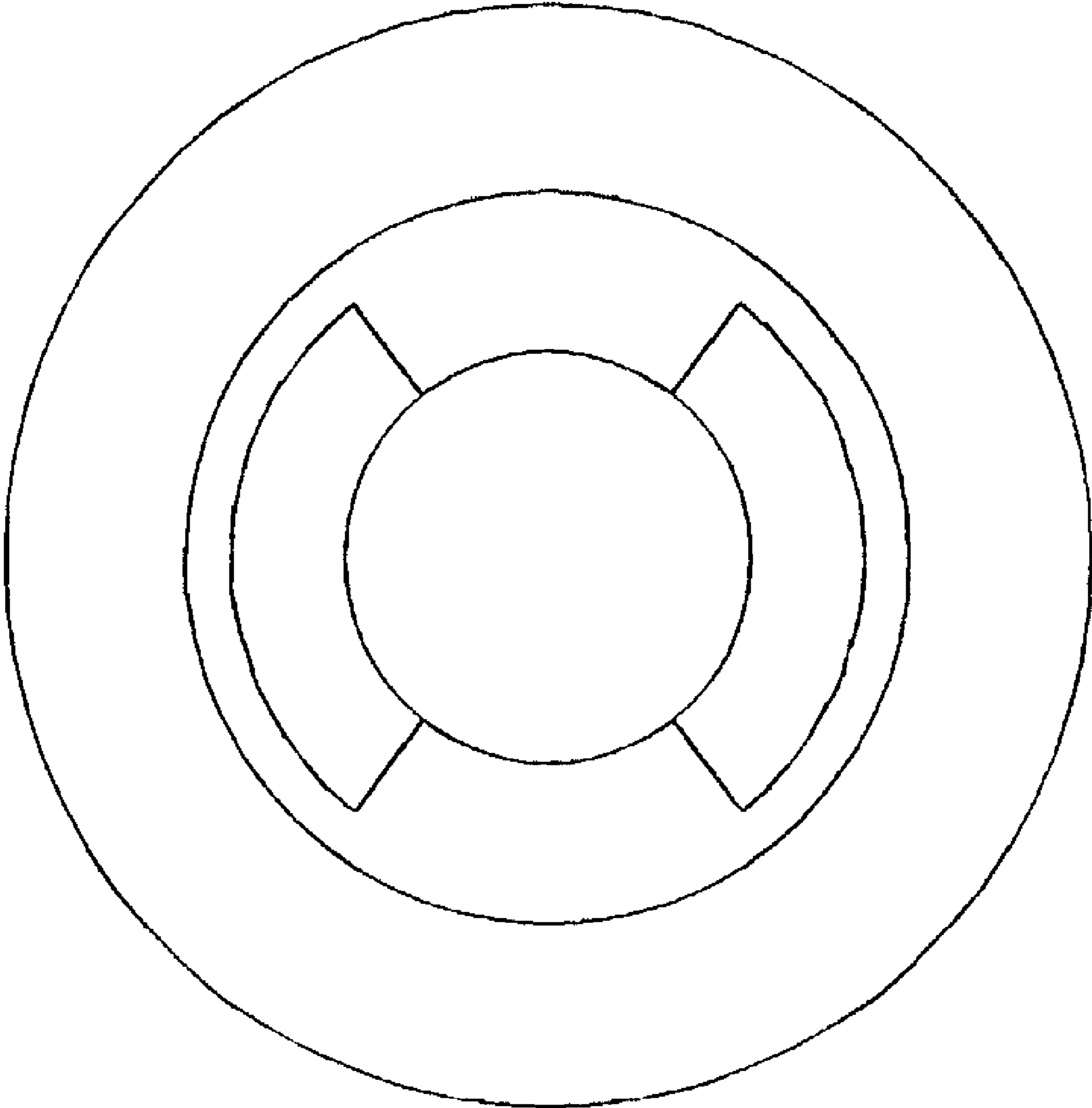


FIG. 5

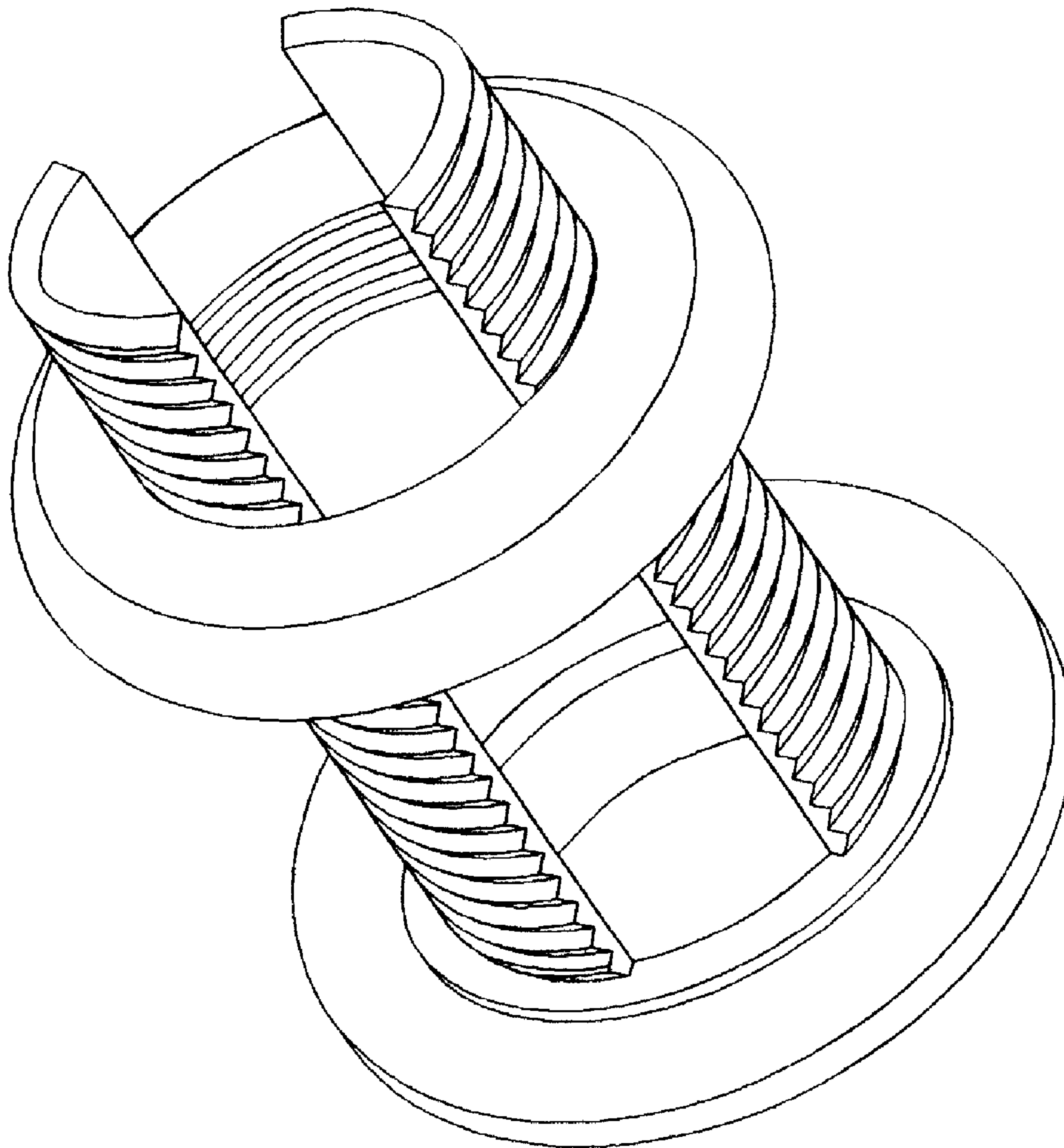


FIG. 6

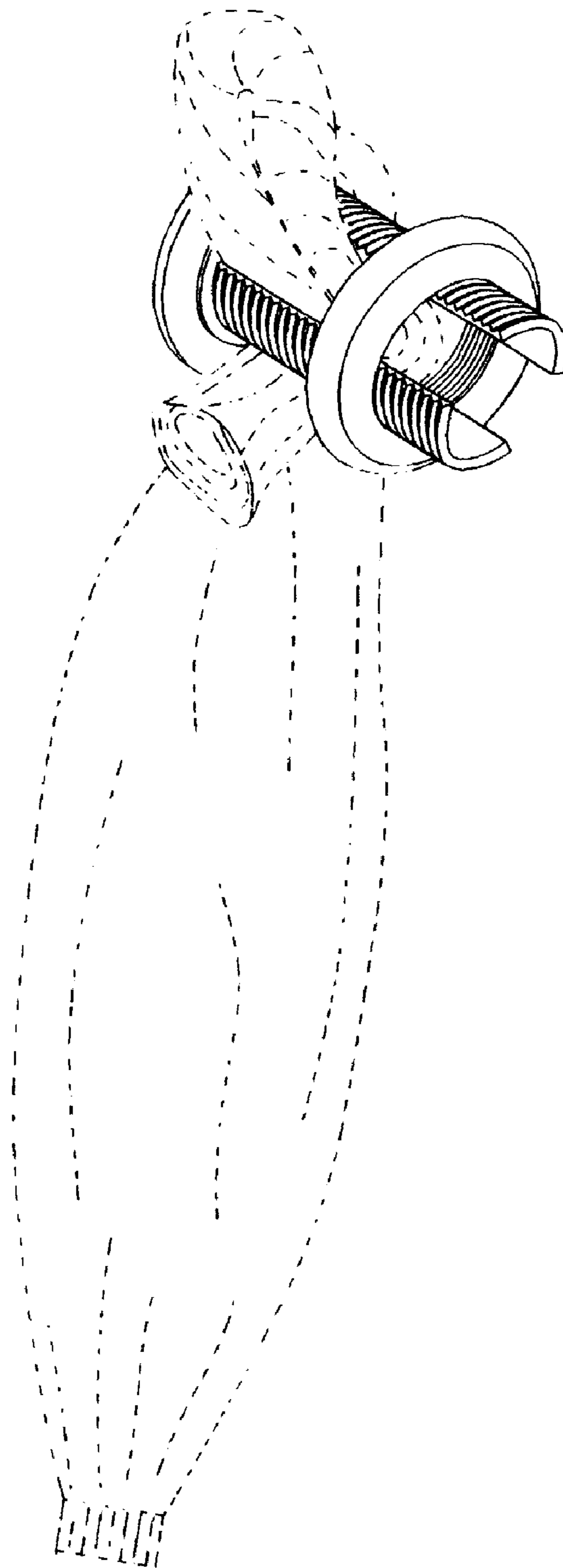


FIG. 7