

US00D521319S

(12) **United States Design Patent**
Haataja

(10) **Patent No.:** **US D521,319 S**

(45) **Date of Patent:** **** May 23, 2006**

(54) **BOWL**
(75) Inventor: **Liisa Haataja**, Easton, PA (US)

D474,940 S * 5/2003 Wellner D7/587
D493,672 S * 8/2004 Jalet et al. D7/586
D508,822 S * 8/2005 Smith et al. D7/545

(73) Assignee: **WKI Holding Company, Inc.**,
Rosemont, IL (US)

OTHER PUBLICATIONS

Costa, Janice Anne, "International Trends Design Excellence," Kitchen & Bath Design News, Jan. 2005, p. 76, USA.

(**) Term: **14 Years**

Images of Wawa® brand storage container, obtained by Applicant Sep. 2004.

(21) Appl. No.: **29/221,982**

* cited by examiner

(22) Filed: **Jan. 25, 2005**

(51) **LOC (8) Cl.** **07-01**

Primary Examiner—Charles A. Rademaker

(52) **U.S. Cl.** **D7/543**

(74) *Attorney, Agent, or Firm*—Wallenstein Wagner & Rockey, Ltd.

(58) **Field of Classification Search** D7/552.1,
D7/553.2–553.3, 543–548, 554.1–554.3,
D7/570, 584, 586, 505, 588; D9/430, 431;
229/122.82, 125.01, 178, 110; 220/658, 659,
220/622, 23.4, 102

(57) **CLAIM**

See application file for complete search history.

The ornamental design for a bowl, as shown and described.

DESCRIPTION

(56) **References Cited**

FIG. 1 is a top perspective view of a bowl showing my new design;

U.S. PATENT DOCUMENTS

FIG. 2 is a top plan view thereof;

- 196,005 A * 10/1877 Gardner D7/584
- D184,875 S * 4/1959 Johnson D7/543
- D197,574 S * 2/1964 Gulotta D7/545
- D310,765 S * 9/1990 Stutzer et al. D7/586
- D342,642 S * 12/1993 Brazis et al. D7/543
- D415,657 S * 10/1999 Cornelissen D7/566
- D447,008 S * 8/2001 Indekeu D7/566
- D452,417 S * 12/2001 Whitmore et al. D7/543
- D466,762 S * 12/2002 Cote et al. D7/545

FIG. 3 is a front elevation thereof the side opposite being identical;

FIG. 4 is a left side elevation thereof the side opposite being identical;

FIG. 5 is a bottom plan view thereof; and,

FIG. 6 is a cross-section thereof taken along line 6—6 in FIG. 2.

1 Claim, 3 Drawing Sheets

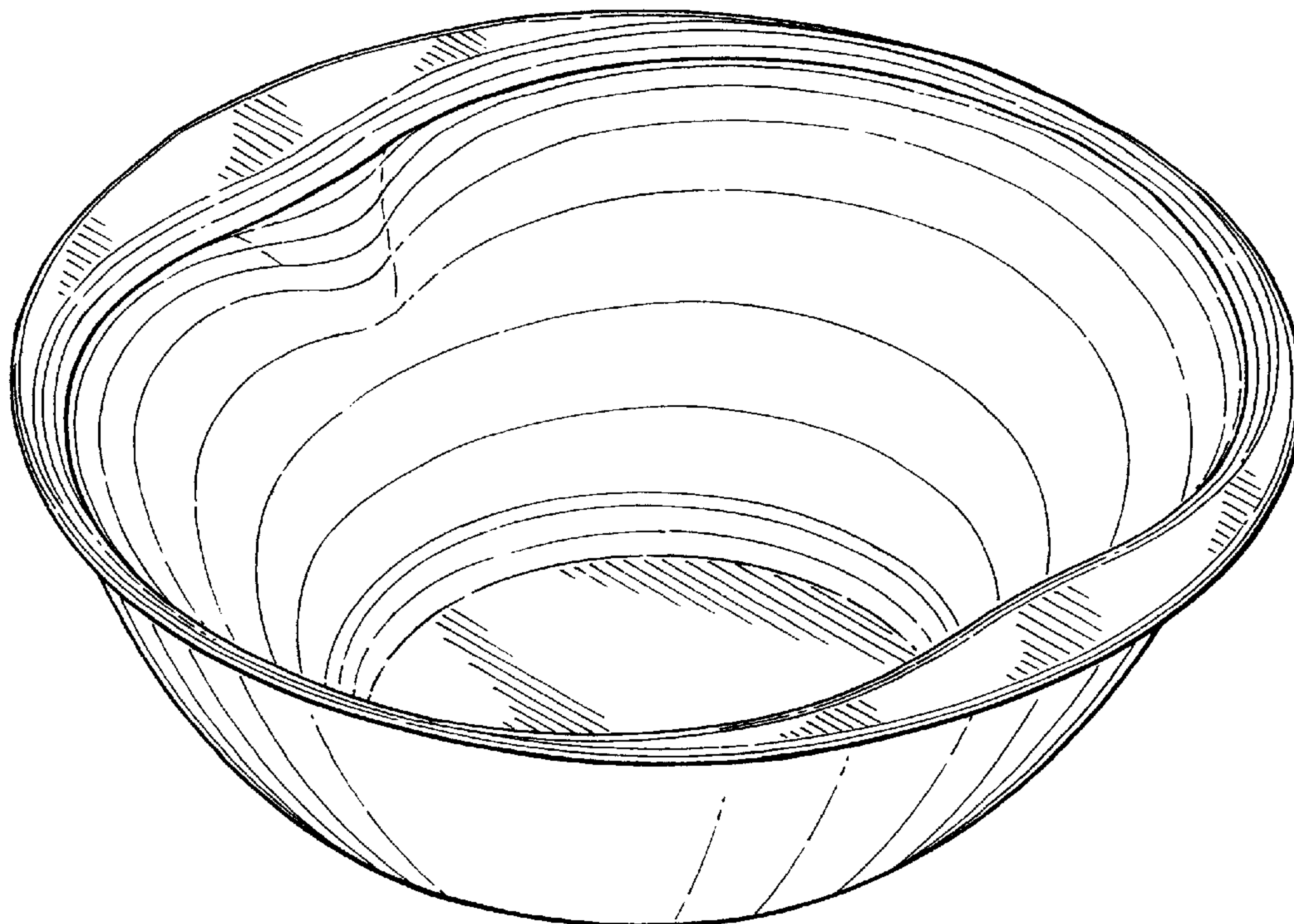


FIG. 1

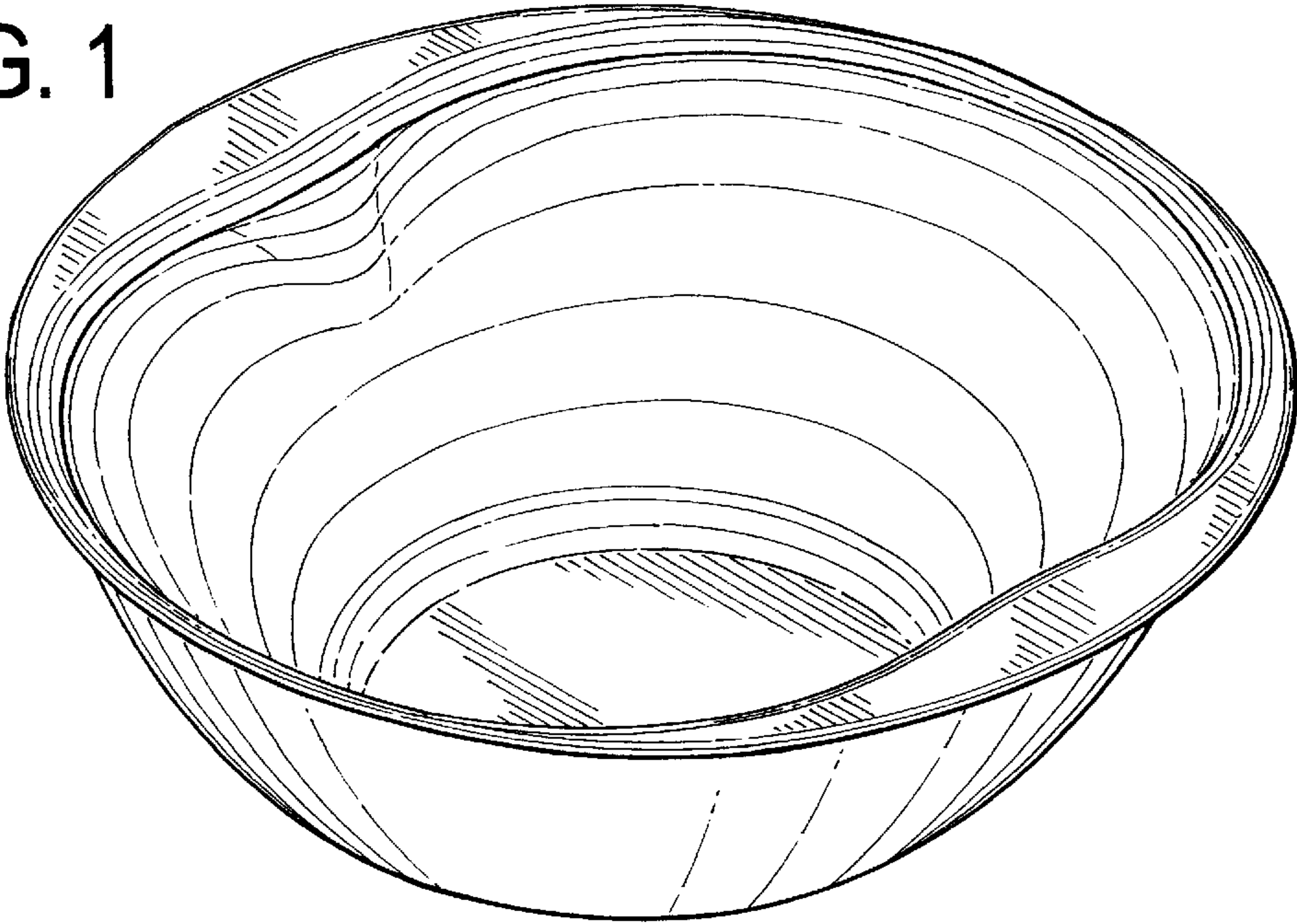


FIG. 2

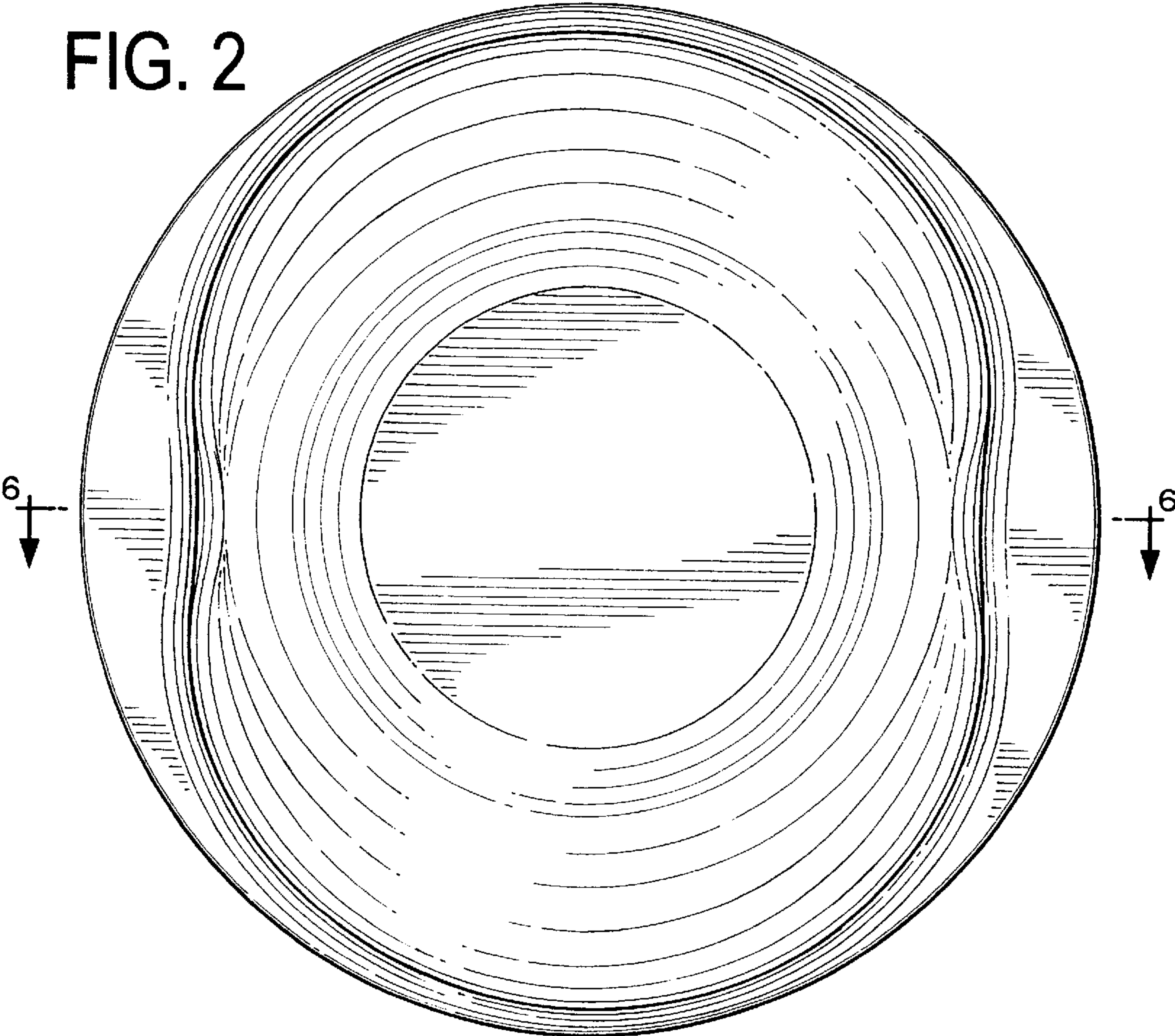


FIG. 3

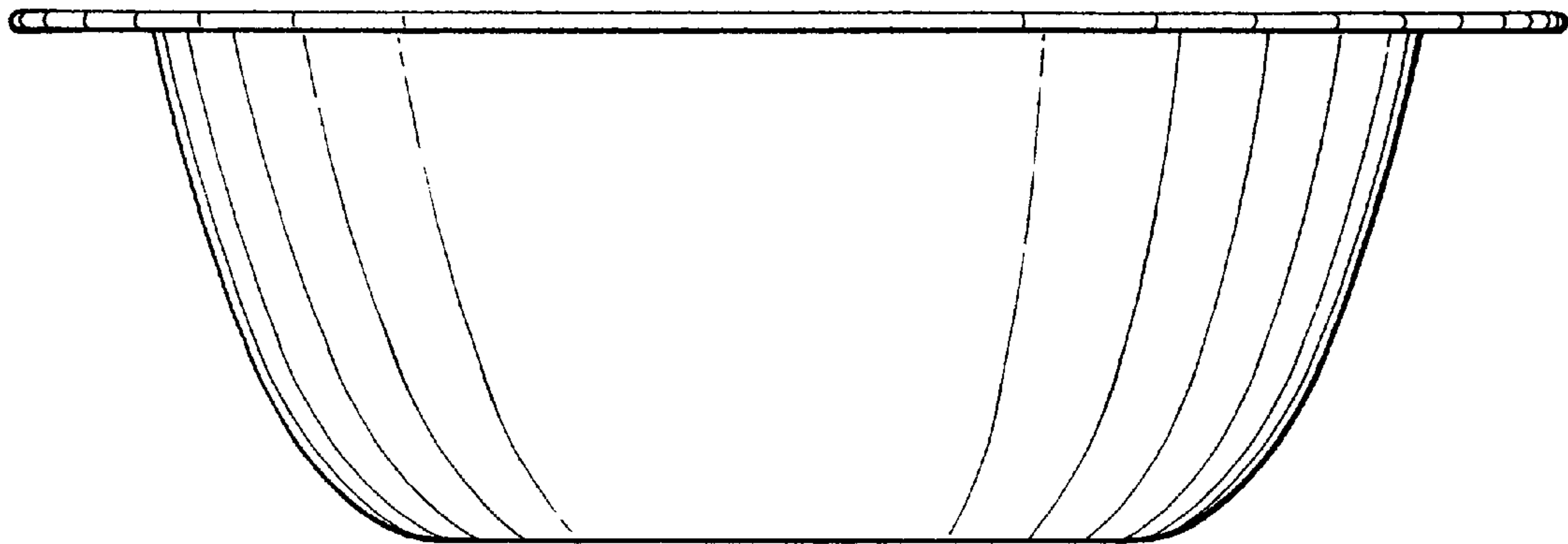


FIG. 4

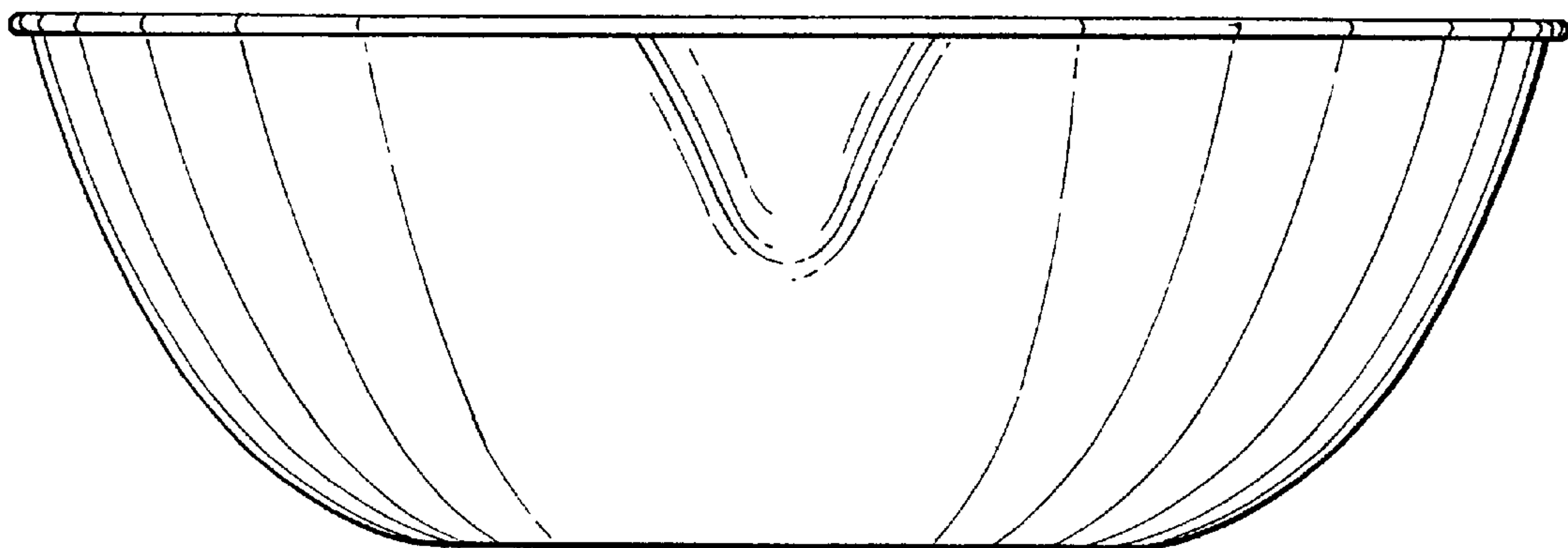


FIG. 5

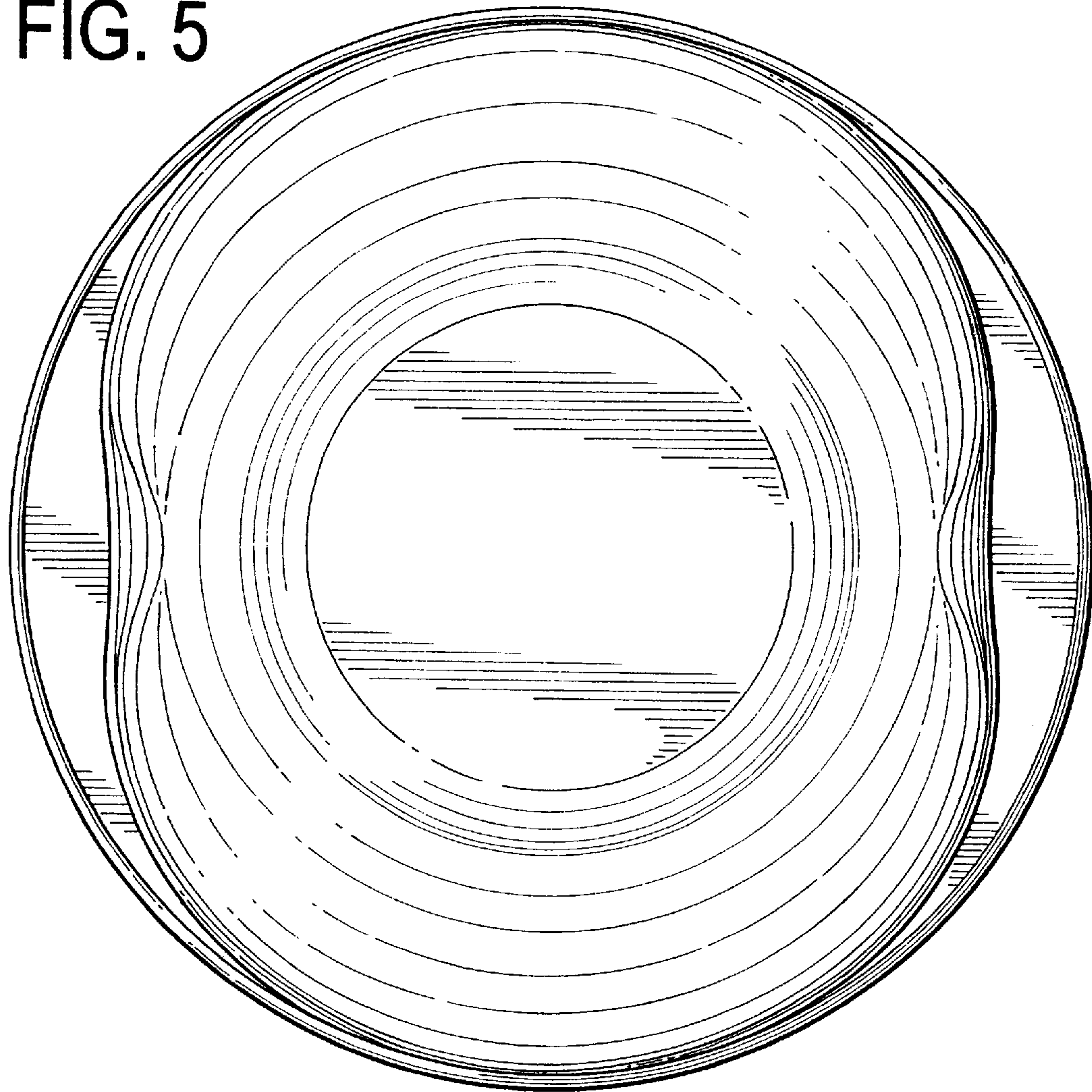


FIG. 6

