

US00D521317S

(12) **United States Design Patent**
Hessen et al.

(10) **Patent No.: US D521,317 S**

(45) **Date of Patent: ** May 23, 2006**

(54) **EXTERNAL SURFACE CONFIGURATION
FOR THE FRONT PANEL OF A STOVE**

D477,177 S * 7/2003 Jeong D7/340
D510,227 S * 10/2005 Baldwin D7/340

(75) Inventors: **W. Harry Hessen**, Memphis, TN (US);
Henry E. Cotter, Memphis, TN (US);
Terril J. Johnson, Bartlett, TN (US);
Oravimon C. Martin, Bartlett, TN
(US); **Keshia Renee Martin**, Memphis,
TN (US)

* cited by examiner

Primary Examiner—Robert A. Delehanty
Assistant Examiner—Mark Cavanna
(74) *Attorney, Agent, or Firm*—Walker, McKenzie &
Walker, P.C.

(73) Assignee: **Sharp Manufacturing Company of
America**, Memphis, TN (US)

(57) **CLAIM**

The ornamental design for the external surface configuration
for the front panel of a stove, as shown and described.

(**) Term: **14 Years**

DESCRIPTION

(21) Appl. No.: **29/229,815**

FIG. 1 is a front perspective view of an external surface
configuration for the front panel of a stove, showing our new
design;

(22) Filed: **May 12, 2005**

(51) **LOC (8) Cl.** **07-02**

(52) **U.S. Cl.** **D7/405; D7/340**

(58) **Field of Classification Search** D7/339–341,
D7/346–348, 323, 405, 393–395; 126/39 B,
126/39 C, 39 R

FIG. 2 is a front perspective view thereof with a drawer
thereof pulled partially out;

FIG. 3 is a front elevation view thereof;

FIG. 4 is a right side elevation view thereof, the left side
being a mirror image thereof; and,

FIG. 5 is a top plan view thereof.

See application file for complete search history.

The details shown in broken lines in FIGS. 1–5, and the
undisclosed rear and bottom views form no part of the
claimed design.

(56) **References Cited**

U.S. PATENT DOCUMENTS

D470,720 S * 2/2003 Jones et al. D7/405

1 Claim, 2 Drawing Sheets

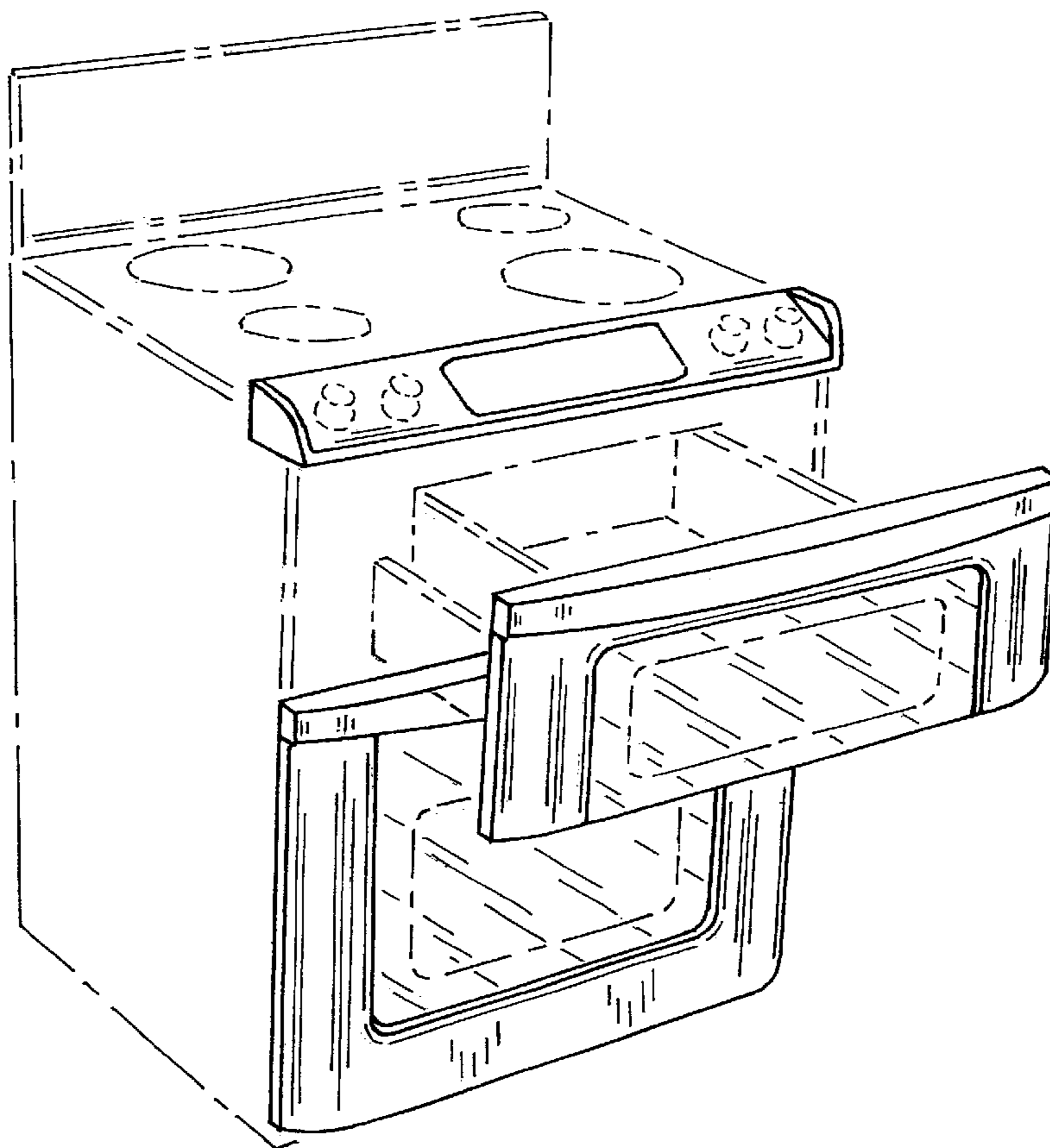


FIG. 1

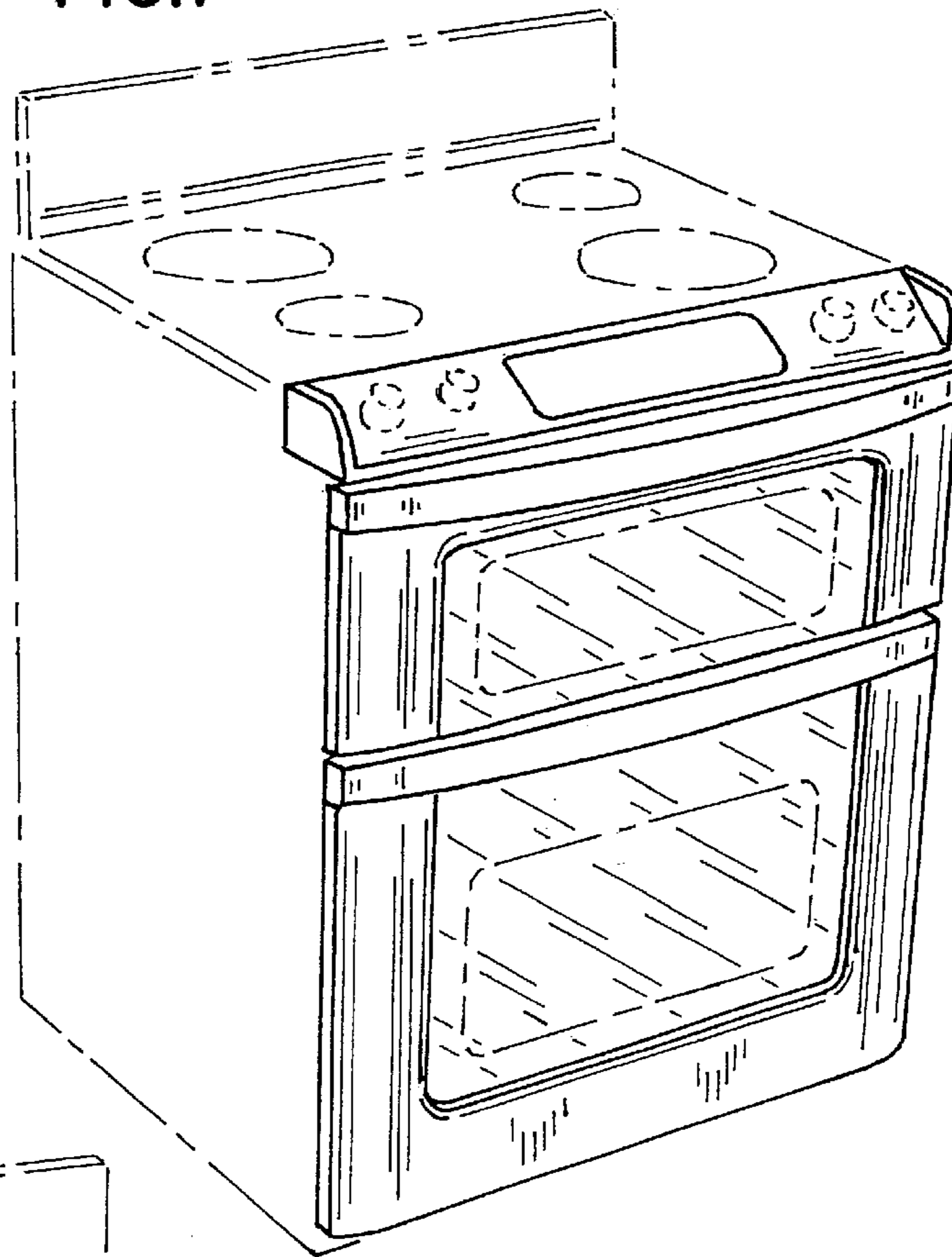


FIG. 2

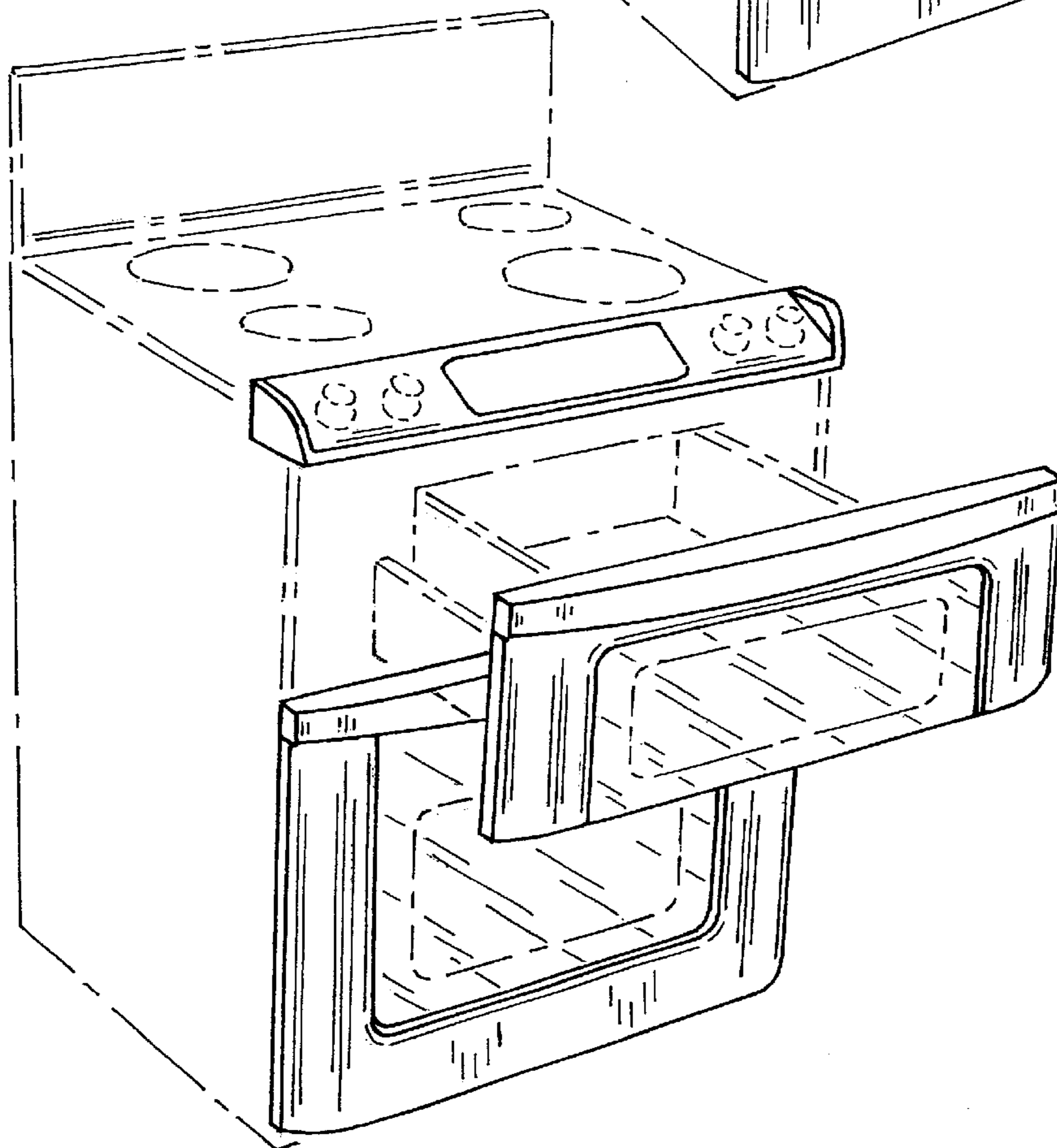


FIG. 3

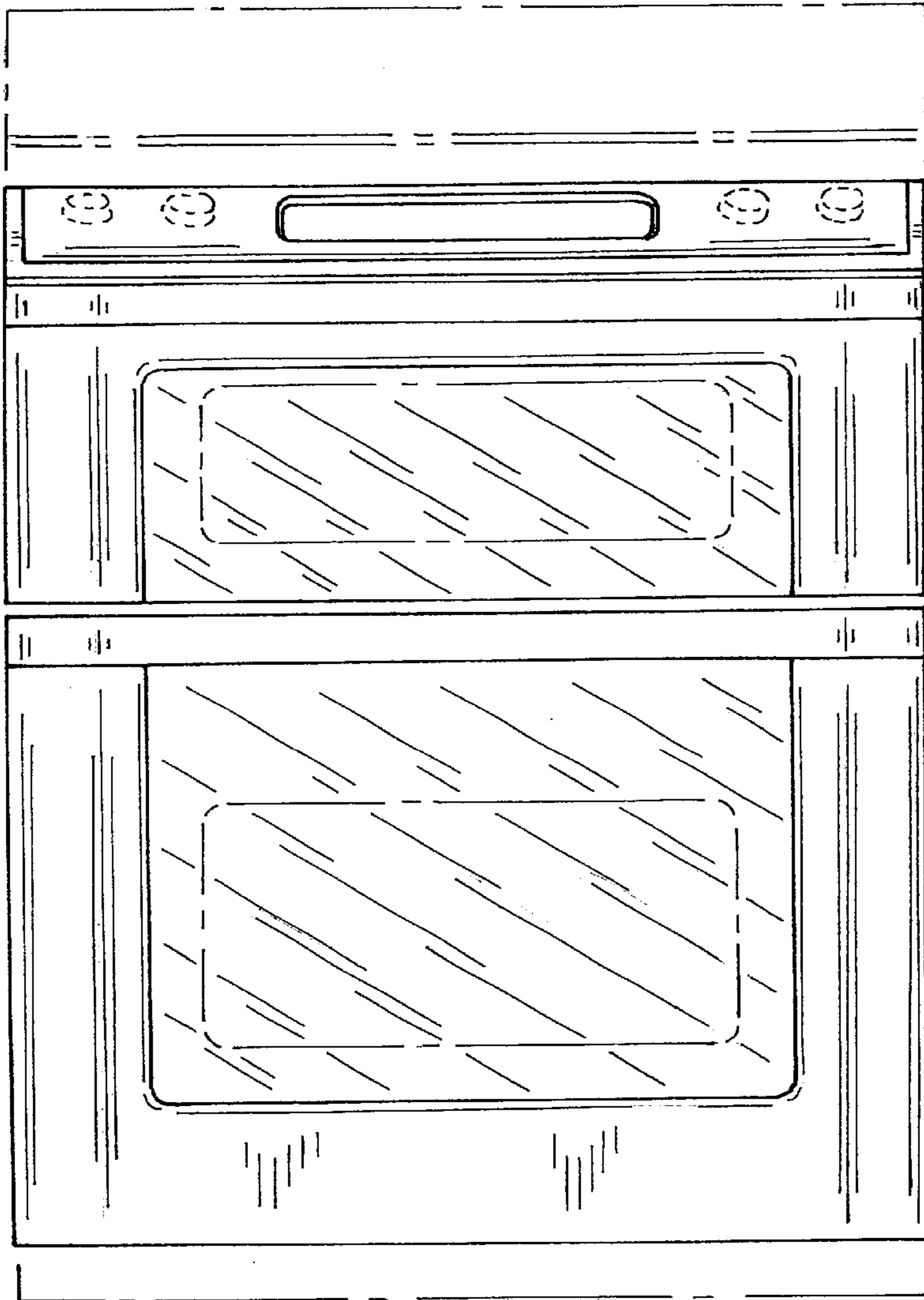


FIG. 4

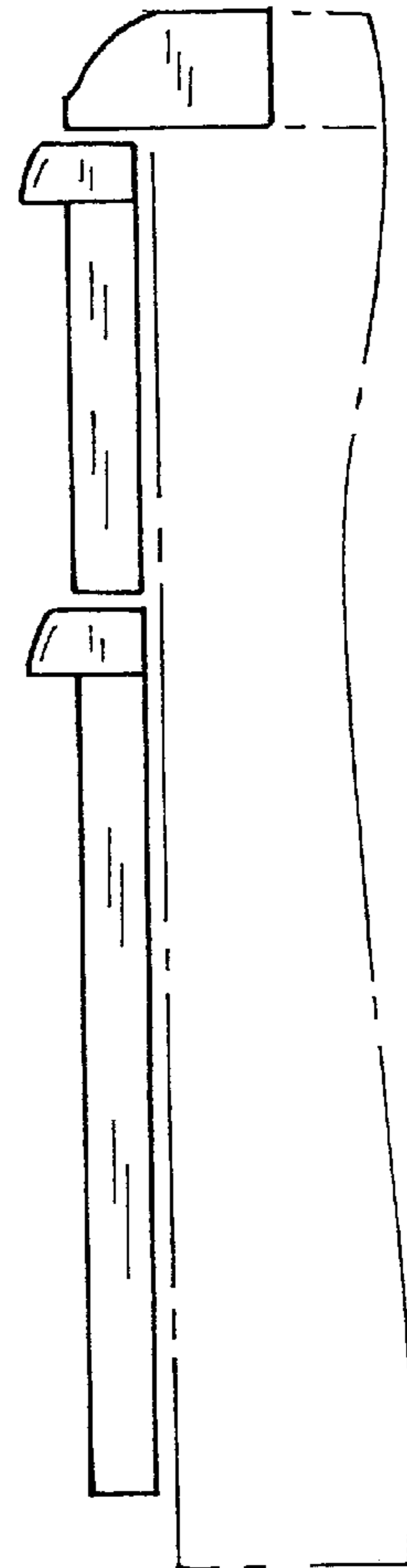
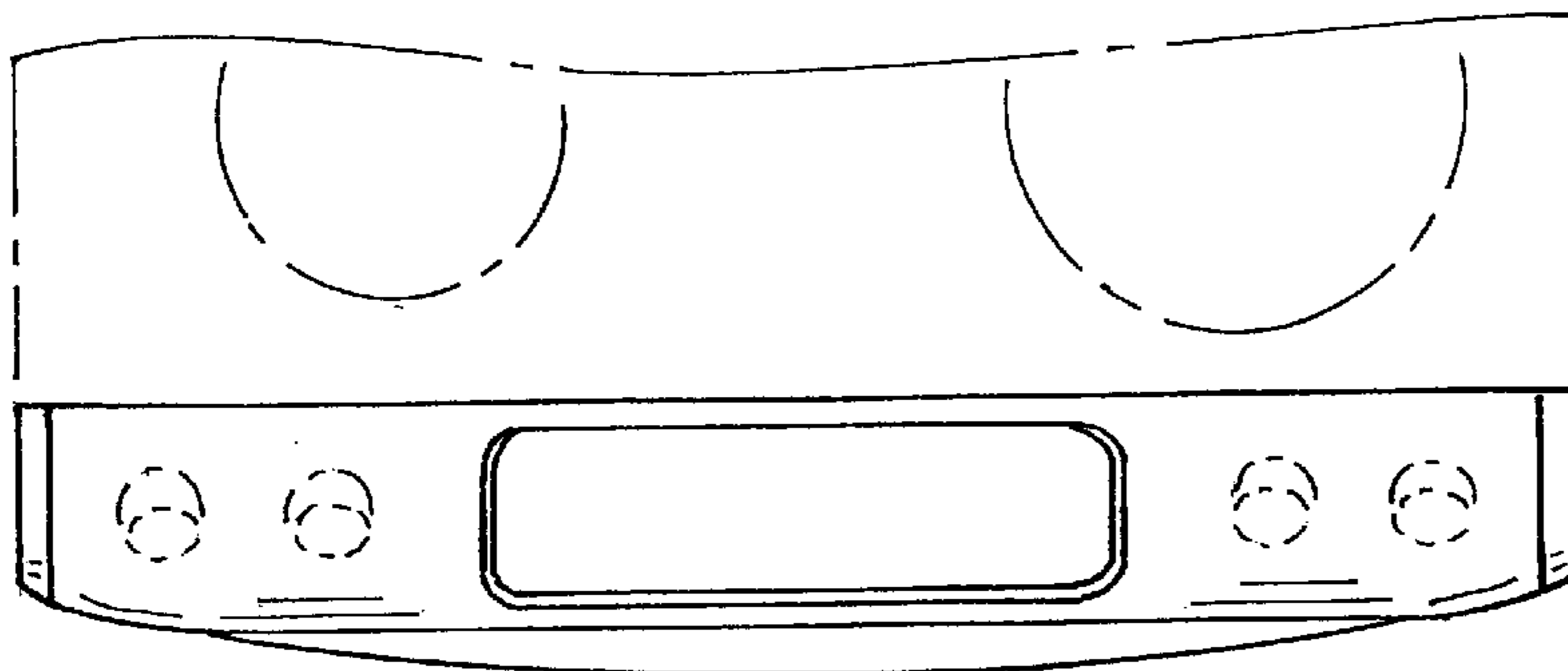


FIG. 5



UNITED STATES PATENT AND TRADEMARK OFFICE
CERTIFICATE OF CORRECTION

PATENT NO. : Des. 521,317 S
APPLICATION NO. : 29/229815
DATED : May 23, 2006
INVENTOR(S) : W. Harry Hessen et al.

Page 1 of 1

It is certified that error appears in the above-identified patent and that said Letters Patent is hereby corrected as shown below:

On the first page of the patent, item (75) (Inventors), change the last-named inventor's name from

-- Keshia Renee Martin, Memphis, TN (US) --

to

Keshia Renee Merritt, Memphis, TN (US)

Signed and Sealed this

Fifteenth Day of August, 2006

A handwritten signature in black ink on a dotted background. The signature reads "Jon W. Dudas" in a cursive style.

JON W. DUDAS

Director of the United States Patent and Trademark Office