

US00D521315S

(12) **United States Design Patent**
Boozer et al.

(10) **Patent No.:** **US D521,315 S**
(45) **Date of Patent:** **** May 23, 2006**

(54) **POURING SPOUT FOR A PITCHER**

(75) Inventors: **Richard D. Boozer**, Wakeman, OH (US); **Stephen P. Rukavina**, Bedford Heights, OH (US); **Robert M. Ulanski**, Broadview Heights, OH (US); **Jonathan M. Katz**, Solon, OH (US)

(73) Assignee: **Vita-Mix Corporation**, Cleveland, OH (US)

(**) Term: **14 Years**

(21) Appl. No.: **29/205,893**

(22) Filed: **May 21, 2004**

(51) **LOC (8) Cl.** **07-99**

(52) **U.S. Cl.** **D7/398; D7/397**

(58) **Field of Classification Search** D7/397, D7/398, 399, 392, 317, 318, 319, 316; D9/435, D9/440, 447; D32/54; 220/4.03, 713; 215/382; 222/570, 569, 143

See application file for complete search history.

(56) **References Cited**

U.S. PATENT DOCUMENTS

3,309,000	A	*	3/1967	Haverstick	222/569
D213,796	S	*	4/1969	Marue	D7/317
D227,535	S	*	7/1973	Grimes	D7/318
4,014,465	A	*	3/1977	Ritter	222/563
D249,646	S	*	9/1978	Ritter	D9/447
D288,535	S	*	3/1987	Bozich	D9/447
D292,491	S	*	10/1987	Ross et al.	D9/447
D319,981	S	*	9/1991	Sledge	D9/447

5,392,969	A	*	2/1995	Usery	222/570
D371,714	S	*	7/1996	Lewis	D7/318
6,068,161	A	*	5/2000	Soehnen et al.	222/143
D489,261	S	*	5/2004	Doelling	D9/447
D510,266	S	*	10/2005	Walsh et al.	D9/447

* cited by examiner

Primary Examiner—M. N. Pandozzi

(74) *Attorney, Agent, or Firm*—Renner, Kenner, Greive, Bobak, Taylor & Weber

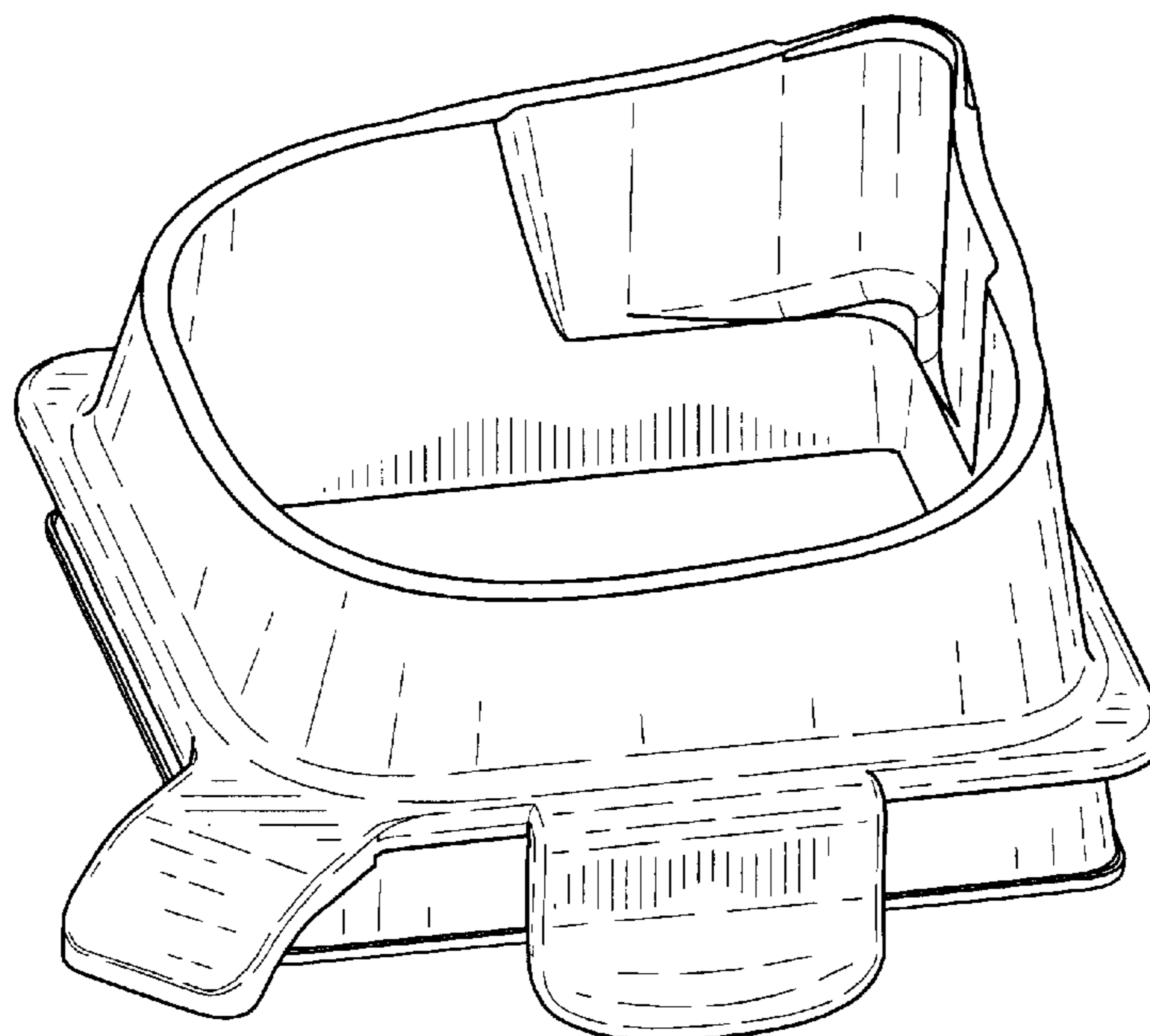
(57) **CLAIM**

The ornamental design for a pouring spout for a pitcher, as shown and described.

DESCRIPTION

FIG. 1 is an in use elevational view of a pouring spout for a pitcher taken in the direction of line 4—4 of FIG. 2; FIG. 2 is a perspective view of a pouring spout for a pitcher showing our new design; FIG. 3 is an elevational view taken along line 3—3 of FIG. 2; FIG. 4 is an elevational view taken along line 4—4 of FIG. 2; FIG. 5 is an elevational view taken along line 5—5 of FIG. 2; FIG. 6 is an elevational view taken along line 6—6 of FIG. 2; FIG. 7 is a top plan view thereof; and, FIG. 8 is a bottom plan view thereof. The broken lines in FIG. 1 are for illustrative purposes only and form no part of the claimed design.

1 Claim, 4 Drawing Sheets



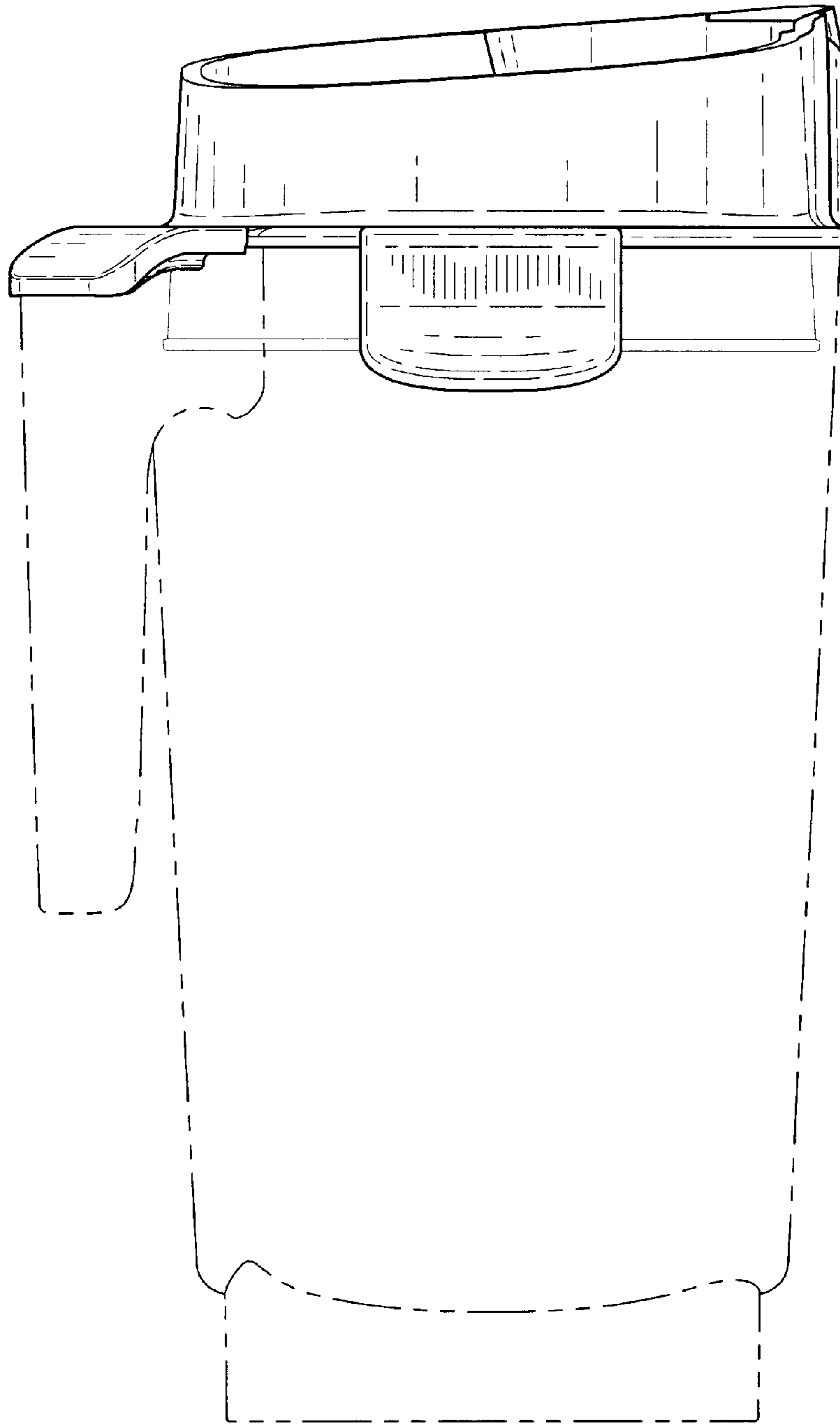


FIG-1

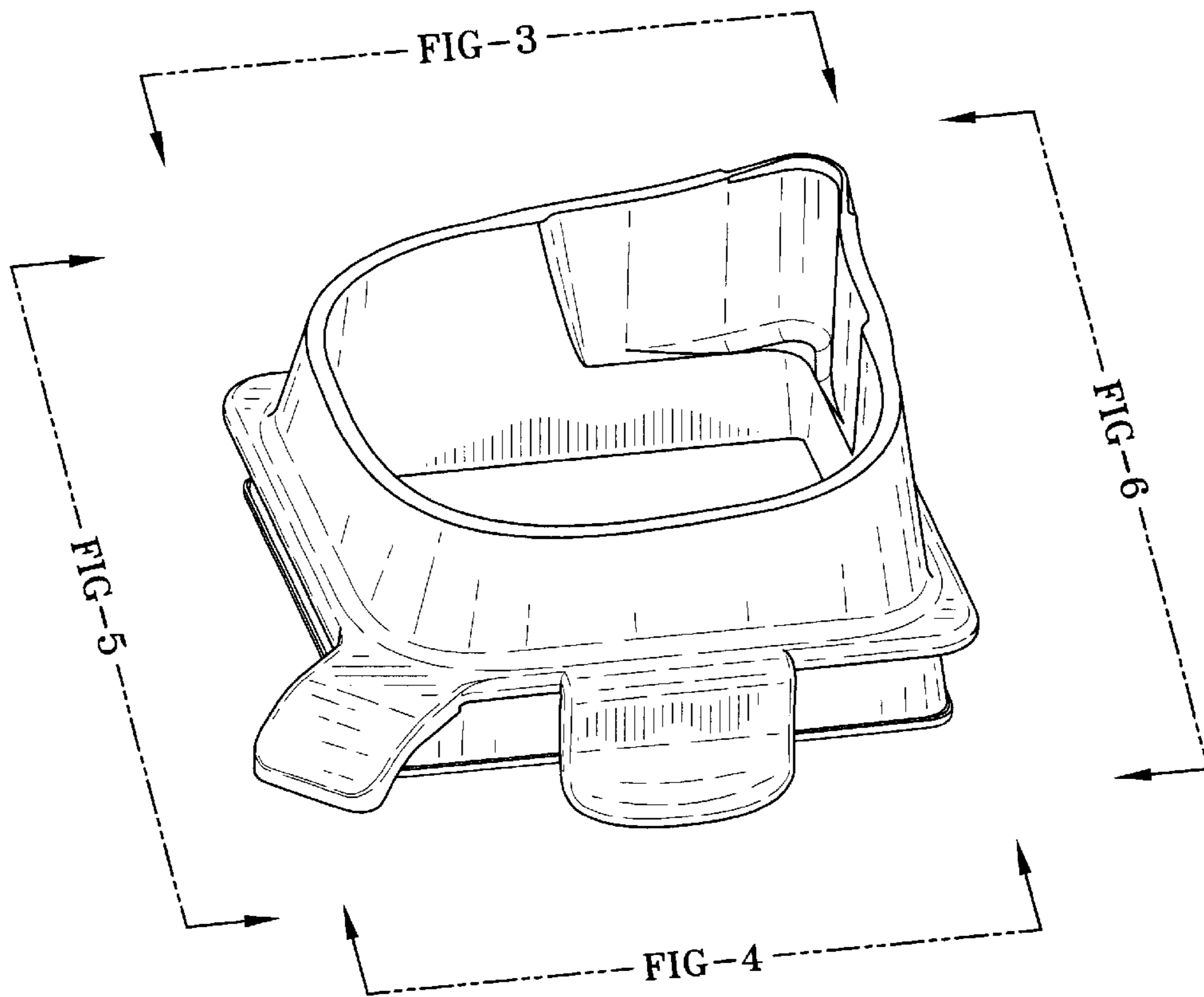


FIG-2

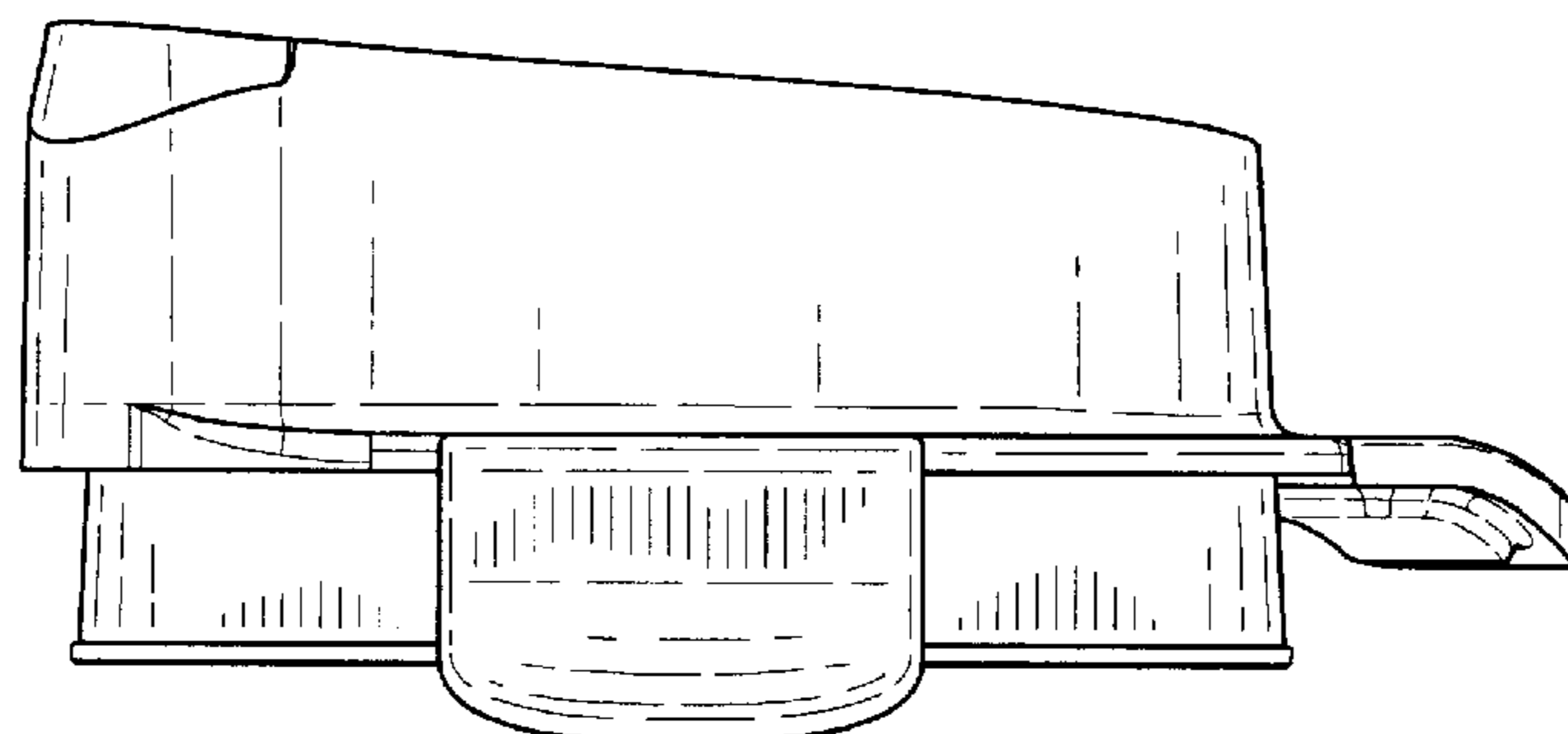


FIG-3

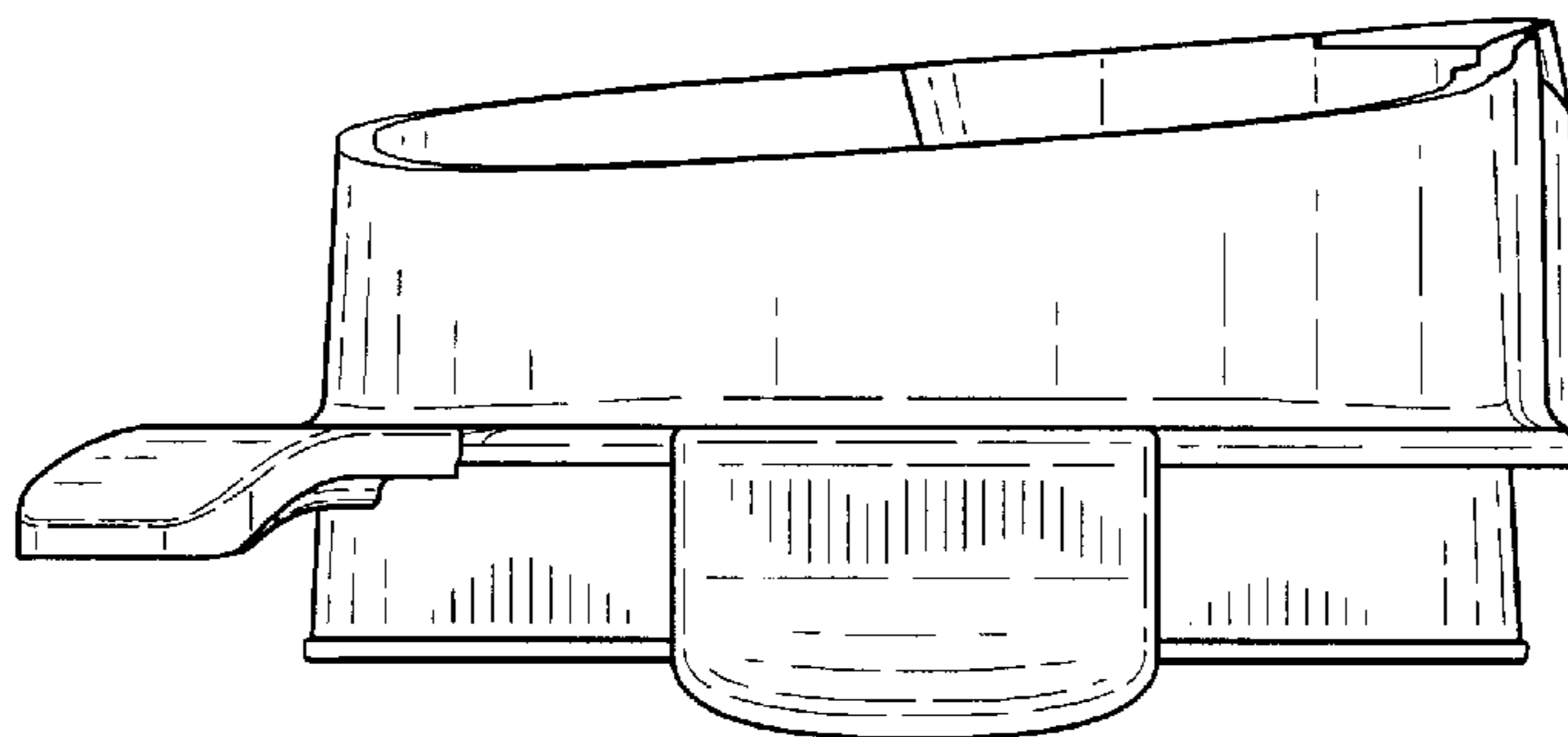


FIG-4

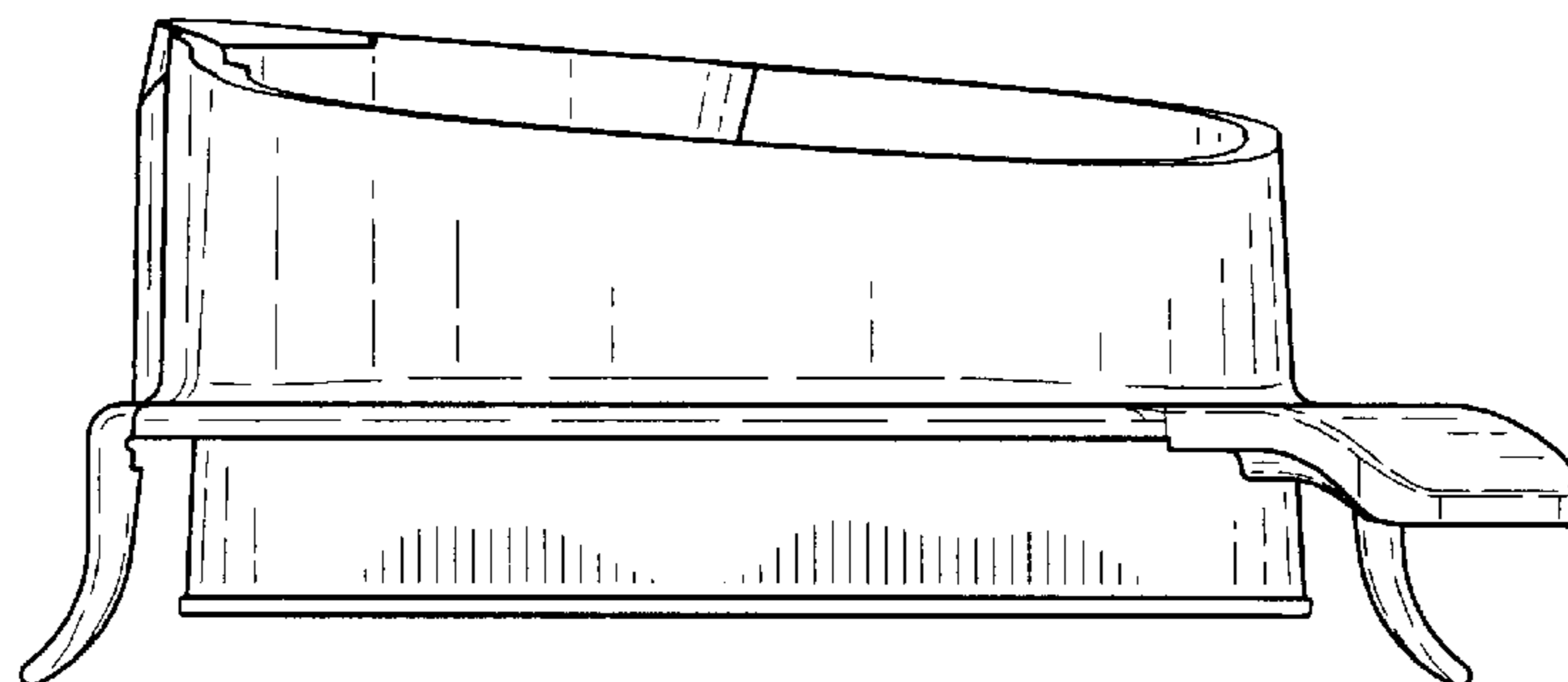


FIG-5

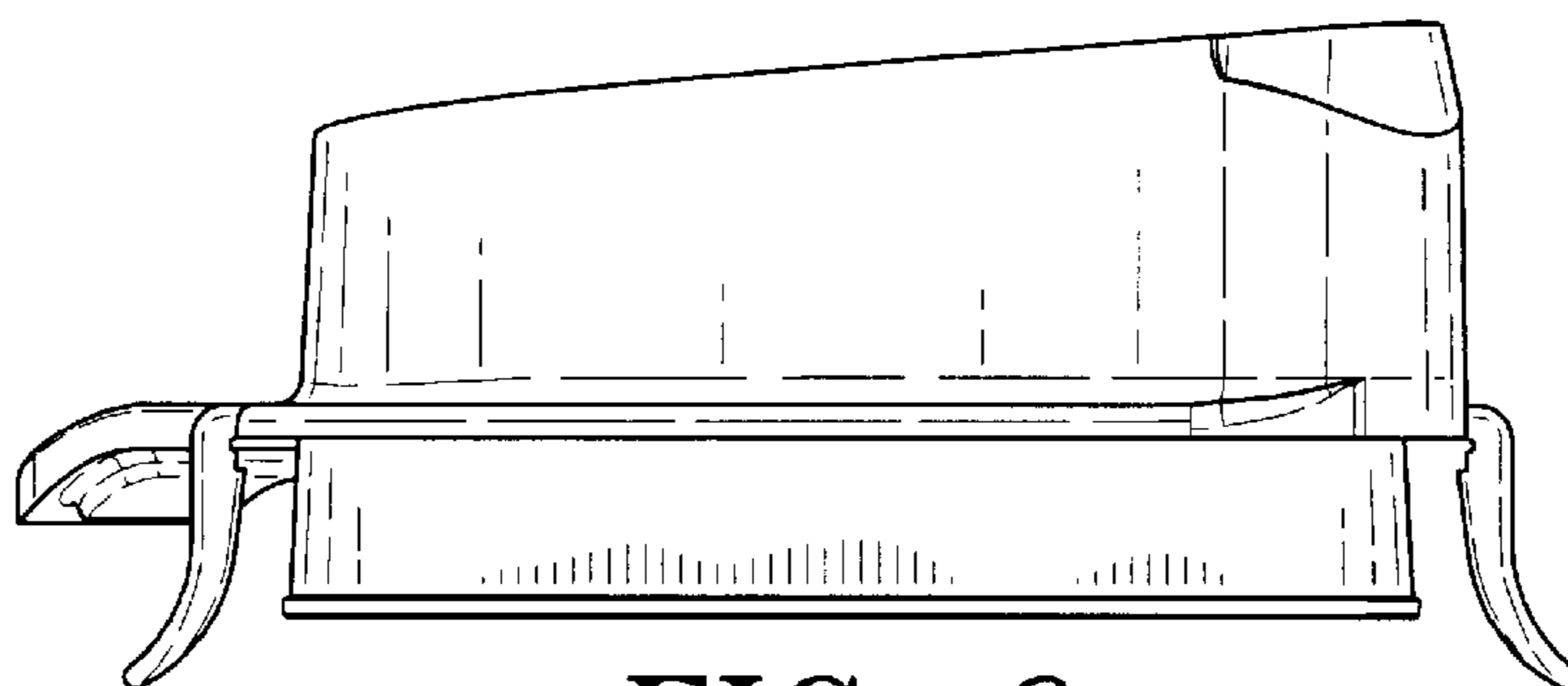


FIG-6

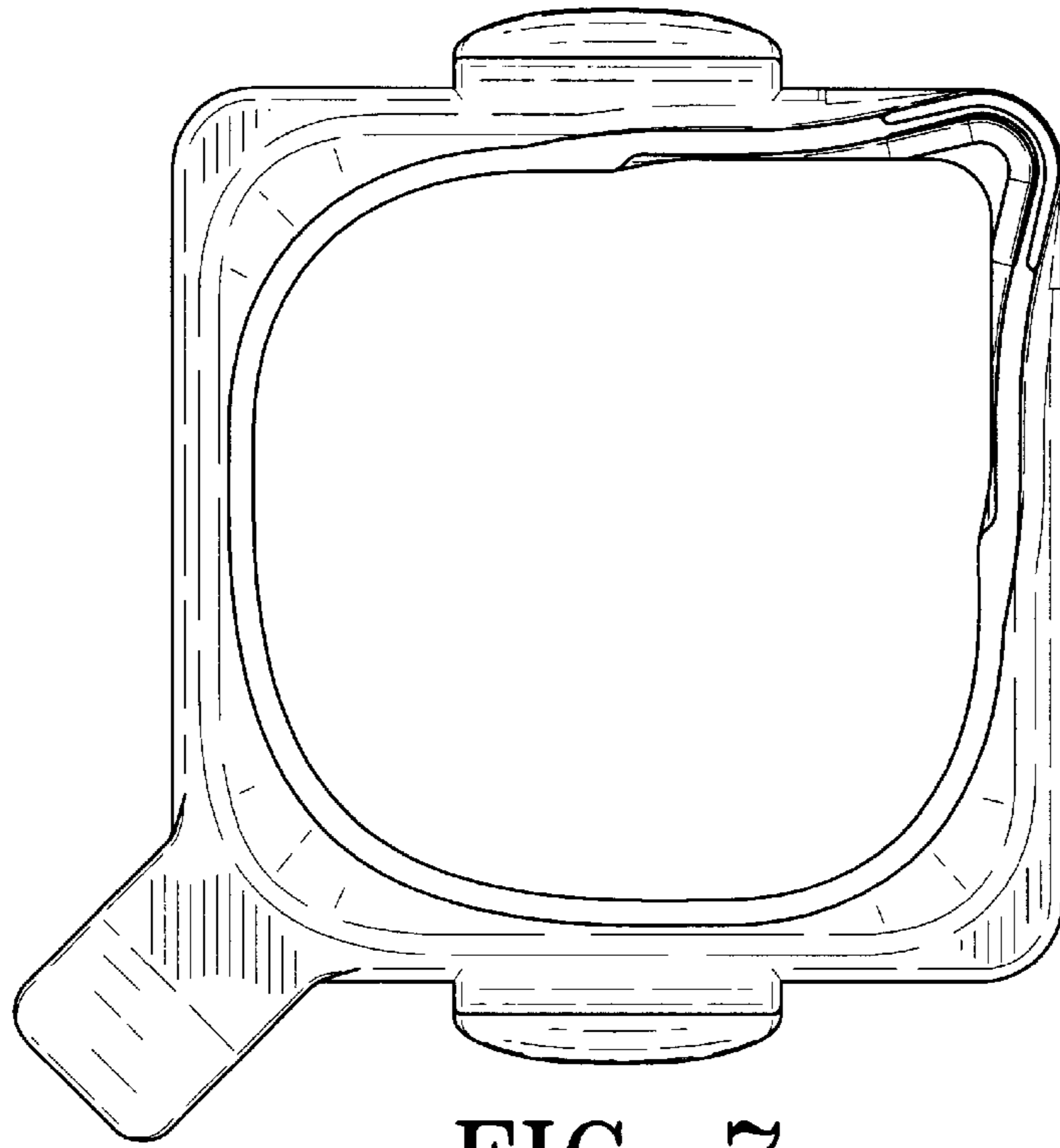


FIG-7

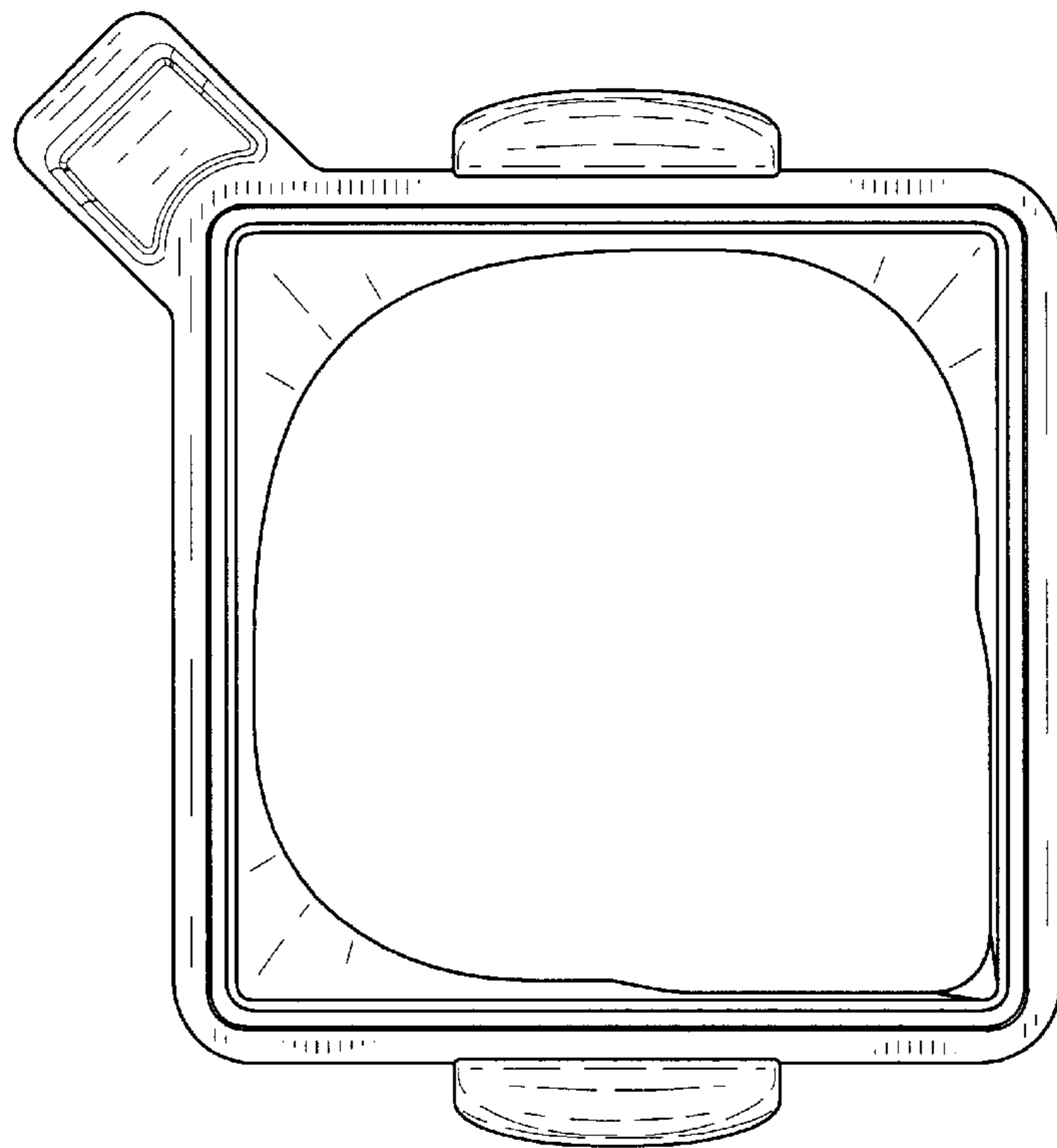


FIG-8