



US00D521314S

(12) **United States Design Patent**
Ball

(10) **Patent No.:** **US D521,314 S**

(45) **Date of Patent:** **** May 23, 2006**

(54) **CONTROL KNOB FOR TOASTER**

(75) Inventor: **Alan D. Ball**, Somerville, MA (US)

(73) Assignee: **Conair Corporation**, Stamford, CT (US)

(**) Term: **14 Years**

(21) Appl. No.: **29/212,505**

(22) Filed: **Sep. 2, 2004**

(51) **LOC (8) Cl.** **07-02**

(52) **U.S. Cl.** **D7/393**

(58) **Field of Classification Search** D7/393,
D7/354-361, 328-330; D8/300, 301, 307,
D8/310, 312, 319, 320; 220/752; 16/110.1,
16/414, 417, 441, 443

See application file for complete search history.

(56) **References Cited**

U.S. PATENT DOCUMENTS

951,287 A	3/1910	Parkhurst	
2,070,333 A	2/1937	Freeman	
2,309,641 A	2/1943	Gough	
2,491,829 A	12/1949	Palmer et al.	
2,779,849 A	1/1957	Gomersall	
D185,912 S	* 8/1959	Hvale	D7/393
D187,944 S	* 5/1960	Eckersberg et al.	D7/393
3,169,469 A	2/1965	Parr	
D202,062 S	* 8/1965	Yamazaki	D7/360
3,258,855 A	7/1966	Flower et al.	
3,279,352 A	10/1966	Jepson et al.	
D208,918 S	* 10/1967	Dole	D8/311
3,534,706 A	* 10/1970	Crispell	116/320
3,587,907 A	6/1971	Okuda et al.	

D225,204 S	* 11/1972	Kendrick	D8/311
3,866,525 A	2/1975	Oxel	
D267,073 S	* 11/1982	Lefevre	D7/393
D333,065 S	* 2/1993	Murphy	D7/391
D371,486 S	* 7/1996	Chan	D7/393
D394,184 S	* 5/1998	Demore	D7/391
D400,778 S	* 11/1998	Holbrook, Jr.	D8/311
5,960,702 A	10/1999	Thiriart et al.	
6,192,790 B1	2/2001	Balandier	
D443,496 S	* 6/2001	DeCosse	D8/300
D451,339 S	* 12/2001	Munari	D7/393
6,431,057 B1	8/2002	Leung et al.	
6,595,111 B1	7/2003	Chiu et al.	
D495,196 S	* 8/2004	Howell et al.	D7/361
D511,669 S	* 11/2005	Miller	D8/300
2003/0066434 A1	4/2003	Tomsich et al.	

* cited by examiner

Primary Examiner—Holly Baynham

Assistant Examiner—Cynthia M. Chin

(74) *Attorney, Agent, or Firm*—Lawrence Cruz; Steven A. Garner

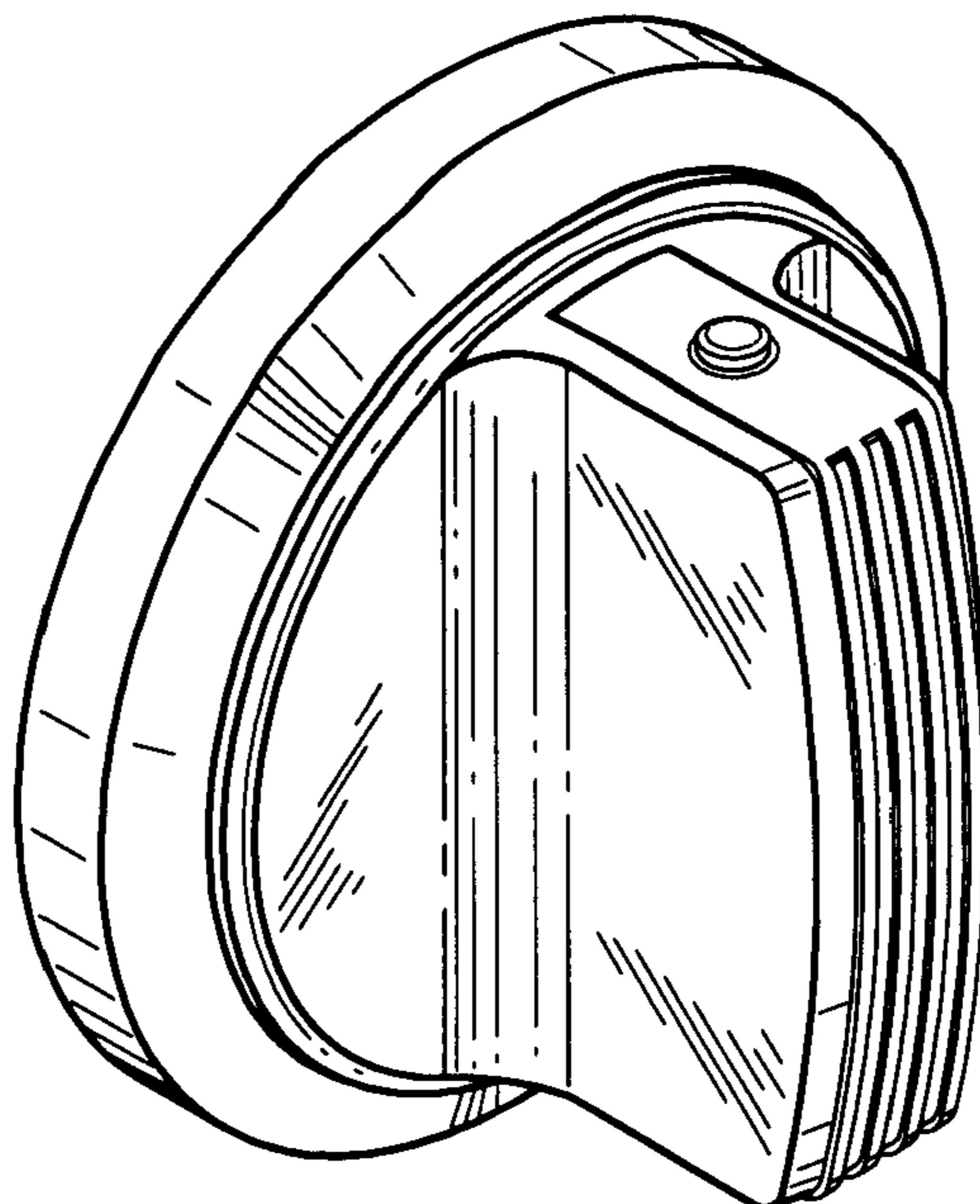
(57) **CLAIM**

The ornamental design for a control knob for toaster, as shown and described.

DESCRIPTION

FIG. 1 is a perspective view of a control knob for toaster showing my new design;
FIG. 2 is a right side view thereof;
FIG. 3 is a top view thereof;
FIG. 4 is a bottom view thereof;
FIG. 5 is a front view thereof; and,
FIG. 6 is a rear view thereof.

1 Claim, 1 Drawing Sheet



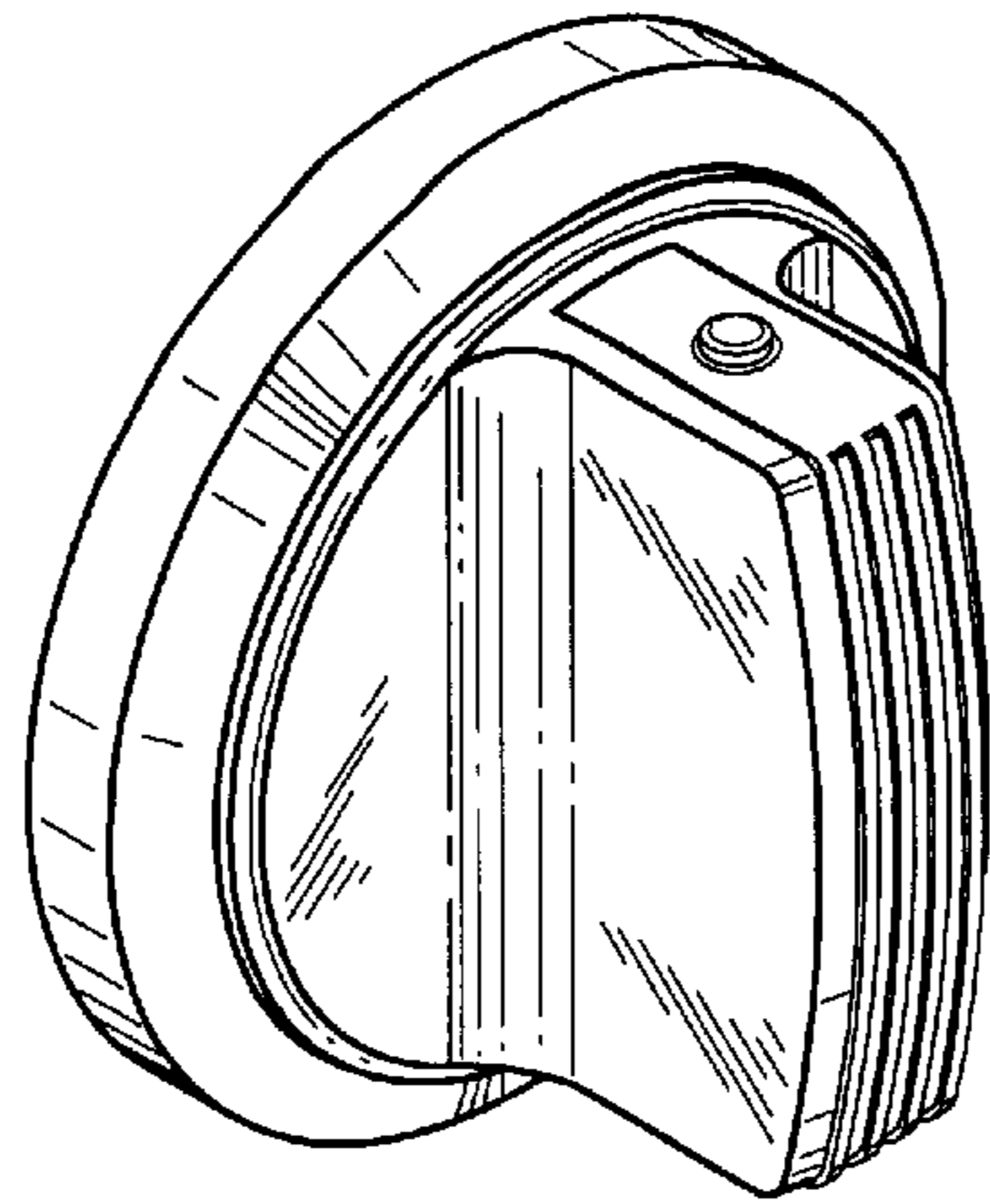


FIG. 1

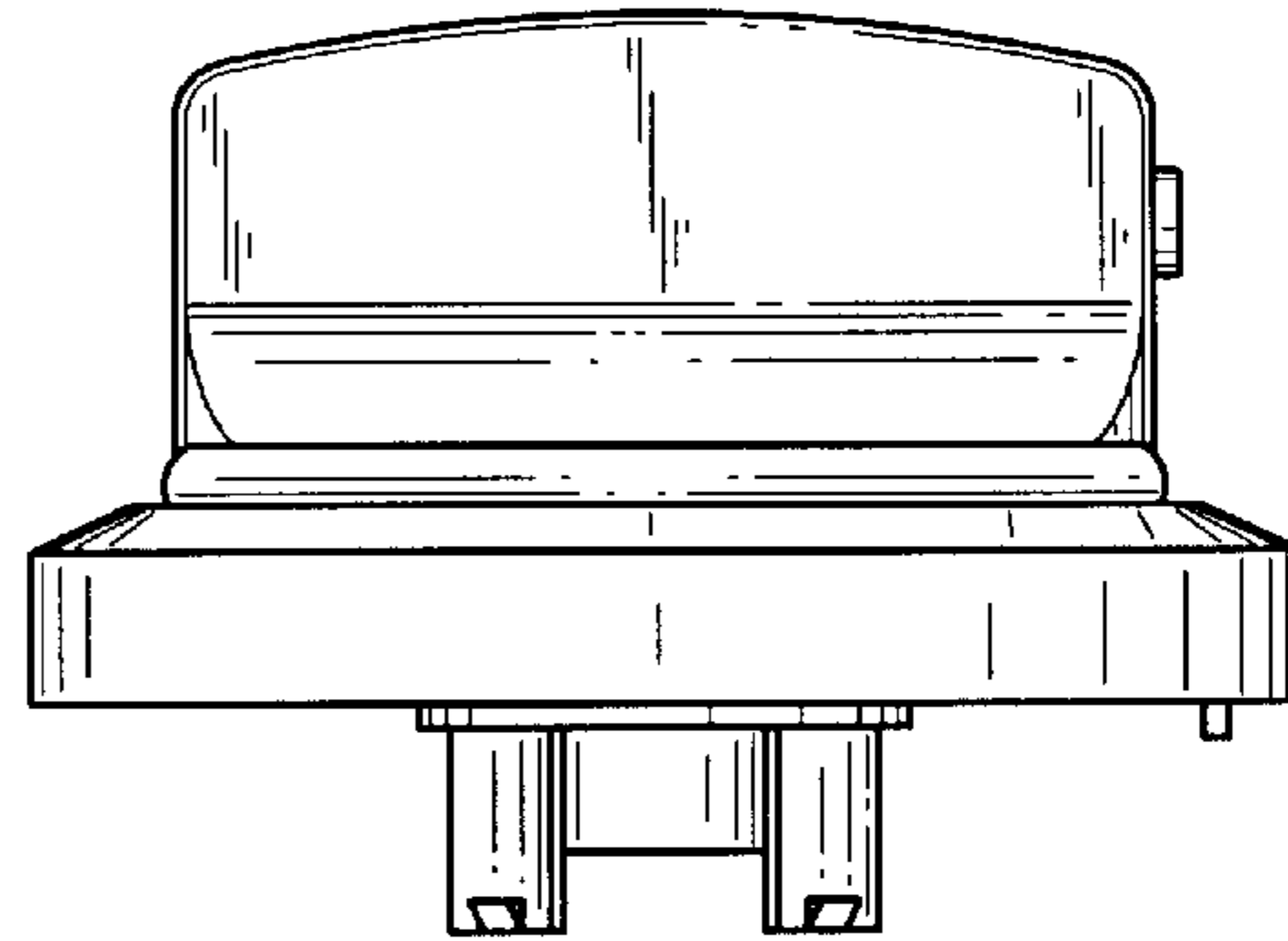


FIG. 2

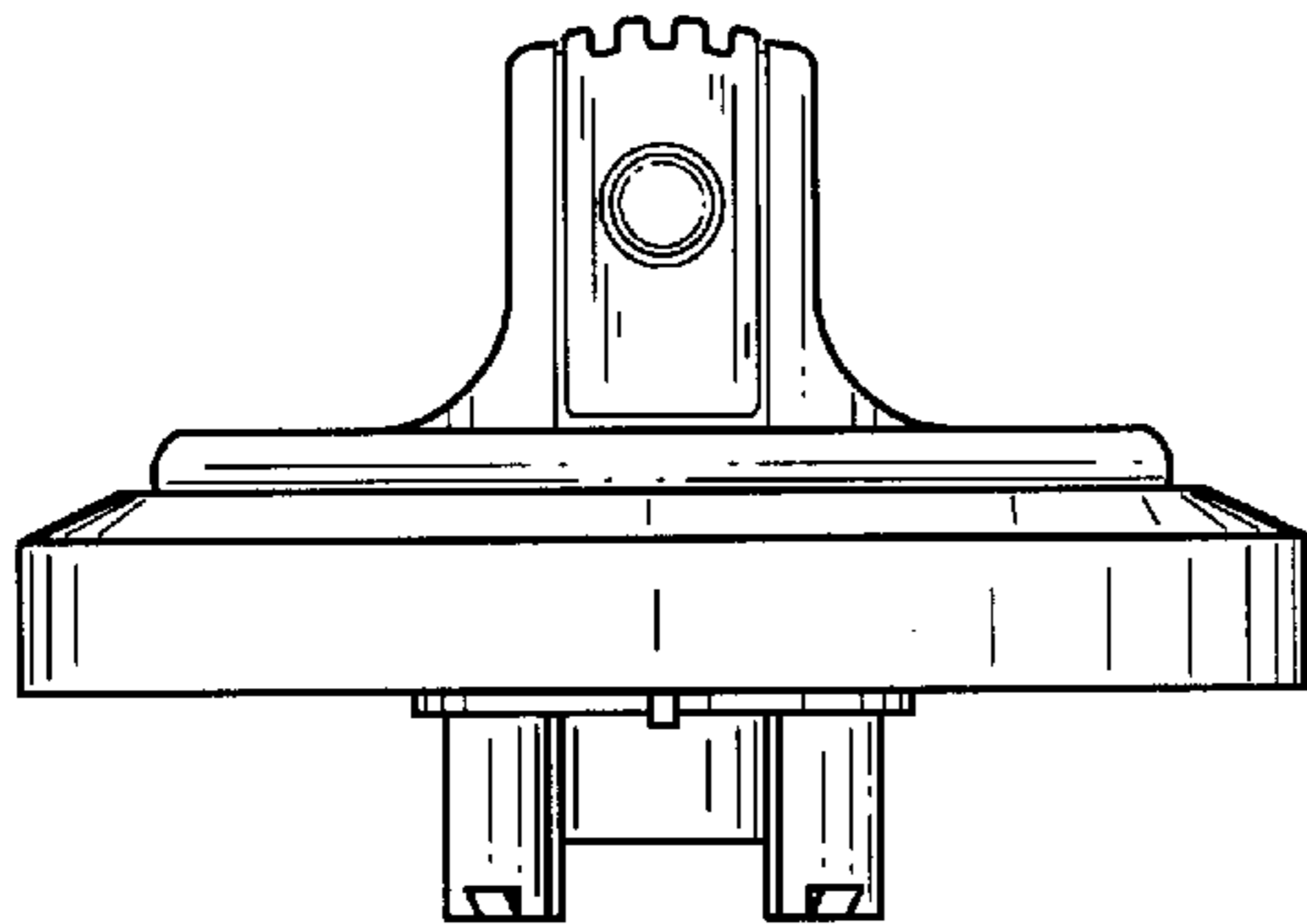


FIG. 3

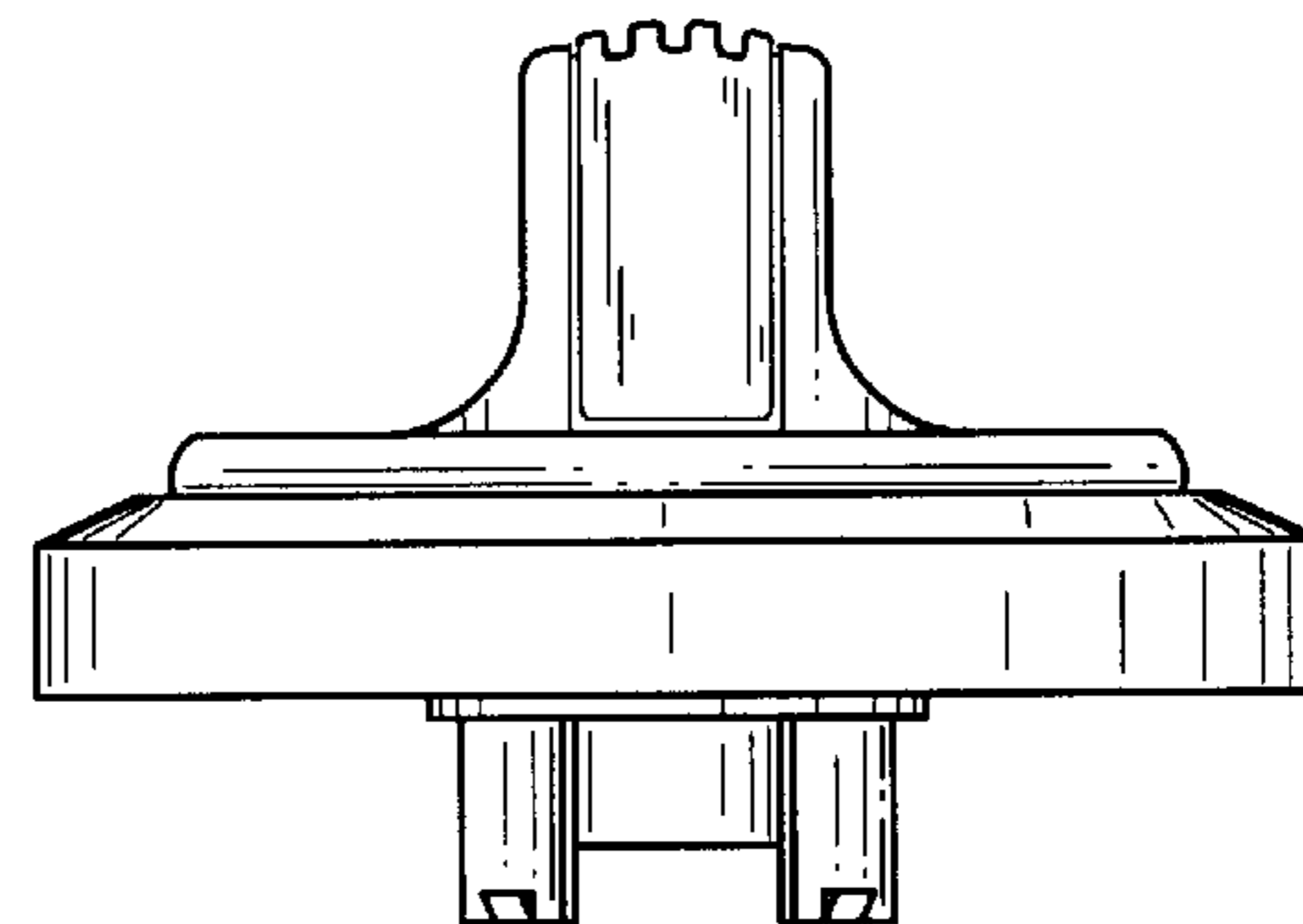


FIG. 4

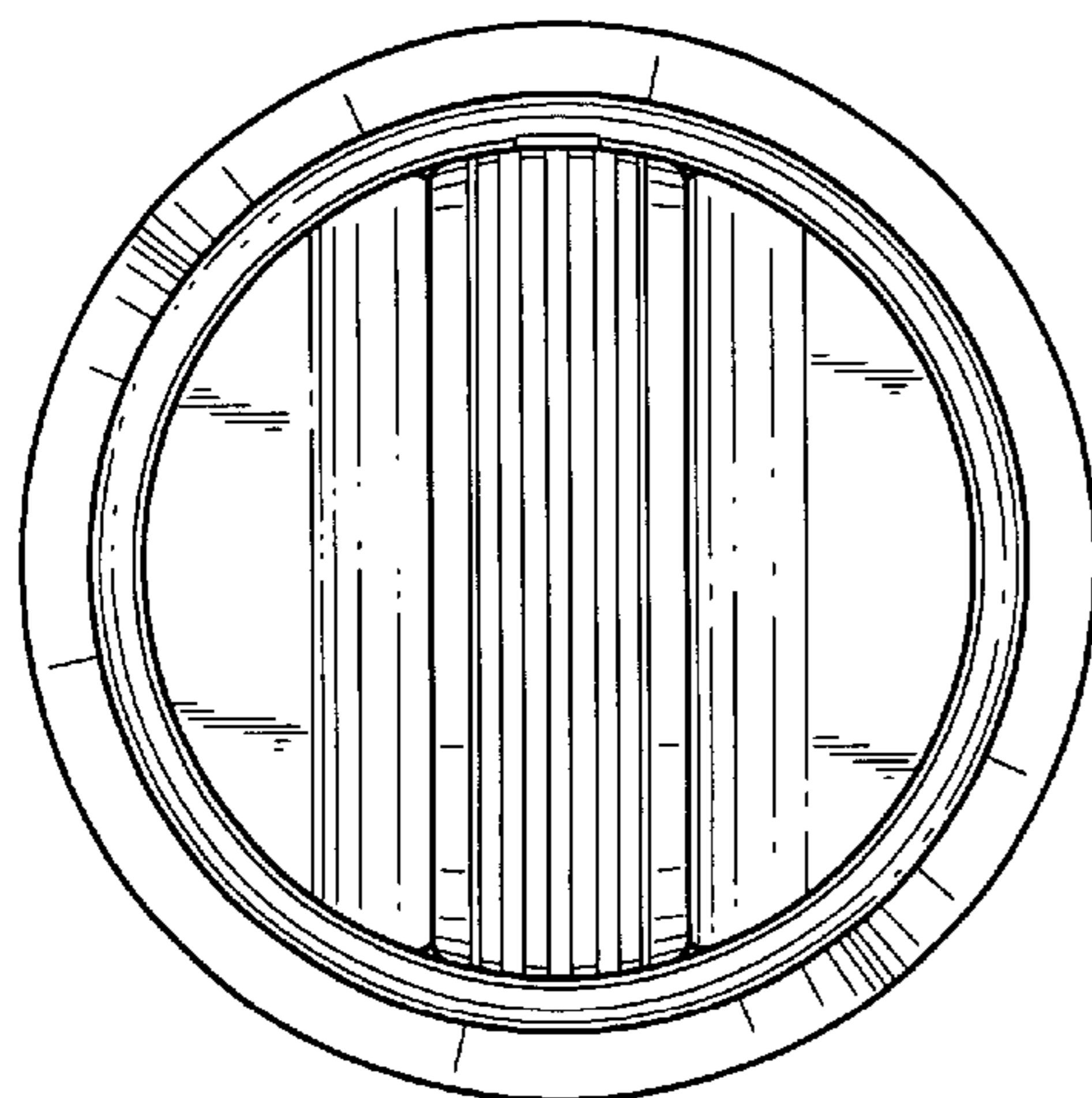


FIG. 5

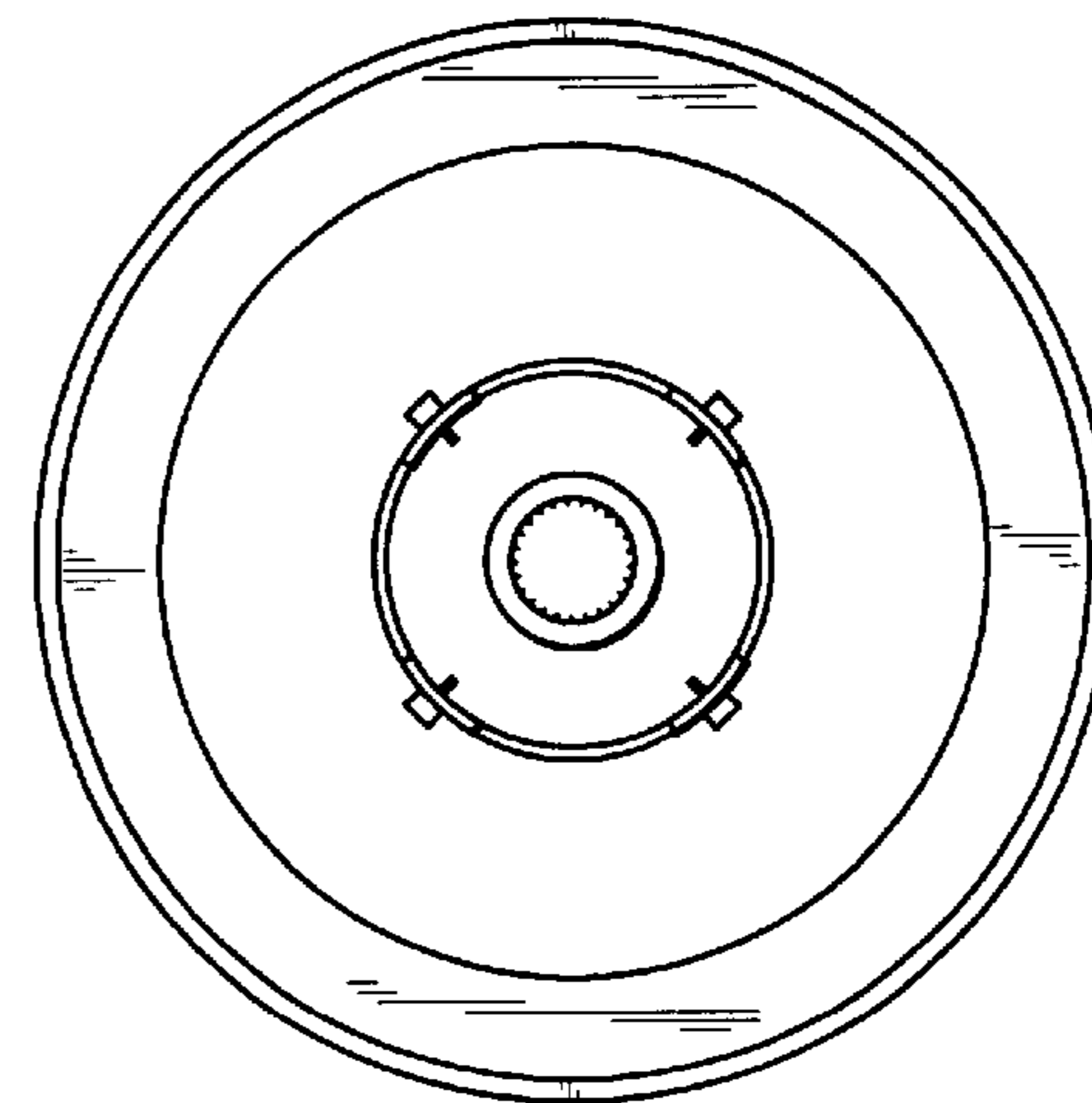


FIG. 6