

US00D521313S

(12) **United States Design Patent**
Pukall et al.

(10) **Patent No.:** **US D521,313 S**

(45) **Date of Patent:** **** May 23, 2006**

(54) **SAUCEPAN**

(75) Inventors: **Britta Pukall**, Maennedorf (CH);
Therese Naef, Baden (CH)

(73) Assignee: **Fissler GmbH**, Idar-Oberstein (DE)

(**) Term: **14 Years**

(21) Appl. No.: **29/223,090**

(22) Filed: **Feb. 9, 2005**

(51) **LOC (8) Cl.** **07-02**

(52) **U.S. Cl.** **D7/361**

(58) **Field of Classification Search** D7/354-361,
D7/402, 393-395, 323, 500, 538-548, 584-588;
220/573.1, 574.2; 29/527, 527.1, 527.4; 99/422,
99/425, 403, 445; 126/390; 210/464-469
See application file for complete search history.

(56) **References Cited**

U.S. PATENT DOCUMENTS

- 1,447,813 A * 3/1923 Patrick 99/425
- 1,623,397 A * 4/1927 Dunlap 210/465
- 1,948,849 A * 2/1934 Dunlap 210/246

- 2,006,704 A * 7/1935 Van Muffling 222/173
- 2,185,897 A * 1/1940 Krause et al. 210/244
- 2,303,841 A * 12/1942 Kircher 222/545
- D230,459 S * 2/1974 Gulotta D7/360
- 4,310,418 A * 1/1982 Busbey 210/467
- 5,653,881 A * 8/1997 Bruss et al. 210/467

* cited by examiner

Primary Examiner—Caron D. Veynar

Assistant Examiner—Ricky Pham

(74) *Attorney, Agent, or Firm*—Foley & Lardner LLP

(57) **CLAIM**

The ornamental design for a saucepan, as shown.

DESCRIPTION

FIG. 1 is a perspective view of a saucepan showing our new design;

FIG. 2 is a front elevational view thereof;

FIG. 3 is a rear elevational view thereof;

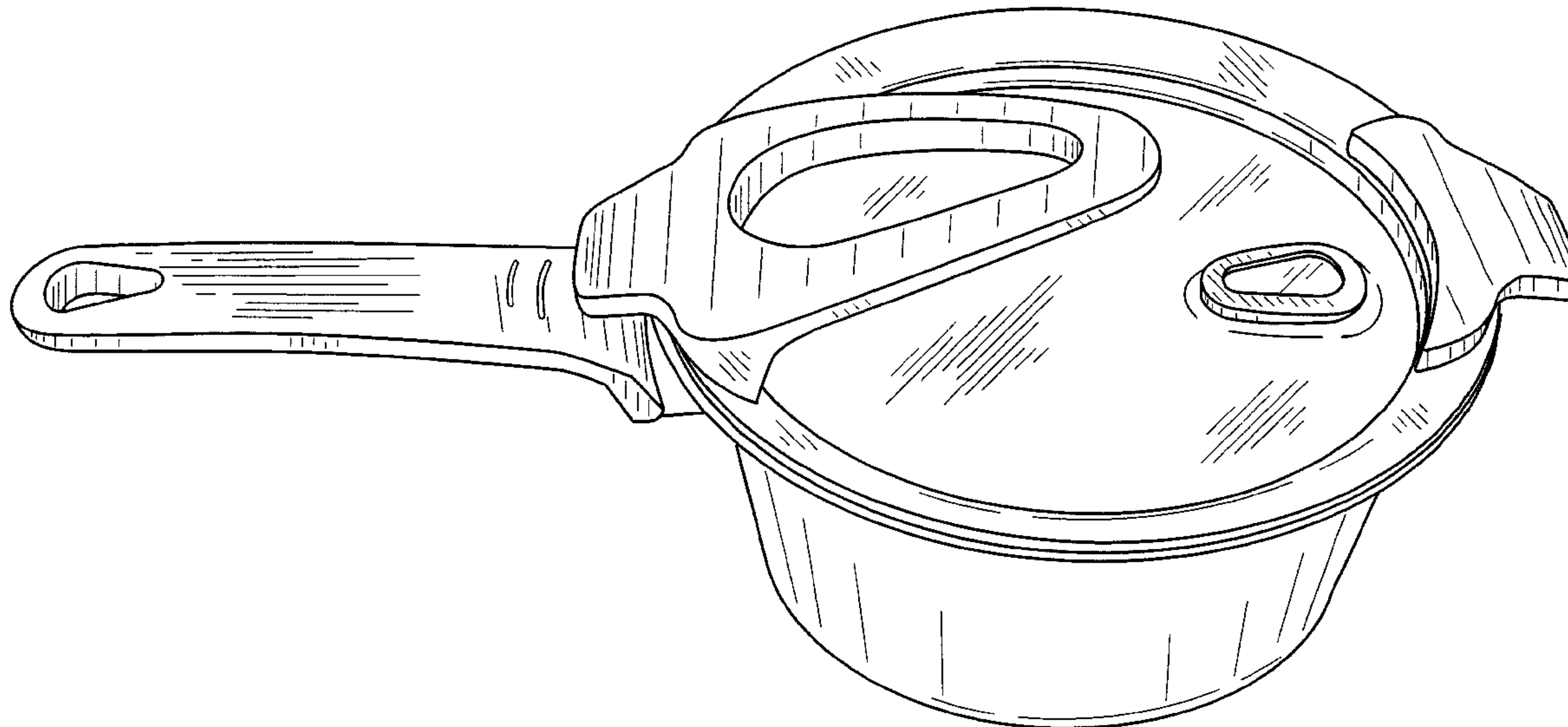
FIG. 4 is a right side elevational view thereof;

FIG. 5 is a left side elevational view thereof;

FIG. 6 is a top plan view thereof; and,

FIG. 7 is a bottom plan view thereof.

1 Claim, 7 Drawing Sheets



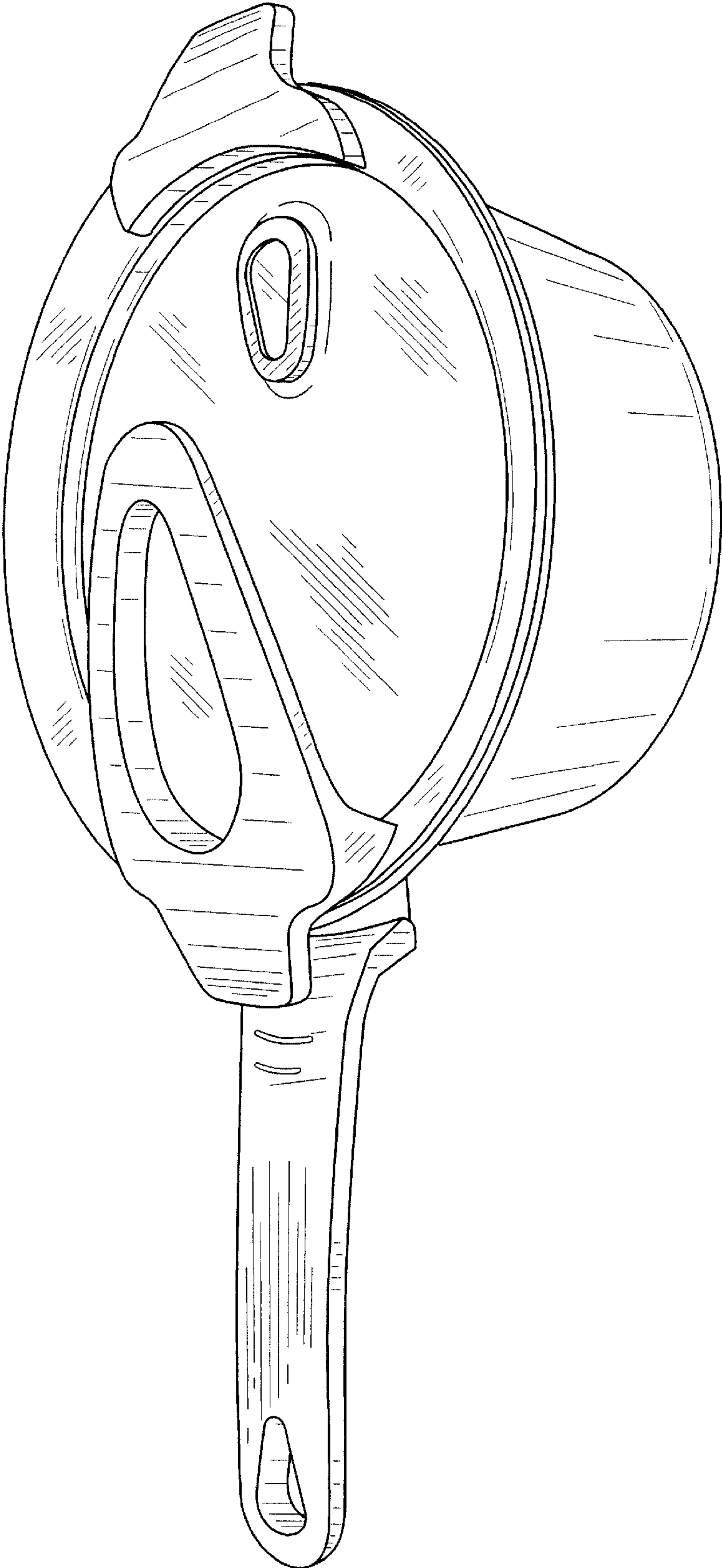


FIG. 1

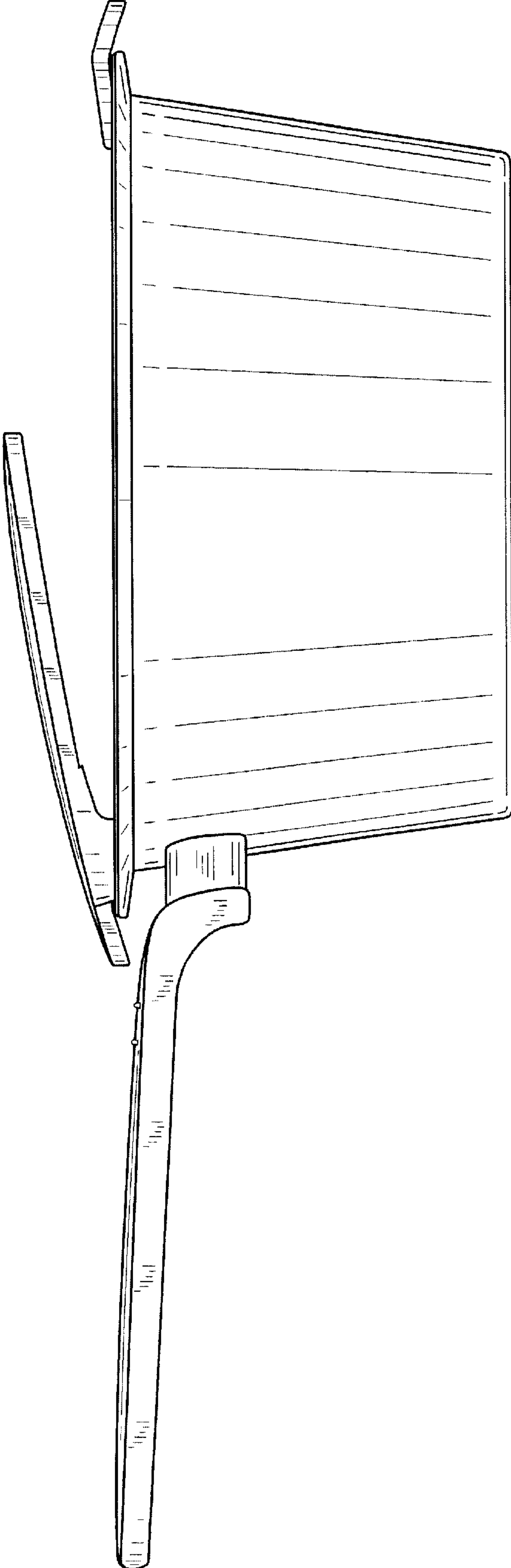


FIG. 2

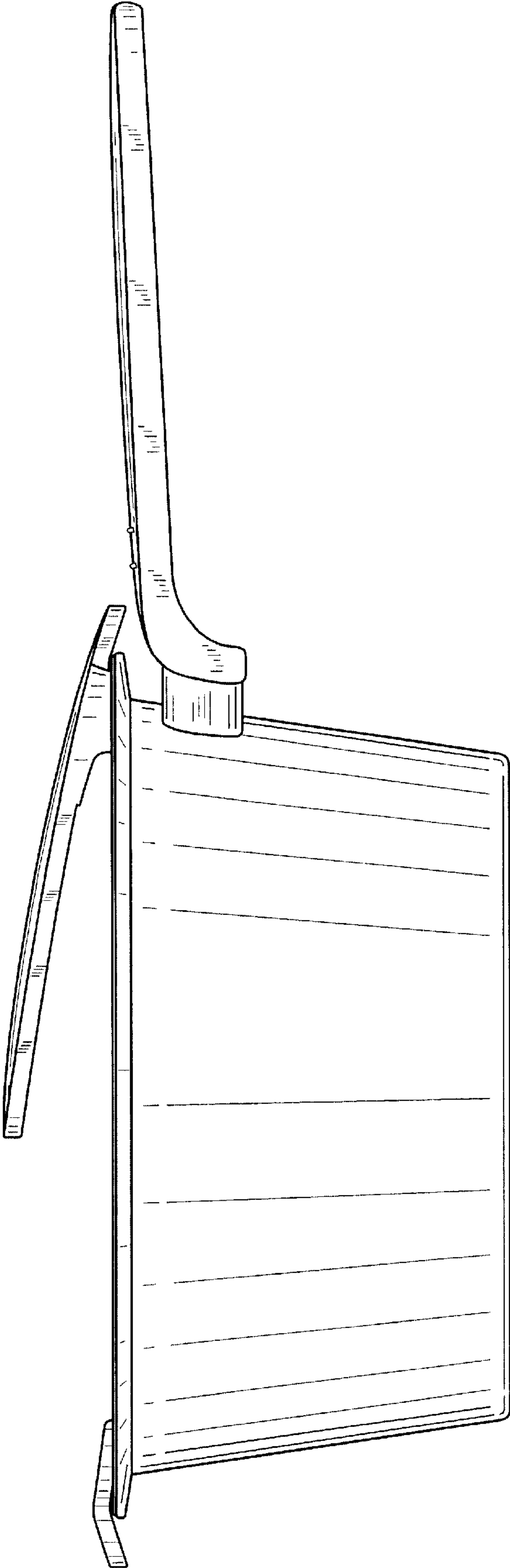


FIG. 3

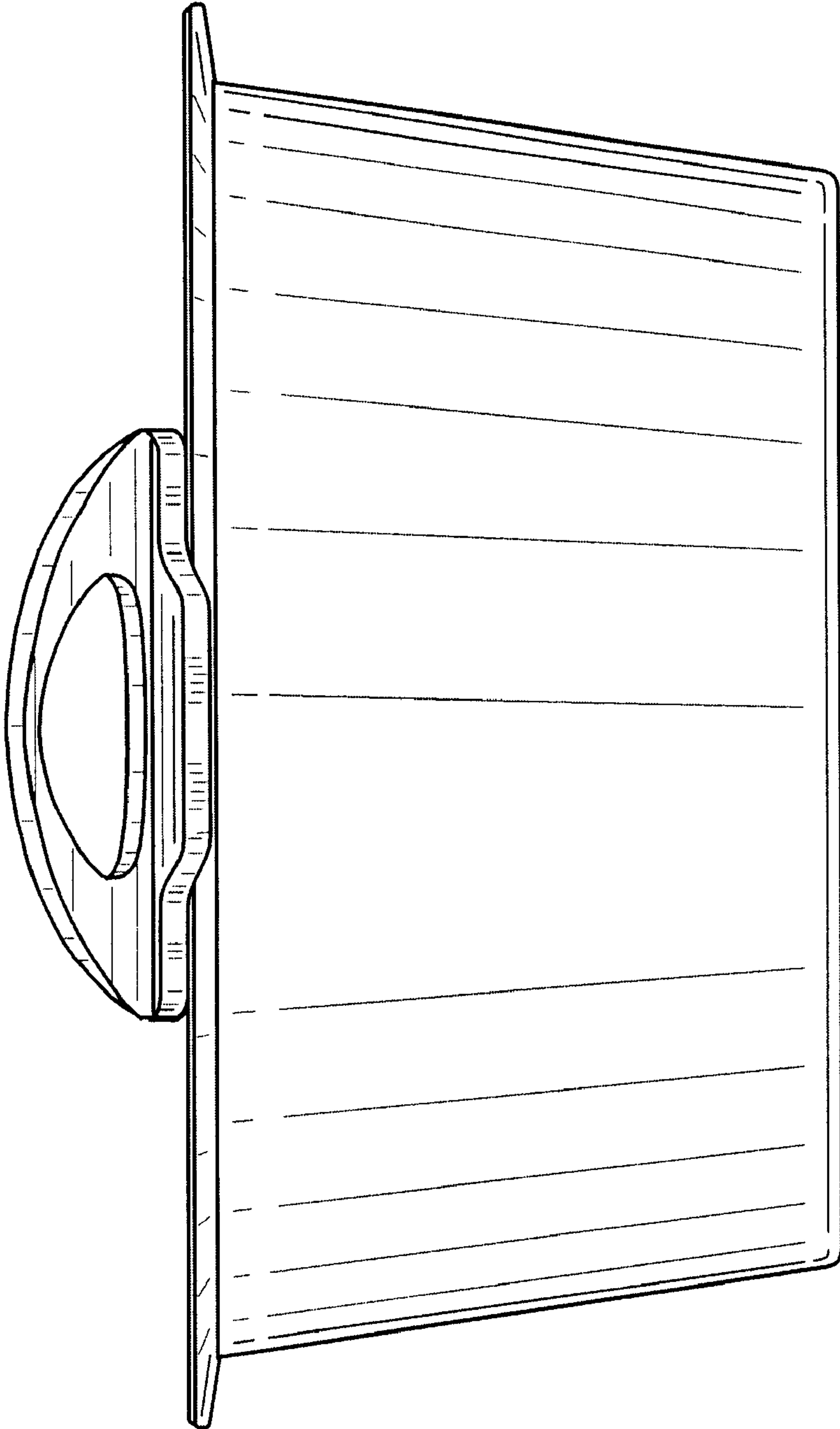


FIG. 4

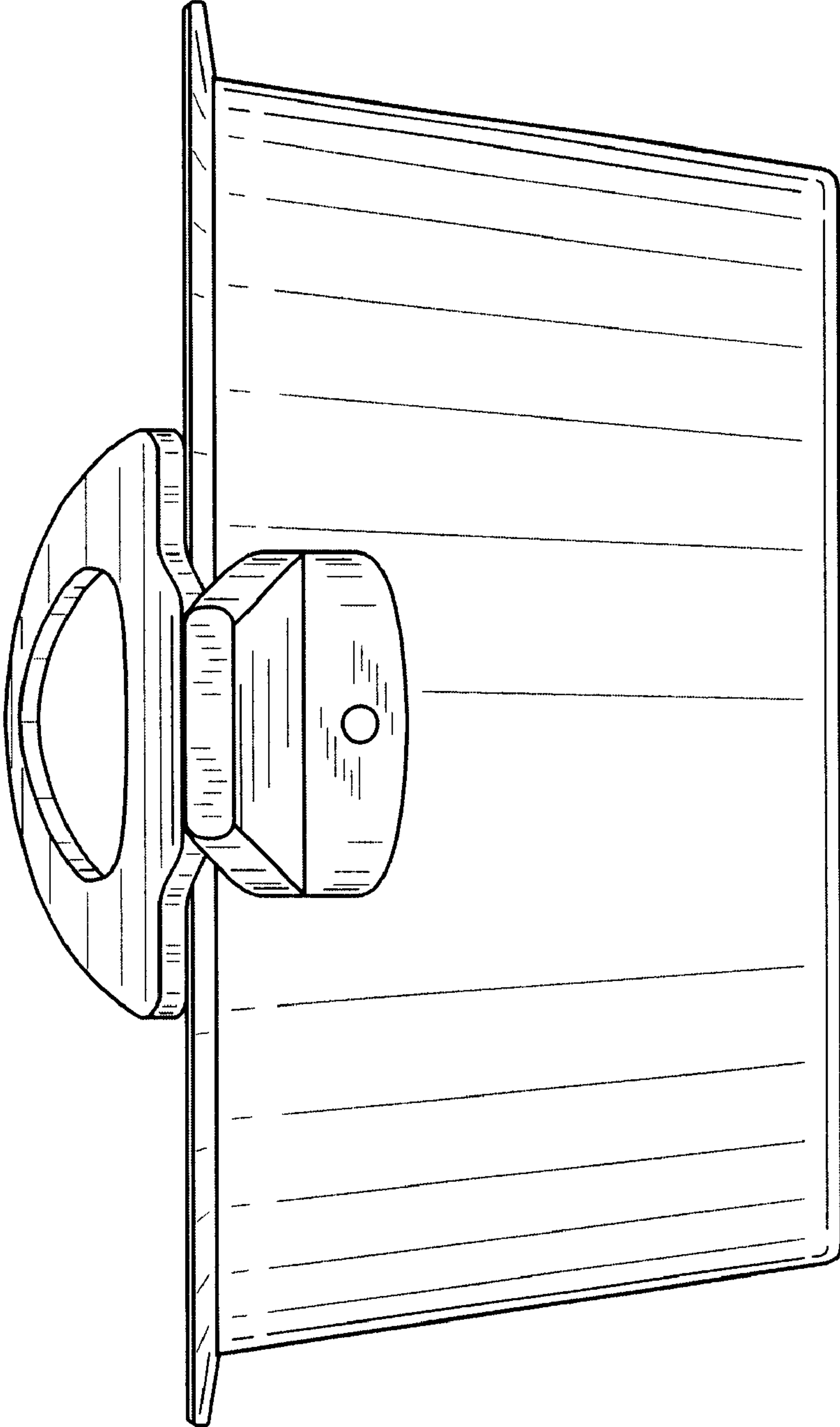


FIG. 5

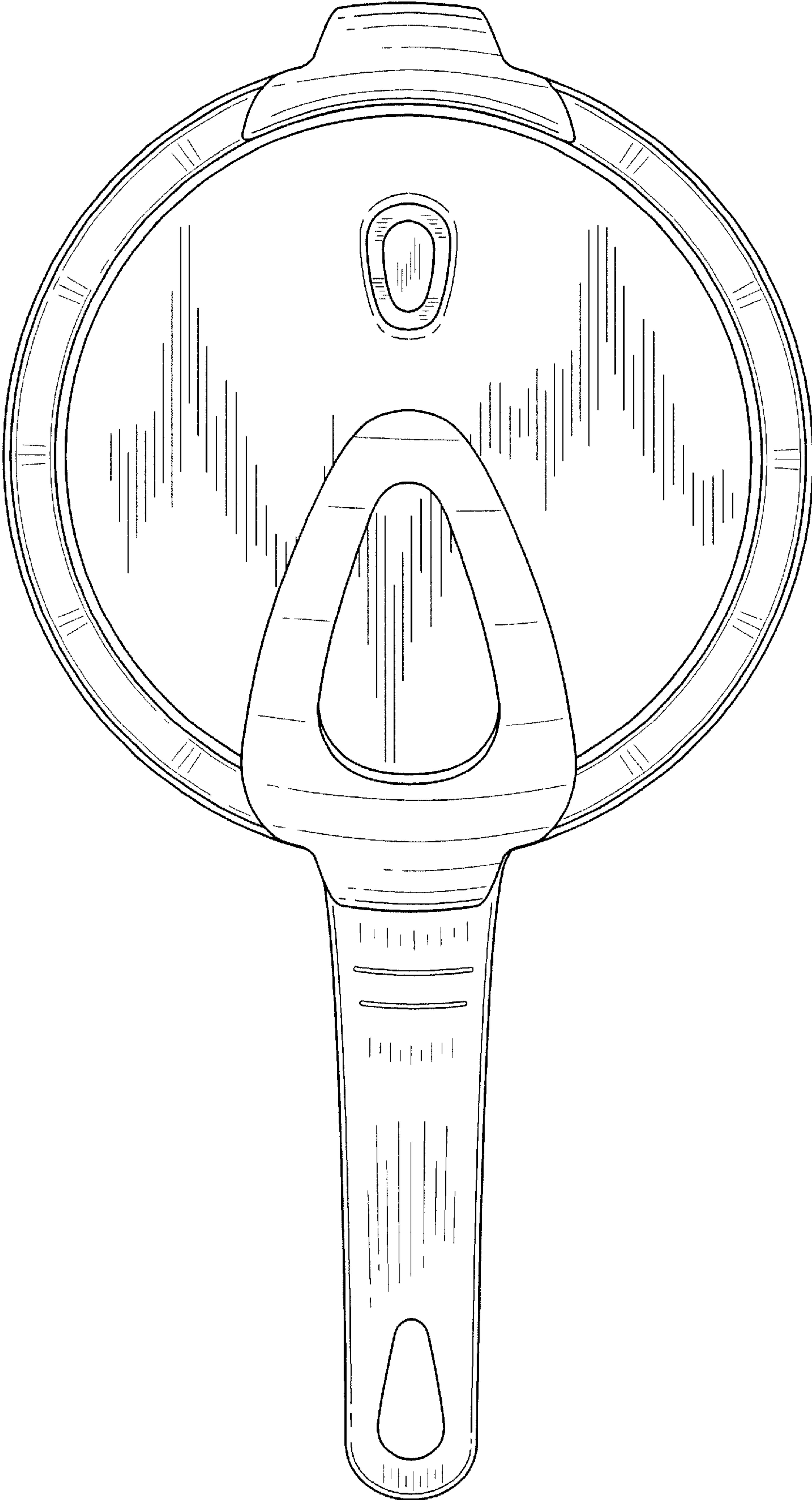


FIG. 6

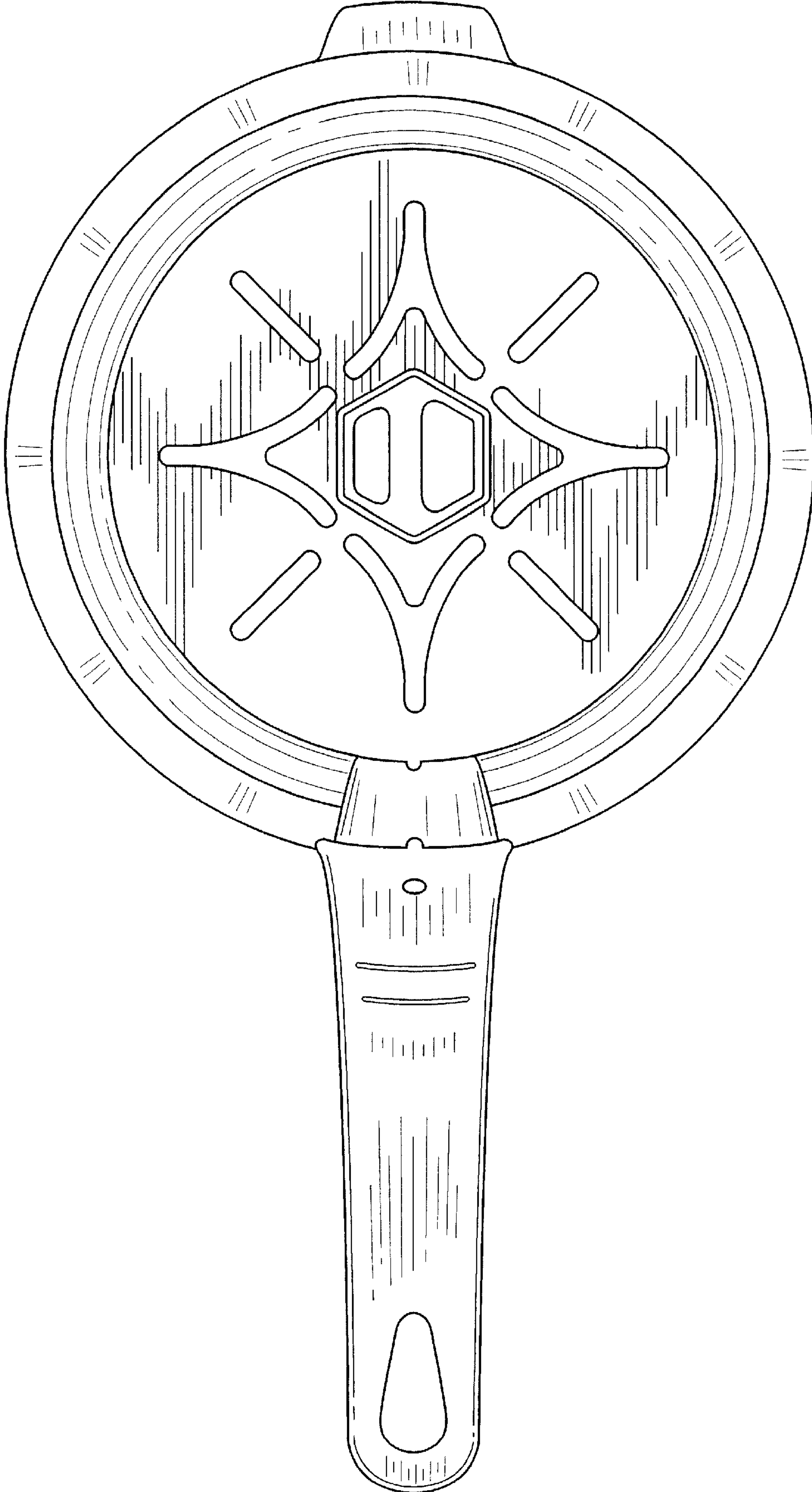


FIG. 7