

US00D521310S

(12) **United States Design Patent**
Lin

(10) **Patent No.:** **US D521,310 S**

(45) **Date of Patent:** **** May 23, 2006**

(54) **GRILLER**

(75) Inventor: **Fang-Chuan Lin**, Tainan (TW)

(73) Assignee: **Tsann Kuen Enterprise Co., Ltd.**,
Taipei (TW)

(**) Term: **14 Years**

(21) Appl. No.: **29/215,207**

(22) Filed: **Oct. 15, 2004**

(30) **Foreign Application Priority Data**

May 7, 2004 (TW) 93302653

(51) **LOC (8) Cl.** **07-02**

(52) **U.S. Cl.** **D7/352**

(58) **Field of Classification Search** D7/323,
D7/328-332, 334-339, 352-363; 99/425,
99/444, 466, 219, 618, 620, 601, 386, 385,
99/369, 331, 339, 349, 372, 389, 446, 6;
219/620-622; 222/33

See application file for complete search history.

(56) **References Cited**

U.S. PATENT DOCUMENTS

D367,994 S * 3/1996 Bloom et al. D7/352

D389,372 S * 1/1998 Saltet D7/352
D413,759 S * 9/1999 Carrere D7/352
D462,228 S * 9/2002 Wu D7/352
D493,663 S * 8/2004 Lin et al. D7/347
D494,407 S * 8/2004 Lin et al. D7/347
D502,630 S * 3/2005 Lubowicki D7/352

* cited by examiner

Primary Examiner—Caron D. Veynar

Assistant Examiner—Ricky Pham

(74) *Attorney, Agent, or Firm*—Ladas & Parry LLP

(57) **CLAIM**

The ornamental design for a griller, as shown.

DESCRIPTION

FIG. 1 is a perspective view of griller showing my new design;

FIG. 2 is a front elevational view thereof;

FIG. 3 is a rear elevational view thereof;

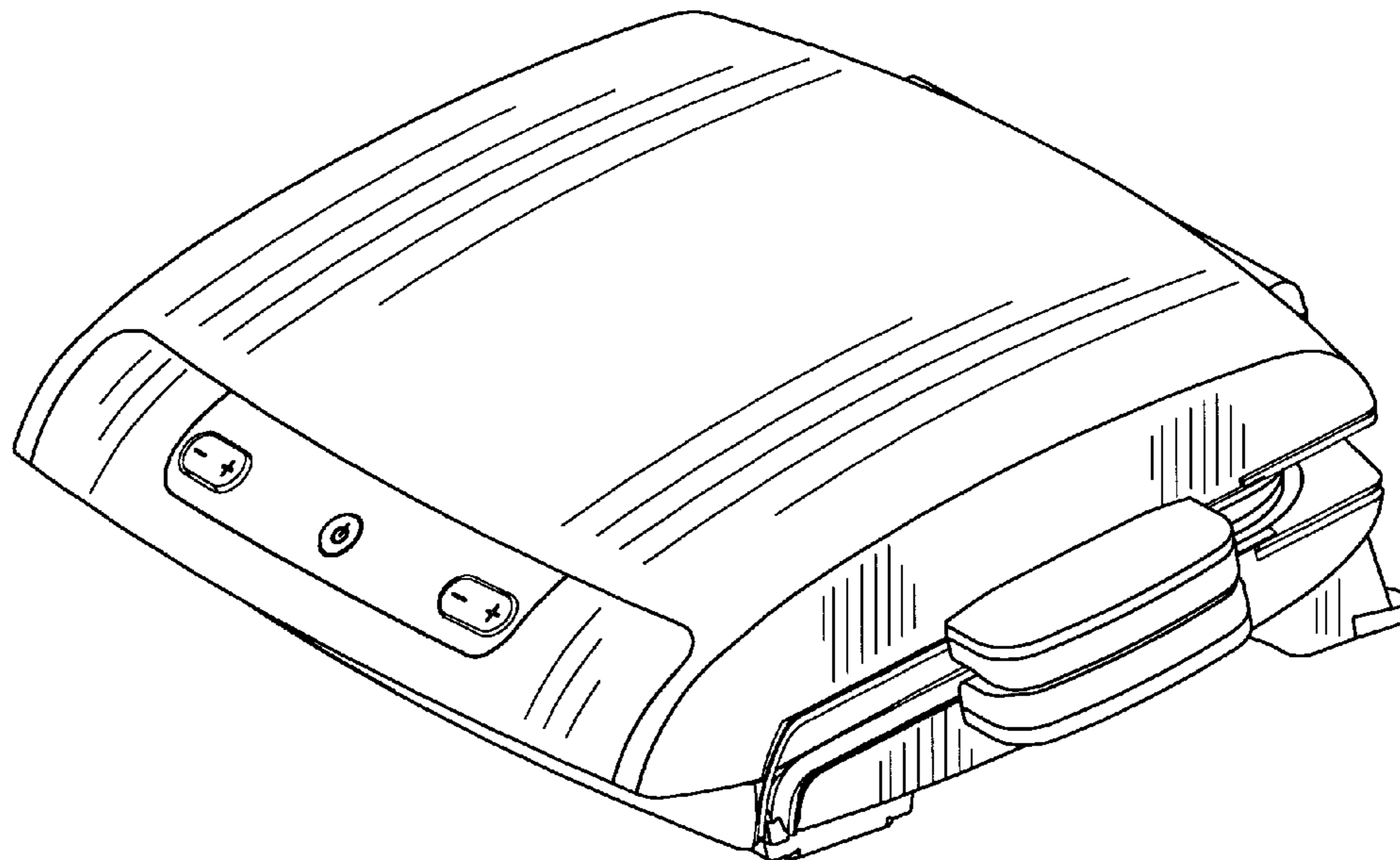
FIG. 4 is a left side elevational view thereof;

FIG. 5 is a right side elevational view thereof;

FIG. 6 is a top plan view thereof; and,

FIG. 7 is a bottom plan view thereof.

1 Claim, 5 Drawing Sheets



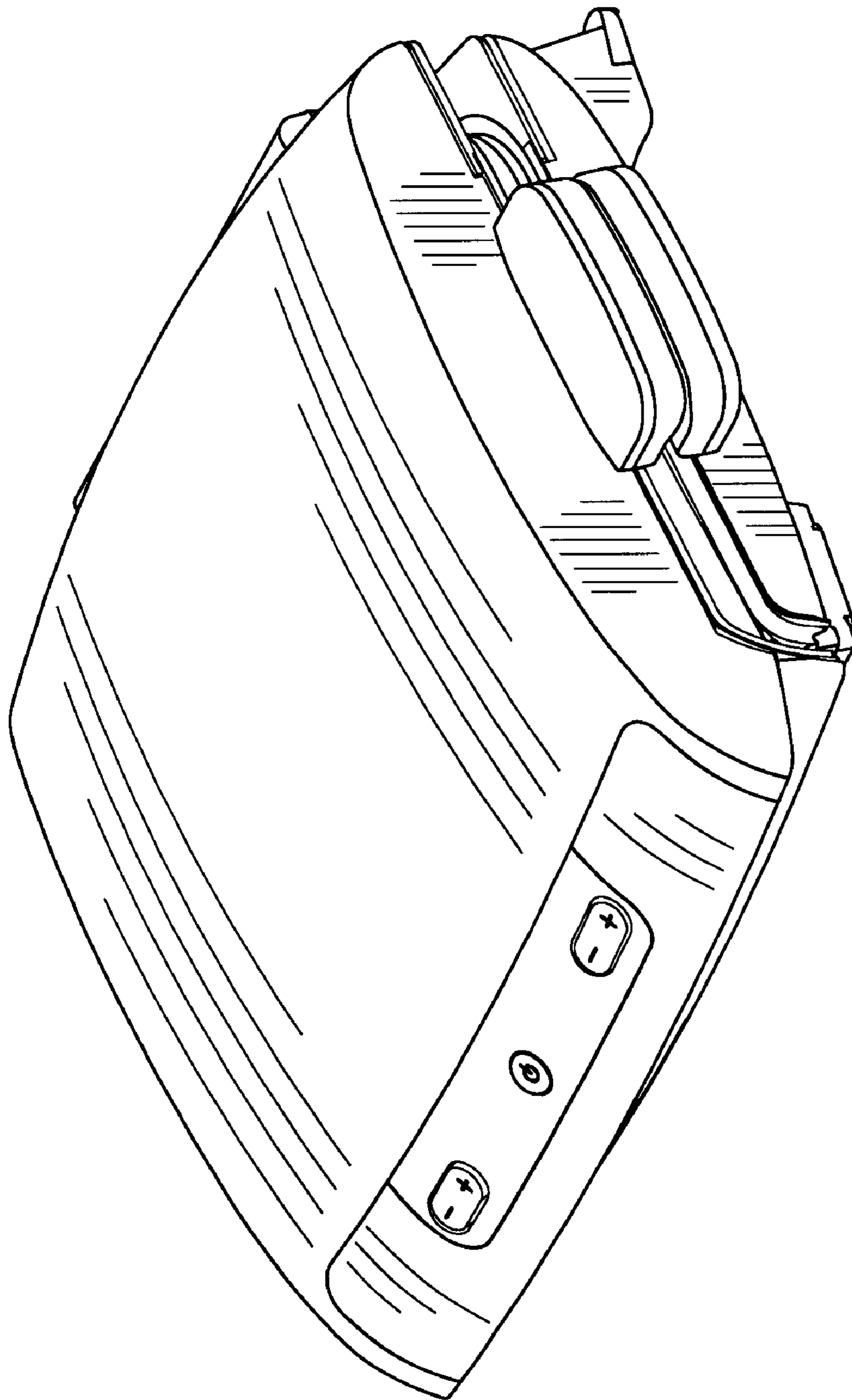


FIG. 1

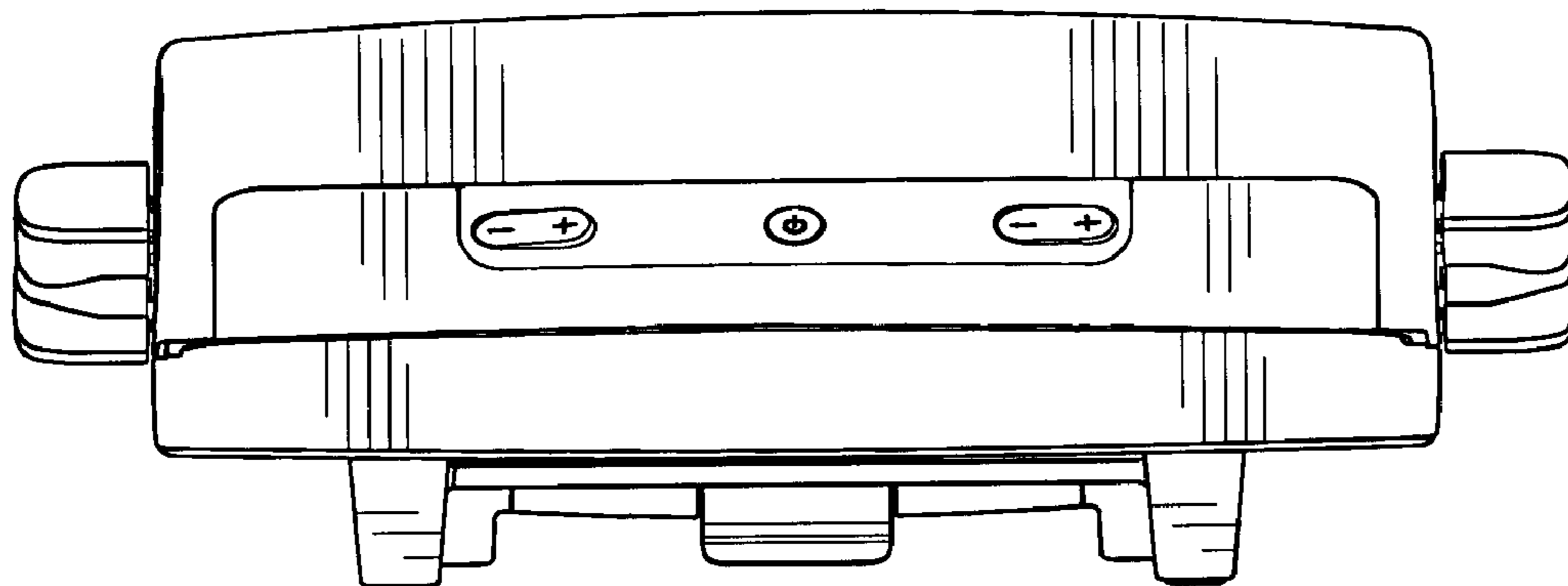


FIG. 2

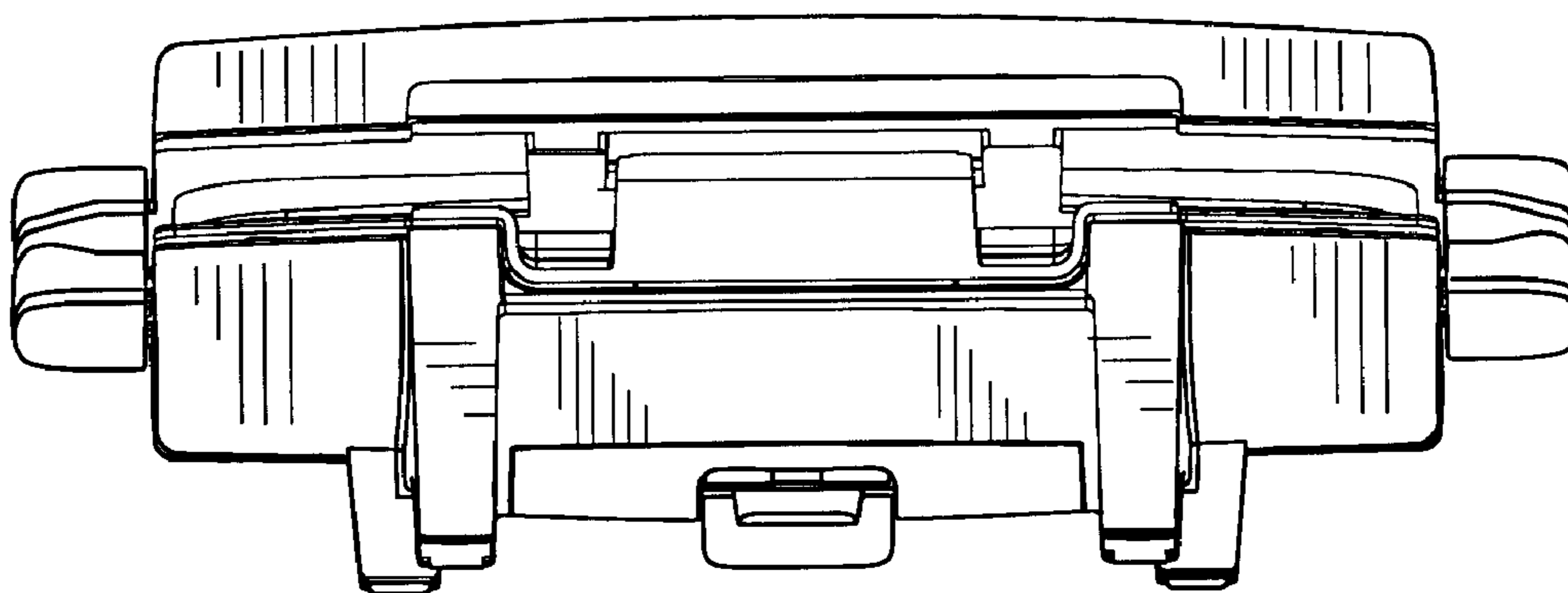


FIG. 3

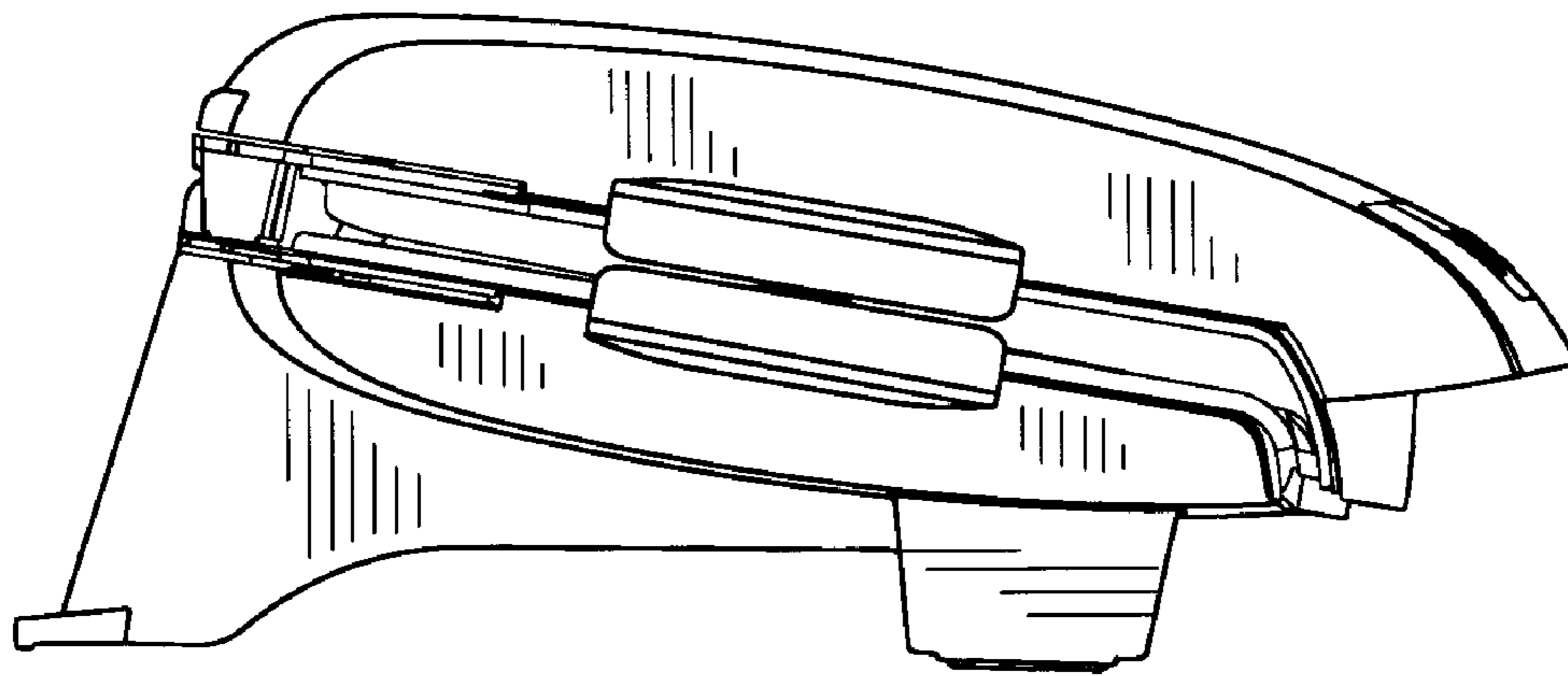


FIG. 4

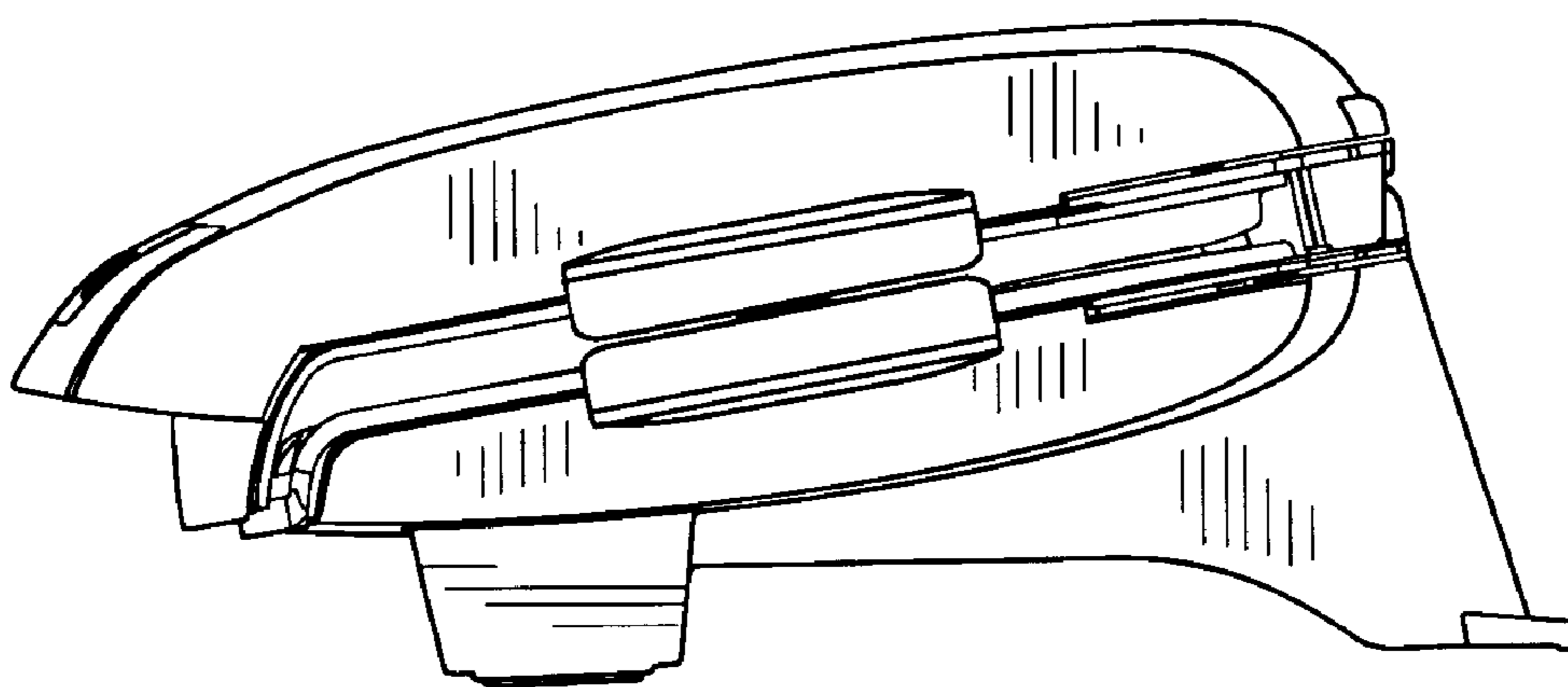


FIG. 5

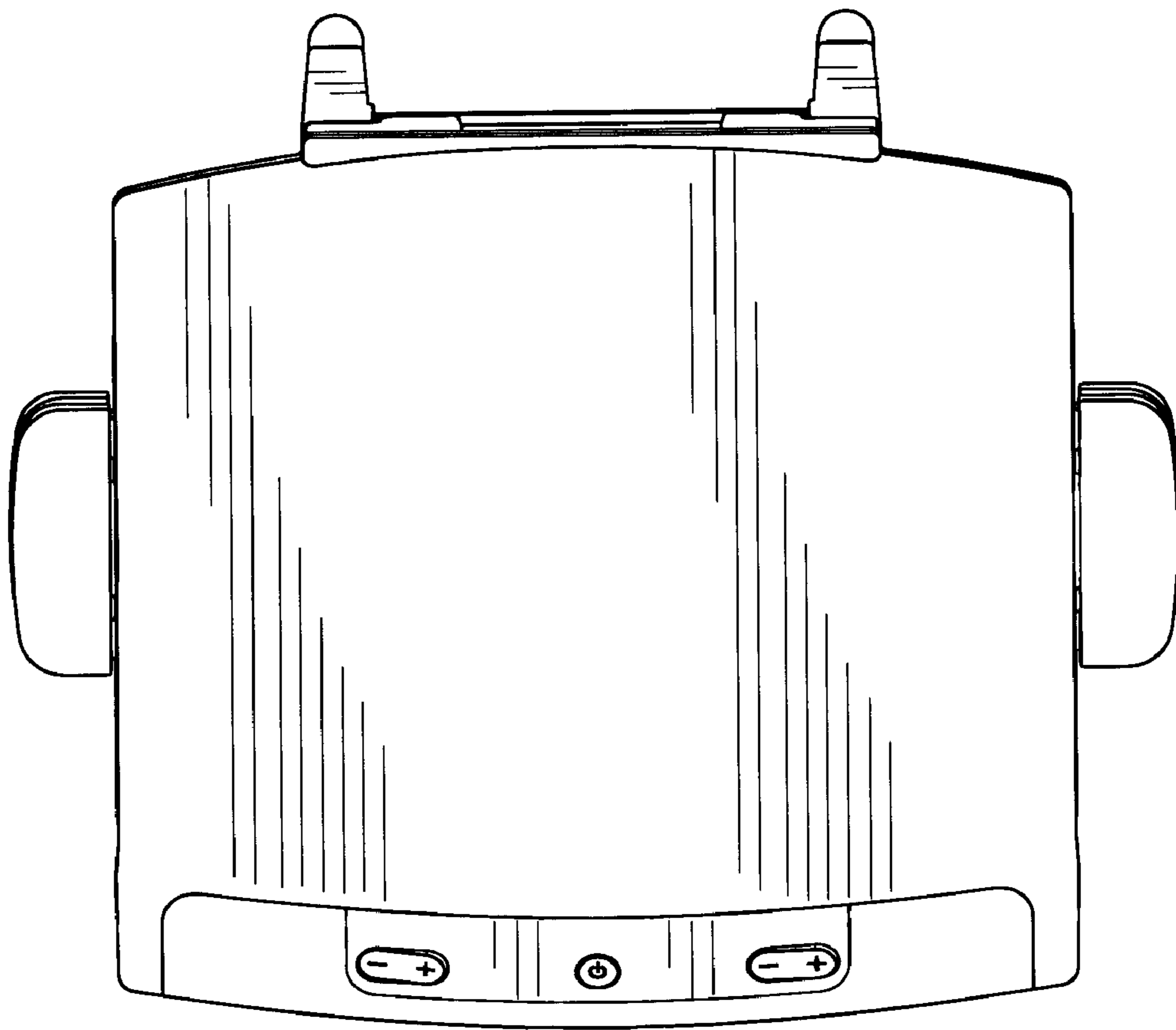


FIG. 6

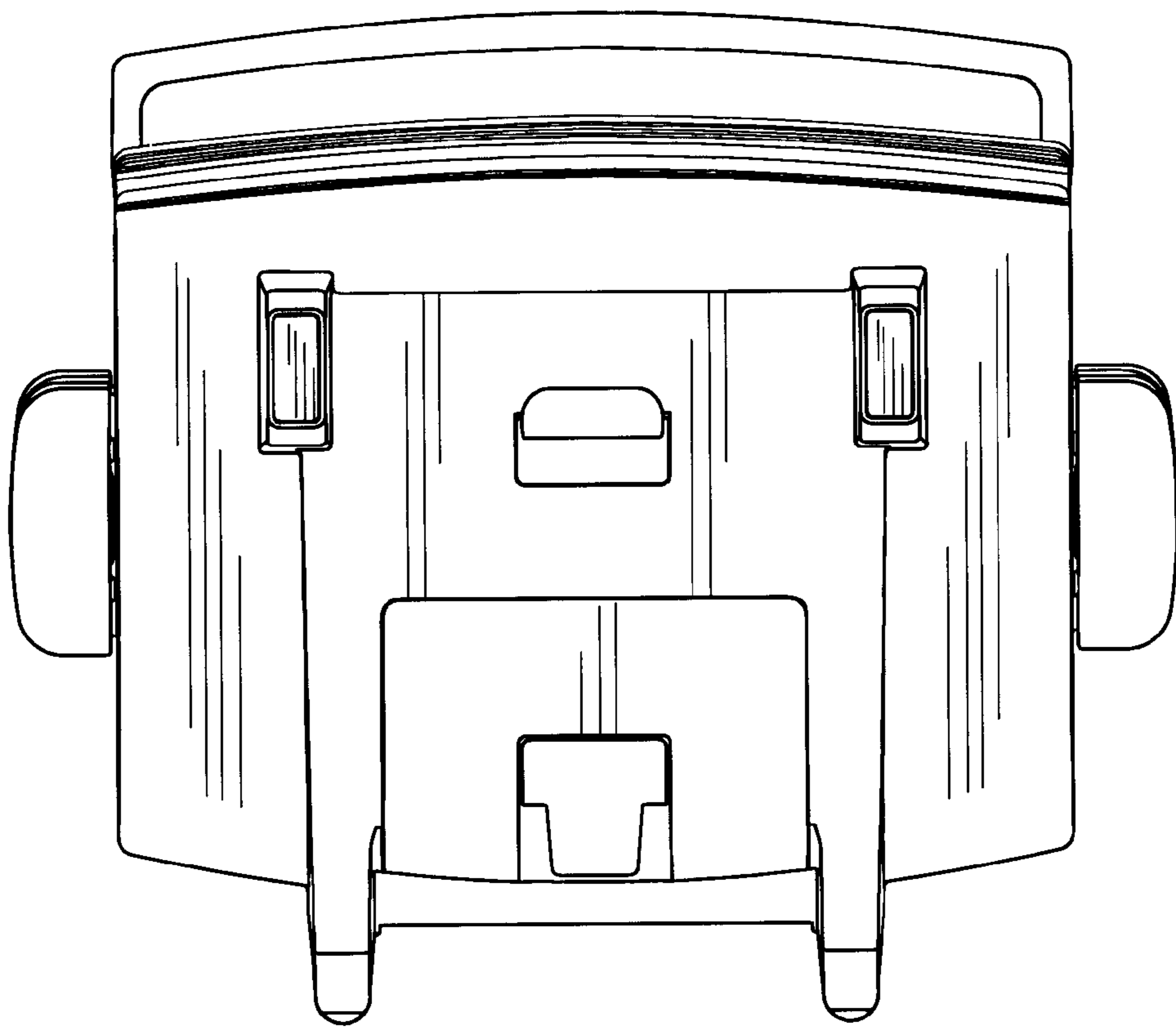


FIG. 7