



US00D521309S

(12) **United States Design Patent**  
**Carlini**

(10) **Patent No.:** **US D521,309 S**

(45) **Date of Patent:** **\*\* May 23, 2006**

(54) **OVEN**

(75) Inventor: **Mario Carlini**, Pezzan (IT)

(73) Assignee: **UNOX S.P.A.**, Vigodarzere (IT)

(\*\*) Term: **14 Years**

(21) Appl. No.: **29/228,316**

(22) Filed: **Apr. 22, 2005**

(30) **Foreign Application Priority Data**

Nov. 5, 2004 (EM) ..... 000249636

(51) **LOC (8) Cl.** ..... **07-02**

(52) **U.S. Cl.** ..... **D7/350.1**

(58) **Field of Classification Search** ..... D7/350.1,  
D7/350.2, 350.3, 350.4, 351, 402-403, 405-406;  
126/19 M, 275 E, 273 A; 219/756-758, 391,  
219/402, 393; 99/DIG. 14  
See application file for complete search history.

(56) **References Cited**

**U.S. PATENT DOCUMENTS**

- D310,616 S \* 9/1990 Murai et al. .... D7/351
- D431,957 S \* 10/2000 Taira ..... D7/351
- D433,268 S \* 11/2000 Taira ..... D7/351
- D433,269 S \* 11/2000 Taira ..... D7/351

- D436,285 S \* 1/2001 Taira ..... D7/351
- D442,018 S \* 5/2001 Kusachi et al. .... D7/351
- D460,659 S \* 7/2002 Hessen et al. .... D7/351
- D461,365 S \* 8/2002 Hessen et al. .... D7/405
- D463,198 S \* 9/2002 Nishikawa ..... D7/351
- D463,199 S \* 9/2002 Choi ..... D7/351
- D463,212 S \* 9/2002 Hwang ..... D7/402
- D485,117 S \* 1/2004 Bengtson ..... D7/351

\* cited by examiner

*Primary Examiner*—Ruth McInroy

(74) *Attorney, Agent, or Firm*—Modiano & Associati;  
Albert Josif; Daniel O’Byrne

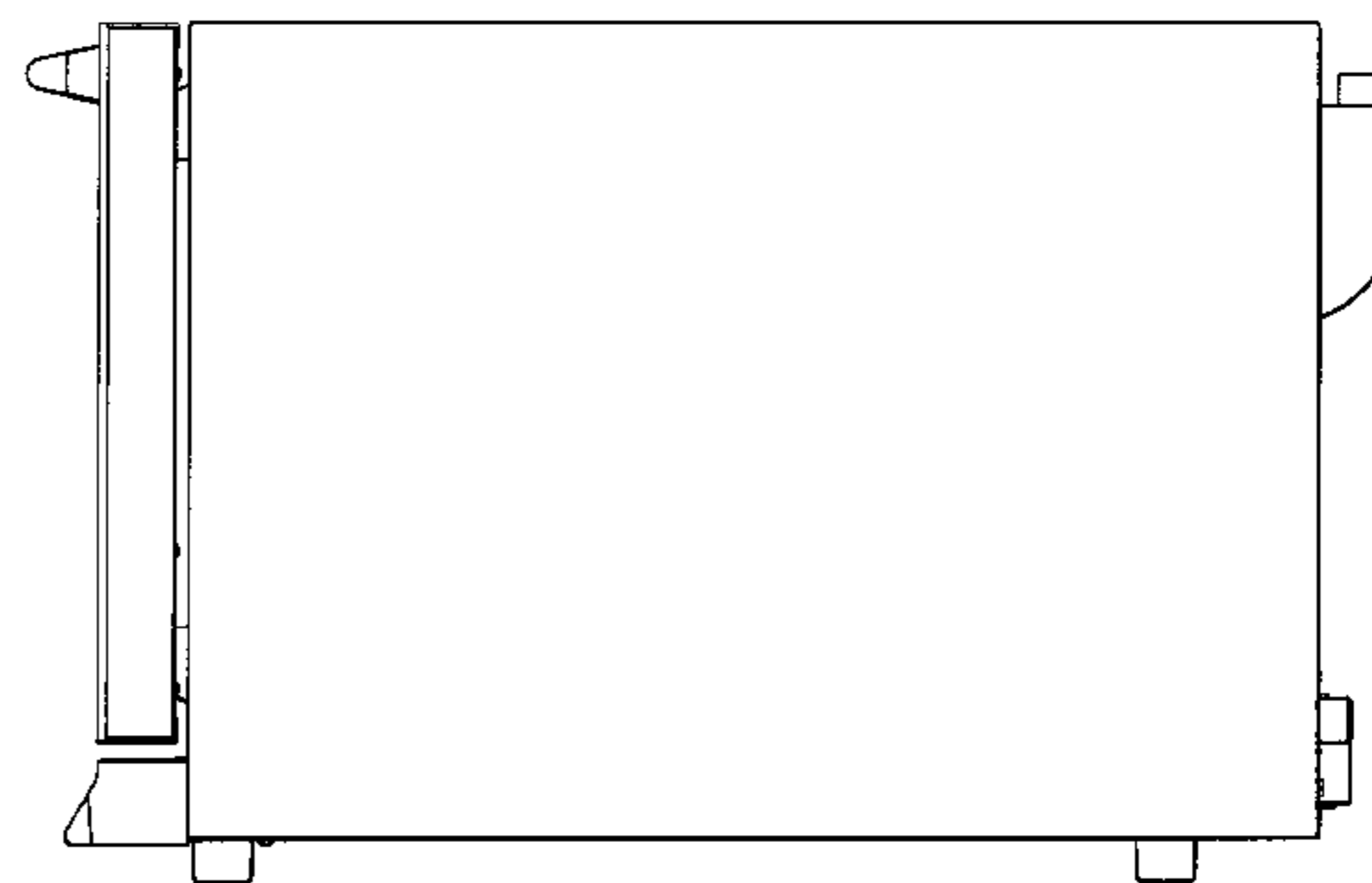
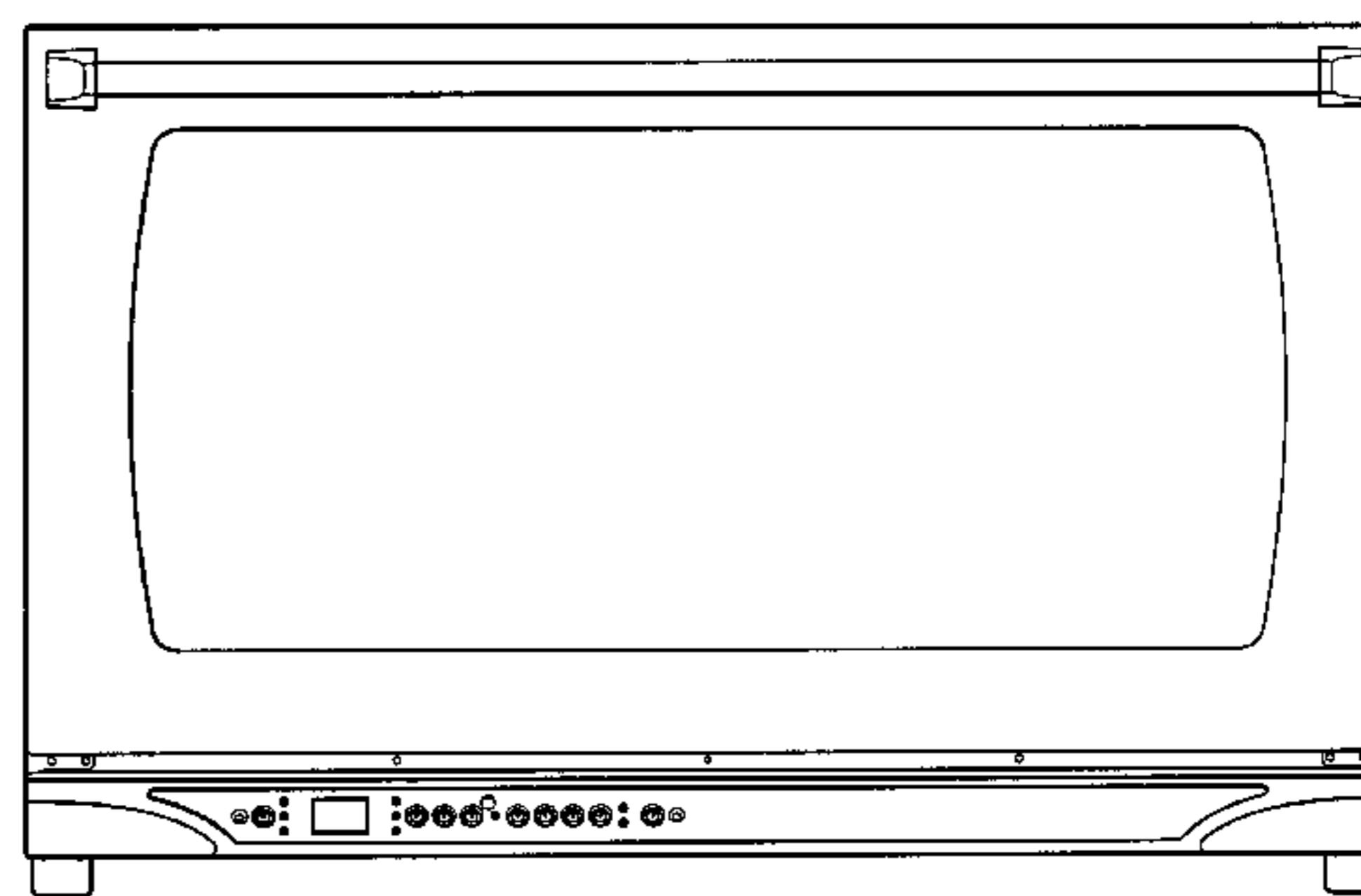
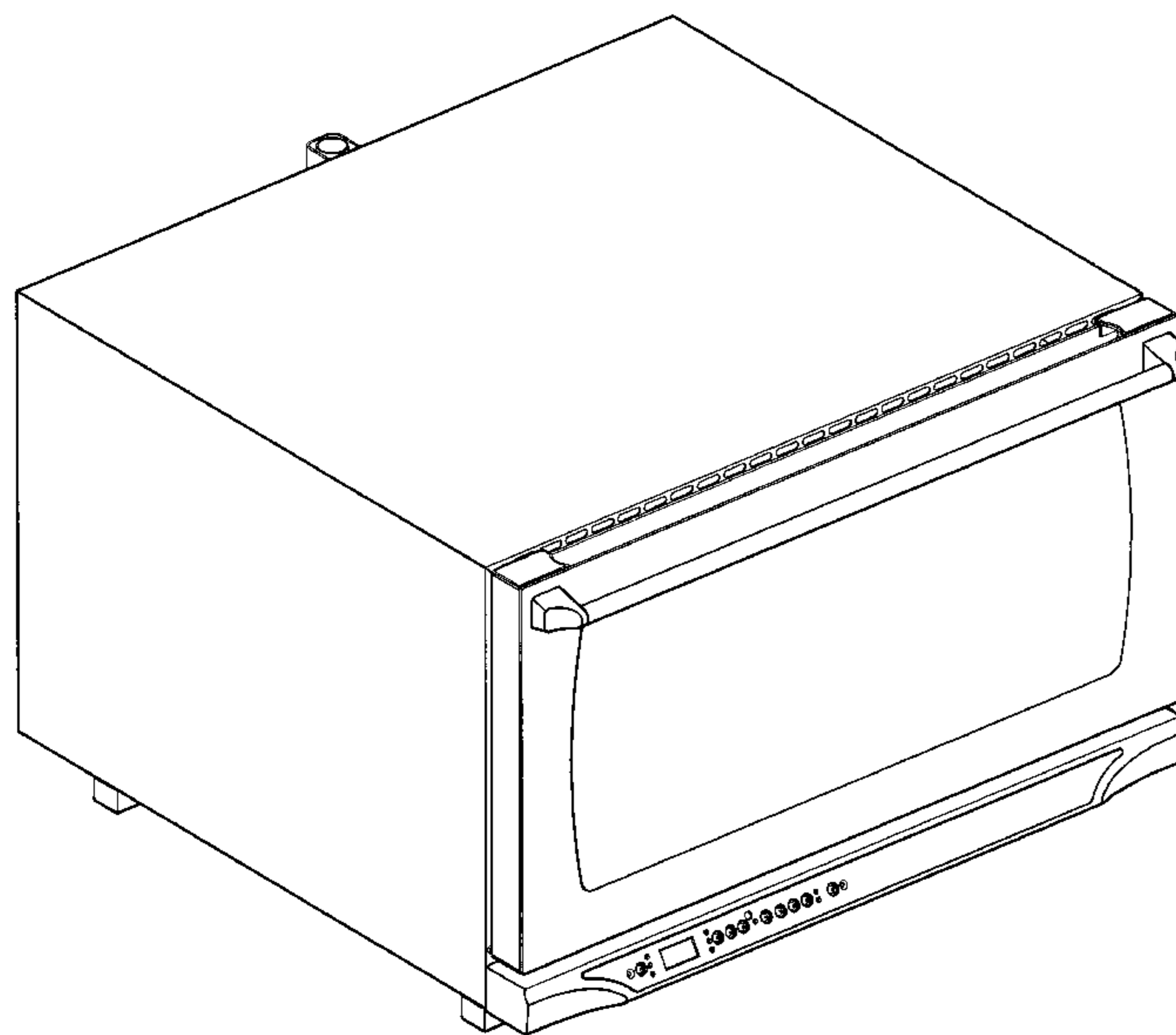
(57) **CLAIM**

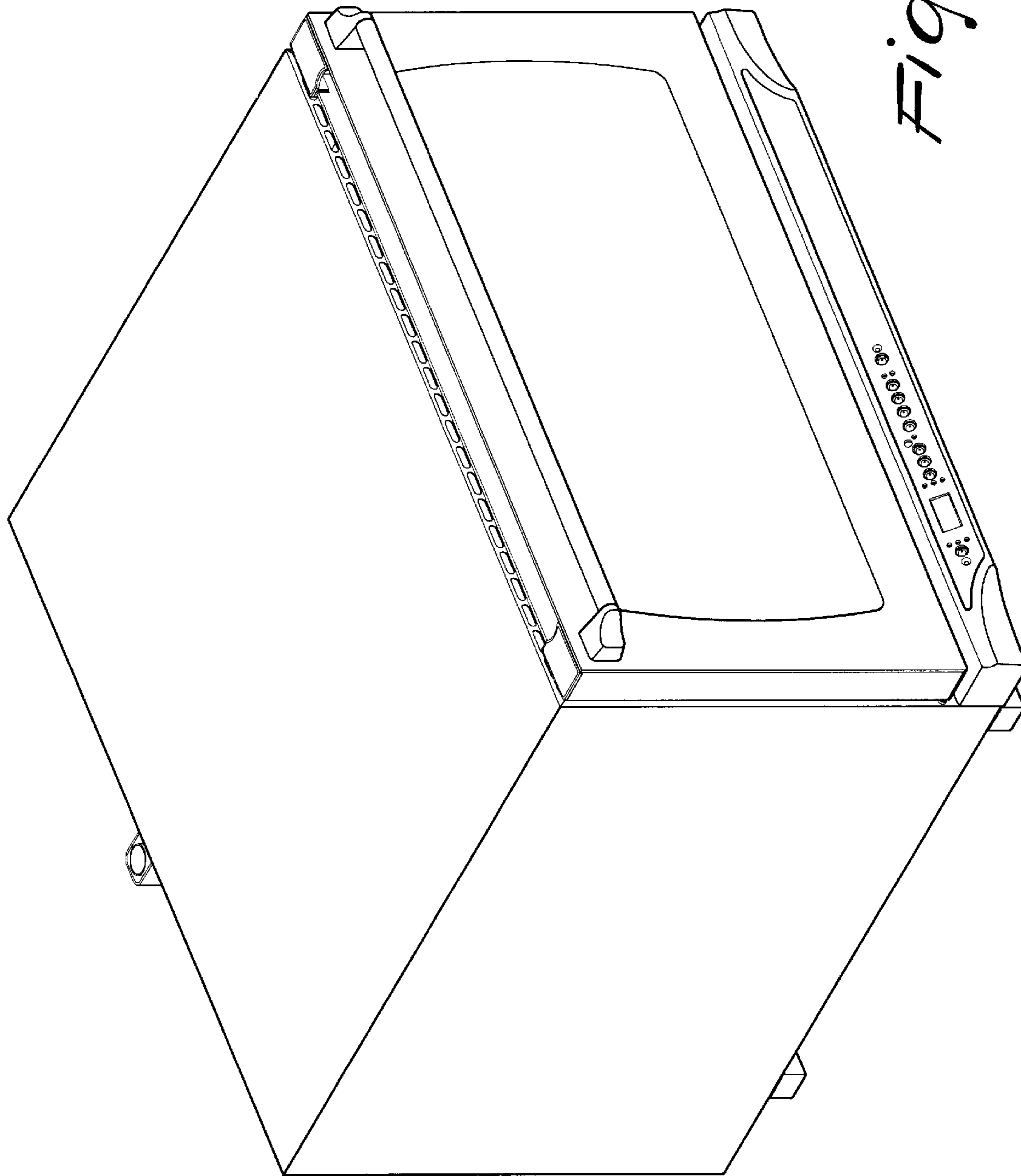
The ornamental design for “oven,” as shown and described.

**DESCRIPTION**

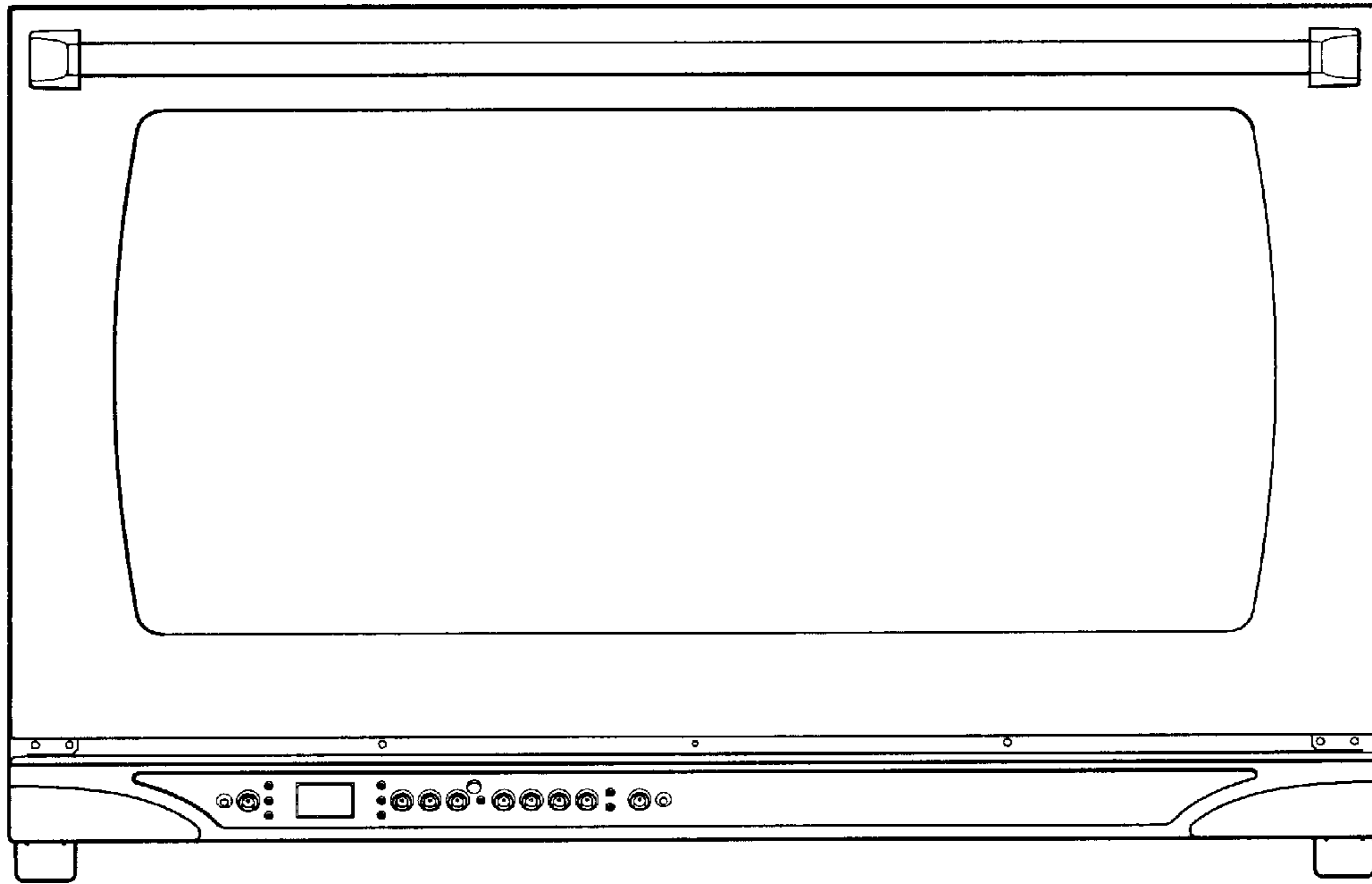
FIG. 1 is a perspective view, showing my new design;  
FIG. 2 is a front view thereof;  
FIG. 3 is a rear view thereof;  
FIG. 4 is a right side view thereof;  
FIG. 5 is a left side view thereof;  
FIG. 6 is a plan view from above thereof;  
FIG. 7 is a plan view from below thereof; and,  
FIG. 8 is a perspective view thereof with the front door open.

**1 Claim, 6 Drawing Sheets**

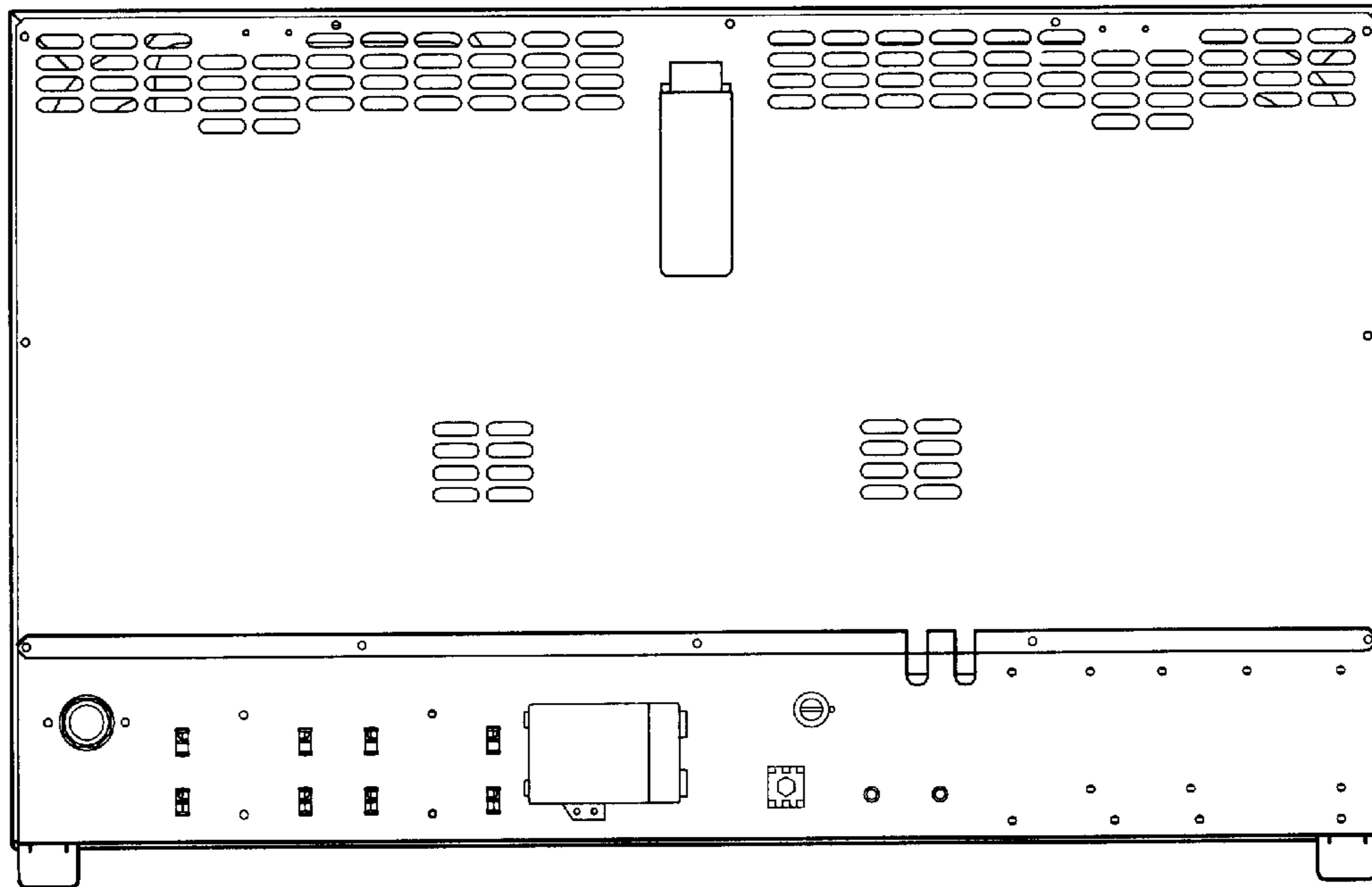




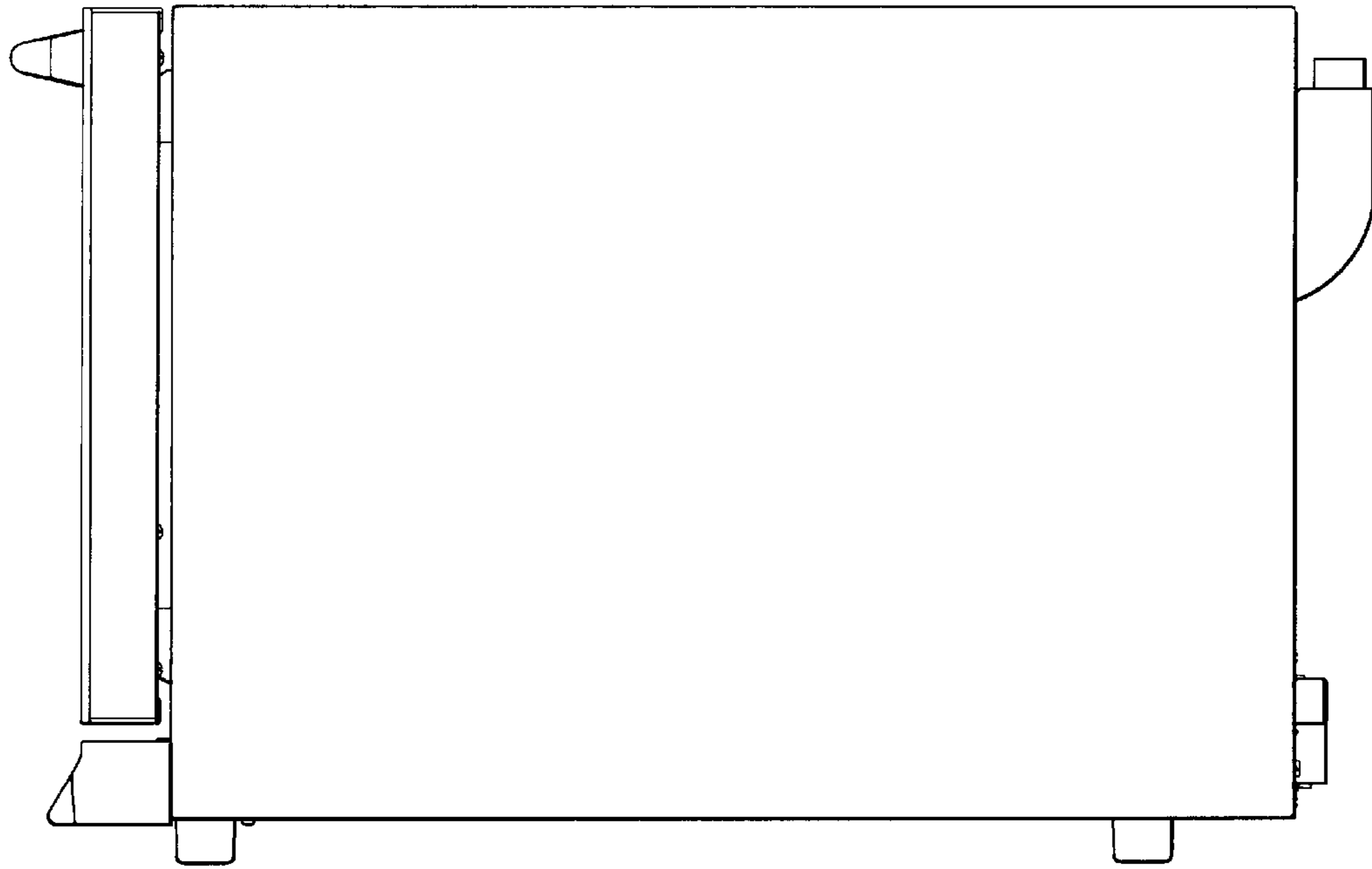
*Fig. 1*



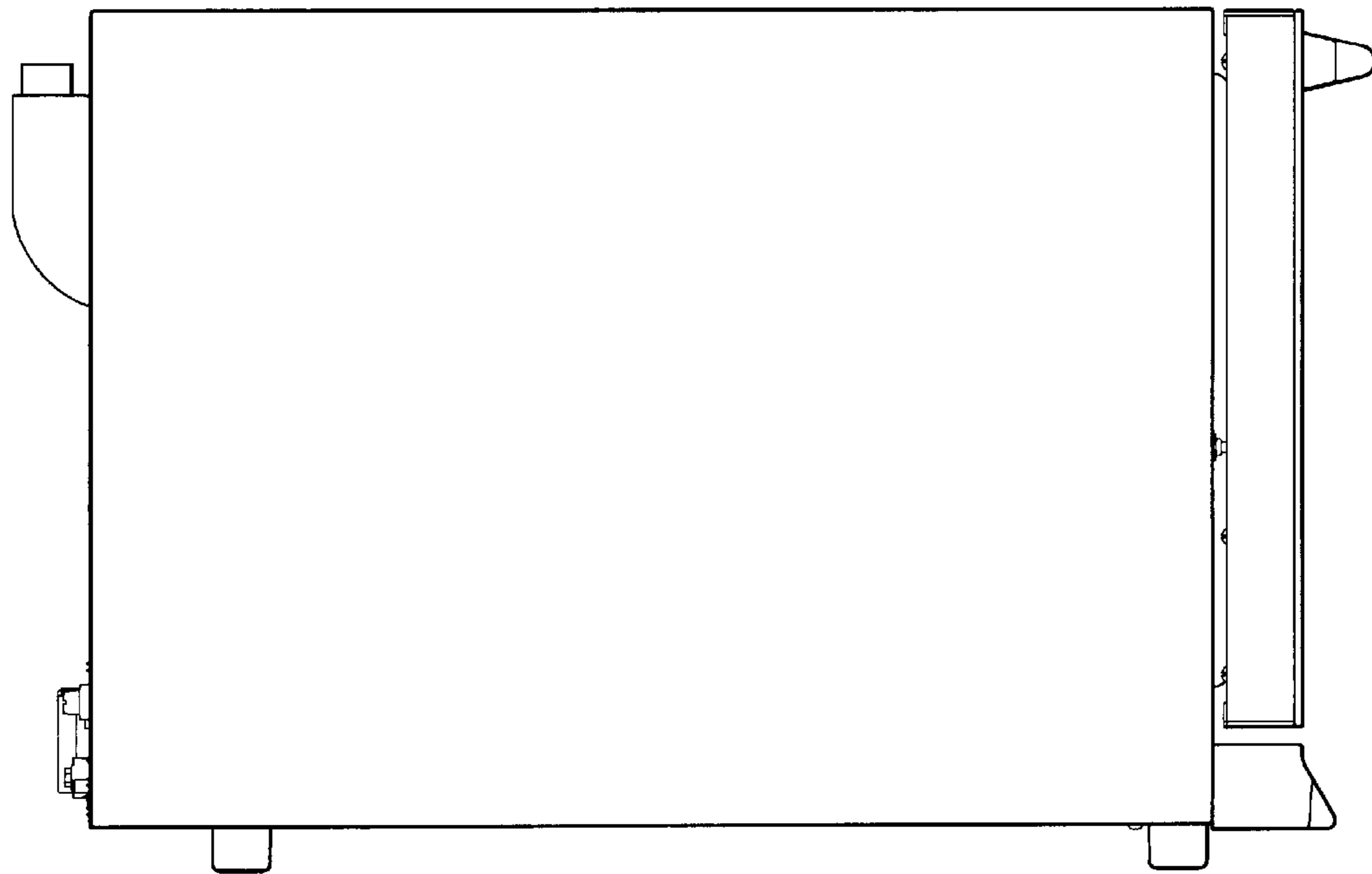
*Fig. 2*



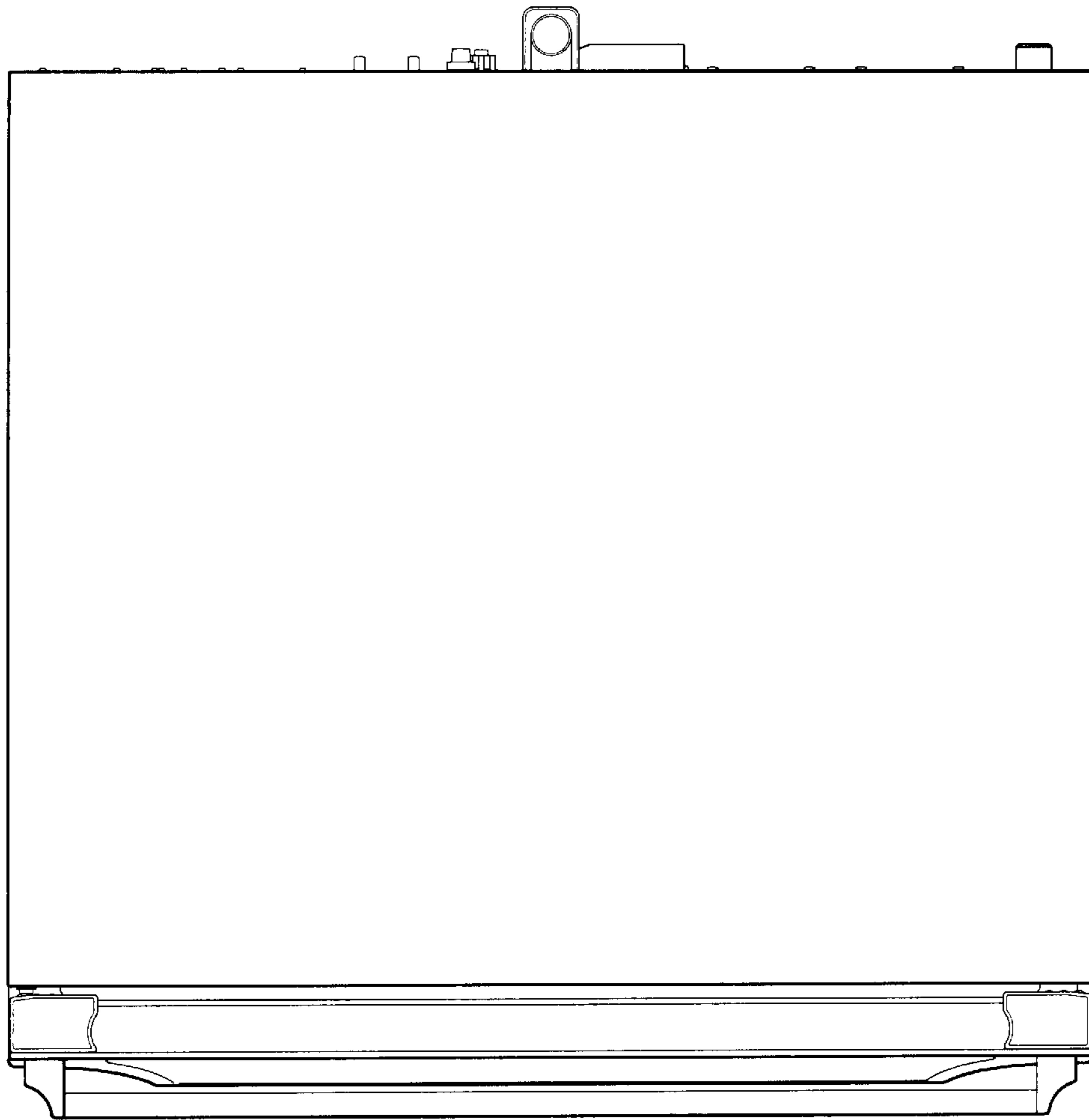
*Fig. 3*



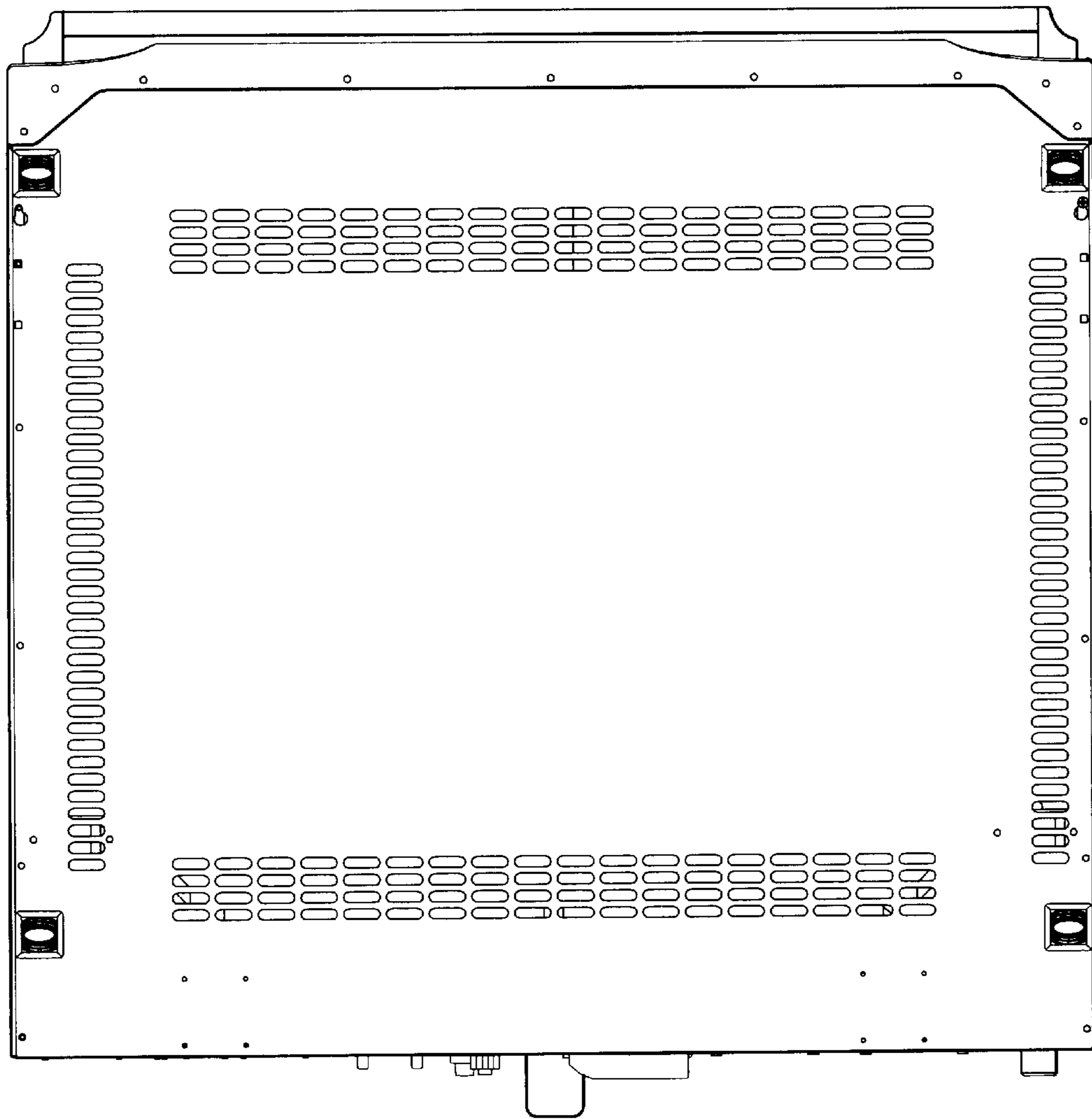
*Fig. 4*



*Fig. 5*



*Fig. 6*



*Fig. 7*

