

US00D521308S

(12) **United States Design Patent**
Tseng

(10) **Patent No.:** **US D521,308 S**

(45) **Date of Patent:** **** May 23, 2006**

(54) **BARBECUE GRILL**

(75) Inventor: **Jackie Tseng**, Chia Yi (TW)

(73) Assignee: **Sing Chen International Co., Ltd.**,
Chia Yi (TW)

(**) Term: **14 Years**

(21) Appl. No.: **29/218,152**

(22) Filed: **Nov. 30, 2004**

(51) **LOC (8) Cl.** **07-02**

(52) **U.S. Cl.** **D7/334**

(58) **Field of Classification Search** D7/332-337,
D7/402-405, 362-363, 365, 367; 126/19.5,
126/25 R, 25 A, 25 AA, 29-30, 9 R, 9 A,
126/9 B, 38, 37, 40, 268, 276, 305, 312,
126/41 R, 77; D6/419, 498; D12/101-106;
D15/27; D21/712, 549-550; 99/339, 419
See application file for complete search history.

(56) **References Cited**

U.S. PATENT DOCUMENTS

D454,276 S * 3/2002 Pai D7/334
D461,359 S * 8/2002 Coleman et al. D7/334

D466,756 S * 12/2002 Bossler et al. D7/334
D470,357 S * 2/2003 Home D7/334
D471,057 S * 3/2003 Chung D7/334
D476,188 S * 6/2003 Wood D7/334
D497,280 S * 10/2004 Pai D7/334
D503,065 S * 3/2005 Pai D7/334

* cited by examiner

Primary Examiner—Ruth McInroy

(74) *Attorney, Agent, or Firm*—Fitzpatrick, Cella, Harper & Scinto

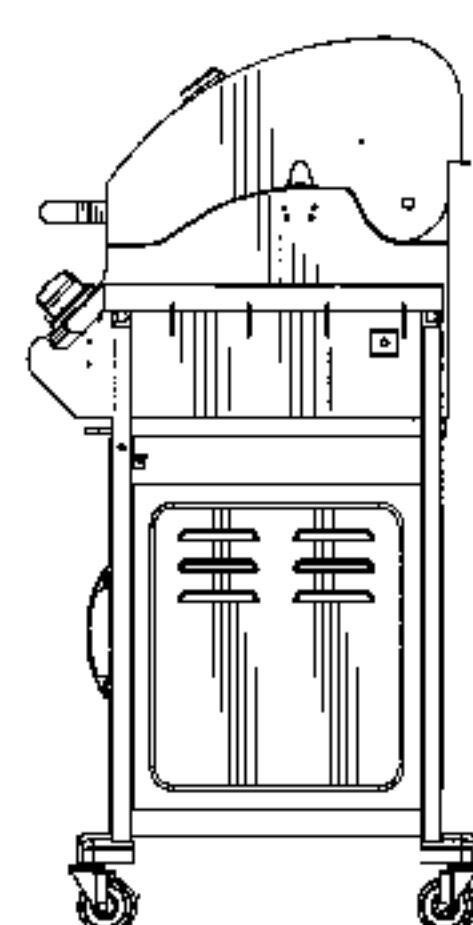
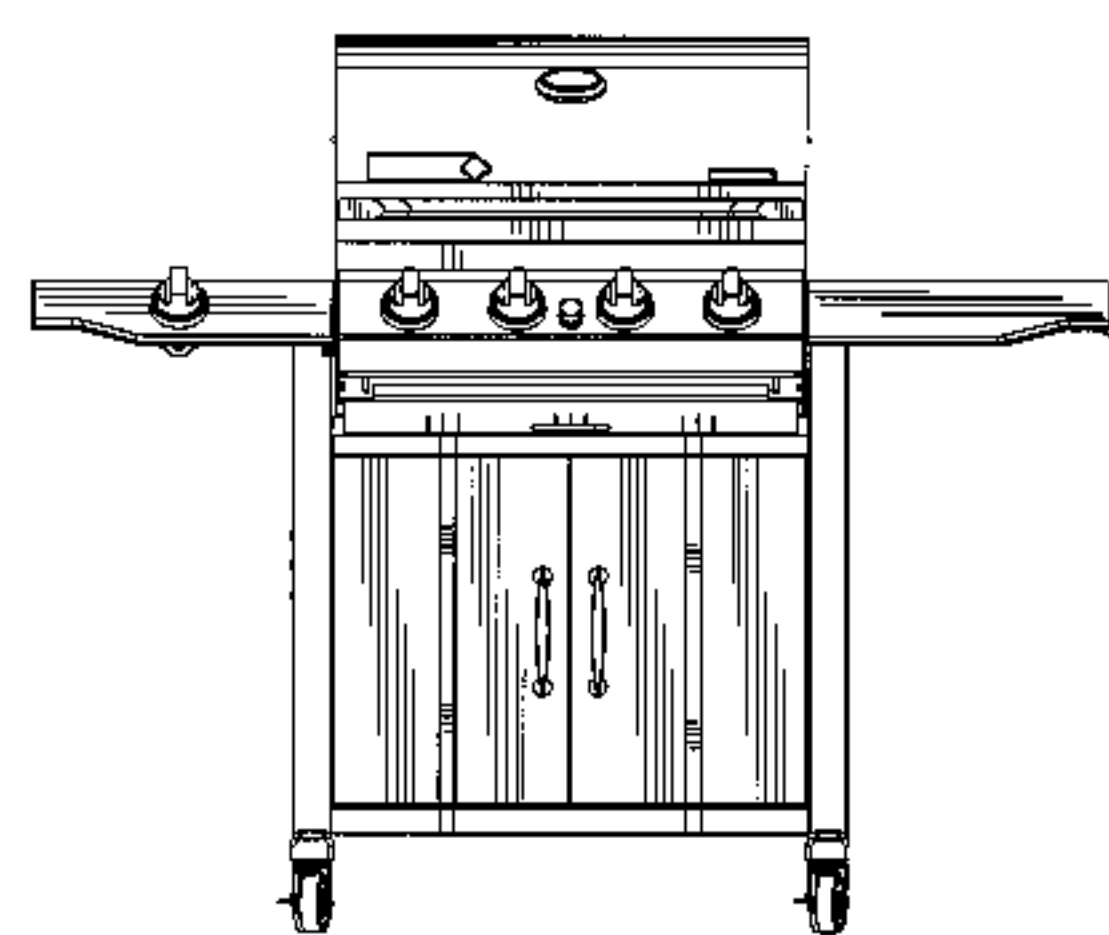
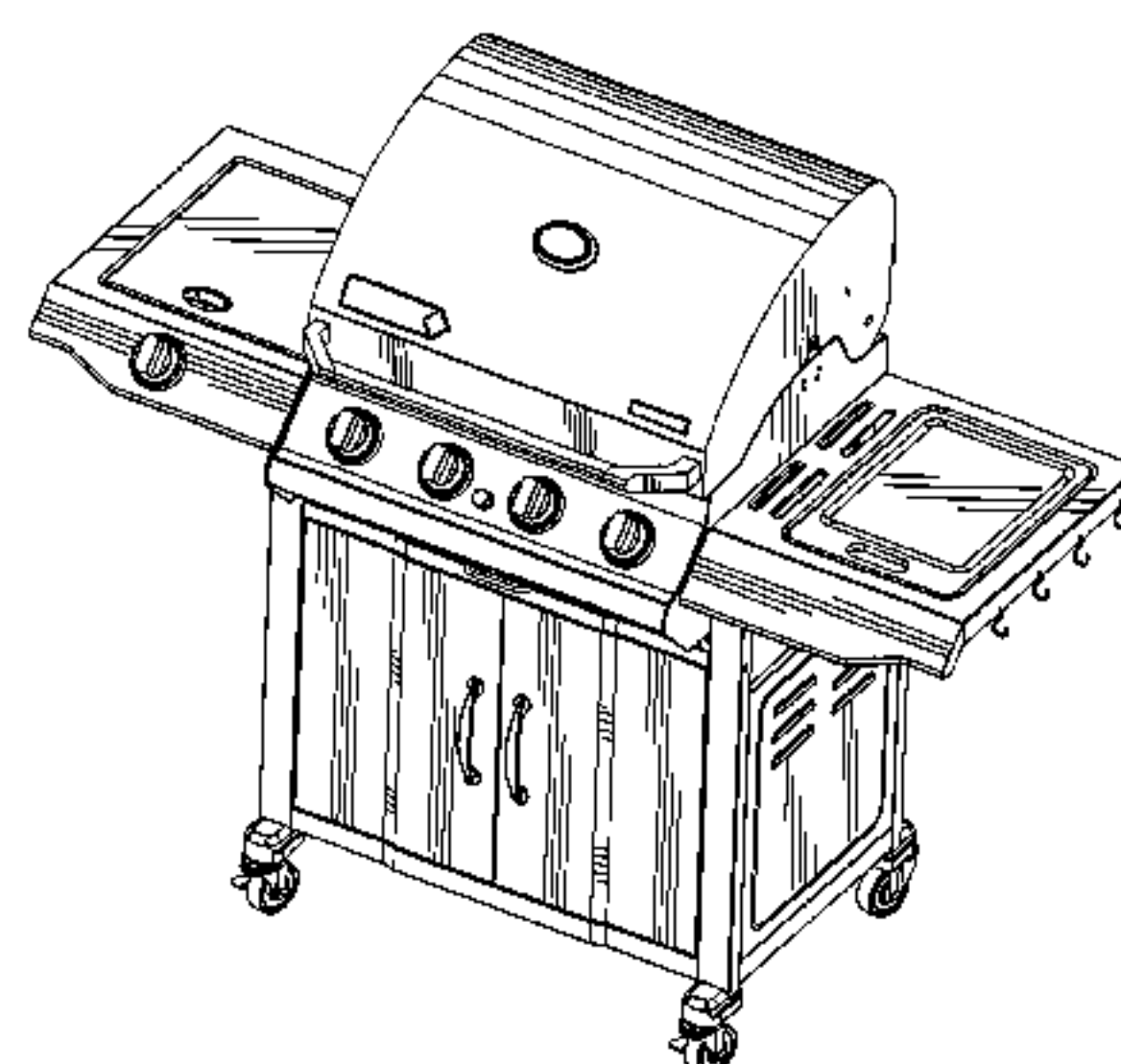
(57) **CLAIM**

The ornamental design for a barbecue grill, as shown and described.

DESCRIPTION

FIG. 1 is a perspective view of a barbecue grill showing my new design;
FIG. 2 is a front elevational view thereof;
FIG. 3 is a rear elevational view thereof;
FIG. 4 is a left side elevational view thereof;
FIG. 5 is a right side elevational view thereof;
FIG. 6 is a top plan view thereof; and,
FIG. 7 is a bottom plan view thereof.

1 Claim, 6 Drawing Sheets



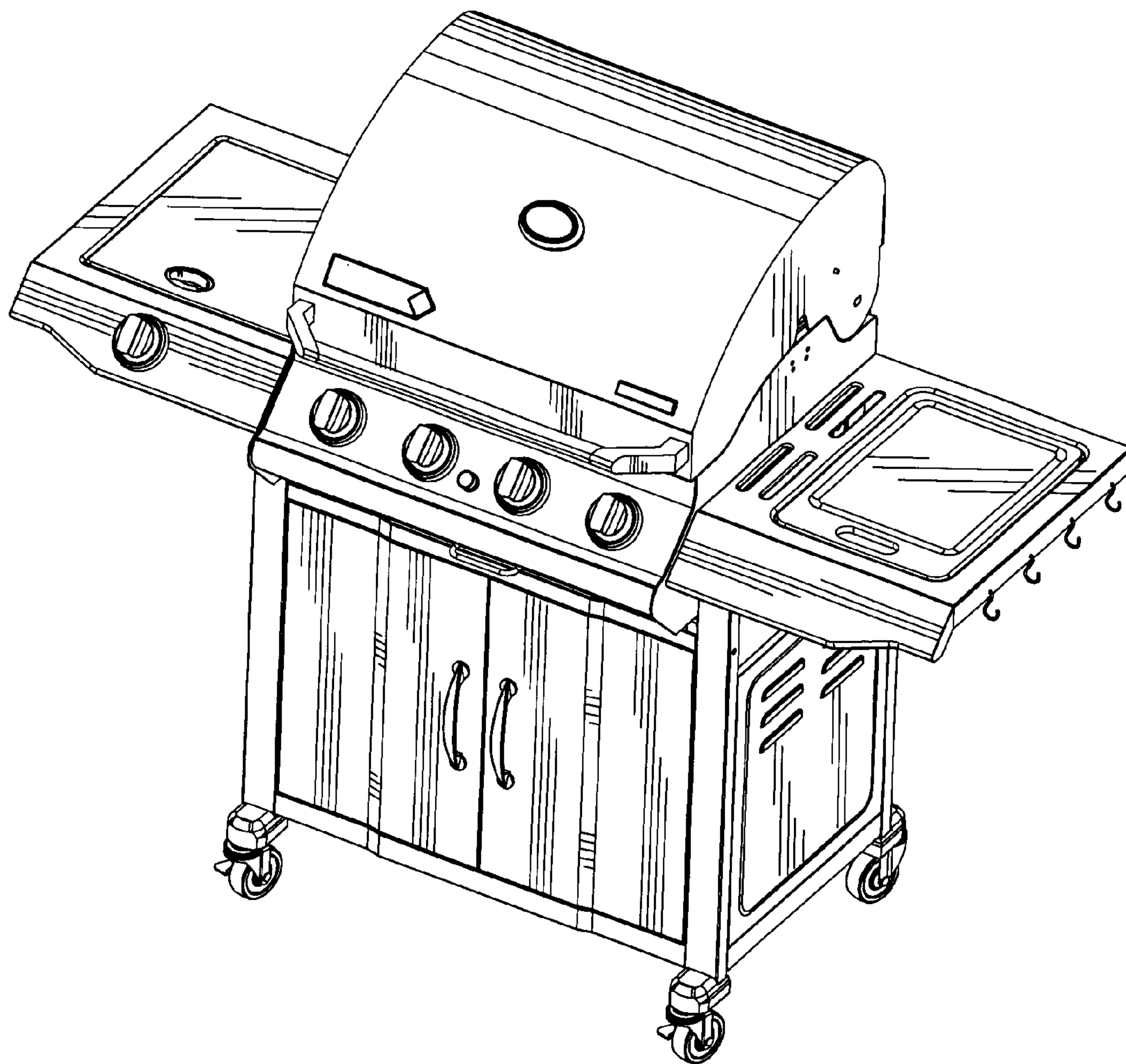


FIG. 1

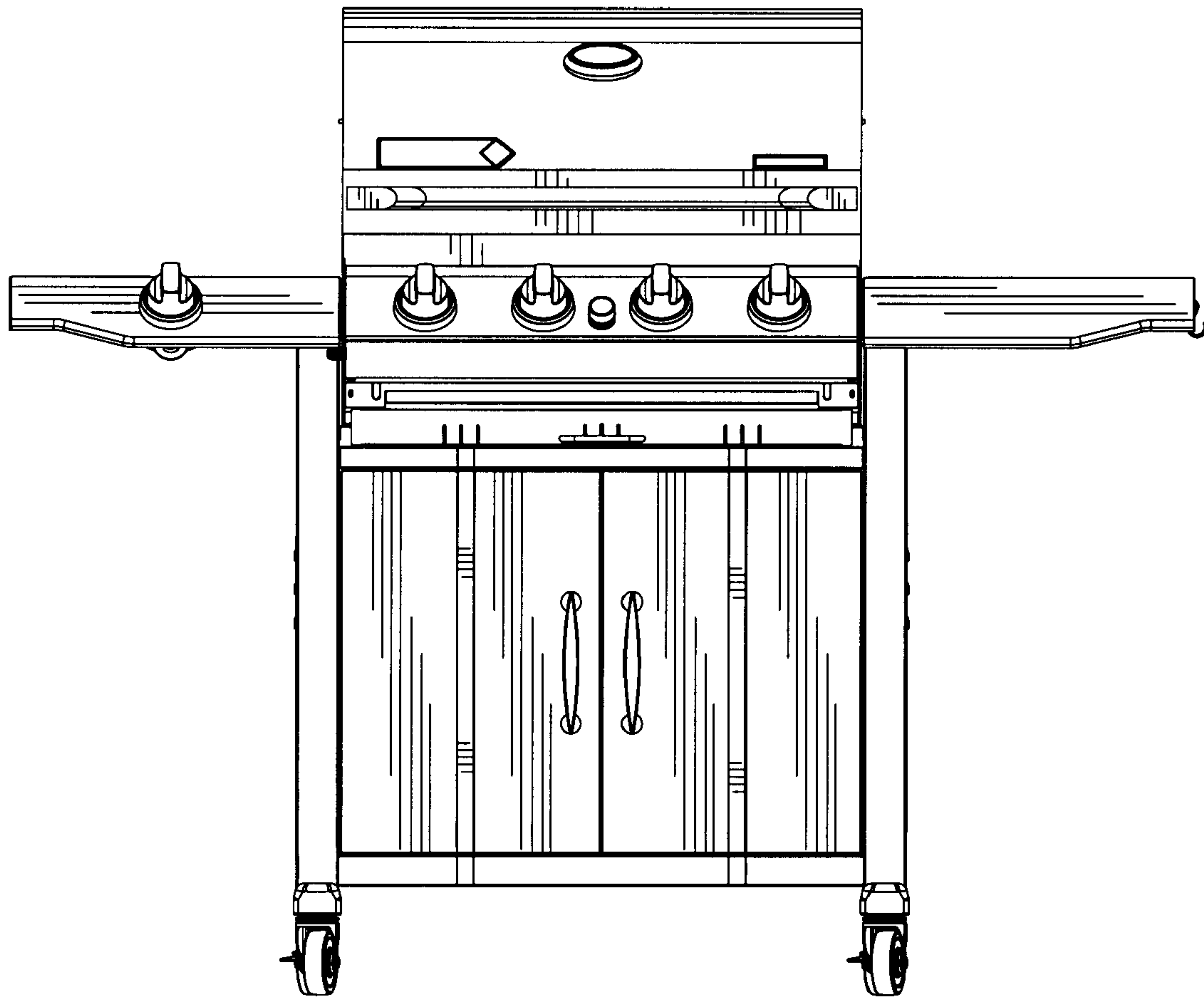


FIG. 2

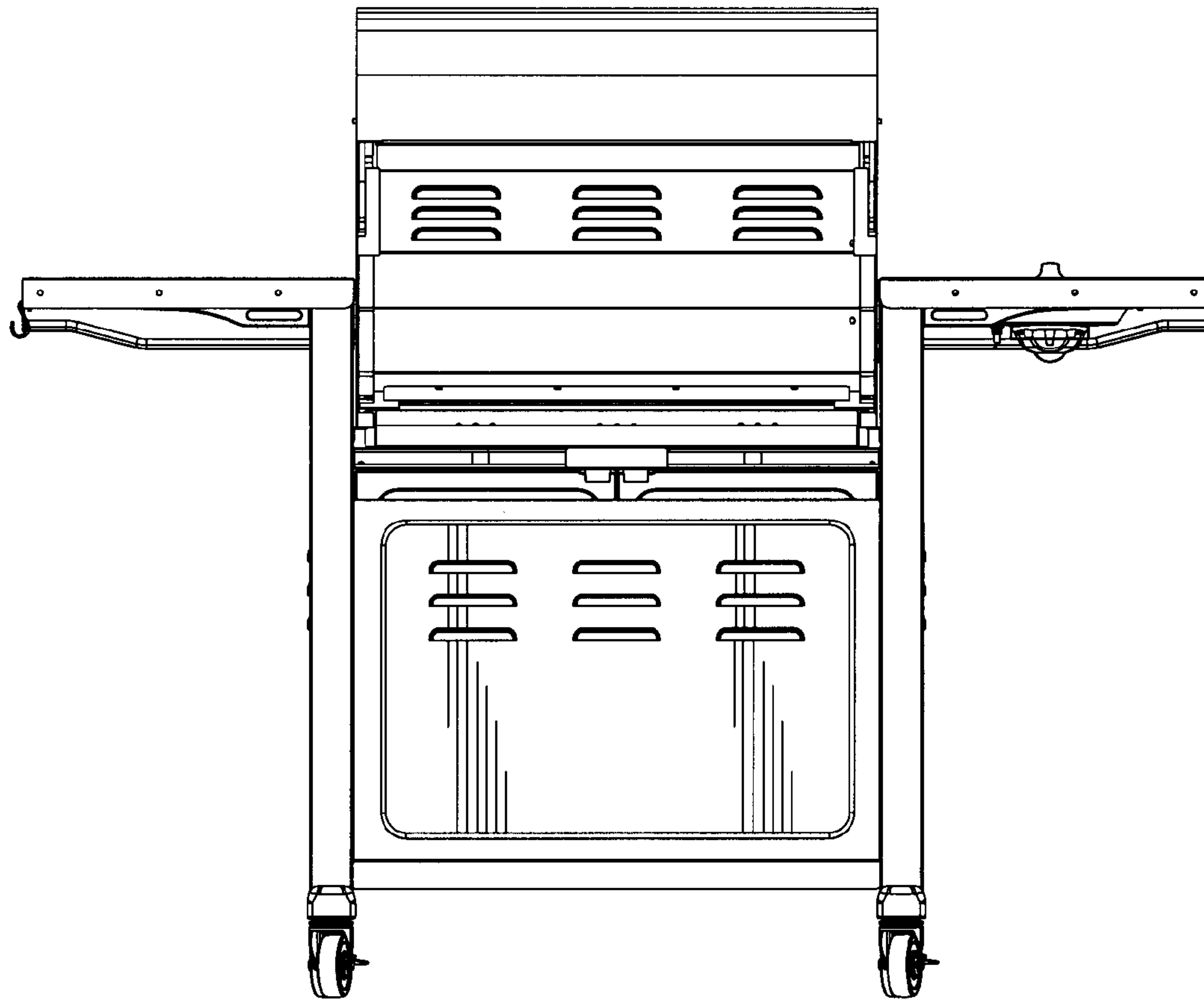


FIG. 3

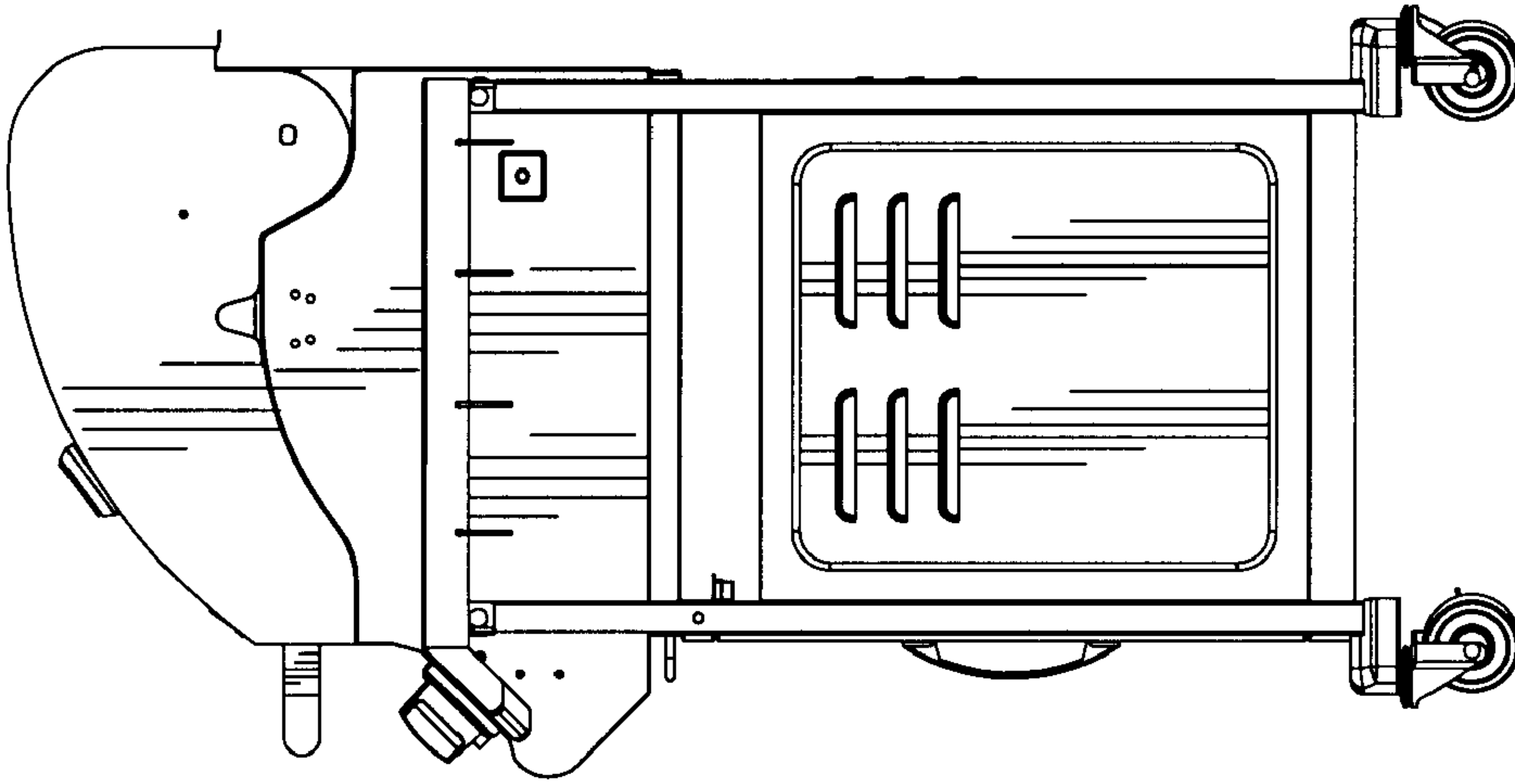


FIG. 5

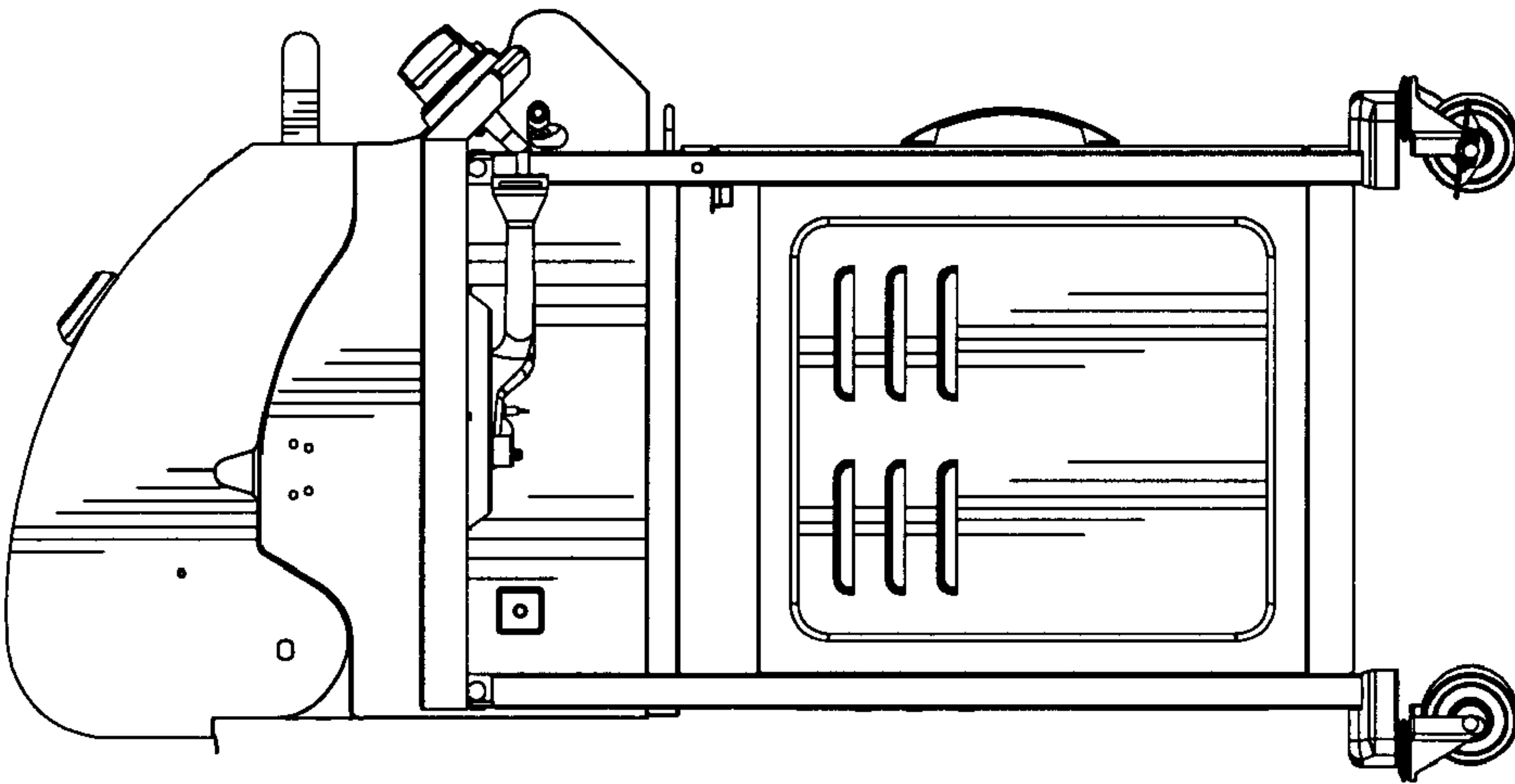


FIG. 4

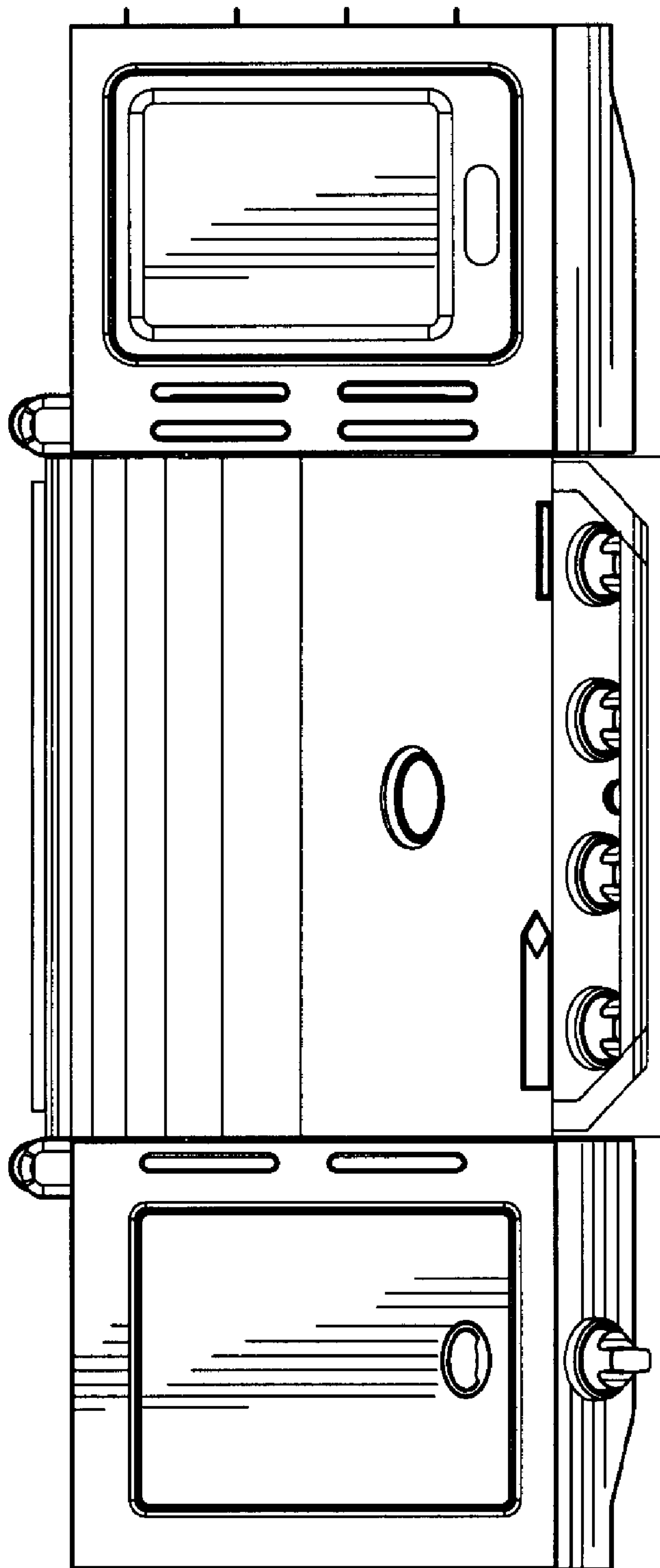


FIG. 6

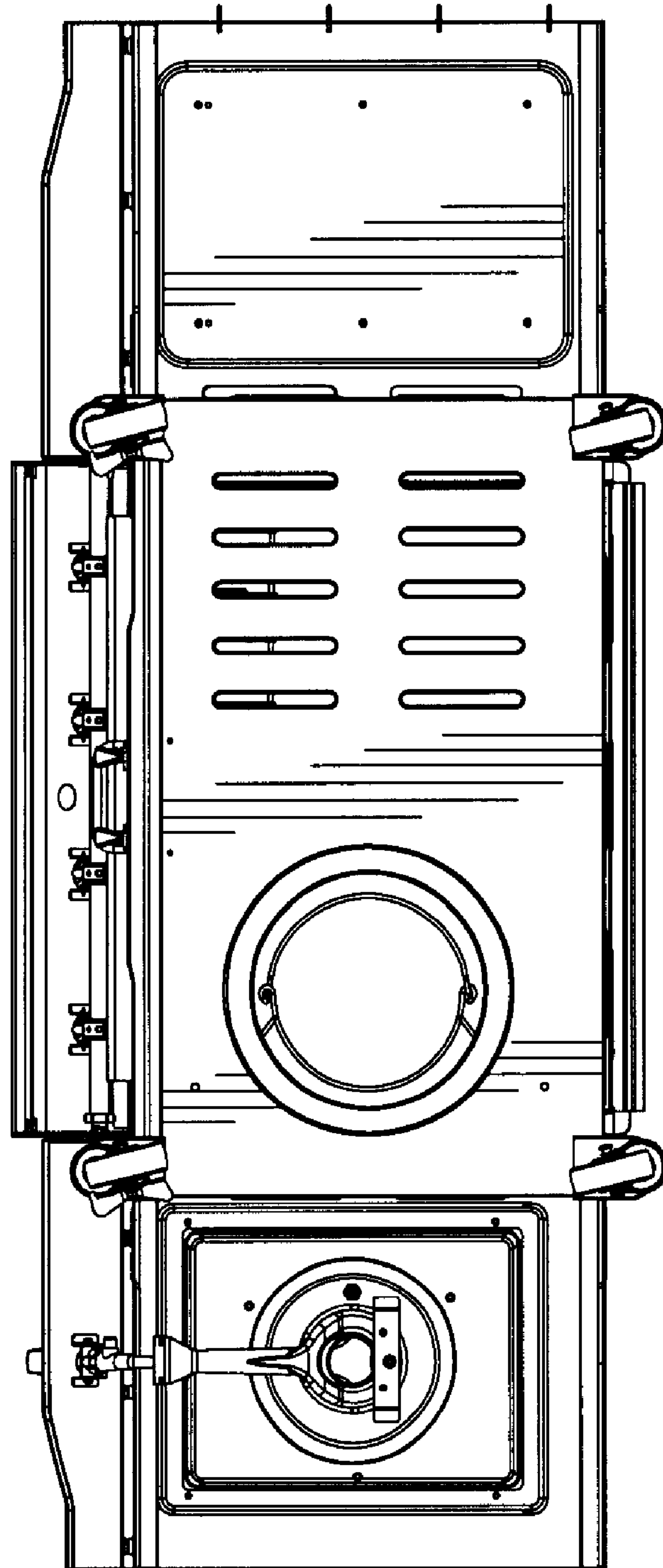


FIG. 7