

US00D521306S

(12) **United States Design Patent** (10) **Patent No.:** **US D521,306 S**
Boyle et al. (45) **Date of Patent:** **** May 23, 2006**

(54) **TOASTER**

FOREIGN PATENT DOCUMENTS

(75) Inventors: **Kenneth Boyle**, Newton, IA (US);
Doug Drenten, Ankeny, IA (US);
Robert Brueckner, Johnston, IA (US);
Gary Petersen, Grinnell, IA (US);
Kristi Lafrenz, Newton, IA (US);
Keith Gausmann, Westerville, OH
(US); **Jeffrey T. DeBord**, Worthington,
OH (US); **Michael T. Kopczewski**,
Grove City, OH (US); **Sally Stark**,
Westerville, OH (US); **Paul Hsu**,
Powell, OH (US)

GB 2086457 * 9/1999
GB 2095955 * 9/2000

OTHER PUBLICATIONS

GE Toaster Model 168958, GE Perfect Slice Ultra-Wide-Slot Toaster—User Manual and Images, date unknown.
T-Fal Toaster Model Avante Deluxe—User Manuals and Images, Sep. 10, 2005.

Primary Examiner—Caron D. Veynar
Assistant Examiner—Ricky Pham
(74) *Attorney, Agent, or Firm*—Brian J. Laurenzo; Jason M. Hunt; Michael C. Gilchrist

(73) Assignee: **Maytag Corporation**, Newton, IA (US)

(**) Term: **14 Years**

(57) **CLAIM**

The ornamental design for a toaster, as shown and described.

(21) Appl. No.: **29/201,756**

DESCRIPTION

(22) Filed: **Mar. 19, 2004**

(51) **LOC (8) Cl.** **07-02**

(52) **U.S. Cl.** **D7/330**

(58) **Field of Classification Search** D7/323,
D7/328–330, 385, 390; 99/331, 332, 357,
99/375, 385; 219/388, 405, 450.1; D21/525
See application file for complete search history.

FIG. 1 is an isometric view of a toaster according to the present invention;
FIG. 2 is a front elevation view of the toaster of FIG. 1;
FIG. 3 is left side elevation view of the toaster of FIG. 1;
FIG. 4 is a rear elevation view of the toaster of FIG. 1;
FIG. 5 is a top plan view of the toaster of FIG. 1;
FIG. 6 is a bottom plan view of the toaster of FIG. 1;
FIG. 7 is an alternative embodiment of a toaster according to the present invention;
FIG. 8 is a front elevation view of the toaster of FIG. 7; and,
FIG. 9 is a top plan view of the toaster of FIG. 7.

(56) **References Cited**

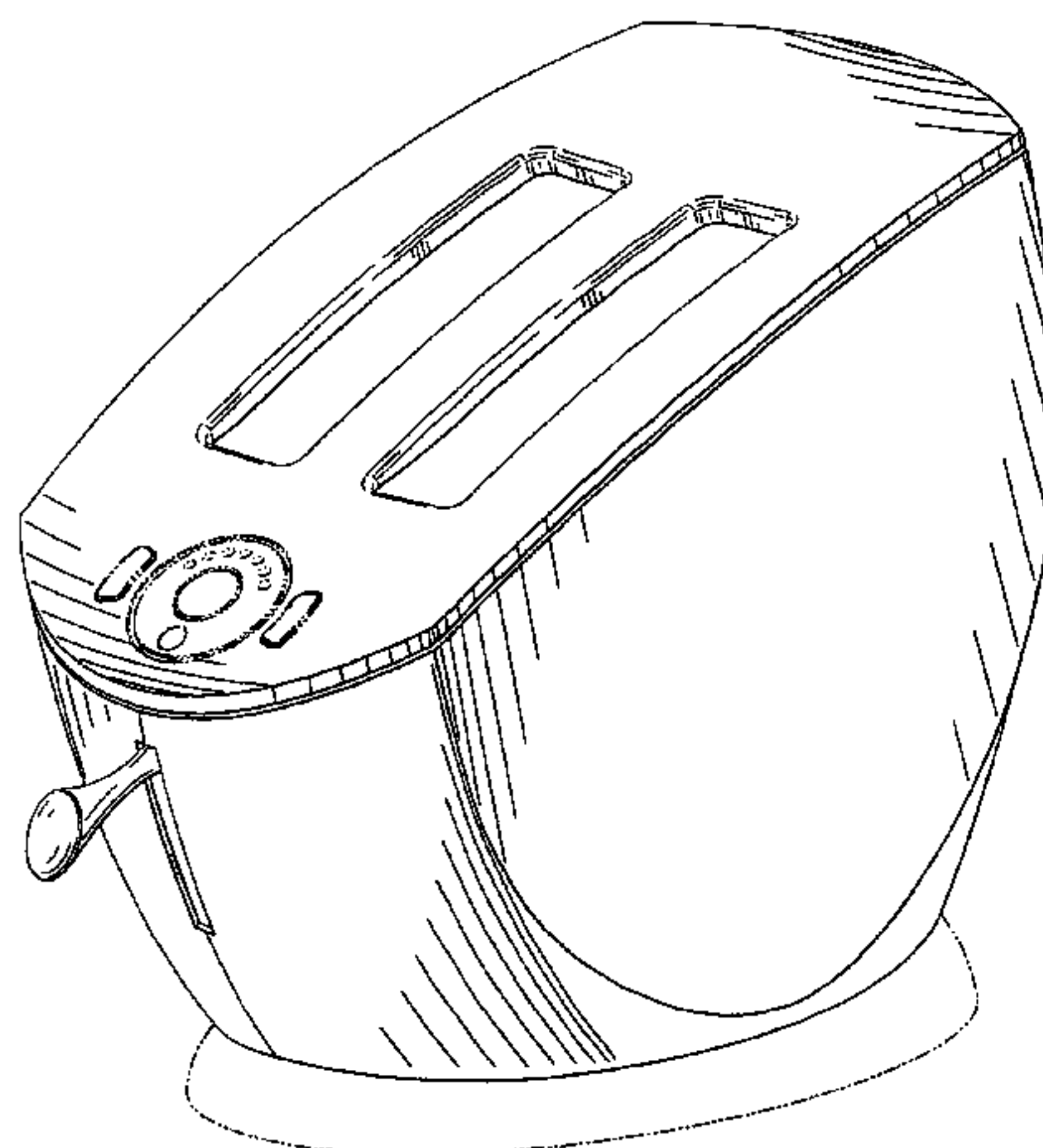
U.S. PATENT DOCUMENTS

| | | | |
|-------------|-----------|----------|--------------|
| 1,502,894 A | 7/1924 | Anschutz | |
| 1,533,241 A | 4/1925 | Forshee | |
| 1,611,769 A | 12/1926 | Mottlau | |
| 1,666,398 A | 4/1928 | Pierce | |
| D111,765 S | 10/1938 | Hadley | |
| D112,252 S | 11/1938 | Hadley | |
| D142,146 S | * 8/1945 | Pavelka | D7/330 |
| D148,104 S | * 12/1947 | Geller | D7/328 |
| D235,124 S | * 5/1975 | Jolliffe | D7/330 |
| 4,487,115 A | 12/1984 | Su | |
| D289,249 S | 4/1987 | Jeter | |
| 5,299,497 A | 4/1994 | Dias | |
| D367,990 S | 3/1996 | Roze | |

The right side elevation view of the toaster of FIG. 1 is identical or a mirror image of the left side elevation view shown in FIG. 3, and is therefore not shown.
The alternative embodiment, as shown in FIGS. 7–9, differs from the first embodiment of FIG. 1 only in the appearance of the top surface of the toaster, it being understood that all other surfaces are the same as those of the first embodiment.
The broken lines in the Drawings are for illustrative purposes only in order to show the environment in which the design is associated and form no part of the claimed design.

(Continued)

1 Claim, 8 Drawing Sheets



US D521,306 S

Page 2

U.S. PATENT DOCUMENTS

| | | | | | | | | |
|--------------|---|---------|--------------------|---------|-----------------|---------|--------------------|----------------------|
| D372,057 S | * | 7/1996 | Yang | D21/525 | D450,975 S | 11/2001 | Aeschbacher | |
| D376,509 S | | 12/1996 | Stutzer | | D452,795 S | 1/2002 | Johnson et al. | |
| 5,584,231 A | | 12/1996 | DeLeon | | D460,655 S | 7/2002 | Piret | |
| D380,338 S | | 7/1997 | Carbone et al. | | D461,088 S | 8/2002 | Cheah et al. | |
| D383,352 S | | 9/1997 | Powel | | D461,089 S | 8/2002 | Cheah et al. | |
| D396,165 S | | 7/1998 | Pena Angarita | | D468,152 S | * | 1/2003 | Kettman D7/338 |
| D401,472 S | | 11/1998 | Gould | | 6,532,864 B1 | 3/2003 | Ancona et al. | |
| D413,040 S | | 8/1999 | Lawrence et al. | | D472,421 S | 4/2003 | To | |
| D421,693 S | | 3/2000 | Carbone | | D473,094 S | 4/2003 | Aeshbacher | |
| D422,172 S | | 4/2000 | Hsu | | D474,640 S | 5/2003 | Holderfield et al. | |
| D422,832 S | * | 4/2000 | Gaynor et al. | D7/330 | D475,884 S | 6/2003 | Holderfield et al. | |
| D423,866 S | * | 5/2000 | Parker et al. | D7/330 | D483,601 S | 12/2003 | Anglay | |
| D431,147 S | | 9/2000 | Lin | | D483,643 S | 12/2003 | Chien | |
| D434,264 S | | 11/2000 | Mixides | | 6,657,168 B1 | 12/2003 | Lazzer | |
| D438,383 S | | 3/2001 | Doat | | D489,220 S | * | 5/2004 | Brady D7/330 |
| 6,205,911 B1 | | 3/2001 | Ochoa | | D489,565 S | * | 5/2004 | Averty D7/330 |
| D445,629 S | * | 7/2001 | Davis et al. | D7/330 | 2001/0029823 A1 | 10/2001 | Ancona et al. | |
| D445,663 S | | 7/2001 | Chen | | 2003/0106436 A1 | 6/2003 | Ancona et al. | |
| D446,417 S | | 8/2001 | Mauch | | | | | |

* cited by examiner

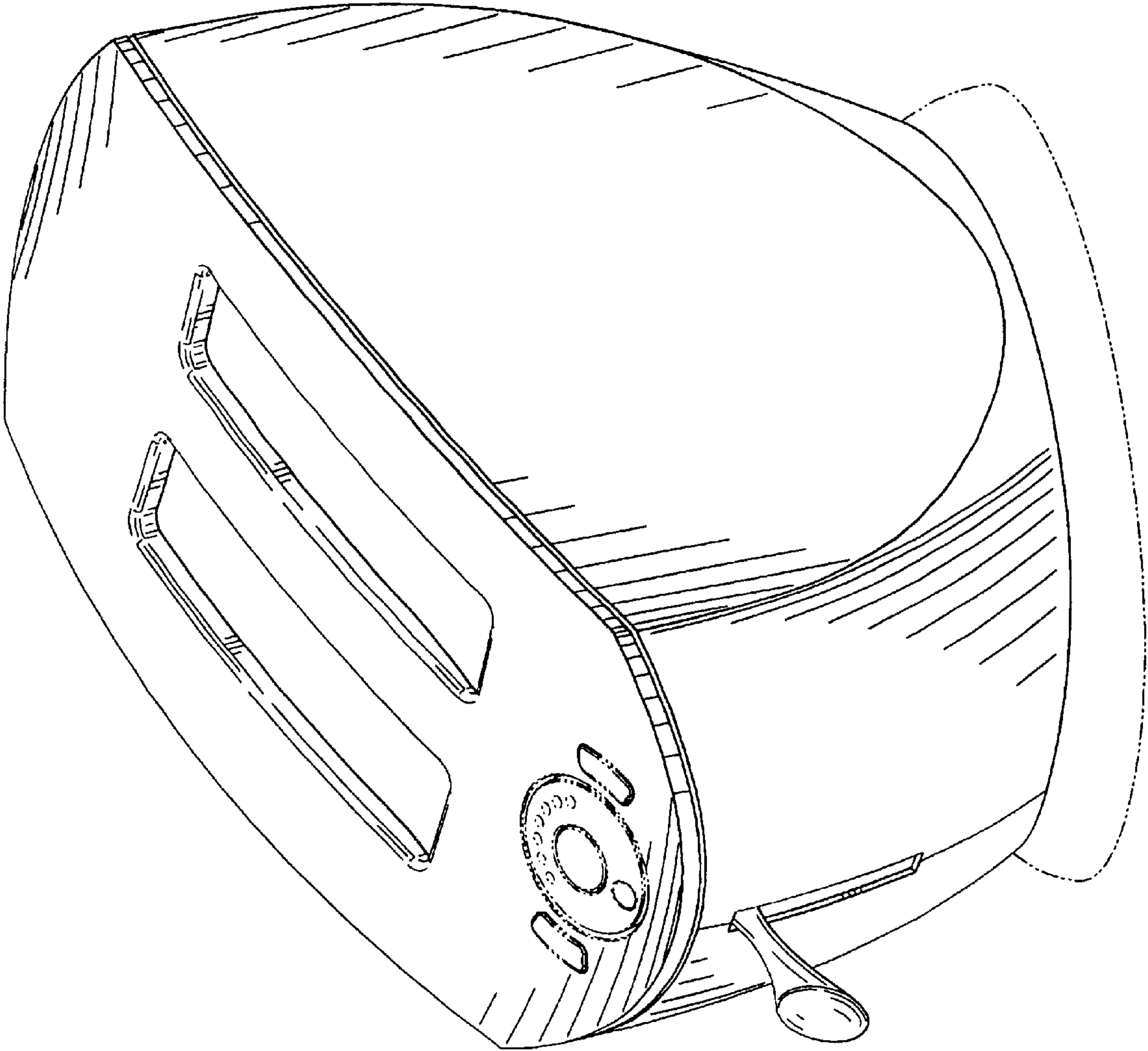


FIG. 1

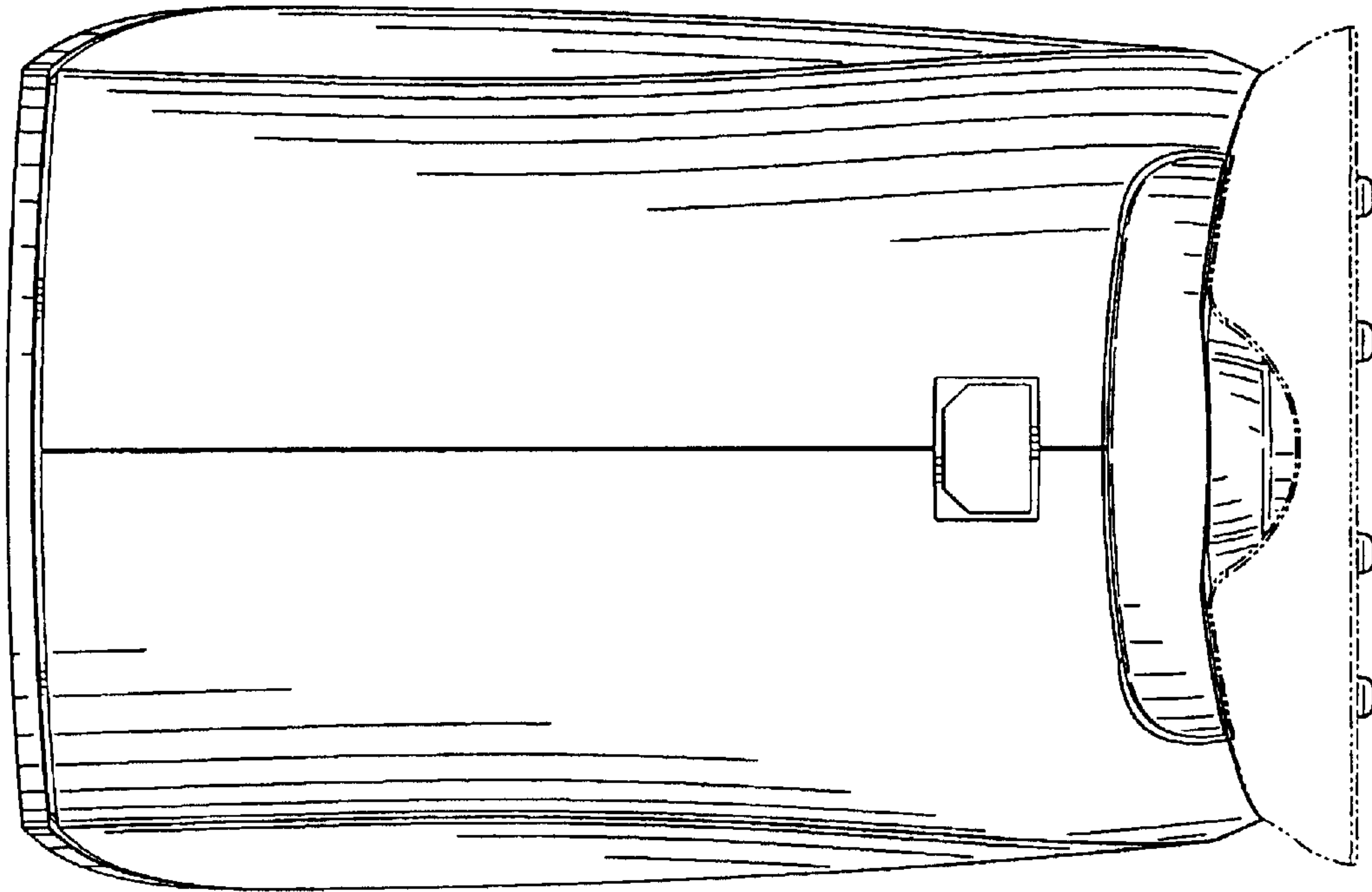


FIG. 4

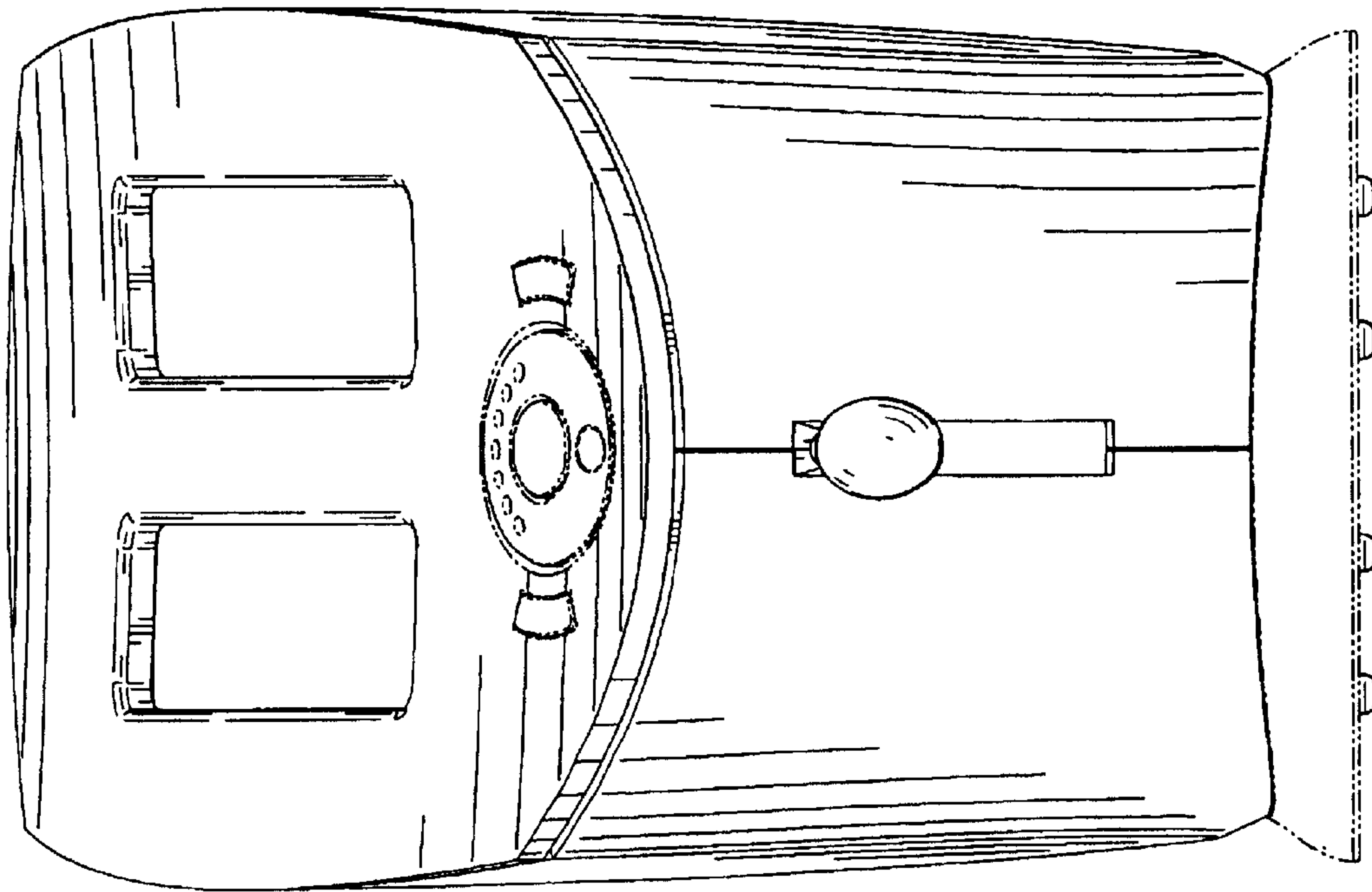


FIG. 2

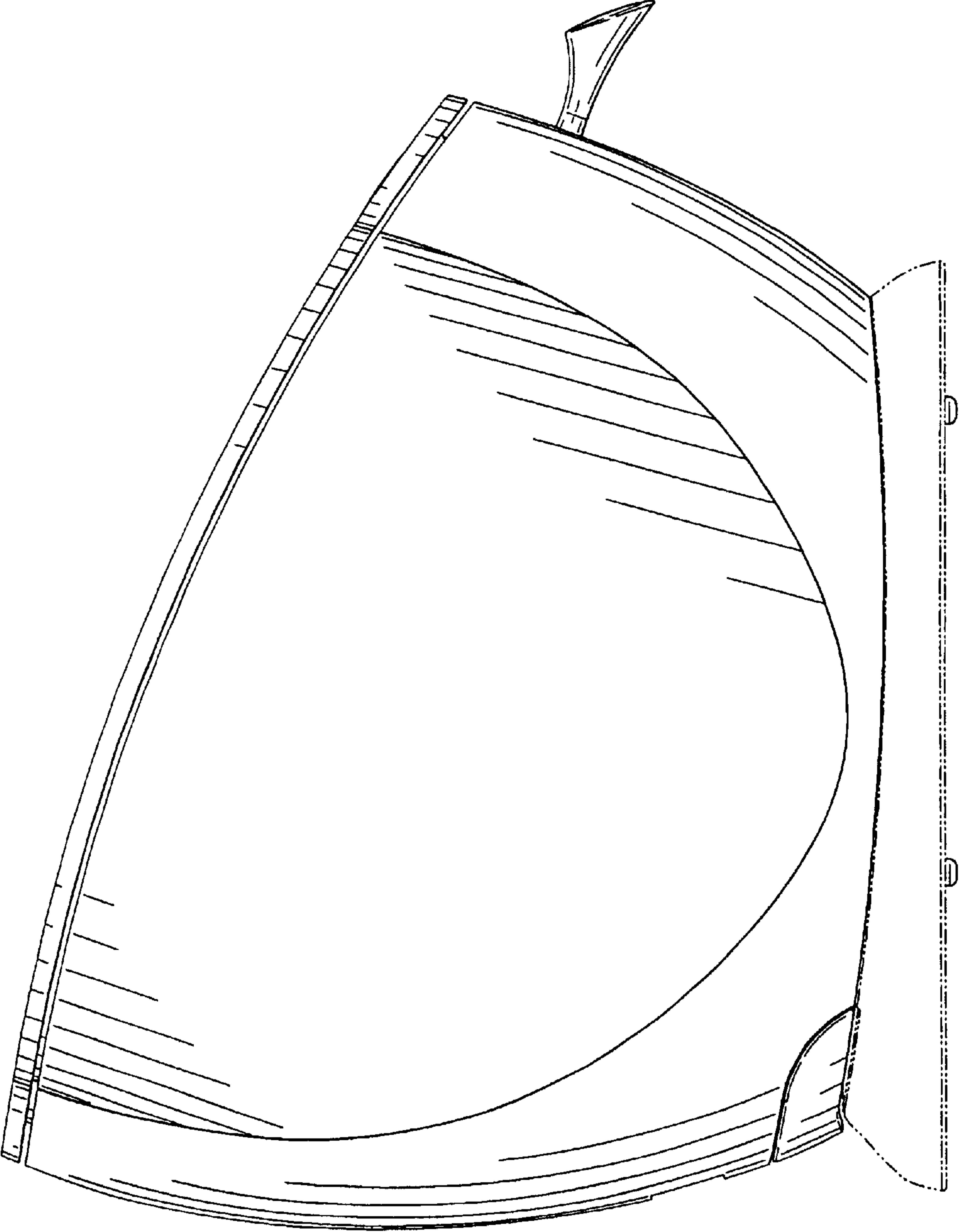


FIG. 3

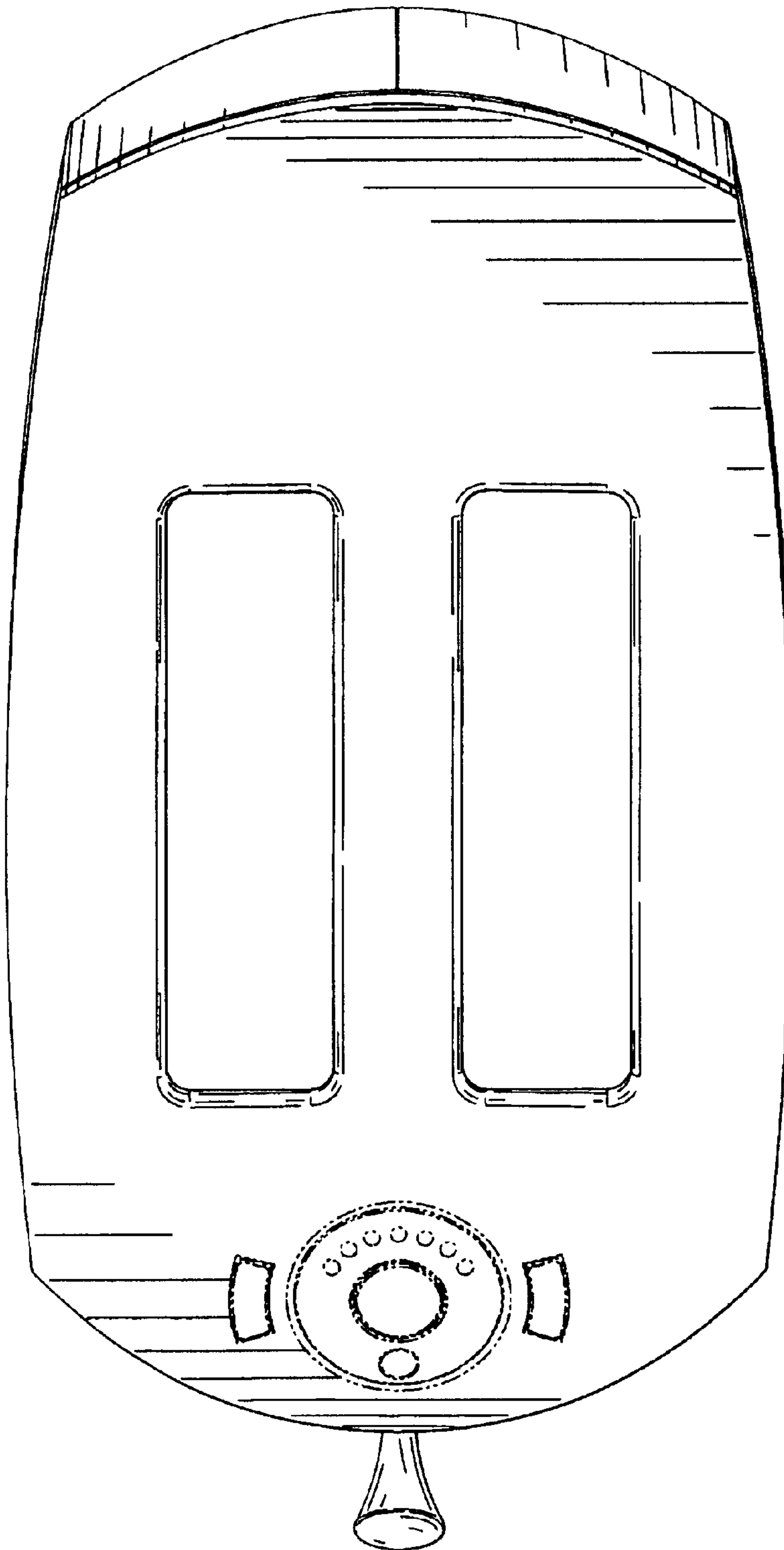


FIG. 5

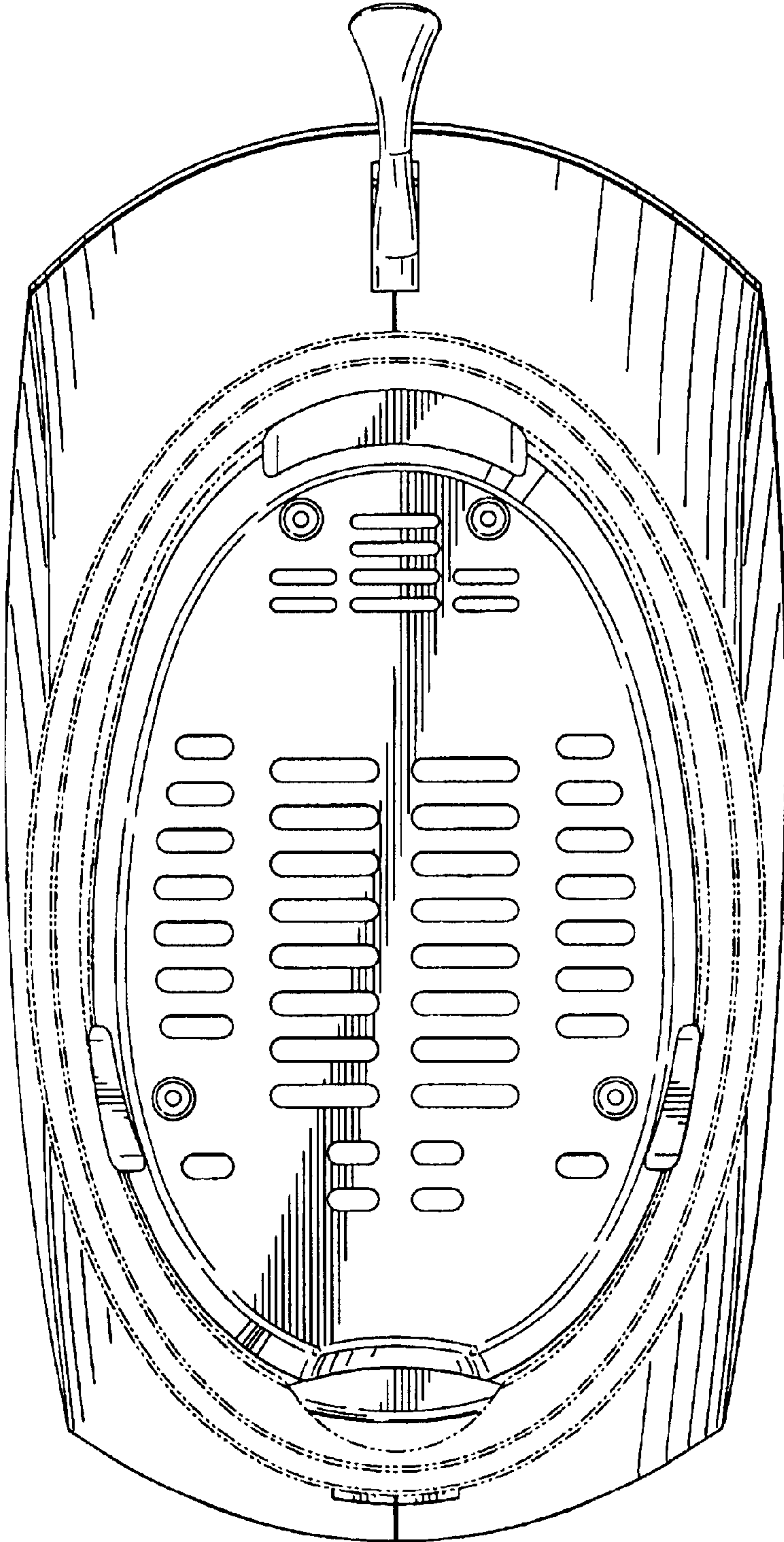


FIG. 6

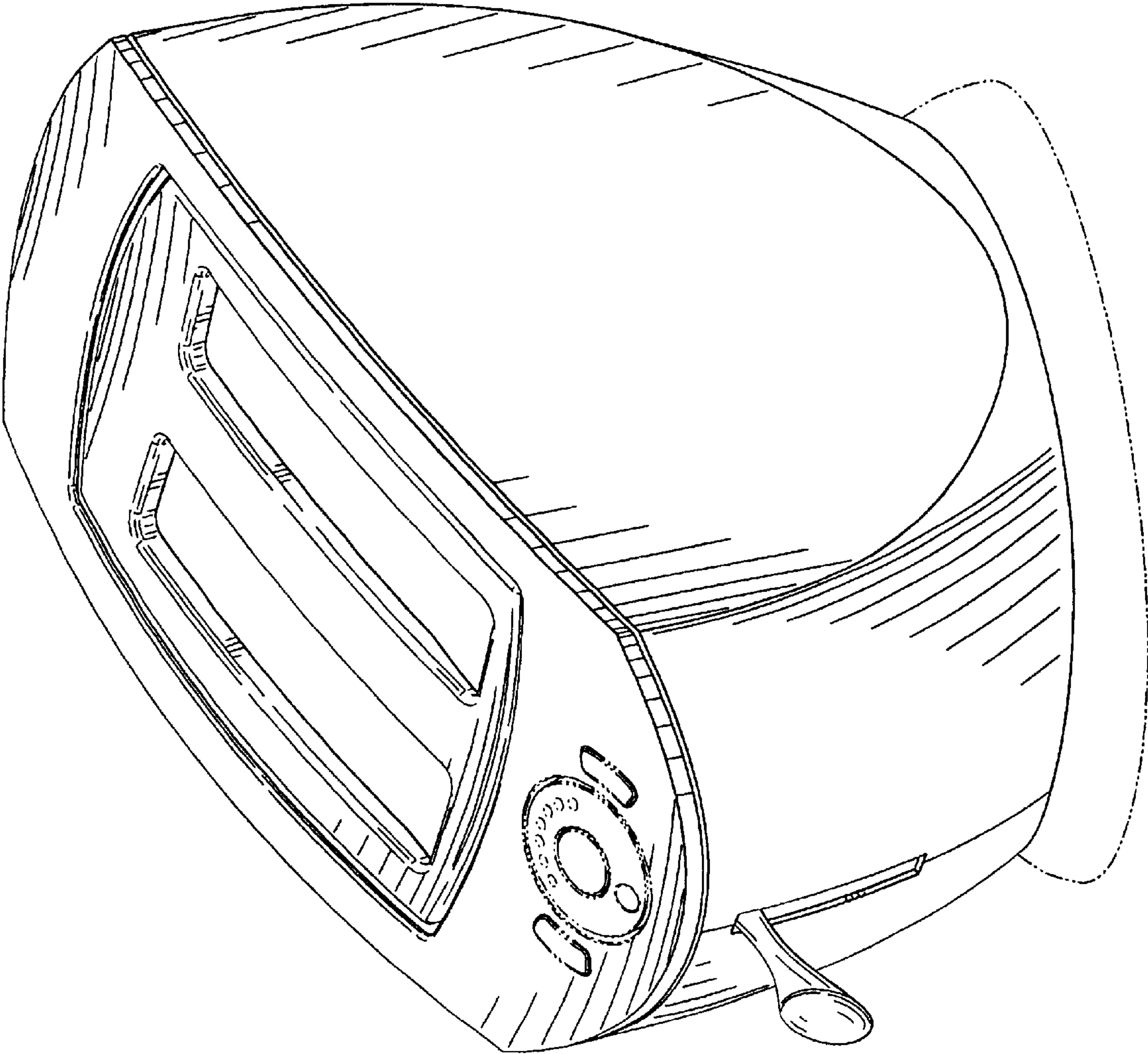


FIG. 7

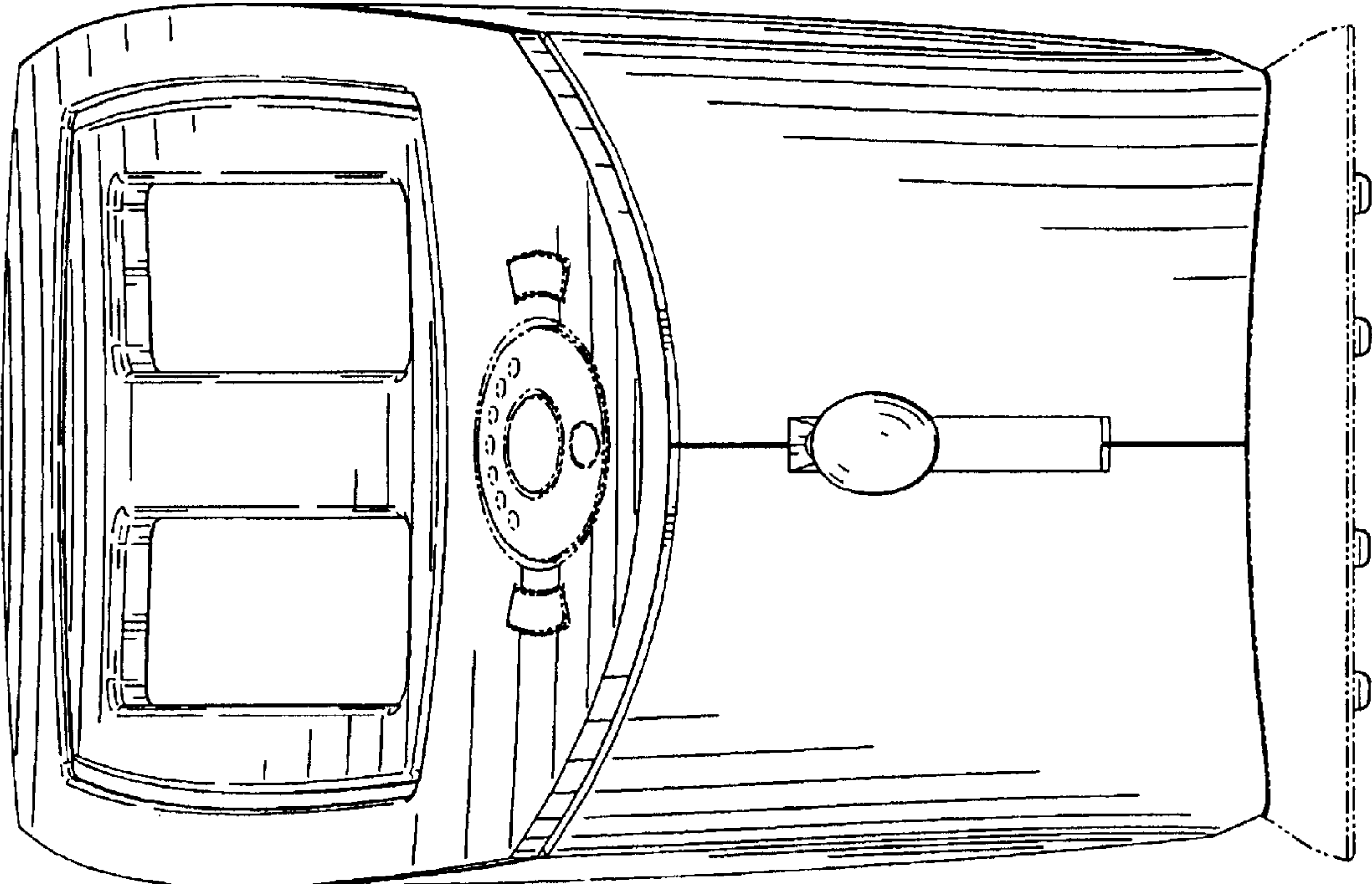


FIG. 8

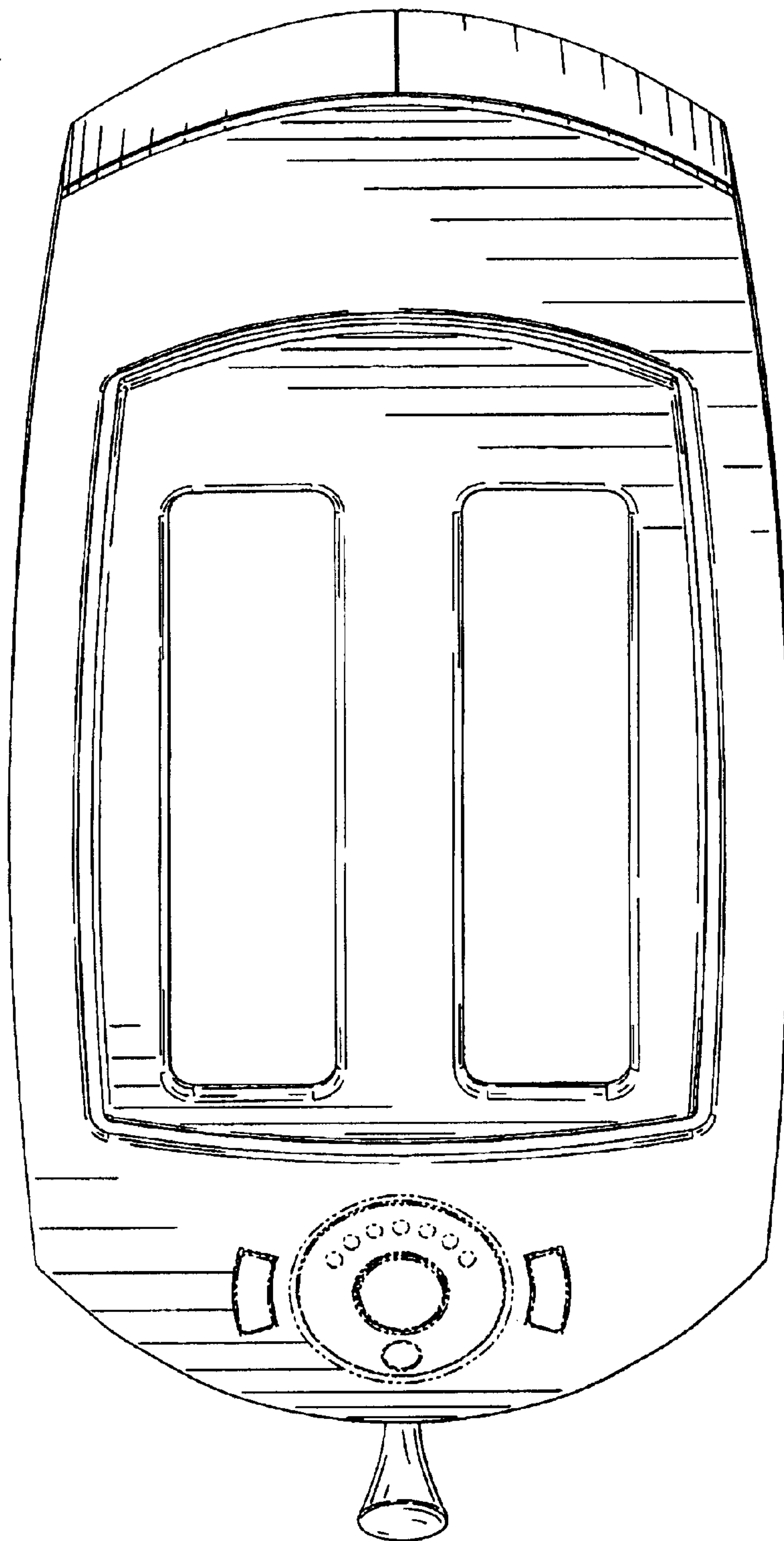


FIG. 9