

US00D521305S

(12) **United States Design Patent**
Hansen

(10) **Patent No.:** **US D521,305 S**

(45) **Date of Patent:** **** May 23, 2006**

(54) **COFFEE MAKER**

(75) Inventor: **Anders Hansen**, Den Bosch (NL)

(73) Assignee: **Koninklijke Philips Electronics, N.V.**,
Eindhoven (NL)

(**) Term: **14 Years**

(21) Appl. No.: **29/210,808**

(22) Filed: **Aug. 6, 2004**

(30) **Foreign Application Priority Data**

Feb. 17, 2004 (EM) 000136239-0006

(51) **LOC (8) Cl.** **07-01**

(52) **U.S. Cl.** **D7/306; D7/309; D7/311**

(58) **Field of Classification Search** D7/300,
D7/306, 309, 311, 310, 312, 387, 313; 99/307,
99/282, 299, 305; D23/209; D15/82; 222/129.1-129.4
See application file for complete search history.

(56) **References Cited**

U.S. PATENT DOCUMENTS

3,453,947	A	7/1969	George et al.	99/308
3,592,125	A	* 7/1971	Tolmie et al.	99/307
D235,015	S	4/1975	Stern	D23/209
D243,141	S	* 1/1977	Mantelet	D7/309
D251,564	S	* 4/1979	MacKrell	D7/311
D267,325	S	* 12/1982	Zimmerman et al.	D7/309
D278,200	S	* 4/1985	Dahlberg	D7/312
4,579,050	A	* 4/1986	Niezen	99/295

D283,778	S	* 5/1986	Jack	D7/309
D298,996	S	* 12/1988	Van Camp et al.	D7/309
D300,106	S	* 3/1989	Paulin	D7/309
D331,522	S	* 12/1992	Littmann	D7/309
D352,863	S	* 11/1994	VerHoven	D7/319
D356,713	S	3/1995	Groover	D7/306
D375,431	S	11/1996	Credle et al.	D7/311
D380,335	S	7/1997	Hui	D7/309
D401,803	S	* 12/1998	Alferink	D7/307
D421,871	S	* 3/2000	Klosinski et al.	D7/309
D431,145	S	9/2000	Woebcke et al.	D7/306
D456,663	S	5/2002	Chew	D7/306
D464,226	S	10/2002	Lassota et al.	D7/306
D497,075	S	10/2004	Lassota et al.	D7/306
D501,623	S	2/2005	Lin	D7/309
D502,043	S	2/2005	Lin	D7/309

* cited by examiner

Primary Examiner—M. N. Pandozzi

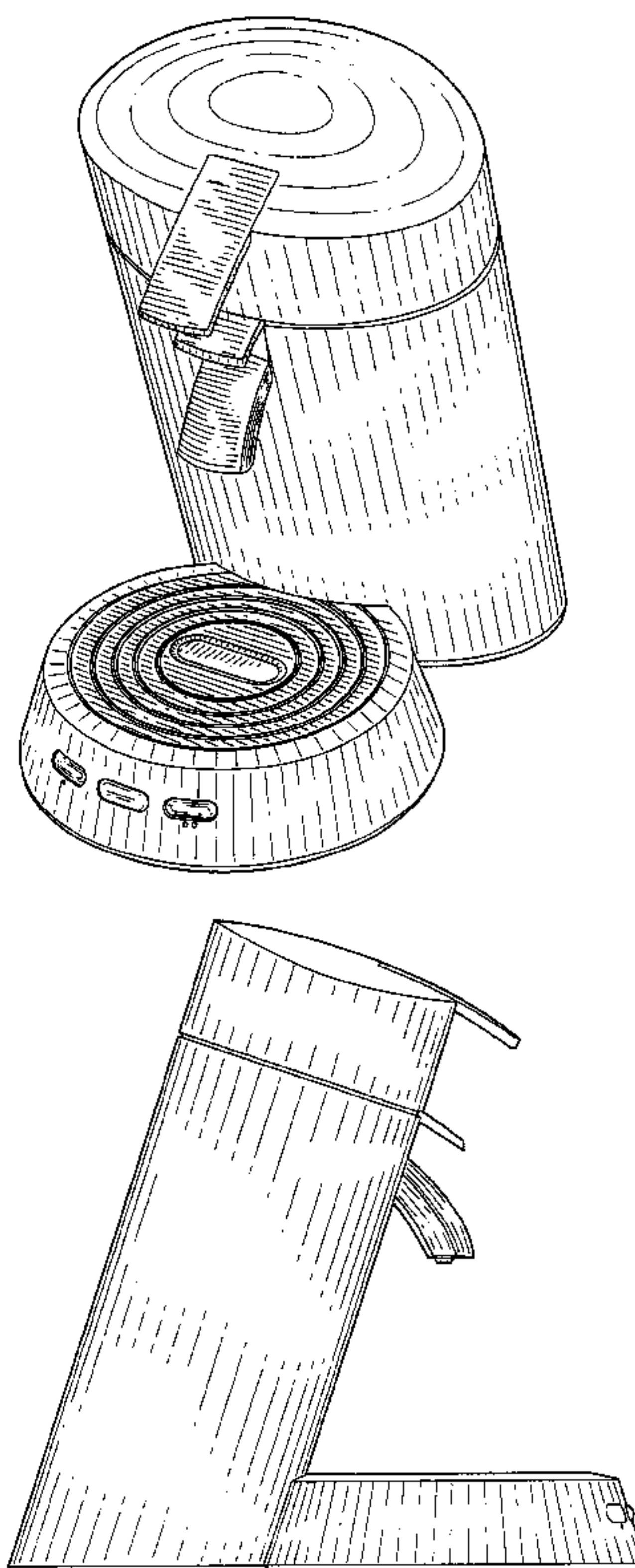
(57) **CLAIM**

The ornamental design for a coffee maker, as shown.

DESCRIPTION

FIG. 1 is a perspective view showing my design;
FIG. 2 is a front elevational view thereof;
FIG. 3 is a rear elevational view thereof;
FIG. 4 is a right side elevational view thereof;
FIG. 5 is a left side elevational view thereof;
FIG. 6 is a top plan view thereof; and,
FIG. 7 is a bottom plan view thereof.

1 Claim, 5 Drawing Sheets



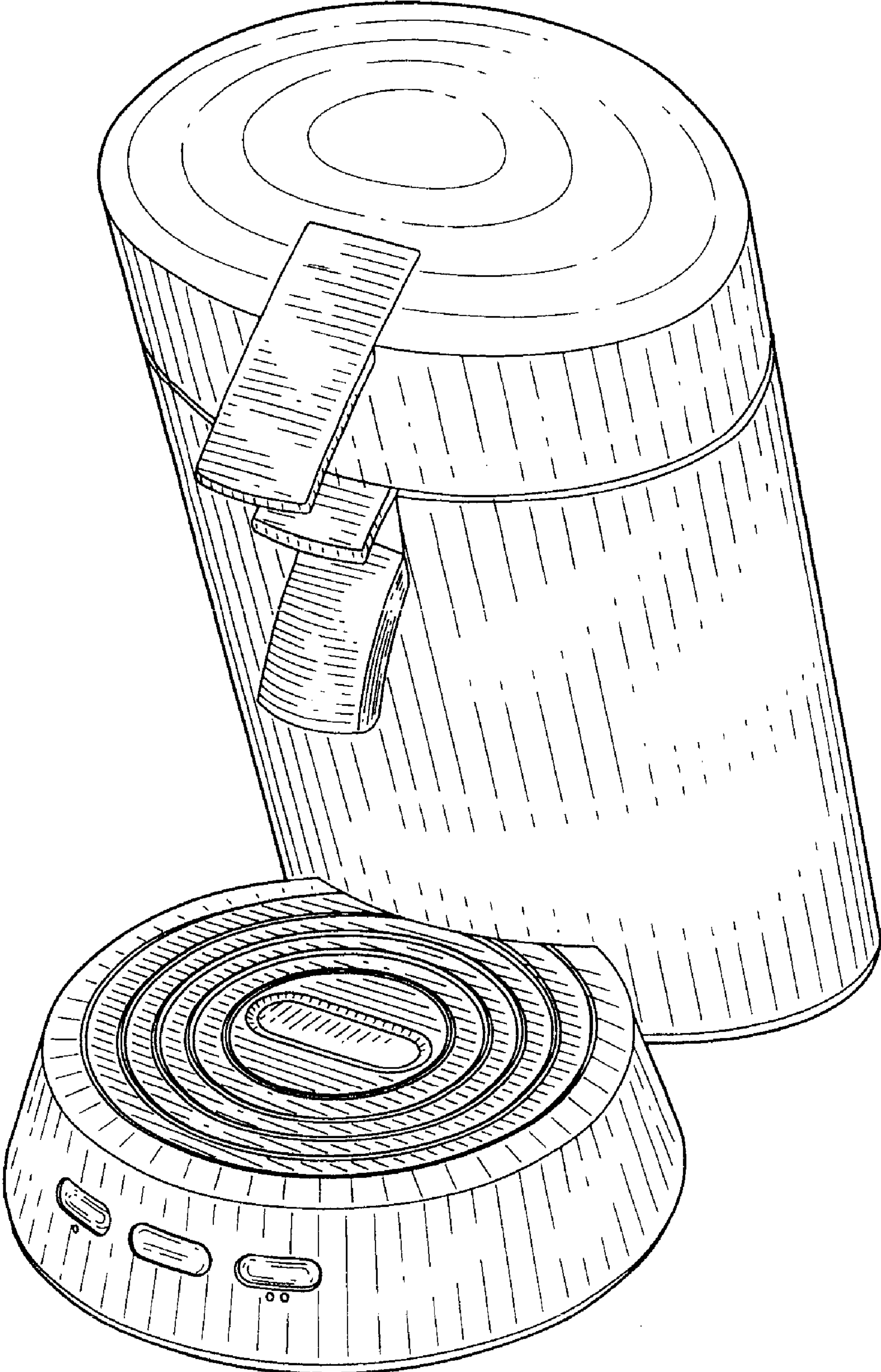


FIG. 1

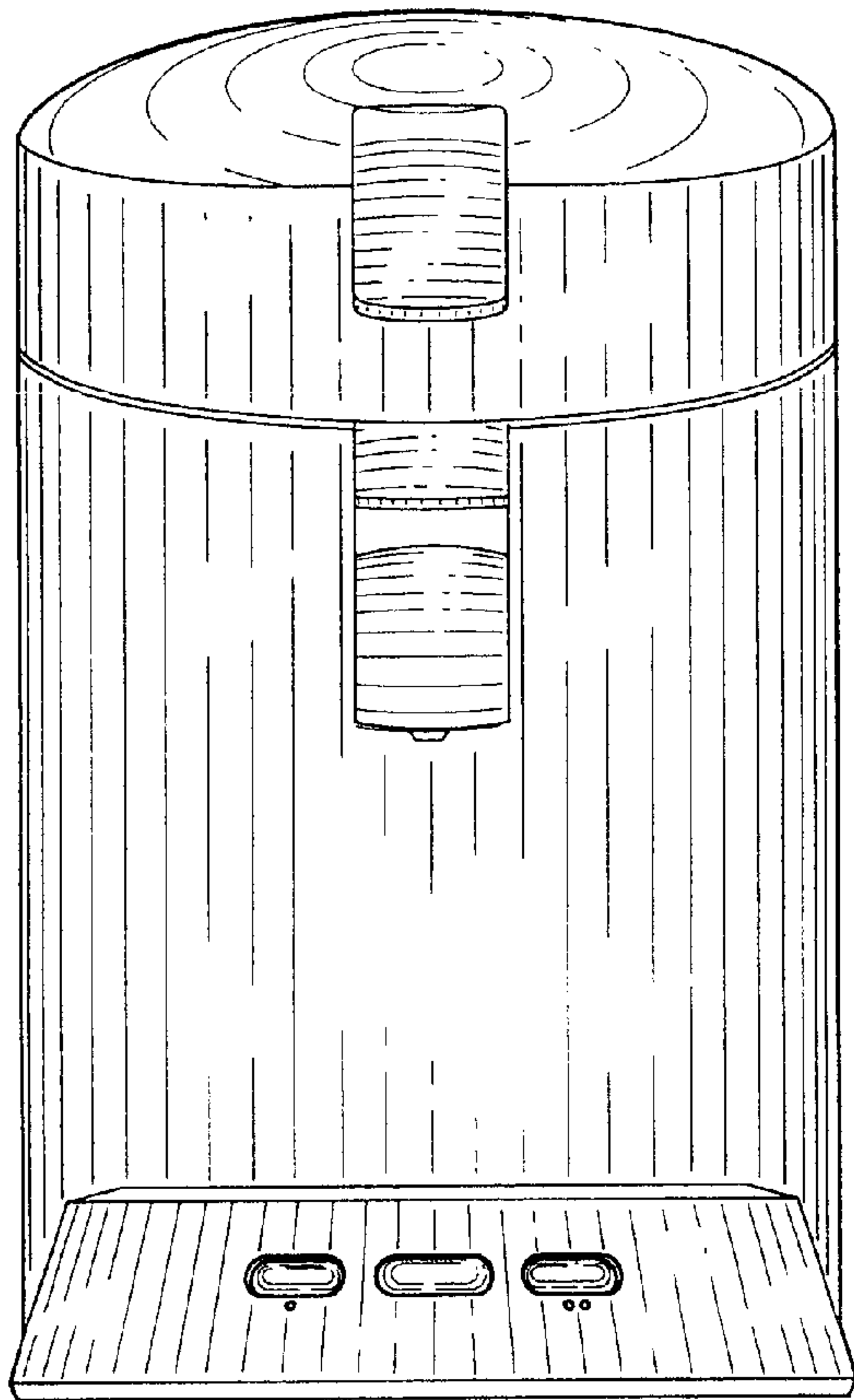


FIG. 2

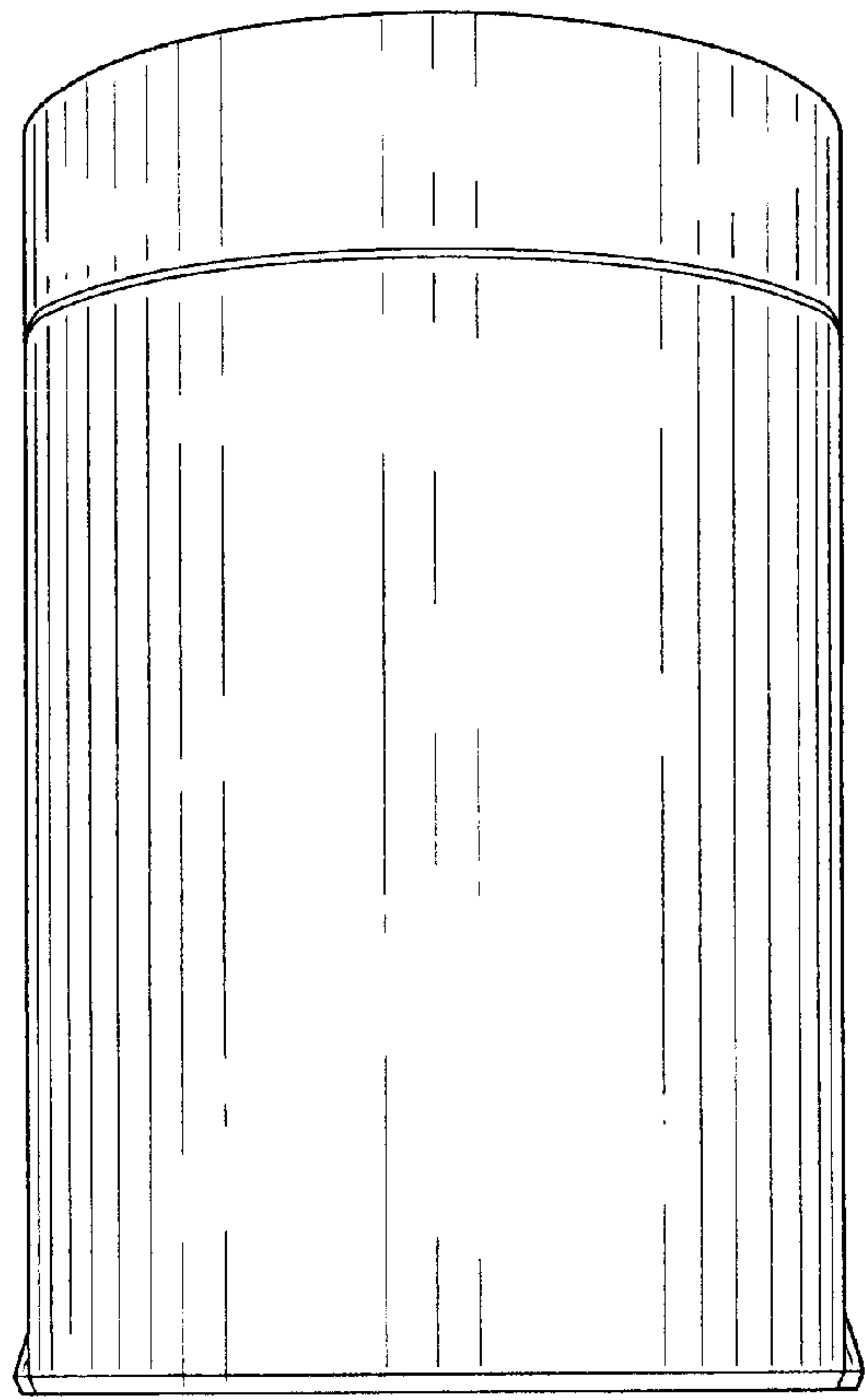


FIG. 3

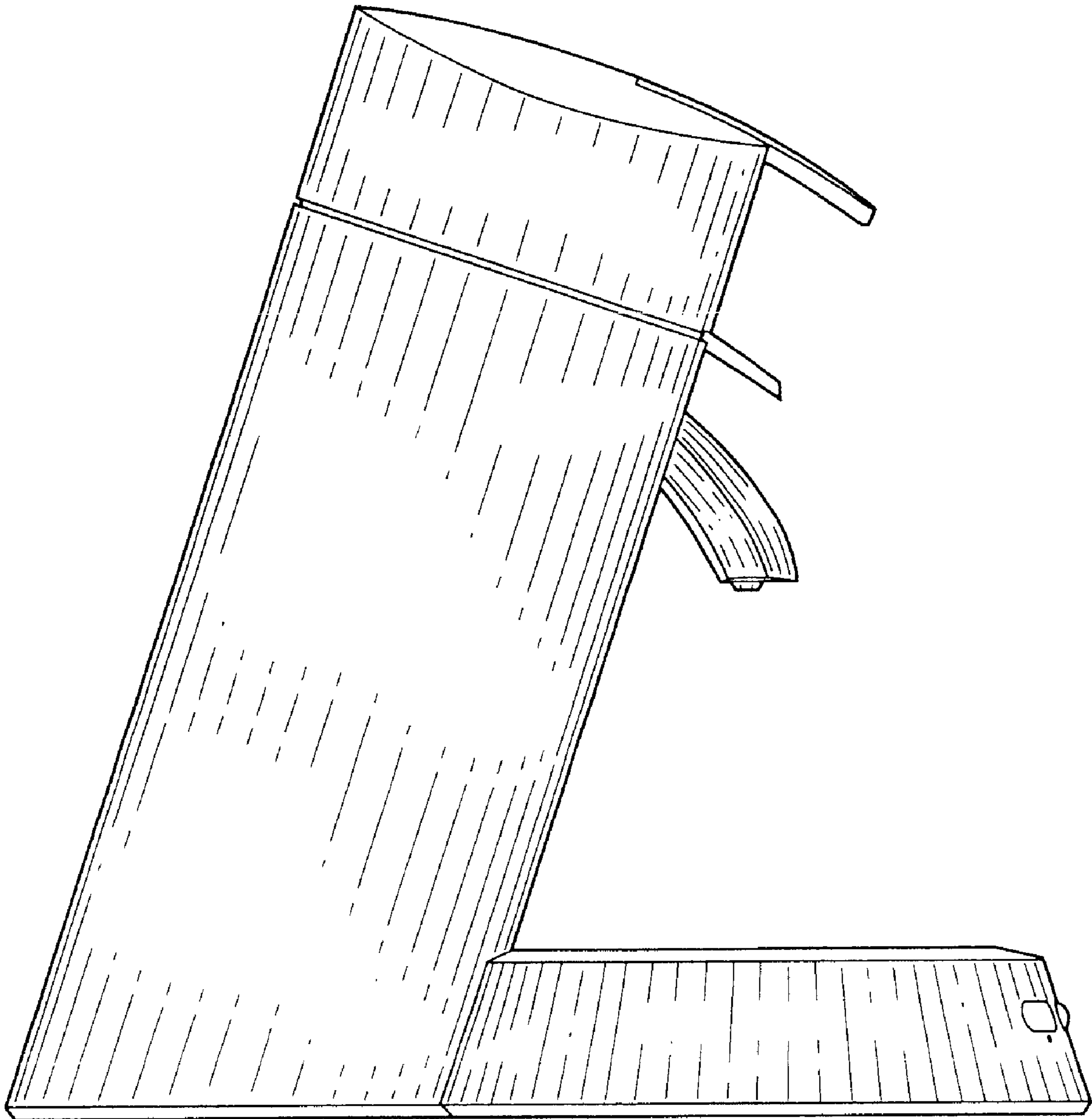


FIG.4

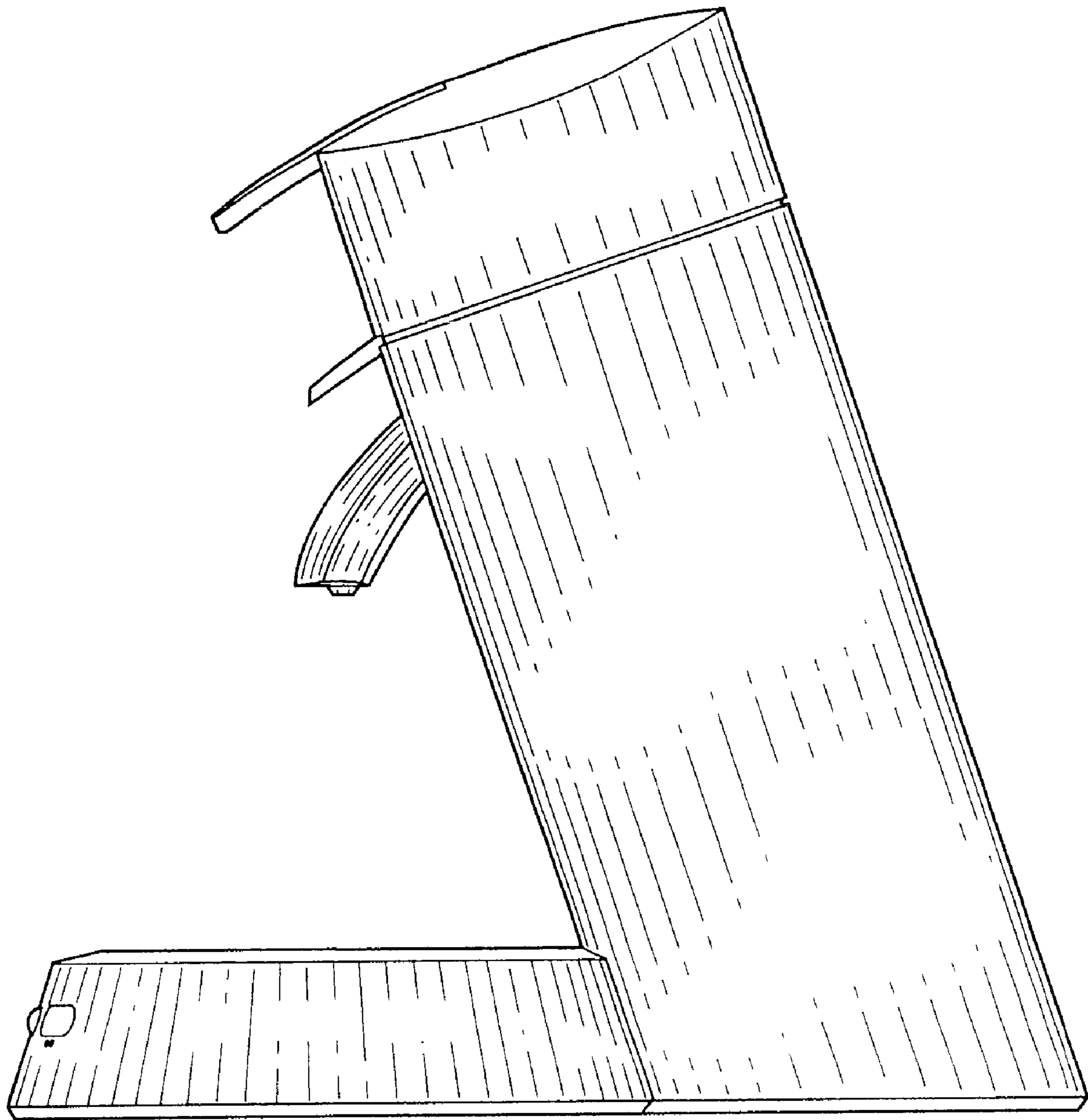


FIG. 5

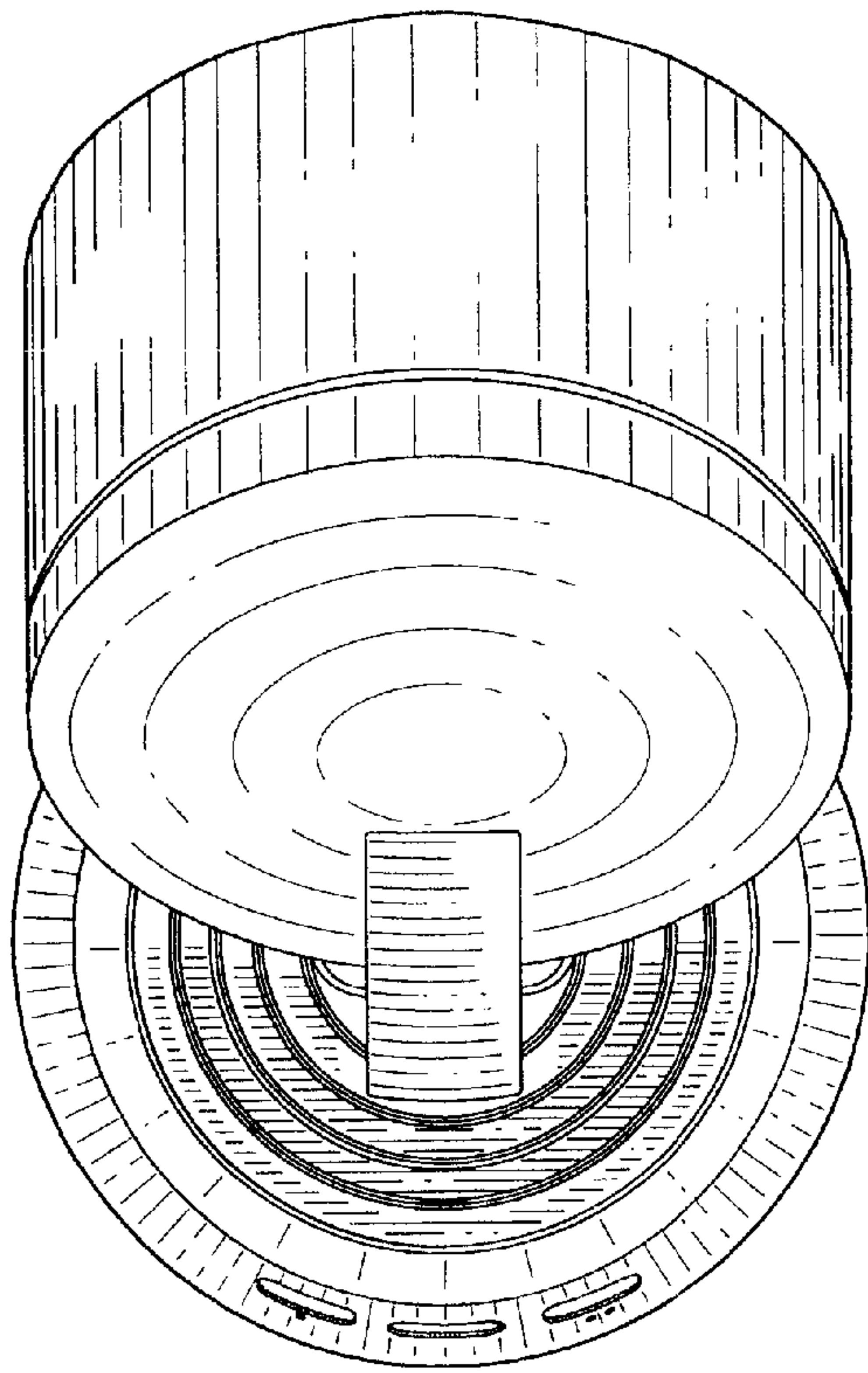


FIG. 6

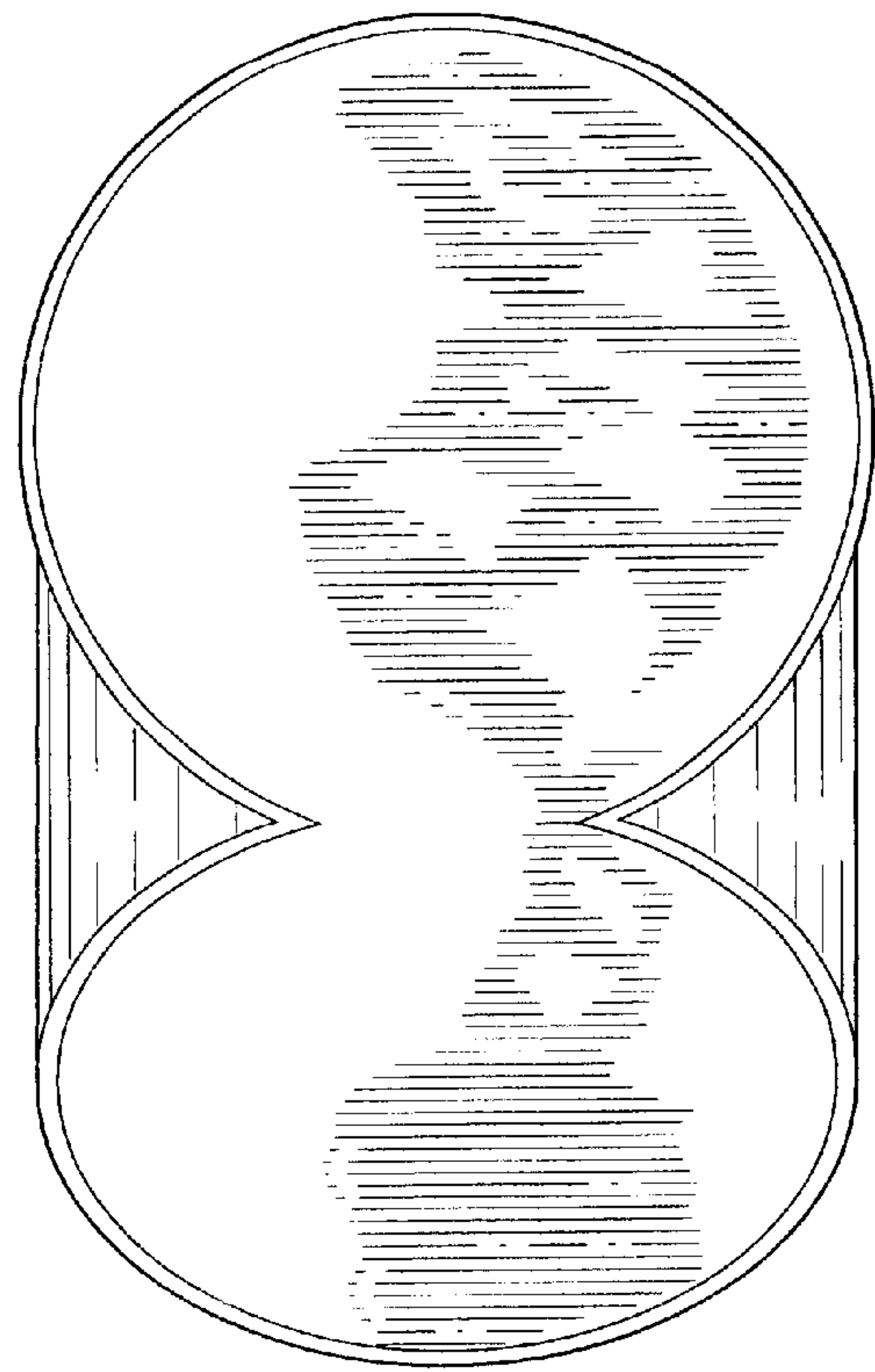


FIG. 7