



US00D521304S

(12) **United States Design Patent**
Mandel

(10) **Patent No.:** **US D521,304 S**

(45) **Date of Patent:** **** May 23, 2006**

(54) **LIQUOR DISPENSER**

(75) Inventor: **Joseph Mandel**, Brooklyn, NY (US)

(73) Assignee: **Godinger Silver Art Co., Ltd.**,
Ridgewood, NY (US)

(**) Term: **14 Years**

(21) Appl. No.: **29/220,678**

(22) Filed: **Jan. 4, 2005**

(51) **LOC (8) Cl.** **07-01**

(52) **U.S. Cl.** **D7/301; D7/306**

(58) **Field of Classification Search** D7/300,
D7/313, 306-308, 312, 301; D15/9.3; D20/5;
215/398, 10; 222/608, 82, 129.1-129.4
See application file for complete search history.

(56) **References Cited**

U.S. PATENT DOCUMENTS

D73,881 S	*	11/1927	Townsend	D15/9.3
D78,606 S	*	5/1929	Bauman	D15/9.3
D87,698 S	*	8/1932	Wolfe	D15/9.3
D89,588 S	*	4/1933	Griffin	D15/9.3
D89,754 S	*	5/1933	Griffin	D15/9.3
D104,489 S	*	5/1937	Adams	D15/9.3

D237,556 S	*	11/1975	Schlaifer	D7/301
D253,464 S	*	11/1979	Elder	D11/157
D304,247 S	*	10/1989	Ross et al.	D30/102
D304,665 S	*	11/1989	Start	D7/313
D311,841 S	*	11/1990	Start	D7/397
D347,177 S	*	5/1994	Peersmann	D10/6
D492,877 S	*	7/2004	Weseman	D7/301

* cited by examiner

Primary Examiner—M. N. Pandozzi

(74) *Attorney, Agent, or Firm*—Arthur Jacob

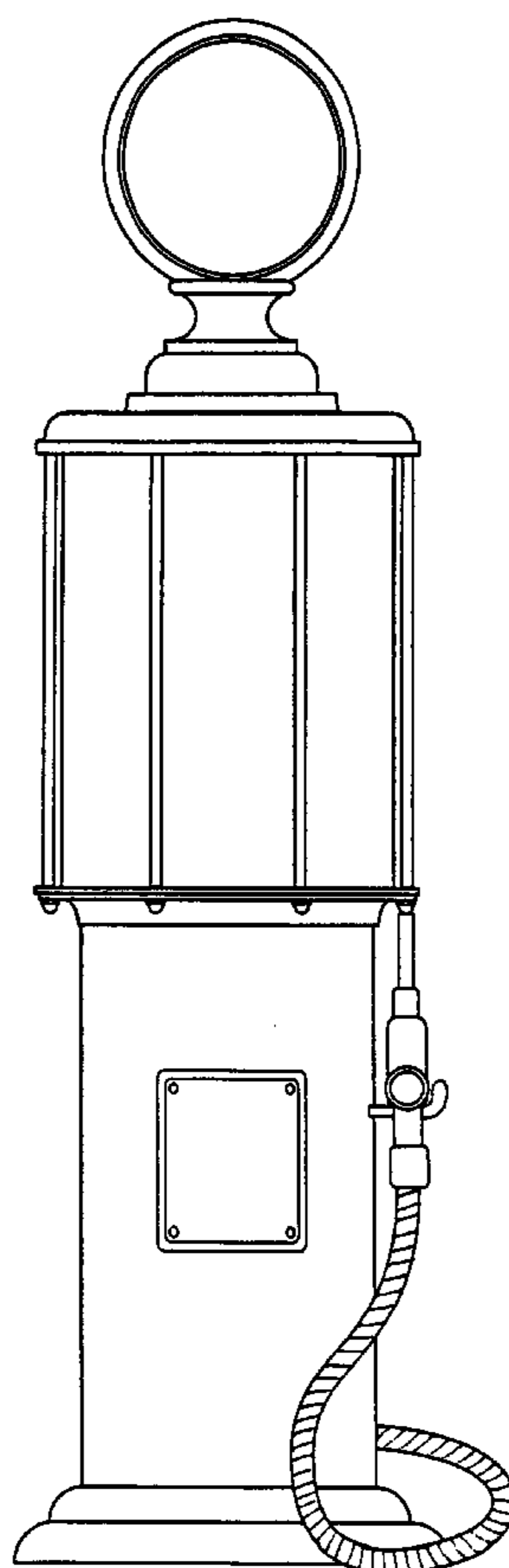
(57) **CLAIM**

The ornamental design for a liquor dispenser, as shown.

DESCRIPTION

FIG. 1 is a front elevational view of a liquor dispenser embodying my new design;
 FIG. 2 is a rear elevational view thereof;
 FIG. 3 is a side elevational view thereof, as viewed from the left of FIG. 1;
 FIG. 4 is a side elevational view thereof, as viewed from the right of FIG. 1;
 FIG. 5 is a top plan view thereof; and,
 FIG. 6 is a bottom plan view thereof.

1 Claim, 5 Drawing Sheets



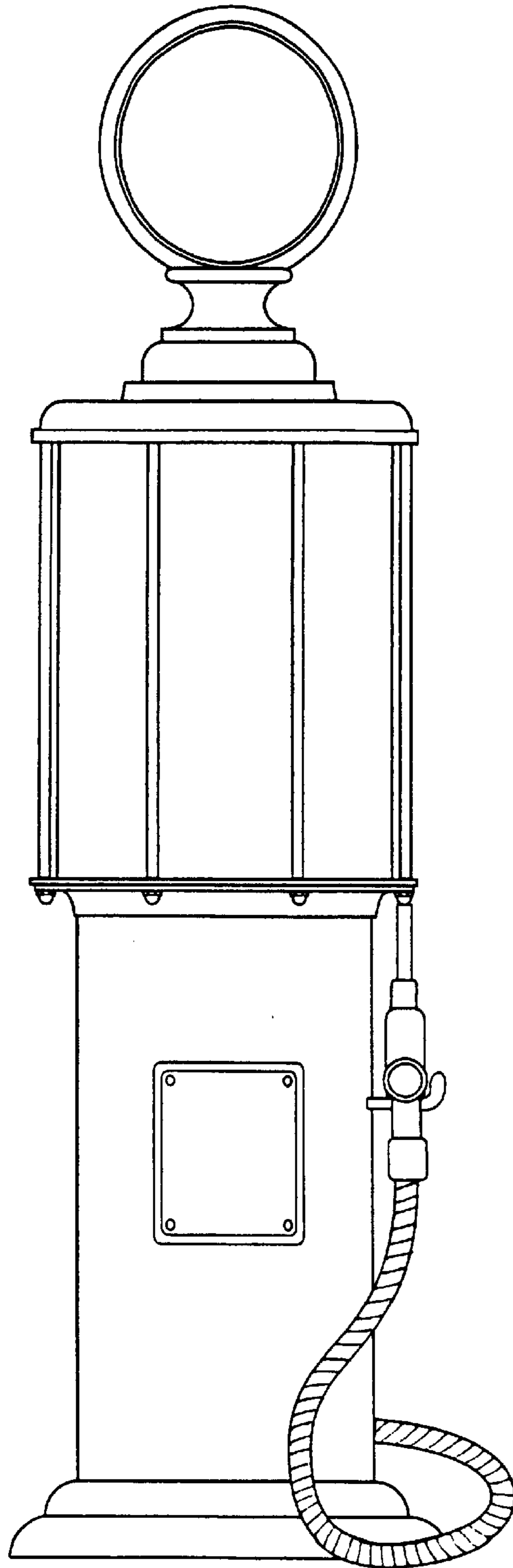


FIG. 1

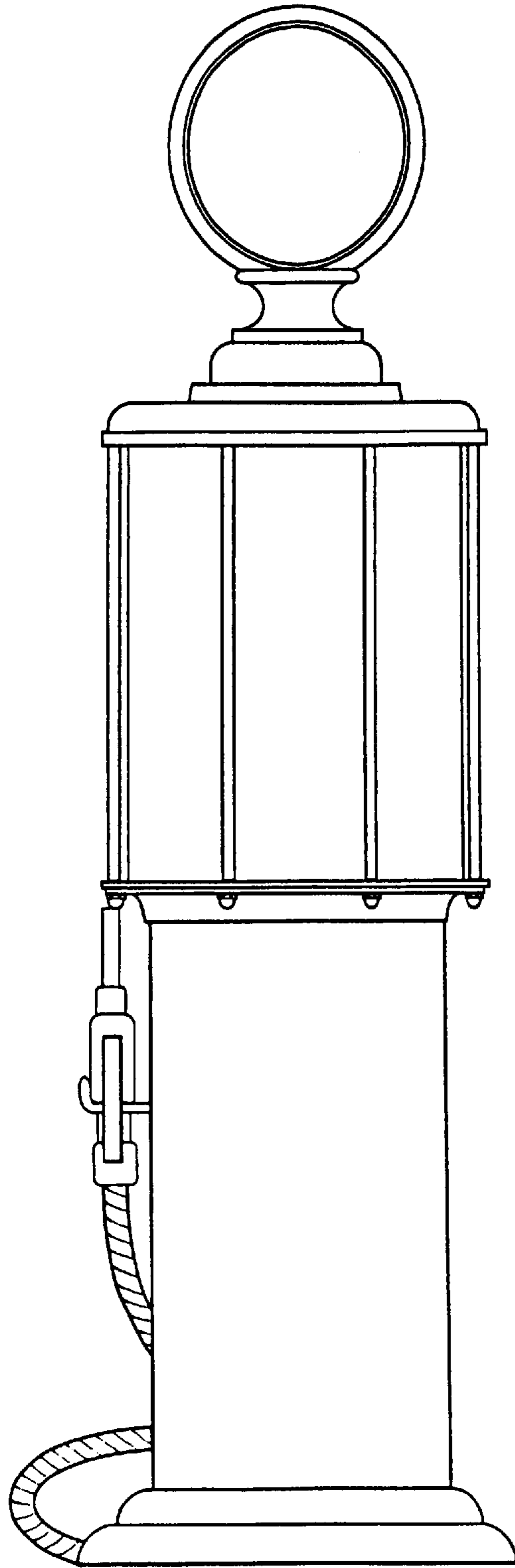


FIG. 2

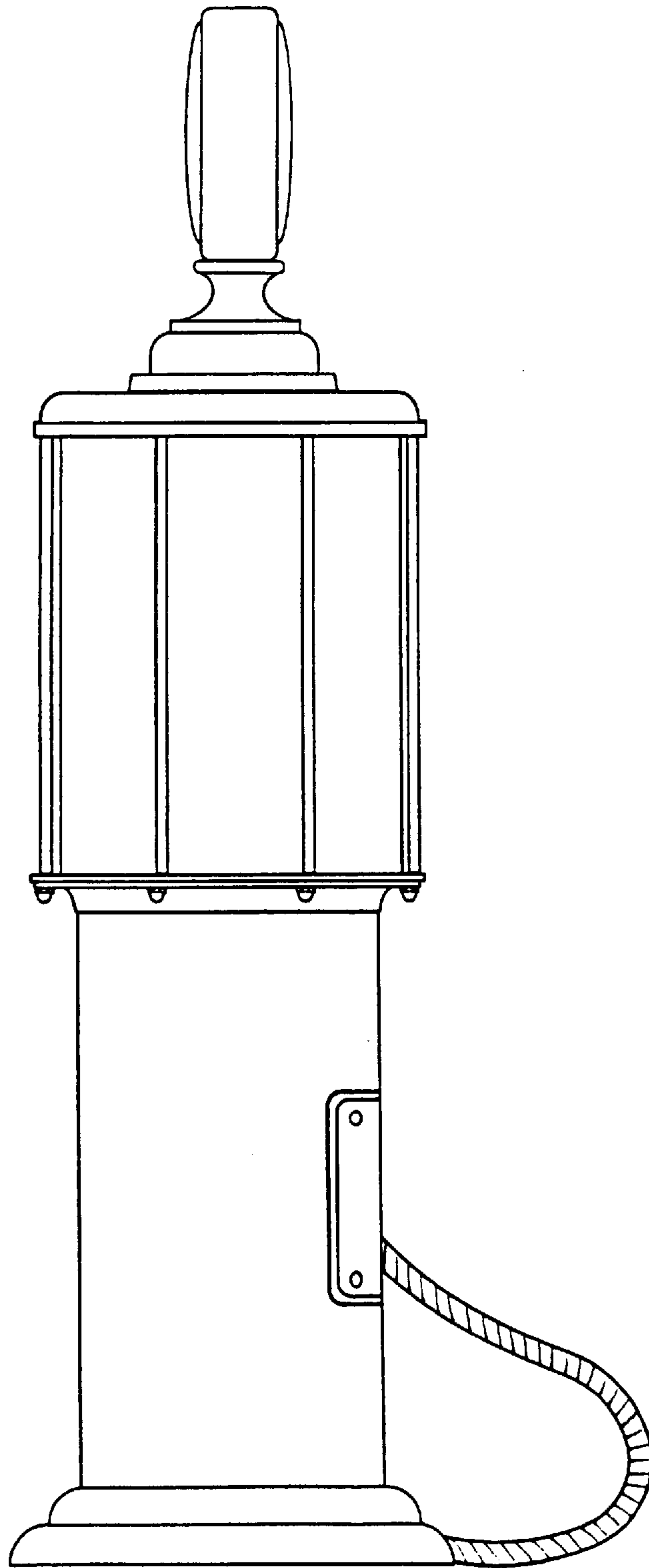


FIG. 3

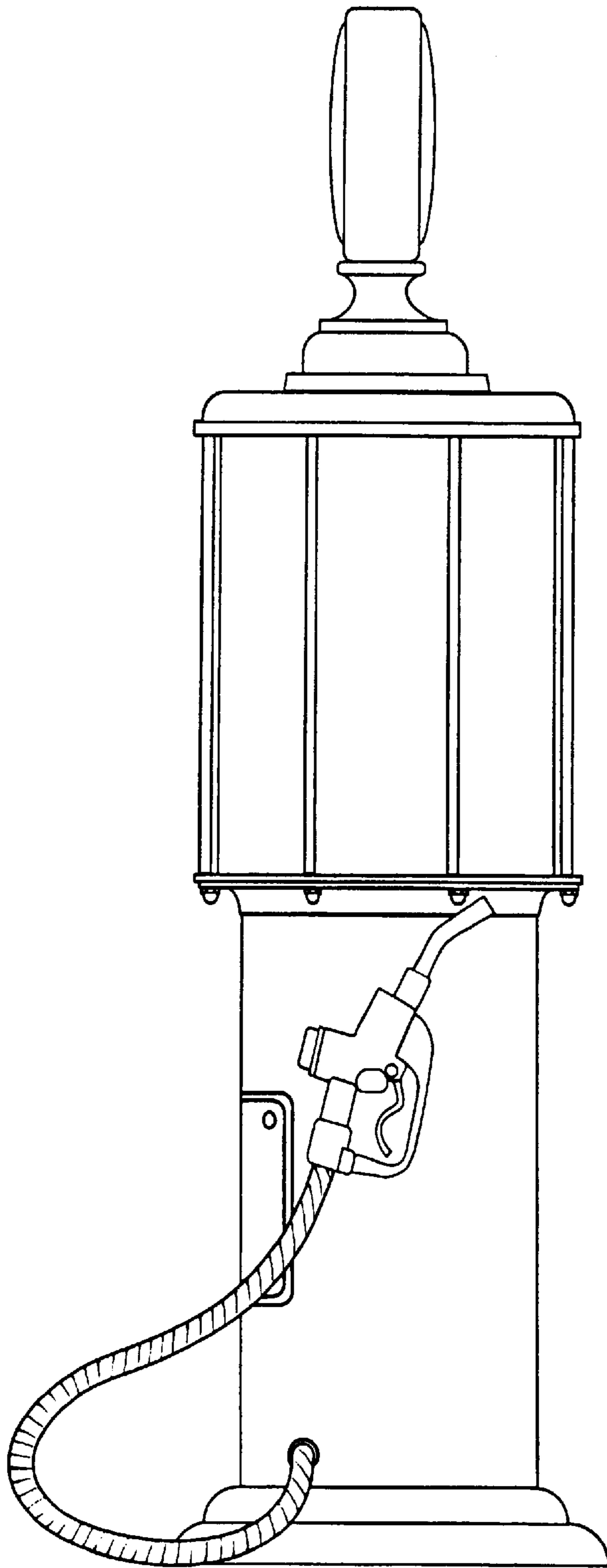


FIG. 4

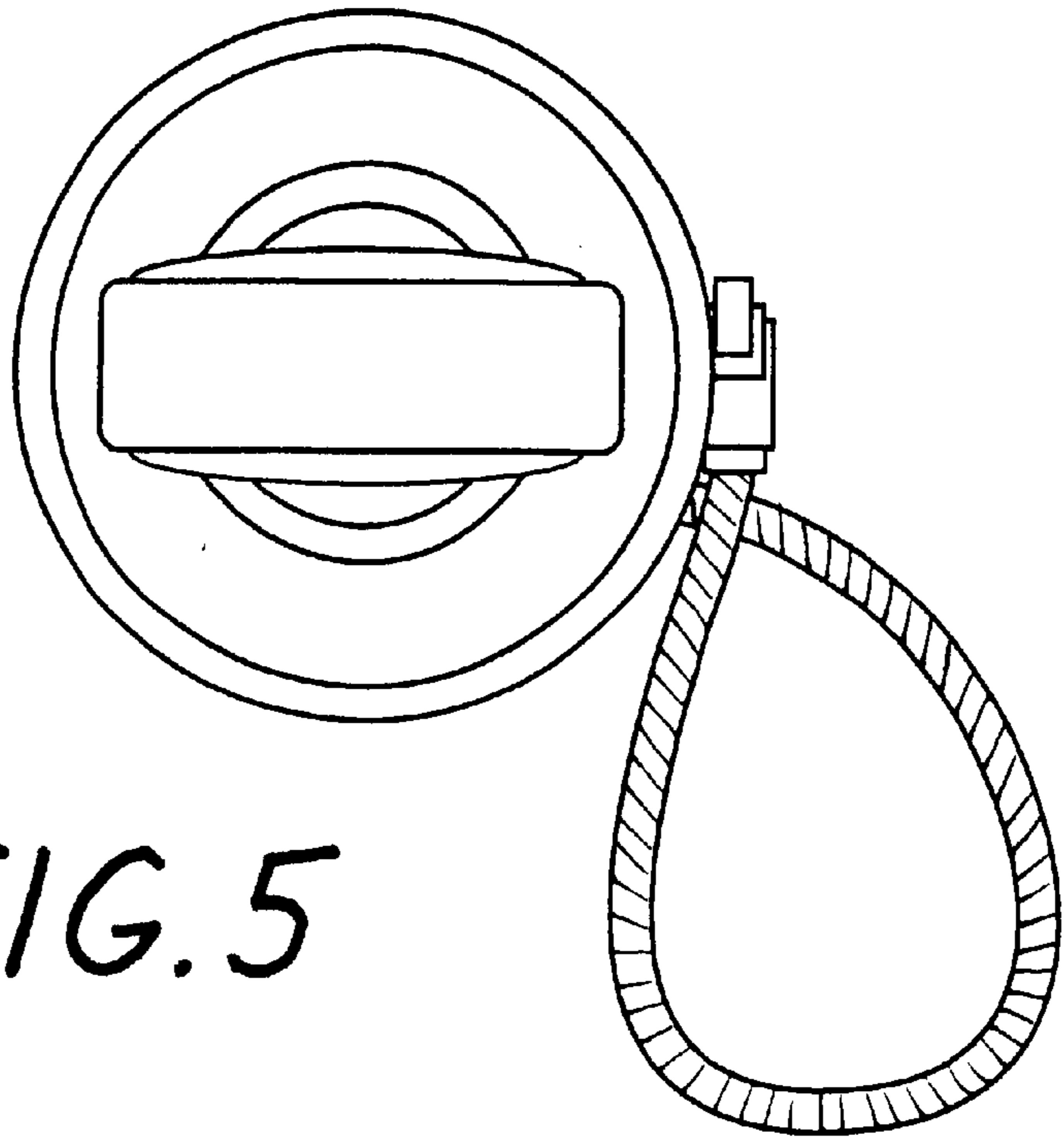


FIG. 5

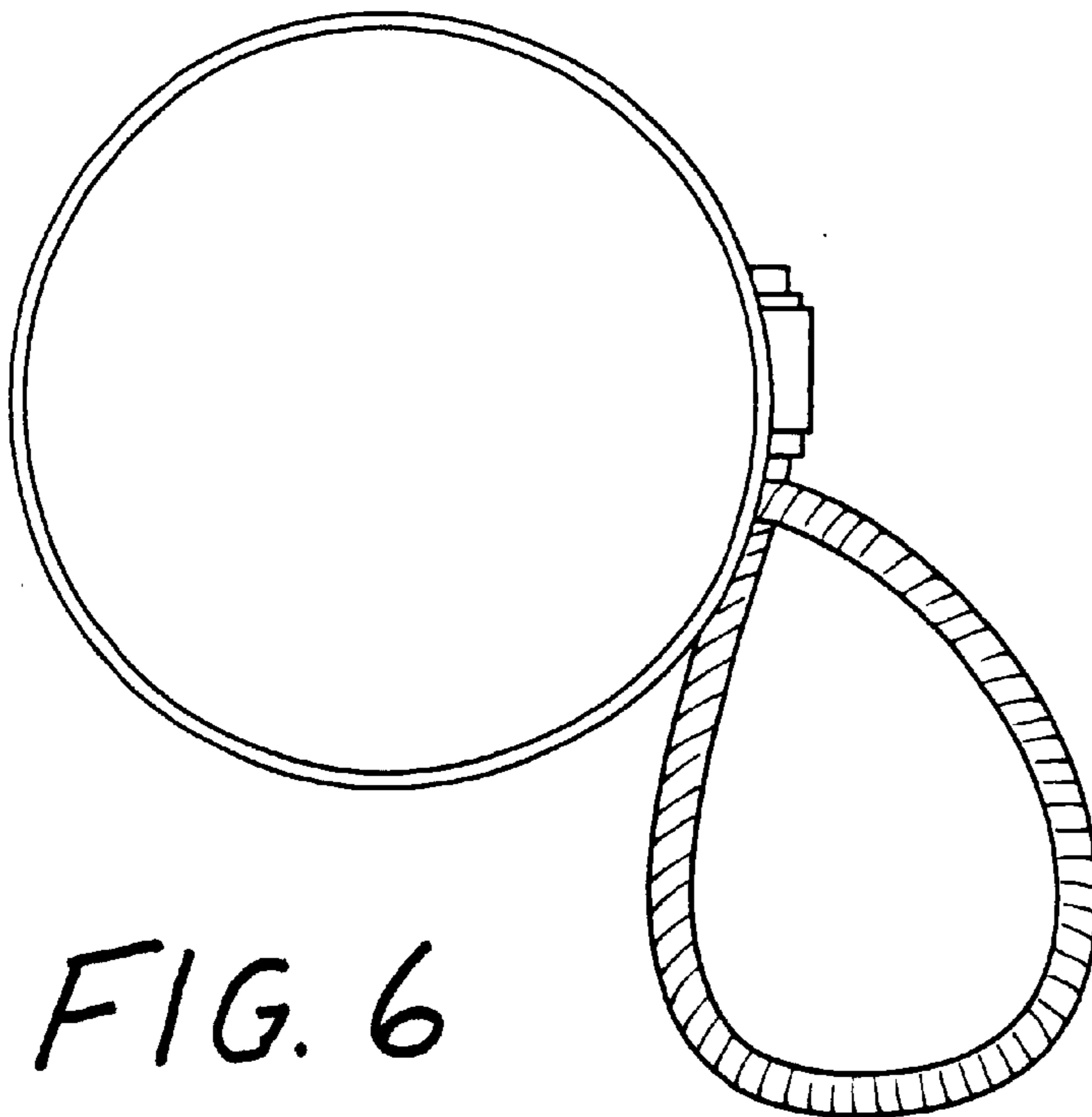


FIG. 6

UNITED STATES PATENT AND TRADEMARK OFFICE
CERTIFICATE OF CORRECTION

PATENT NO. : Des. 521,304 S
APPLICATION NO. : 29/220678
DATED : May 23, 2006
INVENTOR(S) : Joseph Mandel

Page 1 of 7

It is certified that error appears in the above-identified patent and that said Letters Patent is hereby corrected as shown below:

The title page showing an illustrative Figure should be deleted and substitute therefore the attached title page consisting of Figure 1.

The attached formal drawing containing FIGS. 1-6 is substituted for the FIGS. 1-6 printed in the patent.

Signed and Sealed this

Thirteenth Day of February, 2007

A handwritten signature in black ink on a dotted background. The signature reads "Jon W. Dudas" in a cursive style.

JON W. DUDAS

Director of the United States Patent and Trademark Office

(12) **United States Design Patent**
Mandel

(10) Patent No.: **US D521,304 S**
(45) Date of Patent: **** May 23, 2006**

(54) **LIQUOR DISPENSER**

(75) Inventor: **Joseph Mandel, Brooklyn, NY (US)**

(73) Assignee: **Gadinger Silver Art Co., Ltd.,
Ridgewood, NY (US)**

(**) Term: **14 Years**

(21) Appl. No.: **29/220,678**

(22) Filed: **Jan. 4, 2005**

(51) LOC (8) Cl. **07-01**

(52) U.S. Cl. **D7/301; D7/306**

(58) Field of Classification Search: **D7/300,
D7/313, 306-308, 312, 301; D15/9.3; D20/5;
215/398, 10; 222/608, 82, 129.1-129.4**
See application file for complete search history.

(56) **References Cited**

U.S. PATENT DOCUMENTS

D73,881 S	*	11/1927	Townsend	D15/9.3
D78,606 S	*	5/1929	Bauman	D15/9.3
D87,698 S	*	8/1932	Wolfe	D15/9.3
D89,588 S	*	4/1933	Griffin	D15/9.3
D89,754 S	*	5/1933	Griffin	D15/9.3
D104,489 S	*	5/1937	Adams	D15/9.3

D237,556 S	*	11/1975	Schlater	D7/301
D253,464 S	*	11/1979	Elder	D11/157
D304,247 S	*	10/1989	Ross et al.	D30/102
D304,665 S	*	11/1989	Start	D7/313
D311,841 S	*	11/1990	Start	D7/397
D347,177 S	*	5/1994	Peersman	D10/6
D492,877 S	*	7/2004	Weseman	D7/301

* cited by examiner

Primary Examiner—**M. N. Pandorzi**

(74) Attorney, Agent, or Firm—**Arthur Jacob**

(57) **CLAIM**

The ornamental design for a liquor dispenser, as shown.

DESCRIPTION

FIG. 1 is a front elevational view of a liquor dispenser embodying my new design;

FIG. 2 is a rear elevational view thereof;

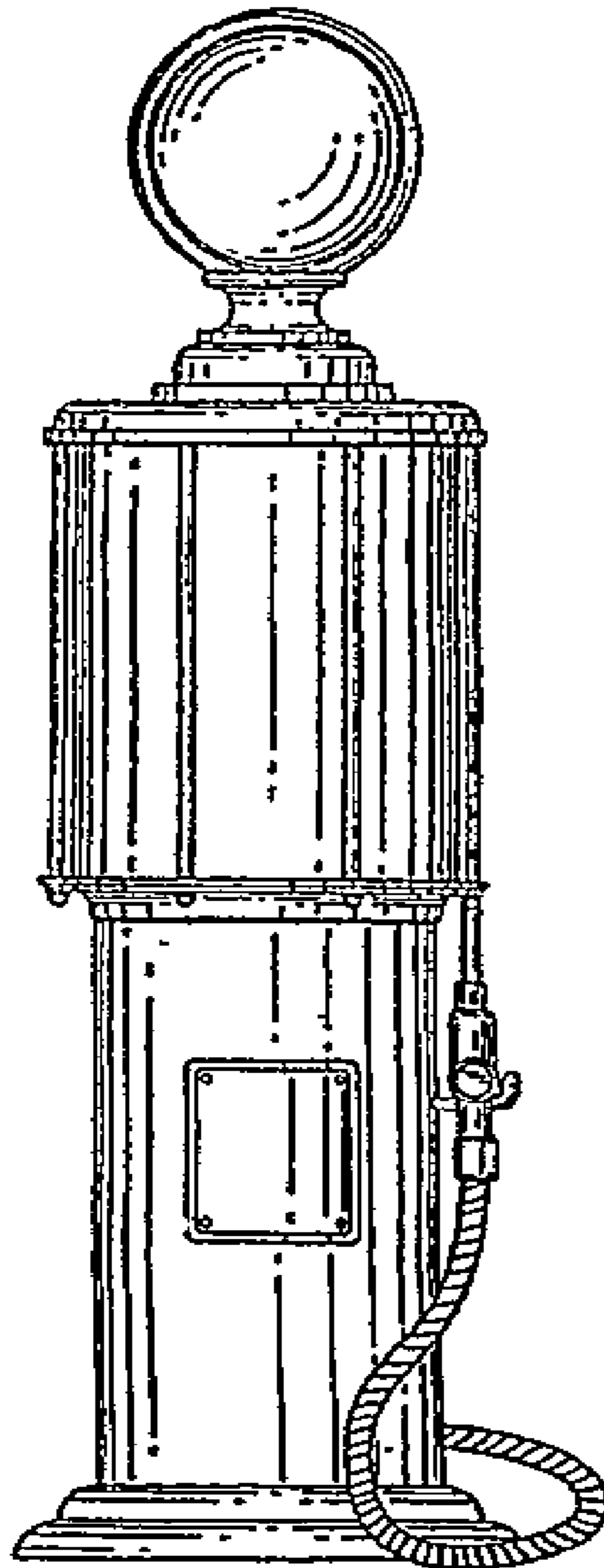
FIG. 3 is a side elevational view thereof, as viewed from the left of FIG. 1;

FIG. 4 is a side elevational view thereof, as viewed from the right of FIG. 1;

FIG. 5 is a top plan view thereof; and,

FIG. 6 is a bottom plan view thereof.

1 Claim, 5 Drawing Sheets



U.S. Patent

May 23, 2005

Sheet 1 of 5

D521,304 S

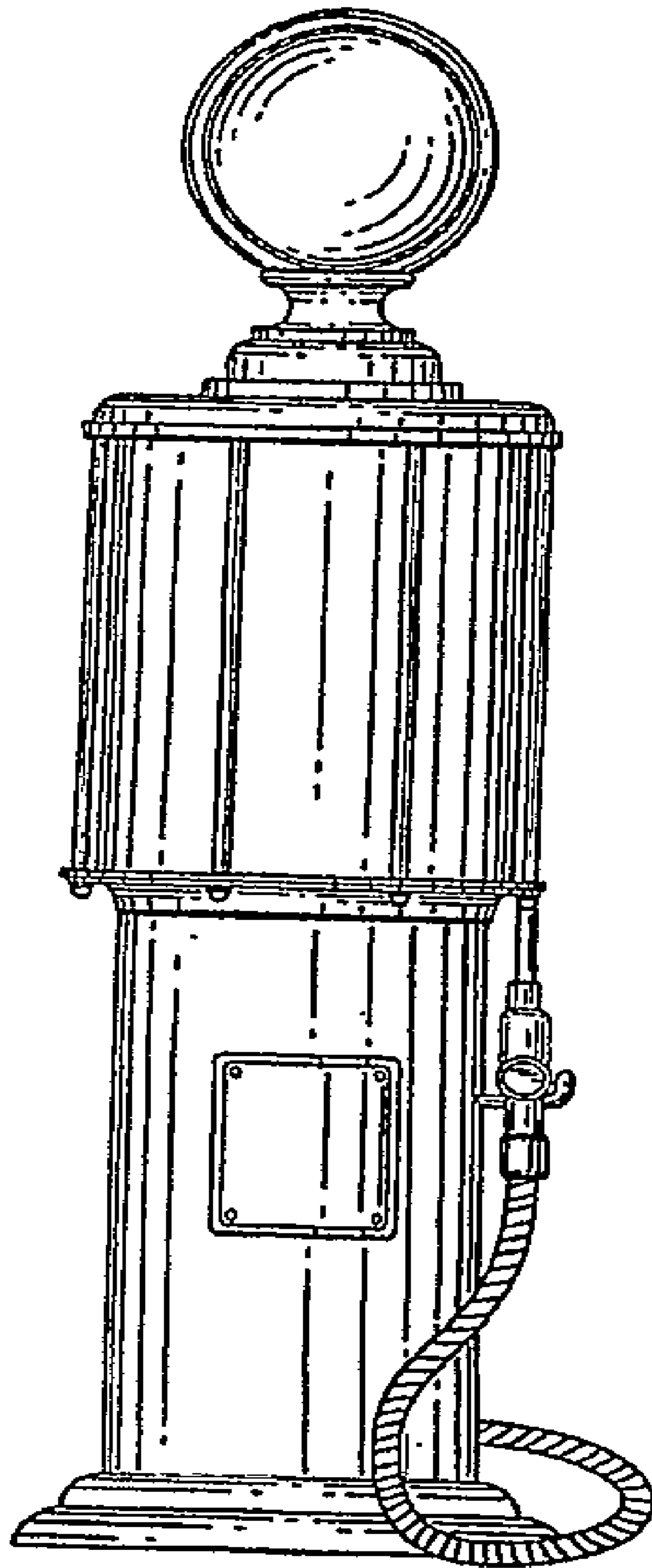


FIG. 1

U.S. Patent

May 23, 2005

Sheet 2 of 5

D521,304 S

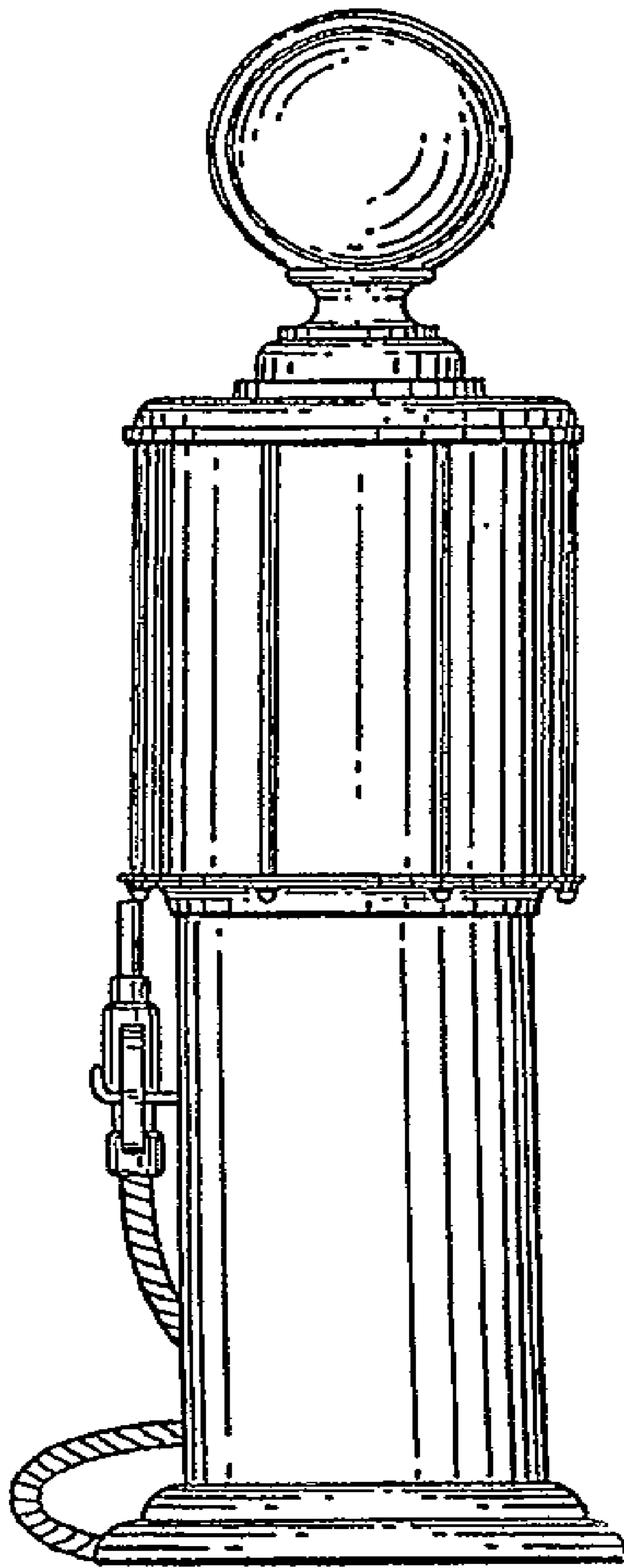


FIG. 2

U.S. Patent

May 23, 2005

Sheet 3 of 5

D521,304 S

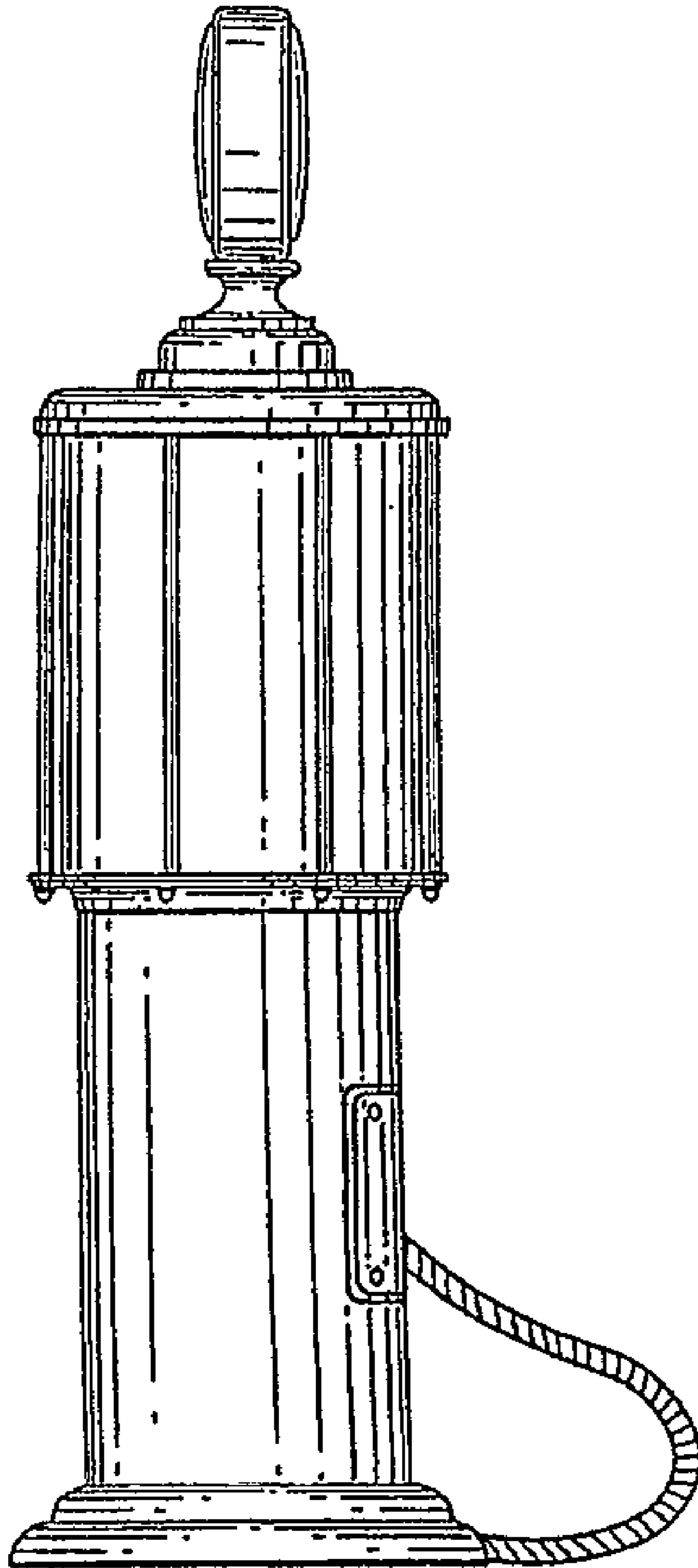


FIG. 3

U.S. Patent

May 23, 2005

Sheet 4 of 5

D521,304 S

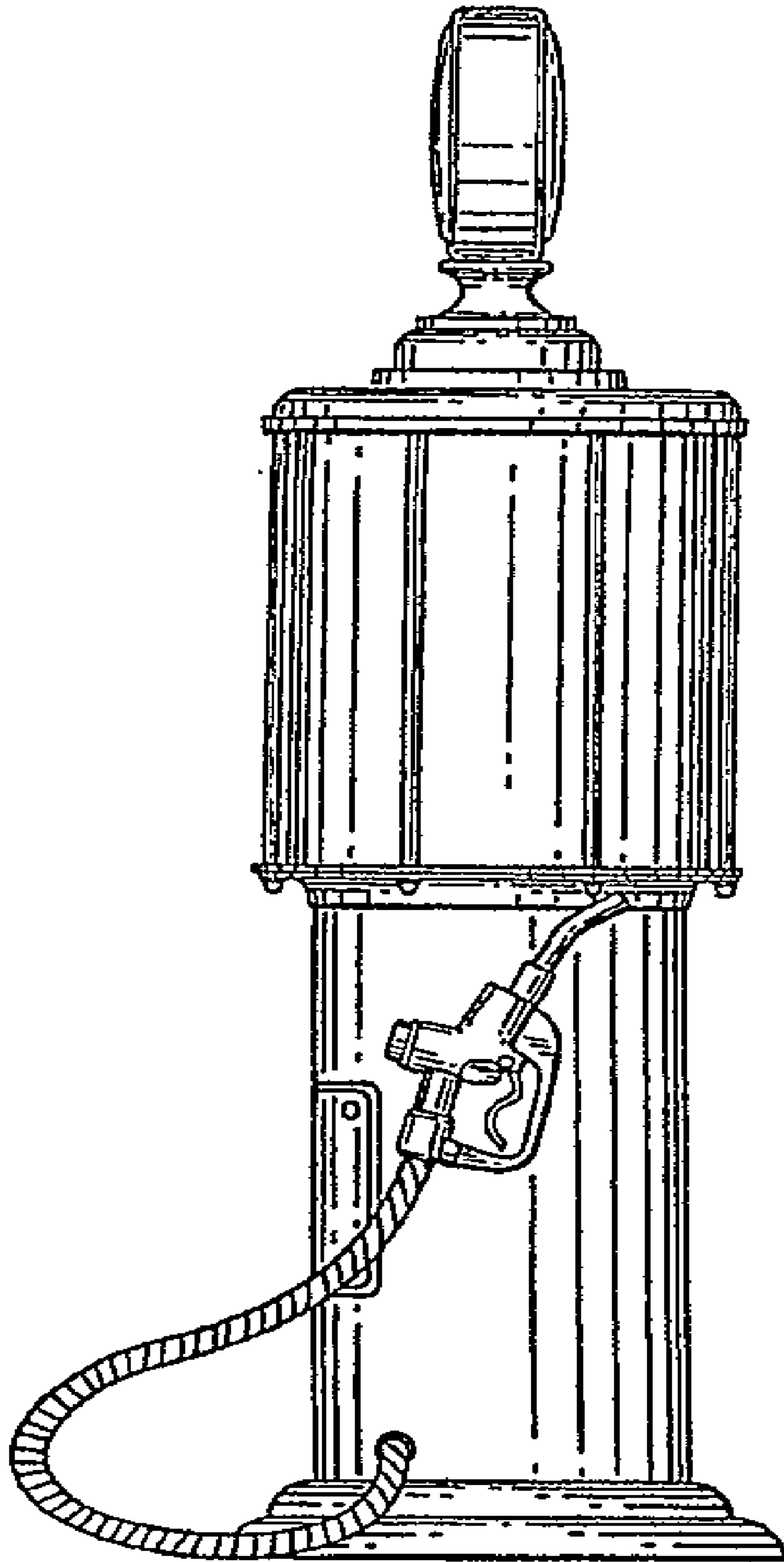


FIG. 4

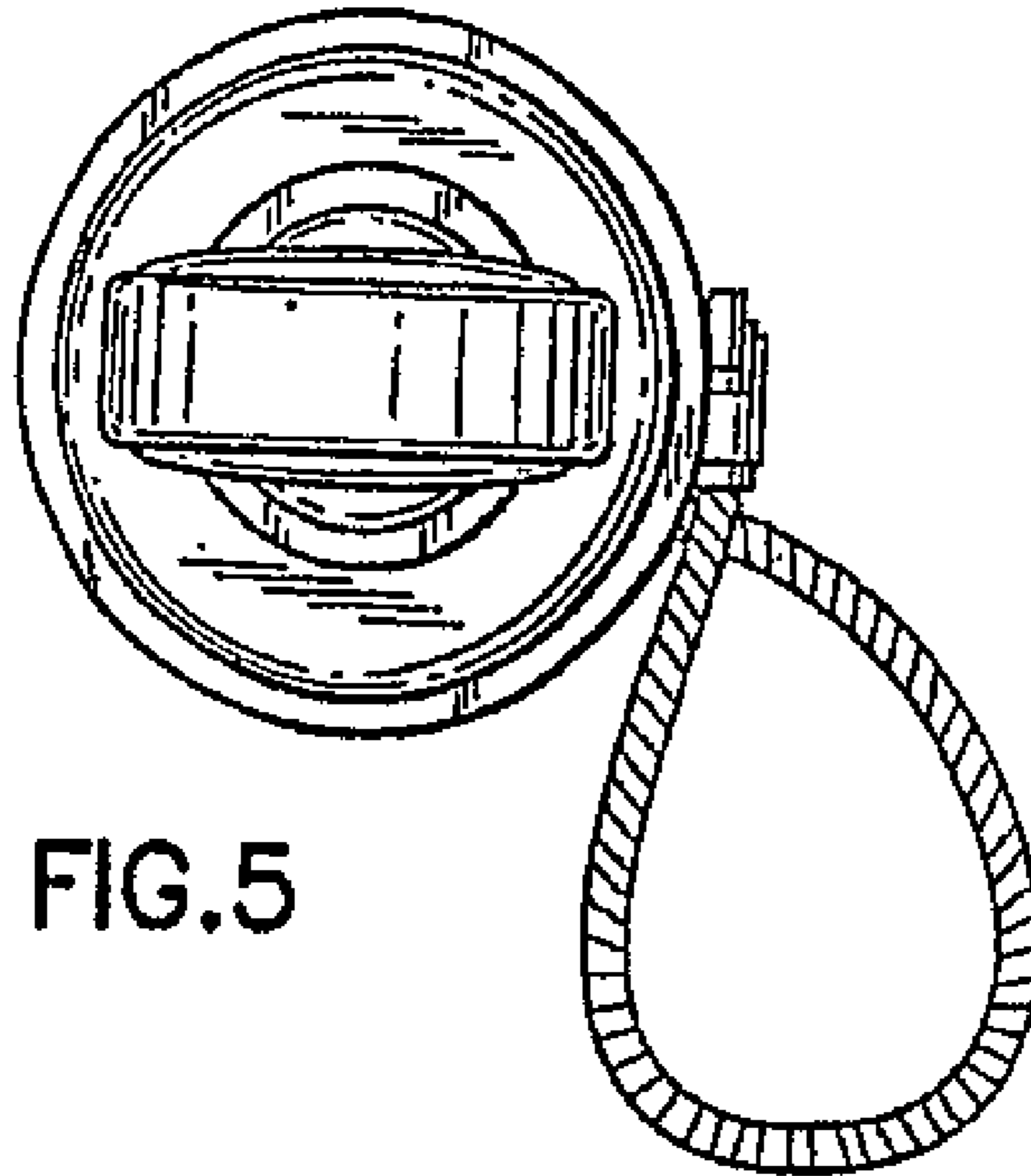


FIG. 5

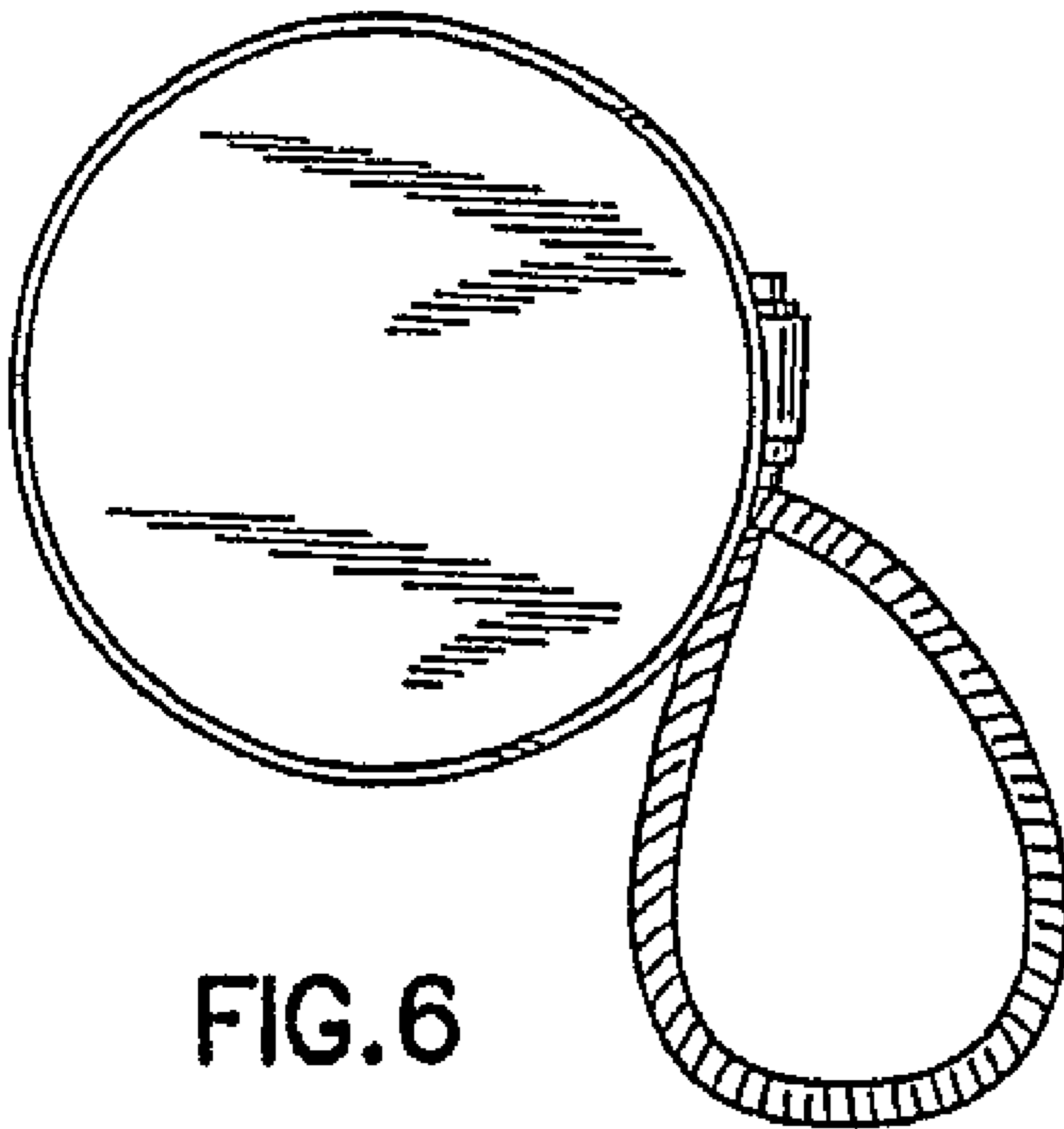


FIG. 6