



US00D521303S

(12) **United States Design Patent**
Yu

(10) **Patent No.:** **US D521,303 S**

(45) **Date of Patent:** **** May 23, 2006**

(54) **STORAGE RACK**

(76) Inventor: **Jackson Yu**, 2F, No. 19, Fu-Hsing-I Rd., Pei-Tou Dist., Taipei City (TW)

(**) Term: **14 Years**

(21) Appl. No.: **29/233,944**

(22) Filed: **Jul. 13, 2005**

(30) **Foreign Application Priority Data**

Jan. 19, 2005 (TW) 94300301

(51) **LOC (8) Cl.** **06-04**

(52) **U.S. Cl.** **D6/630; D6/465**

(58) **Field of Classification Search** D6/407,
D6/629, 630, 466, 468, 464, 465; 312/9.1,
312/9.9, 9.47, 9.48, 9.51, 9.52, 9.64
See application file for complete search history.

(56) **References Cited**

U.S. PATENT DOCUMENTS

- D174,532 S * 4/1955 Duchin D6/464
- D343,533 S * 1/1994 David D6/407
- D352,848 S * 11/1994 Dardashti D6/465

- D370,137 S * 5/1996 David D6/407
- D380,925 S * 7/1997 Chu 6/630
- D381,548 S * 7/1997 Goodman D6/630
- D394,980 S * 6/1998 Goodman D6/630
- D429,938 S * 8/2000 Allen D6/566
- D430,443 S * 9/2000 Dardashti D6/630

* cited by examiner

Primary Examiner—Cathron C. Brooks

(74) *Attorney, Agent, or Firm*—Banner & Witcoff, Ltd.

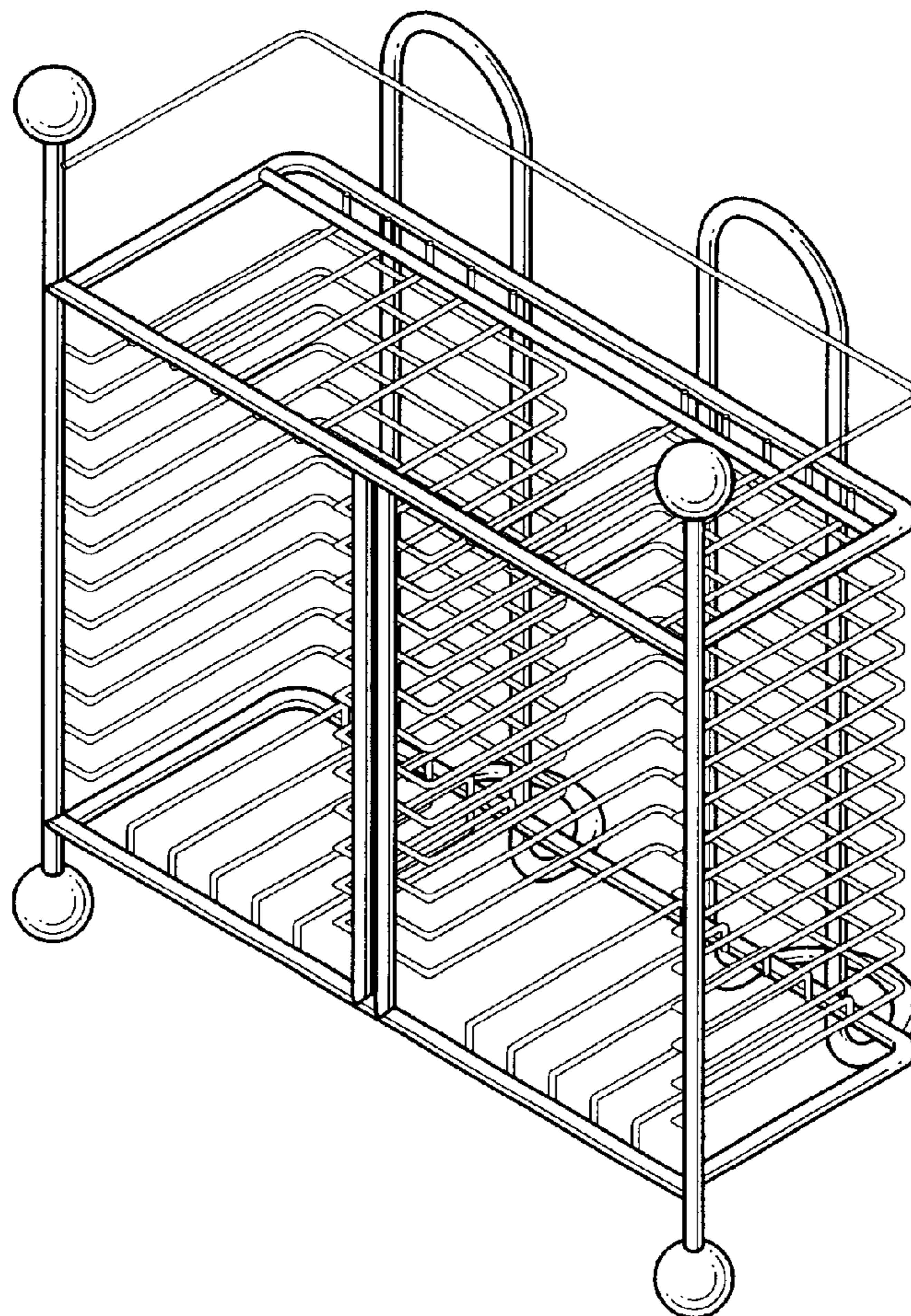
(57) **CLAIM**

The ornamental design for storage rack, as shown and described.

DESCRIPTION

FIG. 1 is a perspective view of storage rack showing my new design;
 FIG. 2 is a front elevational view thereof;
 FIG. 3 is a rear elevational view thereof;
 FIG. 4 is a left side elevational view thereof;
 FIG. 5 is a right side elevational view thereof;
 FIG. 6 is a top plan view thereof; and,
 FIG. 7 is a bottom plan view thereof.

1 Claim, 4 Drawing Sheets



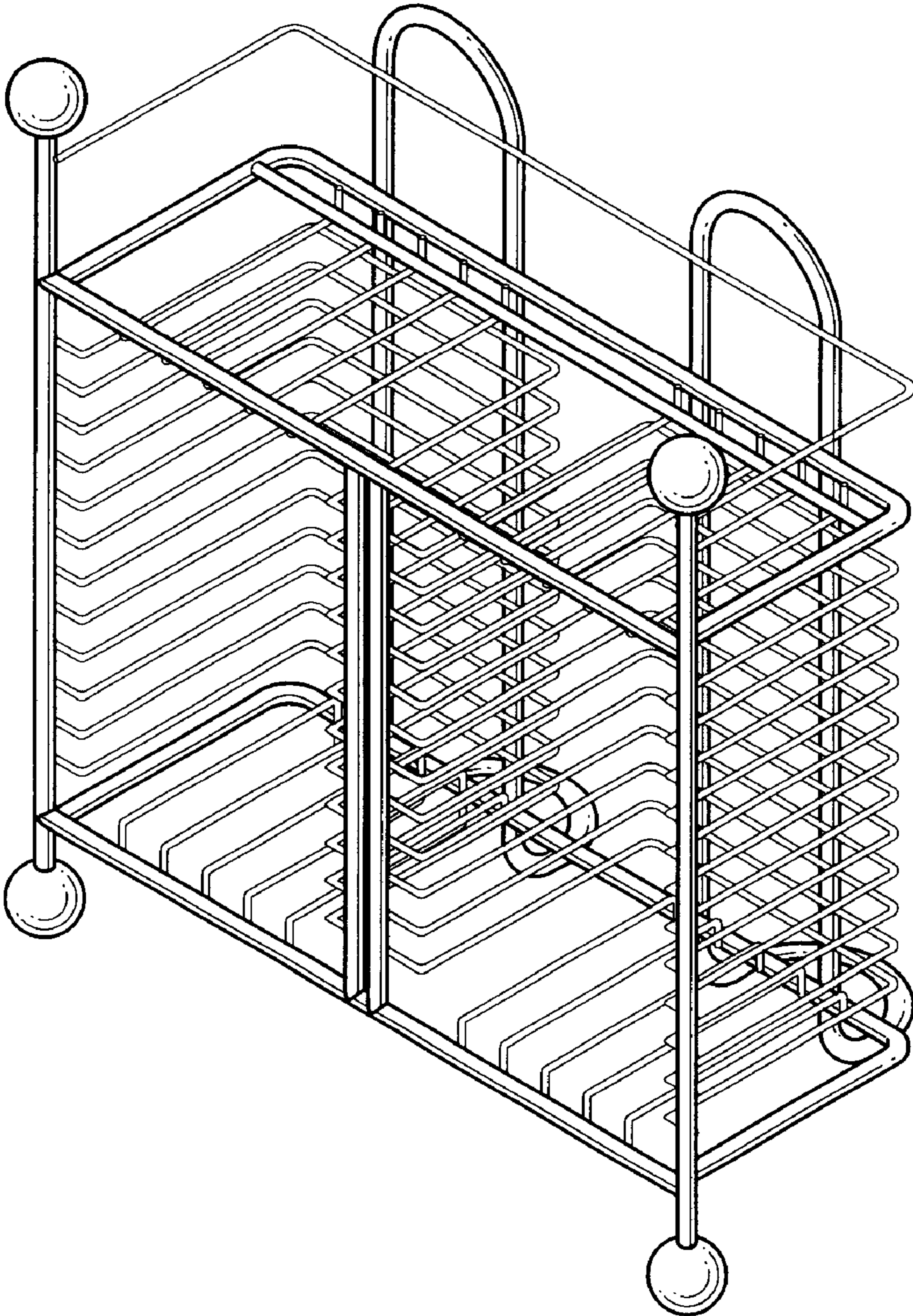


FIG. 1

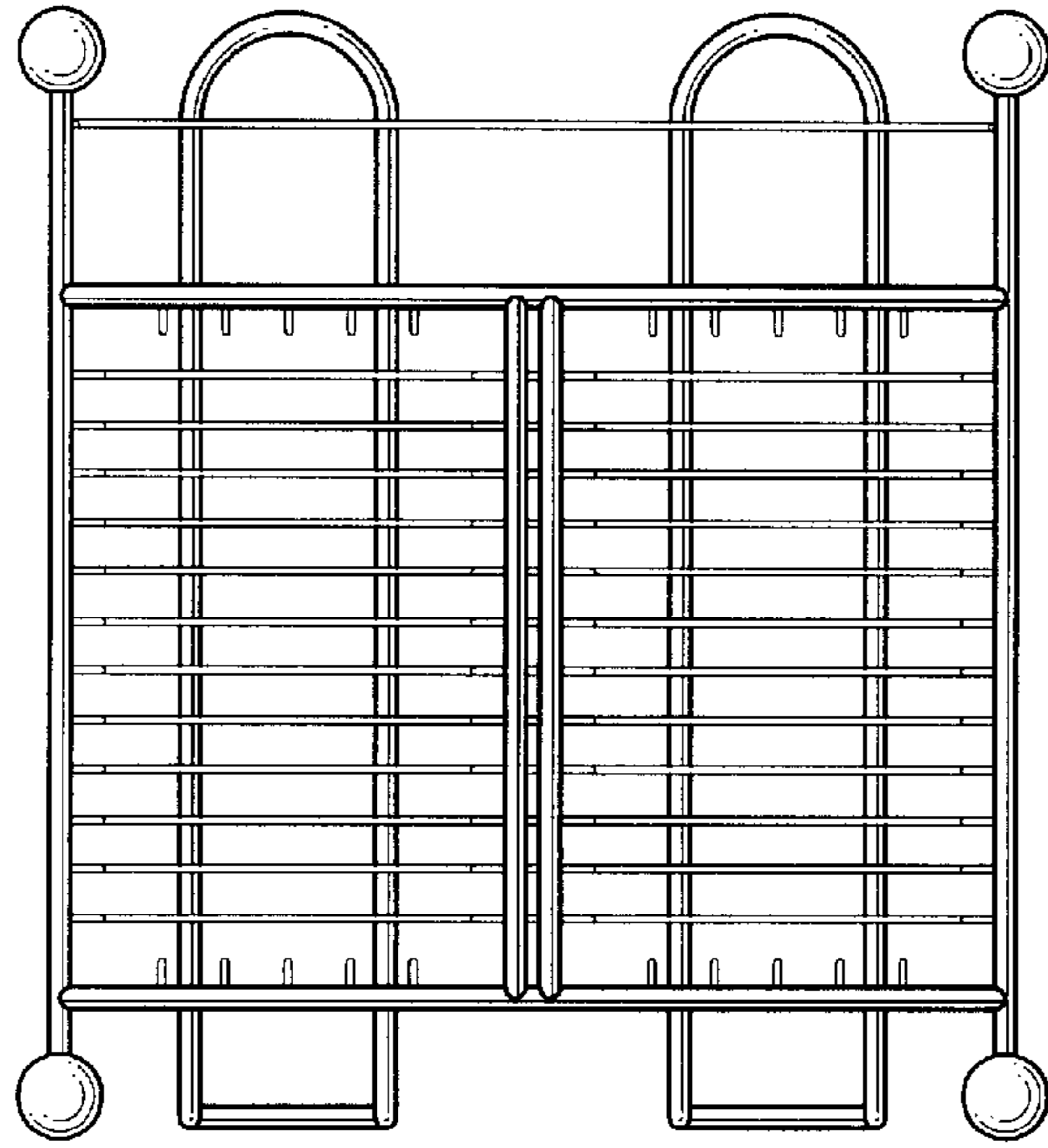


FIG. 2

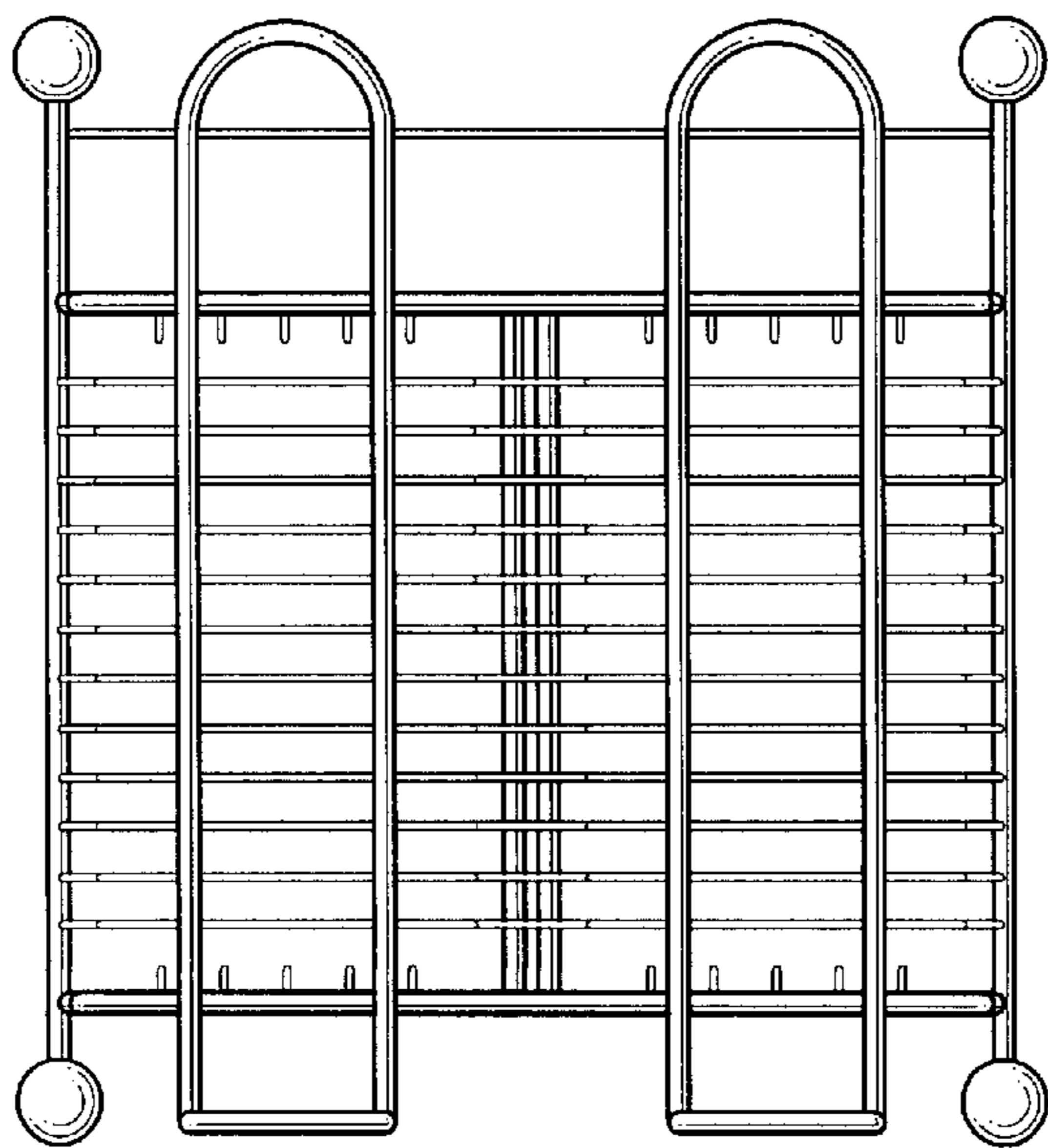


FIG. 3

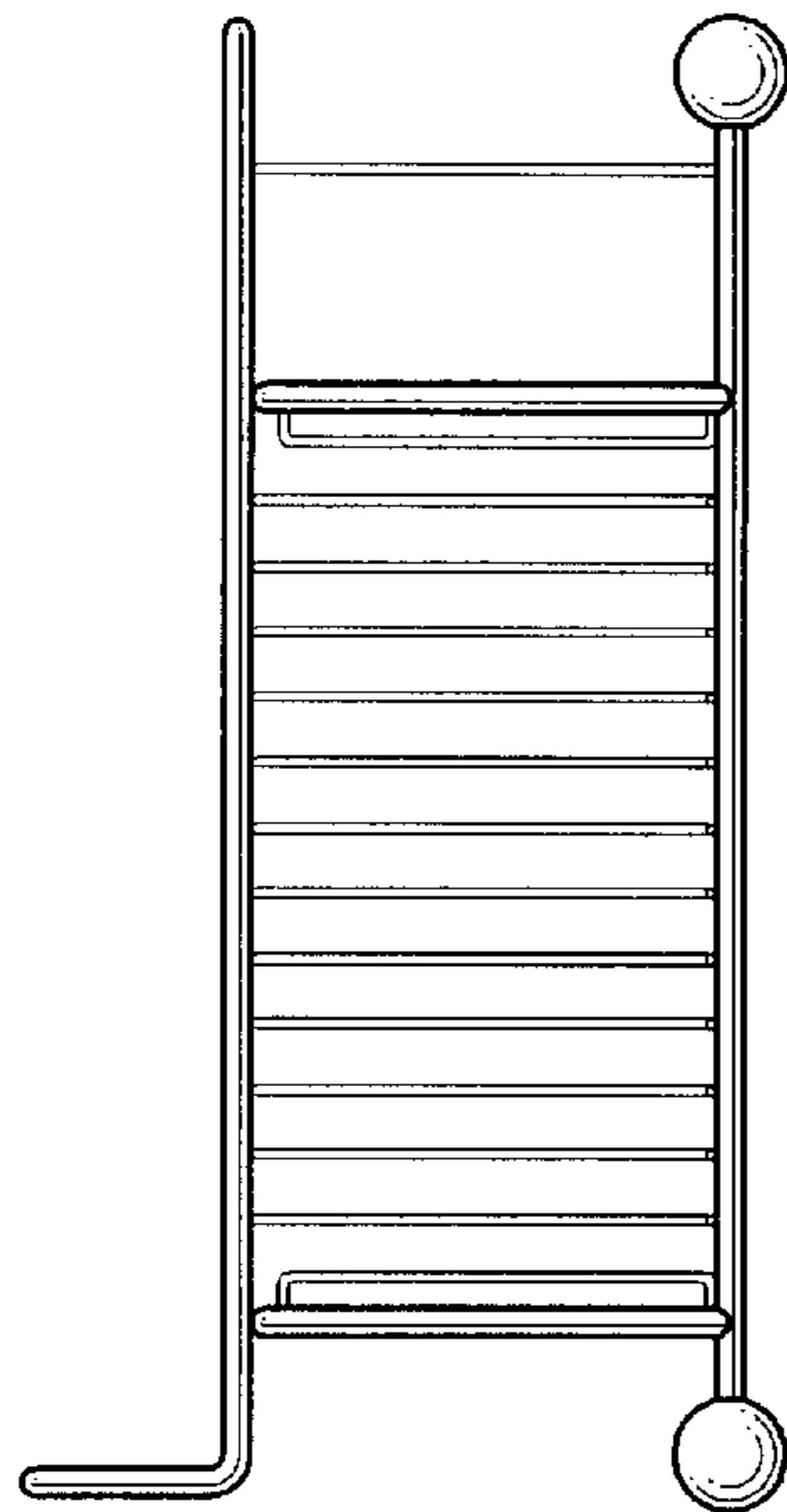


FIG. 4

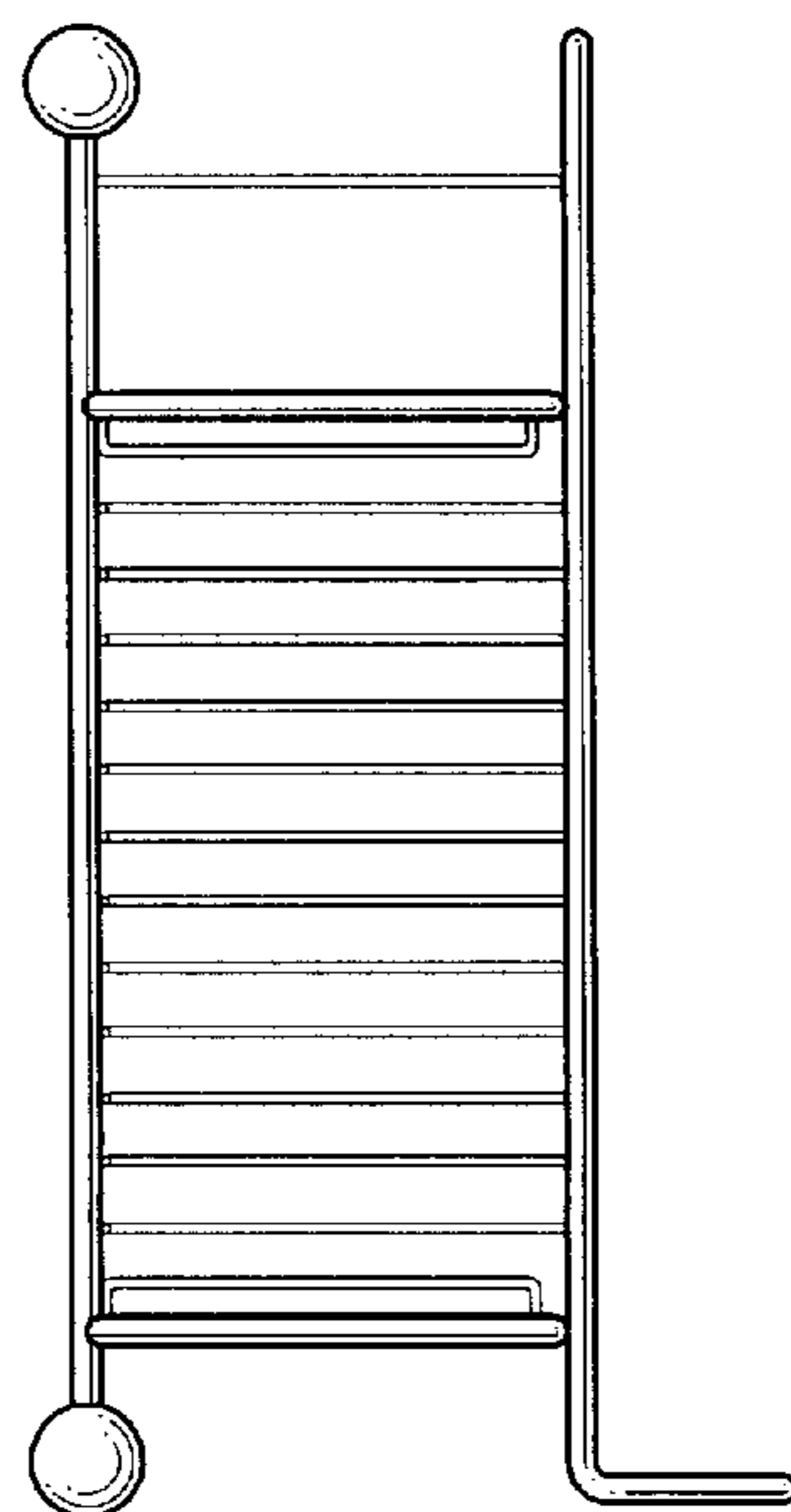


FIG. 5

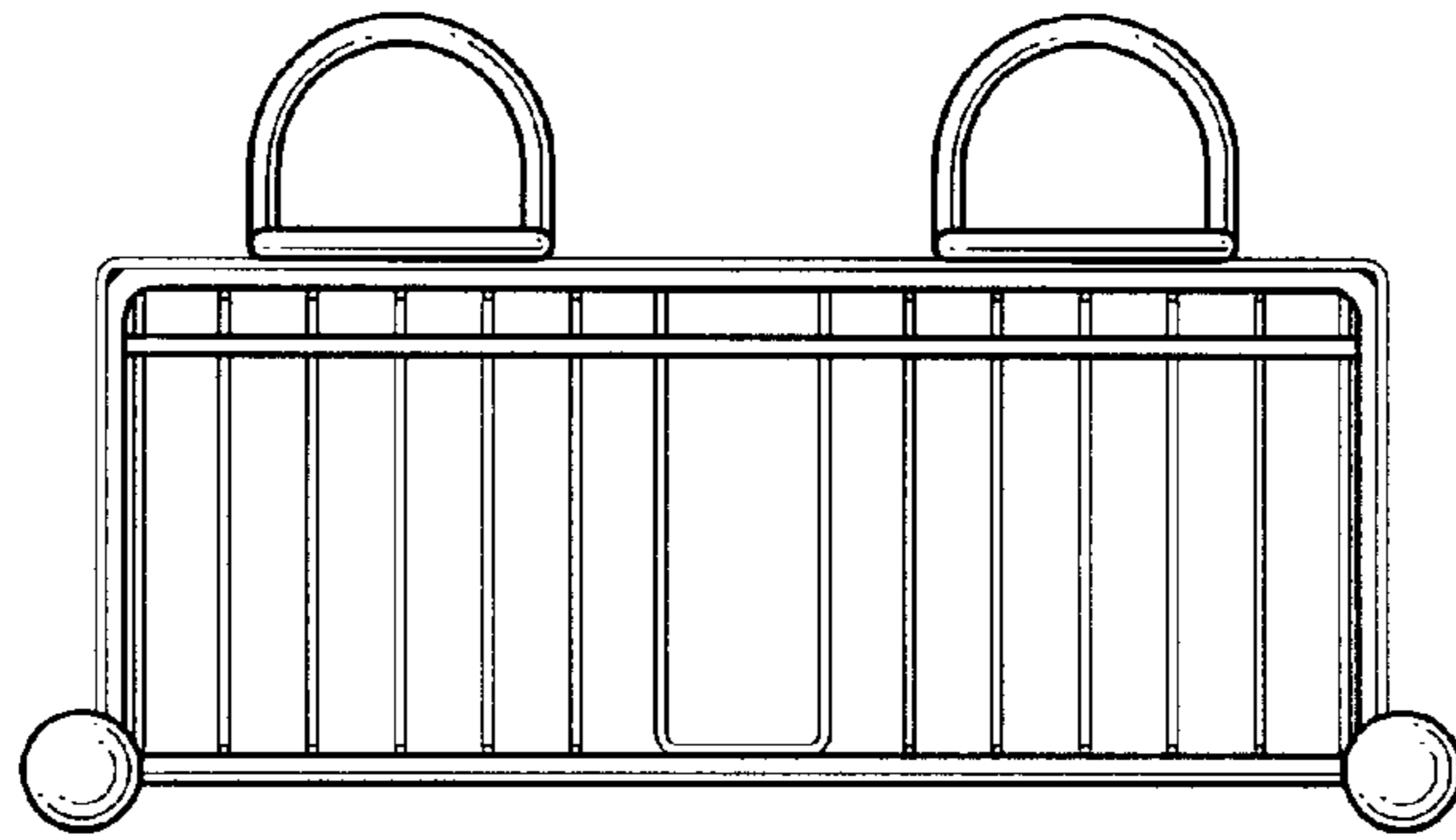


FIG. 6

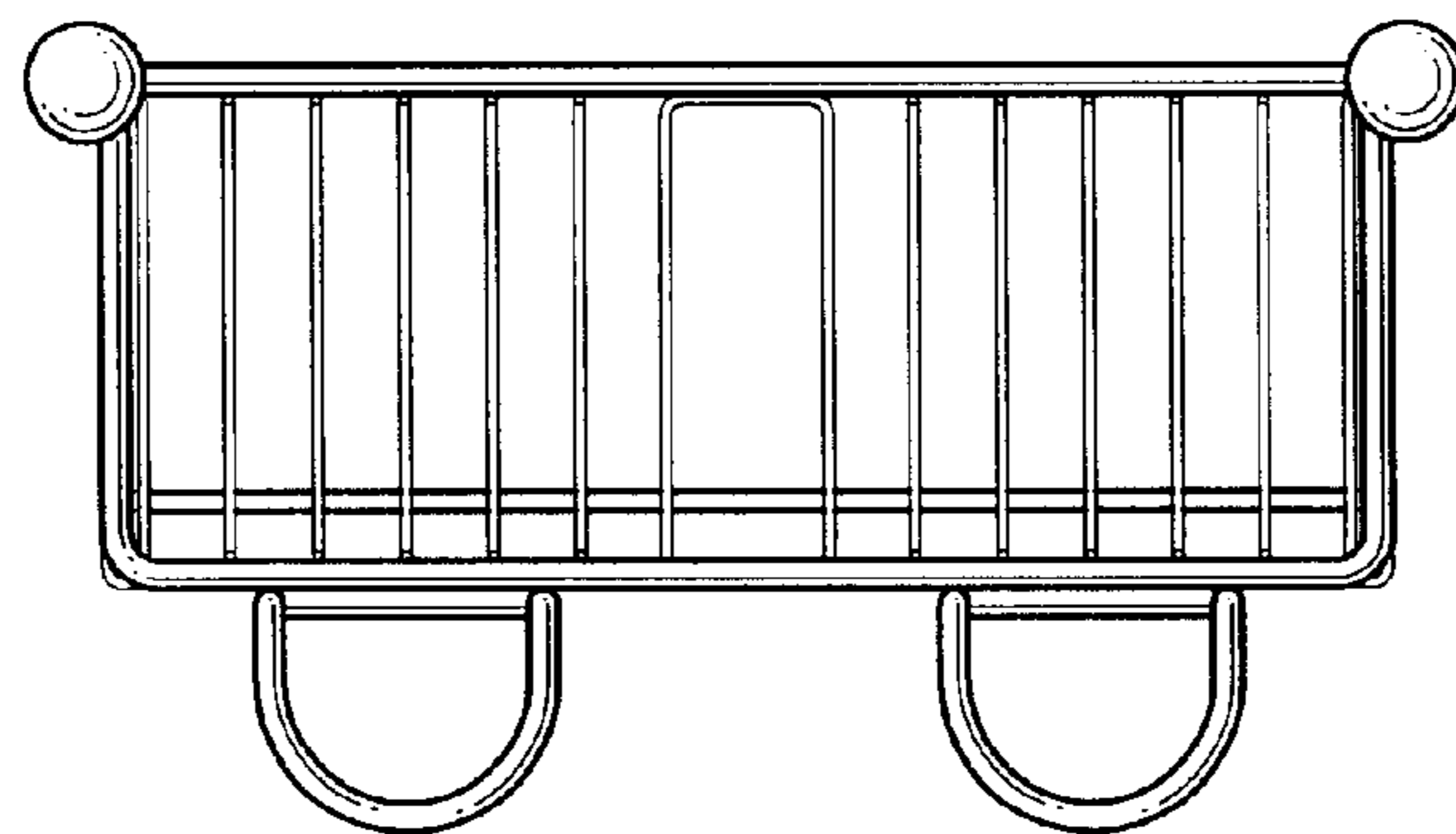


FIG. 7