



US00D521296S

(12) **United States Design Patent**
Counard

(10) **Patent No.:** **US D521,296 S**

(45) **Date of Patent:** **** May 23, 2006**

(54) **FOOTBALL WINDOW SHADE OR COVERING**

(75) Inventor: **Kerry J. Counard**, De Pere, WI (US)

(73) Assignee: **Sports Fields Shades, LLC**, De Pere, WI (US)

(**) Term: **14 Years**

(21) Appl. No.: **29/227,050**

(22) Filed: **Apr. 6, 2005**

Related U.S. Application Data

(62) Division of application No. 29/210,267, filed on Jul. 29, 2004.

(51) **LOC (8) Cl.** **06-10**

(52) **U.S. Cl.** **D6/576**

(58) **Field of Classification Search** D6/575-576;
D5/20; D21/339; 160/84.01, 84.04, 238
See application file for complete search history.

(56) **References Cited**

U.S. PATENT DOCUMENTS

D59,820 S	11/1921	Cotter	
D89,205 S	2/1933	Nunn	
3,205,118 A	9/1965	Guffan	
3,580,573 A *	5/1971	Noonan et al.	473/470
D321,910 S *	11/1991	Brady	D19/97
D322,527 S	12/1991	Barfield	
D373,148 S *	8/1996	Crow et al.	D21/357
D384,111 S *	9/1997	Dougan	D21/357
5,664,780 A	9/1997	Bricker	
D488,335 S *	4/2004	Kerr	D6/511

* cited by examiner

Primary Examiner—Holly H. Baynham
(74) *Attorney, Agent, or Firm*—Ryan Kromholz & Manion, S.C.

(57) **CLAIM**

I claim the ornamental design for a football window shade or covering, as shown and described.

DESCRIPTION

FIG. 1 is a front view of a football window shade or covering according to the present invention in a closed position.

FIG. 2 is a perspective view of a football window shade or covering according to the present invention in a closed position.

FIG. 3 is a side view of the football window shade or covering of FIG. 2.

FIG. 4 is a top view of the football window shade or covering of FIG. 2.

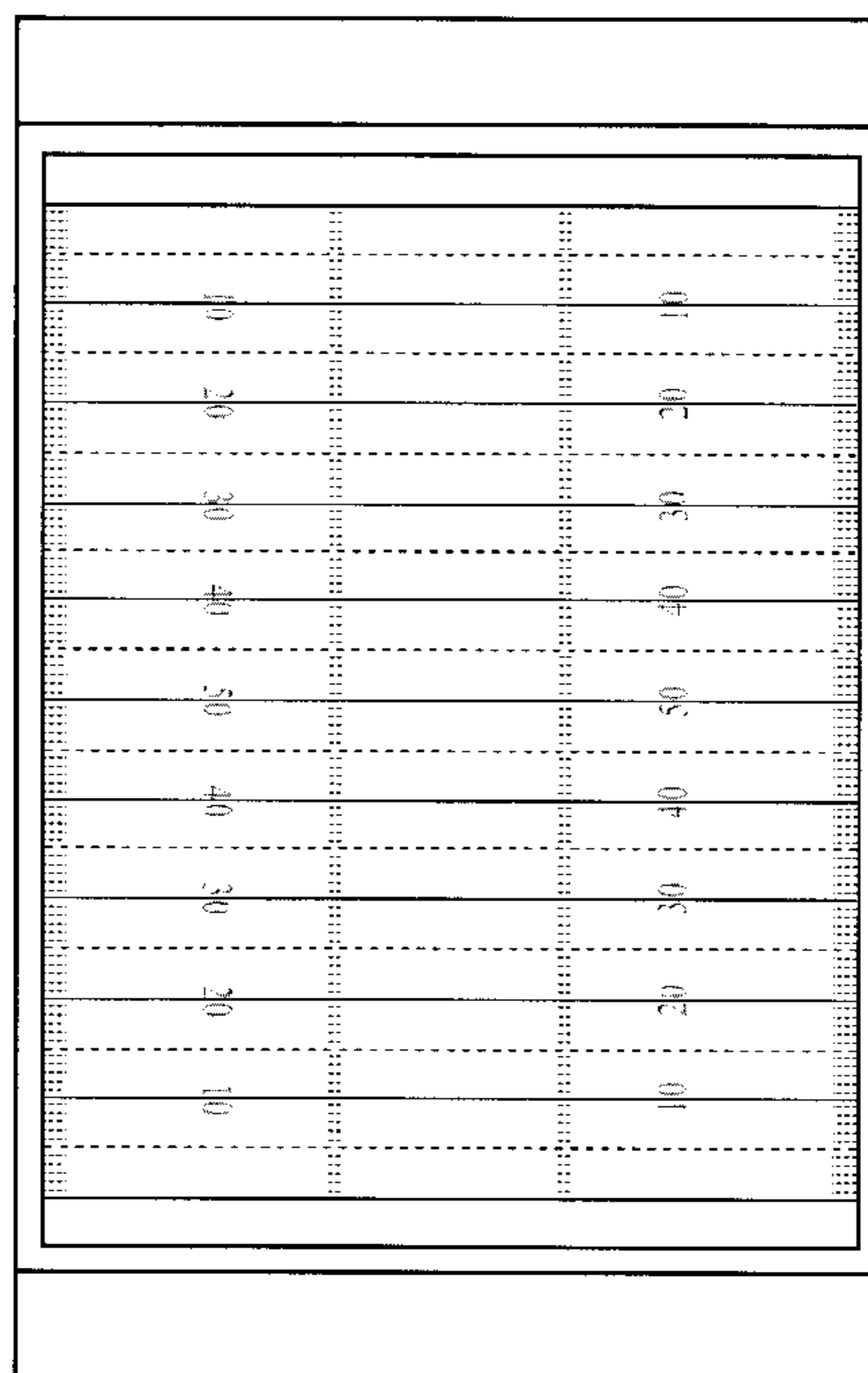
FIG. 5 is a front view of a football window shade or covering according to the present invention in an open position.

FIG. 6 is a front view of a second embodiment of a football window shade or covering according to the present invention in an open position; and,

FIG. 7 is a front view of a third embodiment of a football window shade or covering according to the present invention in an open position.

The broken lines showing of a window and a back portion of the shade are for illustrative purposes only and form no part of the claimed design. The broken lines on the on the front of the portion of the window shade are for illustrative purposes only and form no part of the claimed design.

1 Claim, 3 Drawing Sheets



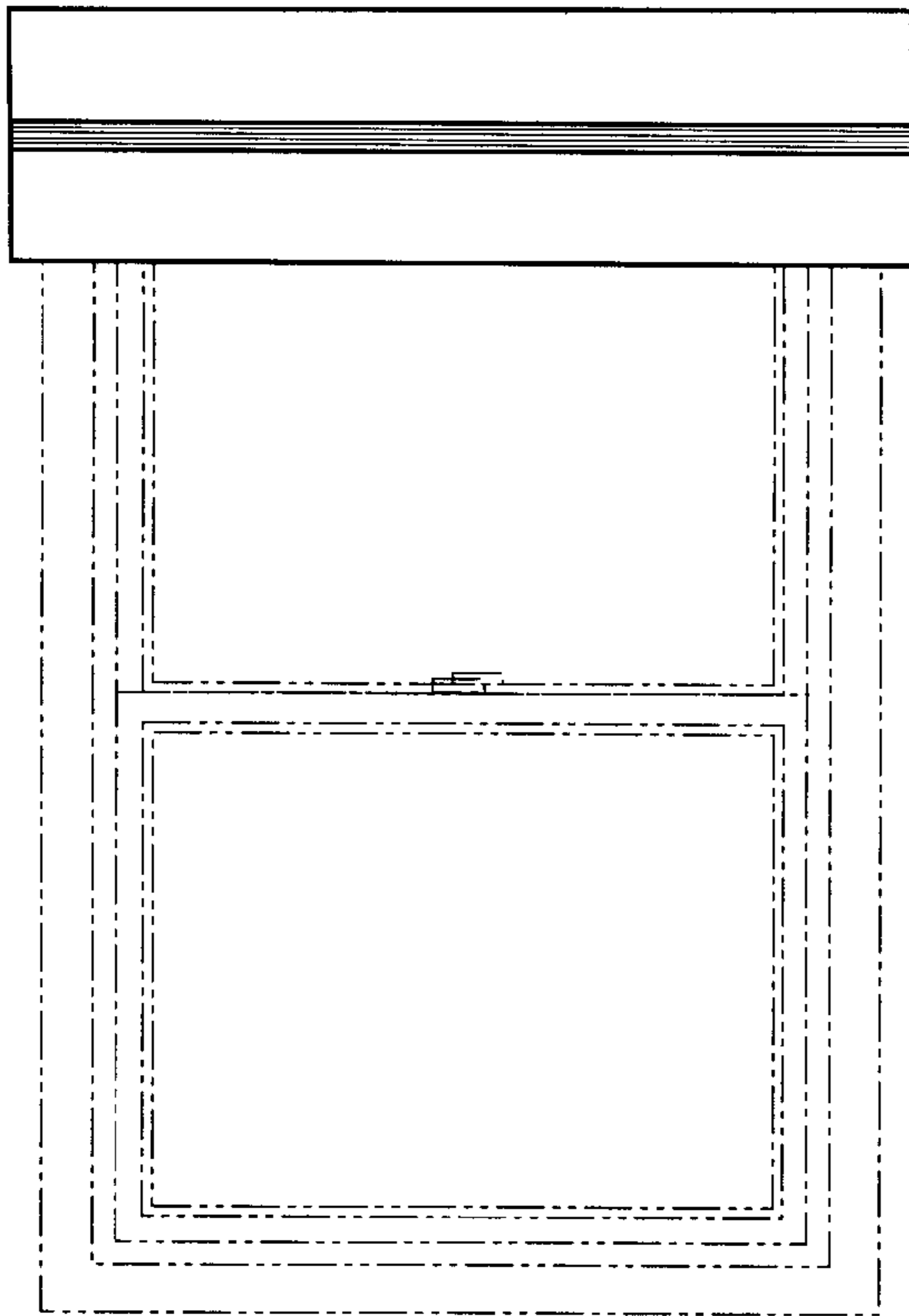


Fig. 1

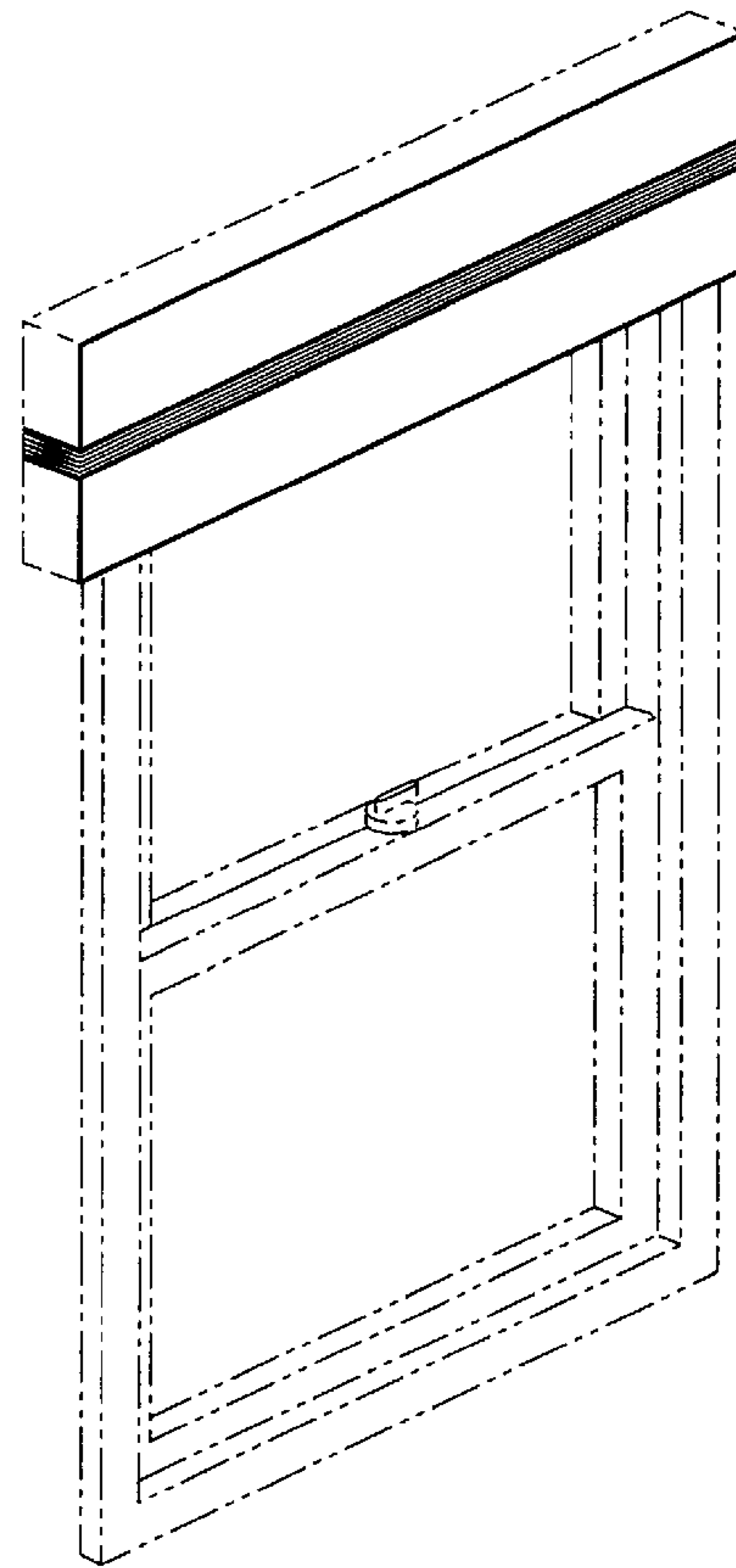


Fig. 2

Fig. 3



Fig. 4



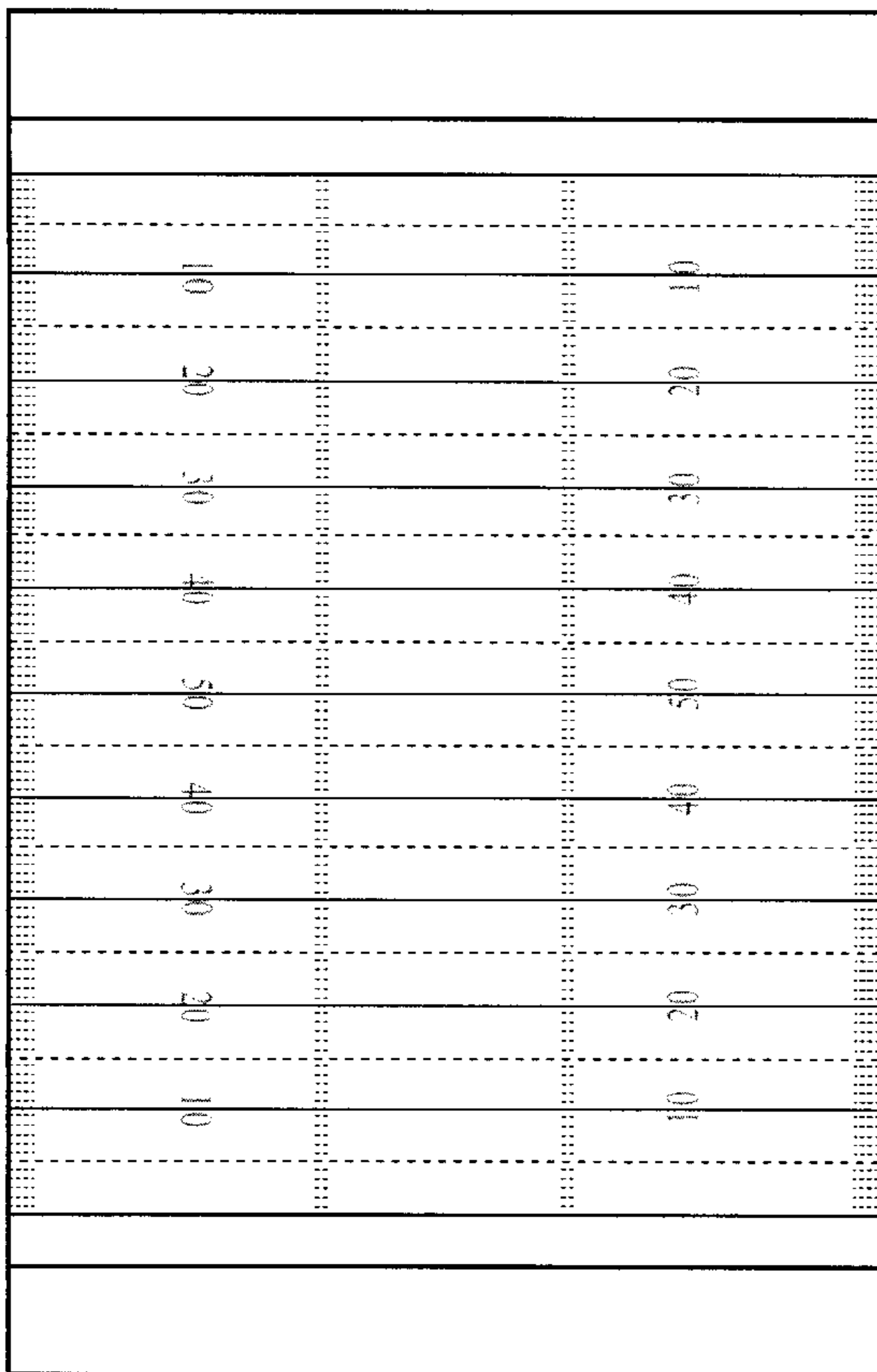


Fig. 5

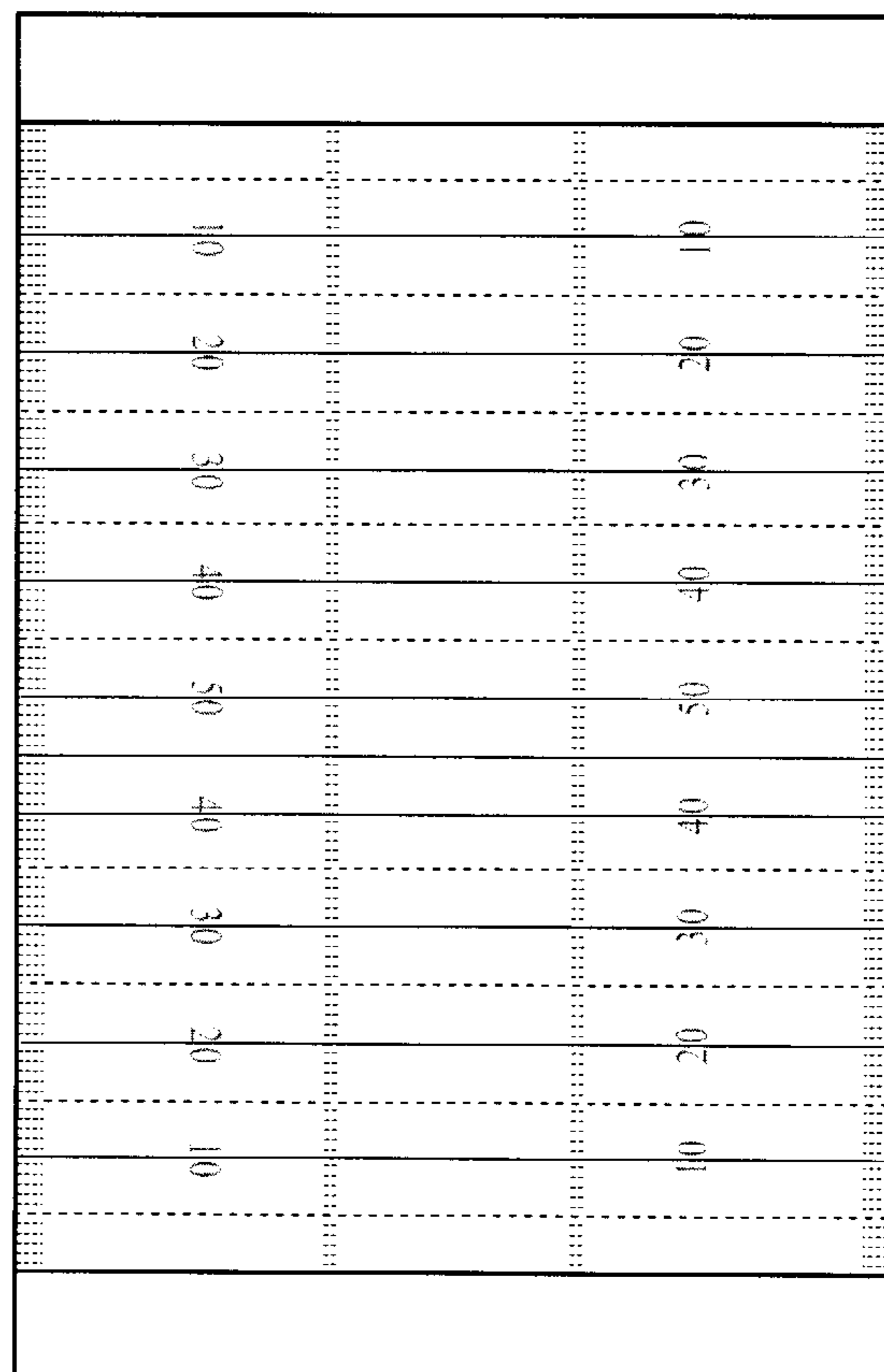


Fig. 6

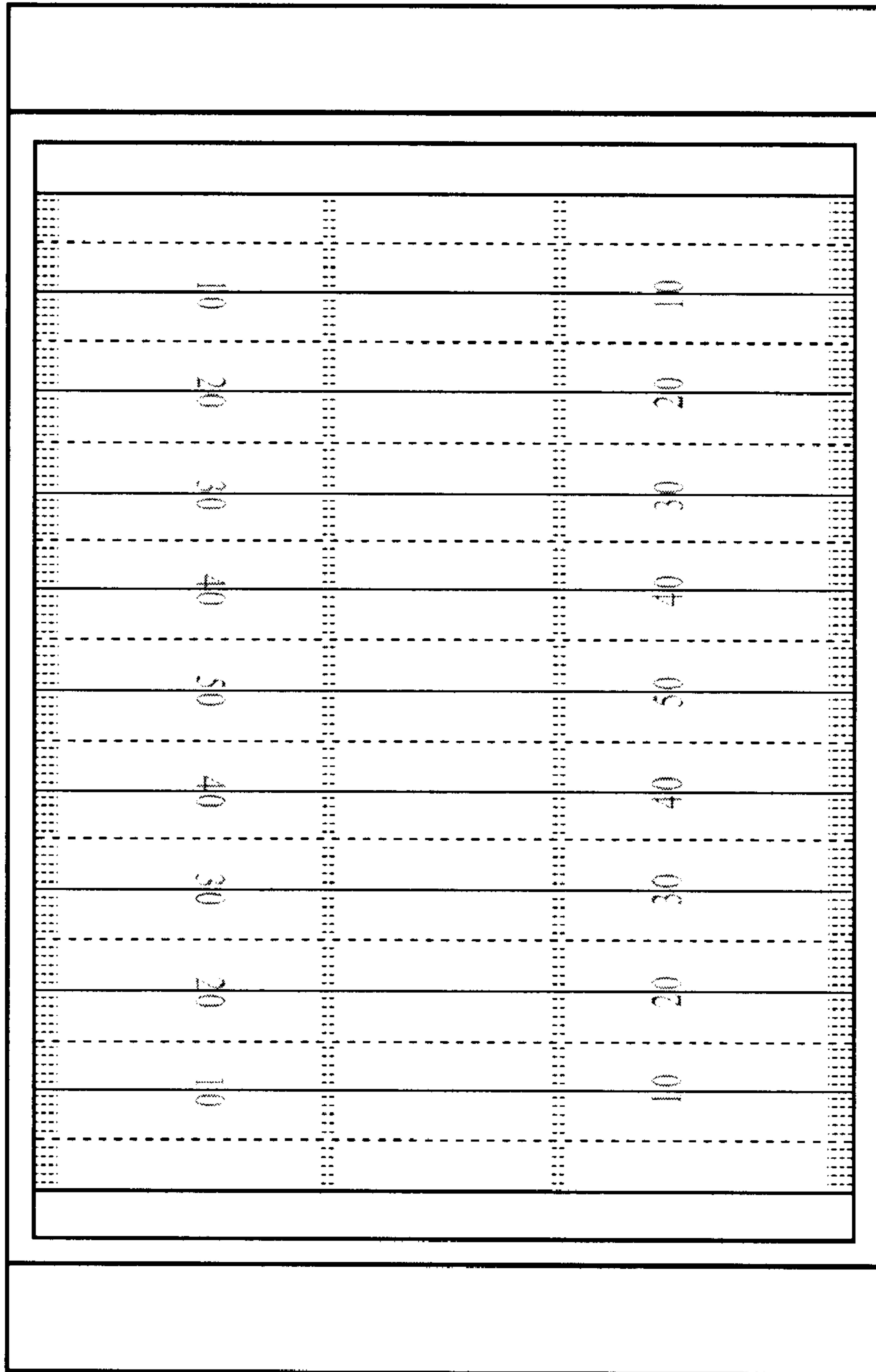


Fig. 7