



US00D521292S

(12) **United States Design Patent**
Ferrer Beltrán

(10) **Patent No.:** **US D521,292 S**

(45) **Date of Patent:** **** May 23, 2006**

(54) **TOWEL HOLDER**

(75) **Inventor:** **José María Ferrer Beltrán**, Valencia (ES)

(73) **Assignee:** **Sonia, S.A.**, Valencia (ES)

(**) **Term:** **14 Years**

(21) **Appl. No.:** **29/230,370**

(22) **Filed:** **May 20, 2005**

(51) **LOC (8) Cl.** **06-04**

(52) **U.S. Cl.** **D6/546**

(58) **Field of Classification Search** D6/546-550,
D6/518-523; D8/300, 303, 315, 321, 349,
D8/354, 363, 373, 380; 108/28-29; 248/175,
248/176.1, 251, 302, 309.1; 16/110.1, 412,
16/415; 242/570, 590, 595-598; 211/13.1,
211/16, 60.1, 100, 86.01, 87.01, 88.01, 88.04,
211/105.1, 105.2, 123, 182, 181.1

See application file for complete search history.

(56) **References Cited**

U.S. PATENT DOCUMENTS

- 2,632,605 A * 3/1953 Lee 242/597.3
- D218,331 S * 8/1970 Ulf D6/523
- 4,836,462 A * 6/1989 Bruss 242/598.2
- D424,353 S * 5/2000 Duggan D6/550
- D450,503 S * 11/2001 Gottwald D6/523
- D455,587 S * 4/2002 Ou-Young D6/523

- D465,365 S * 11/2002 Moore D6/523
- 6,554,222 B1 * 4/2003 Lindow, Sr. 242/598.5
- D477,167 S * 7/2003 Hoernig D6/523
- D477,481 S * 7/2003 Ouano D6/523
- D477,731 S * 7/2003 Hoernig D6/523

* cited by examiner

Primary Examiner—Brian N Vinson

(74) *Attorney, Agent, or Firm*—Jacobson Holman PLLC

(57) **CLAIM**

I claim the ornamental design for the towel holder, as shown and described.

DESCRIPTION

FIG. 1 is a front perspective view of the towel holder embodying my design;
 FIG. 2 is the top plan view of the towel holder as shown in FIG. 1;
 FIG. 3 is the bottom view of the towel holder as shown in FIG. 1;
 FIG. 4 is the right end elevational view of the towel holder as shown in FIG. 1;
 FIG. 5 is the left end elevational view of the towel holder as shown in FIG. 1;
 FIG. 6 is the left side elevational view of the towel holder as shown in FIG. 1; and,
 FIG. 7 is the right side elevational view of the towel holder as shown in FIG. 1.

1 Claim, 4 Drawing Sheets

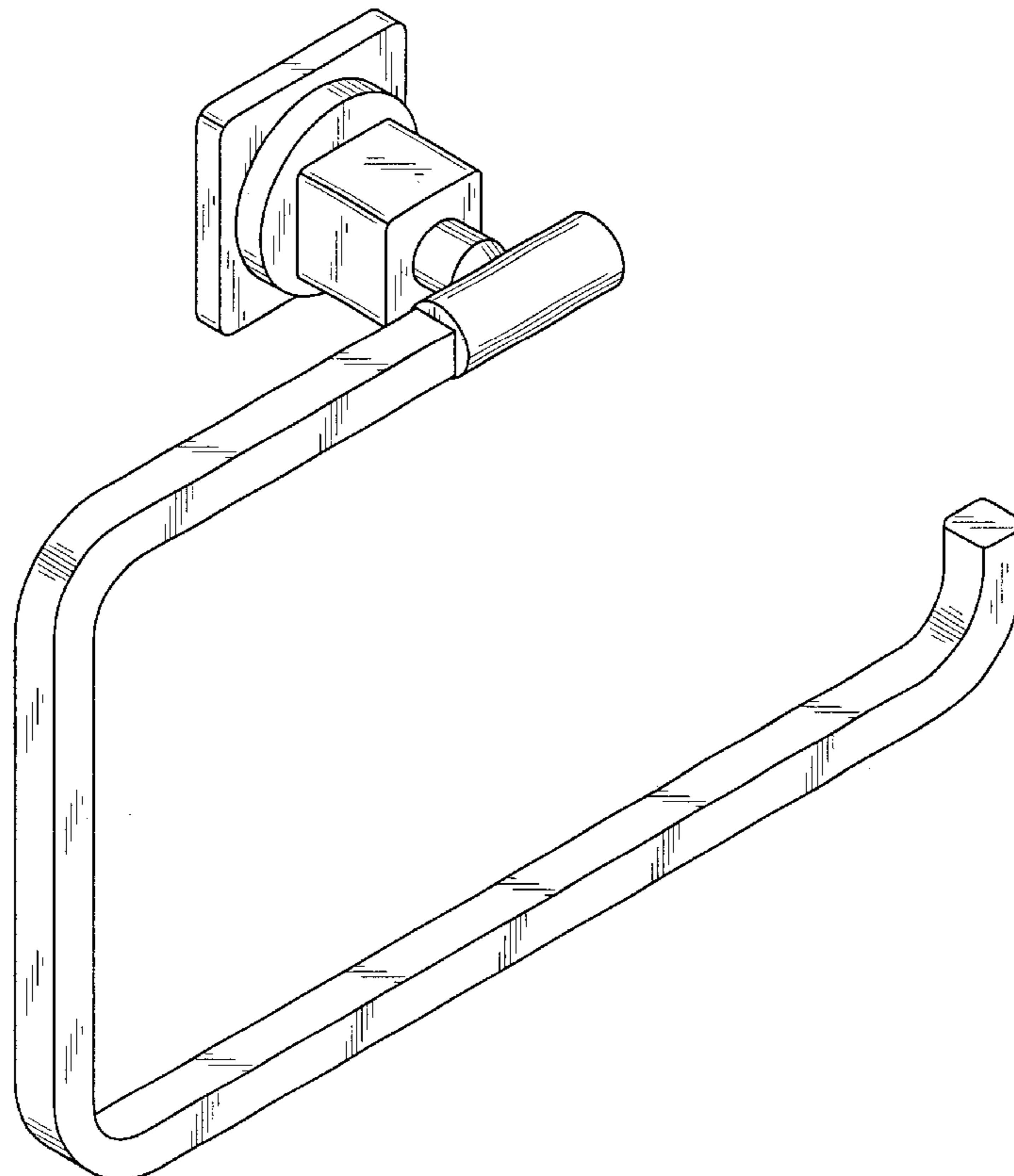


FIG. 1

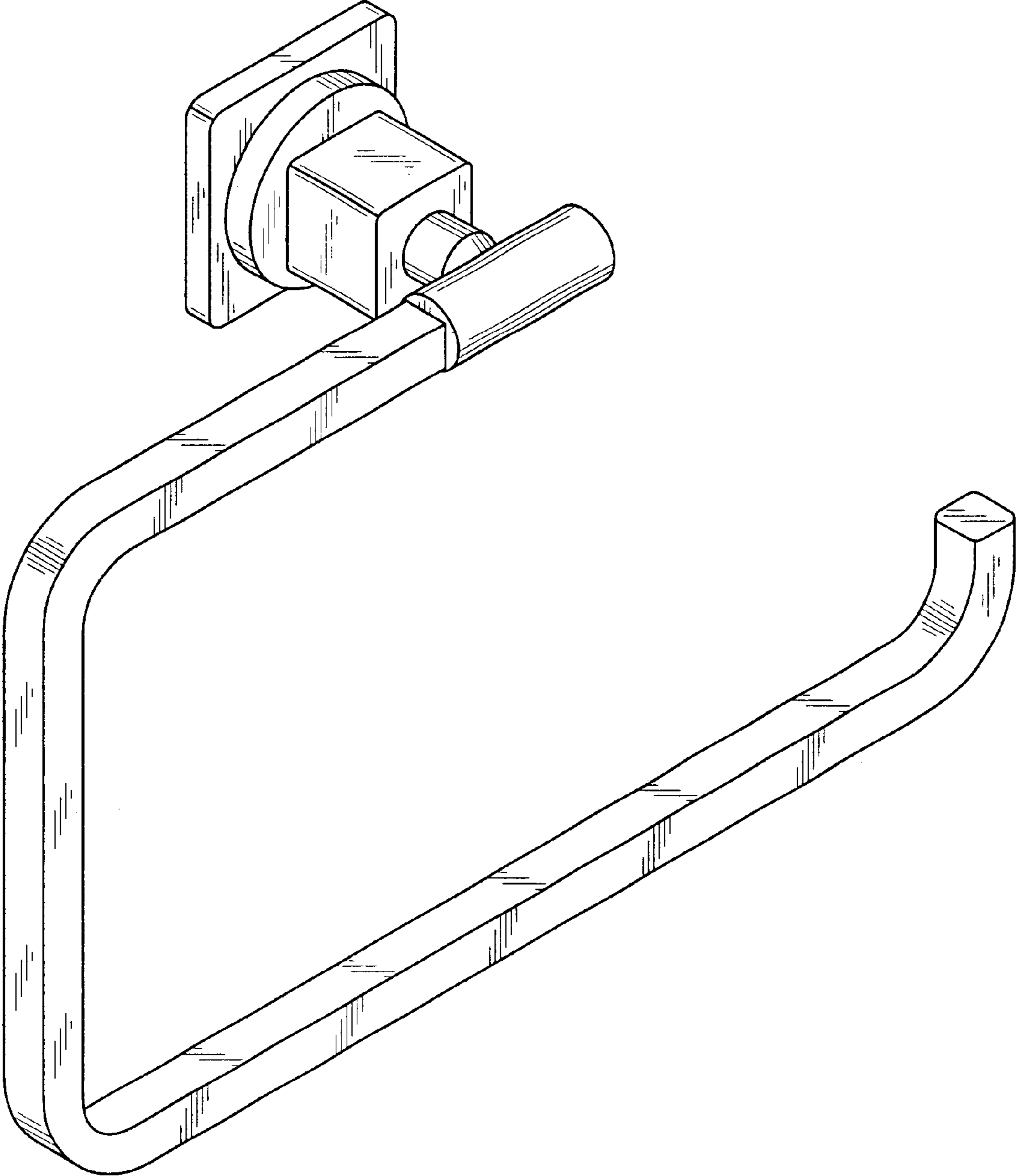


FIG. 2

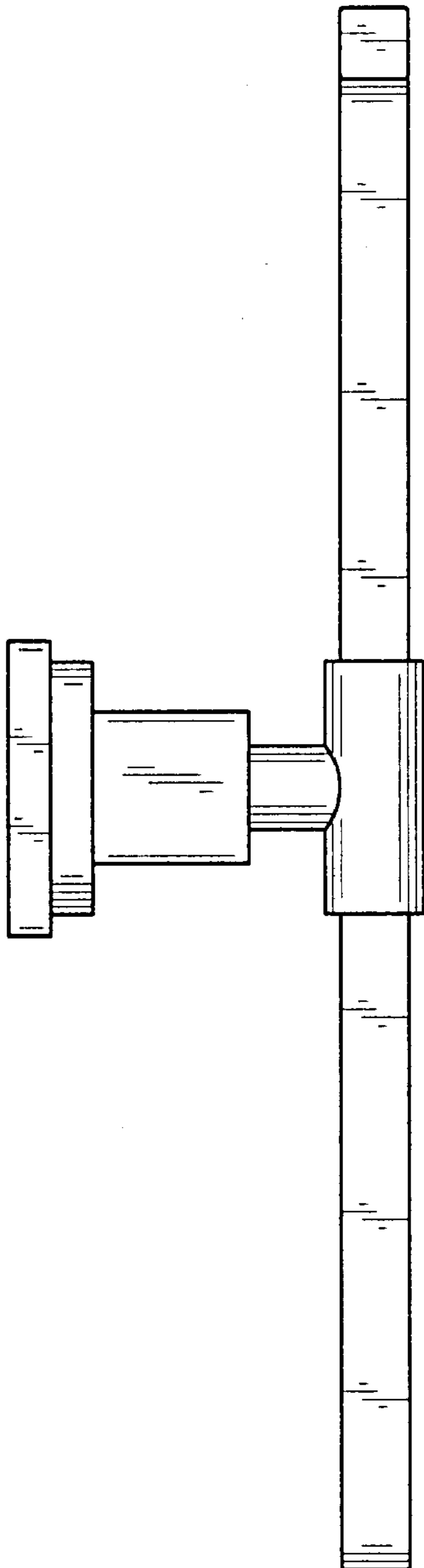


FIG. 3

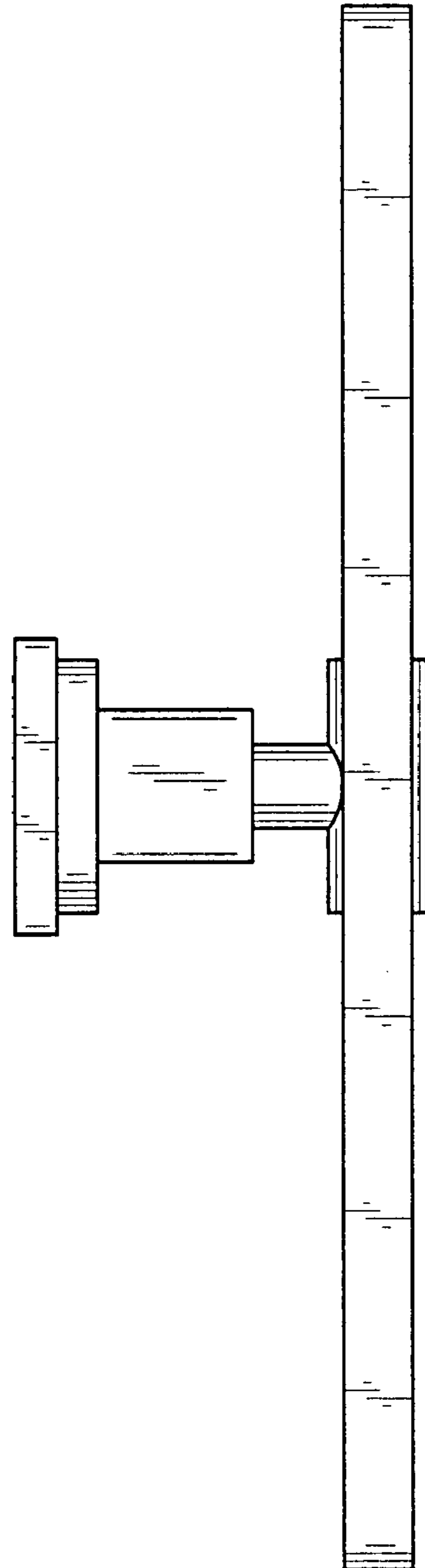


FIG. 4

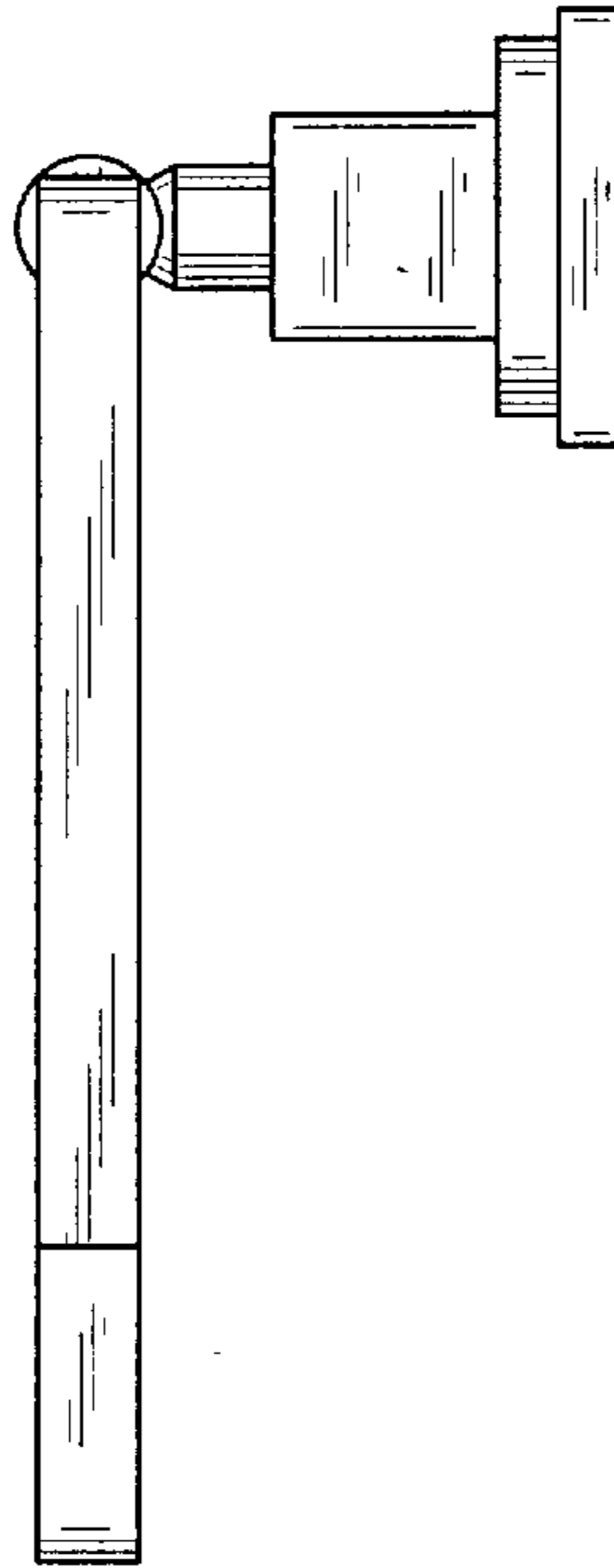


FIG. 5

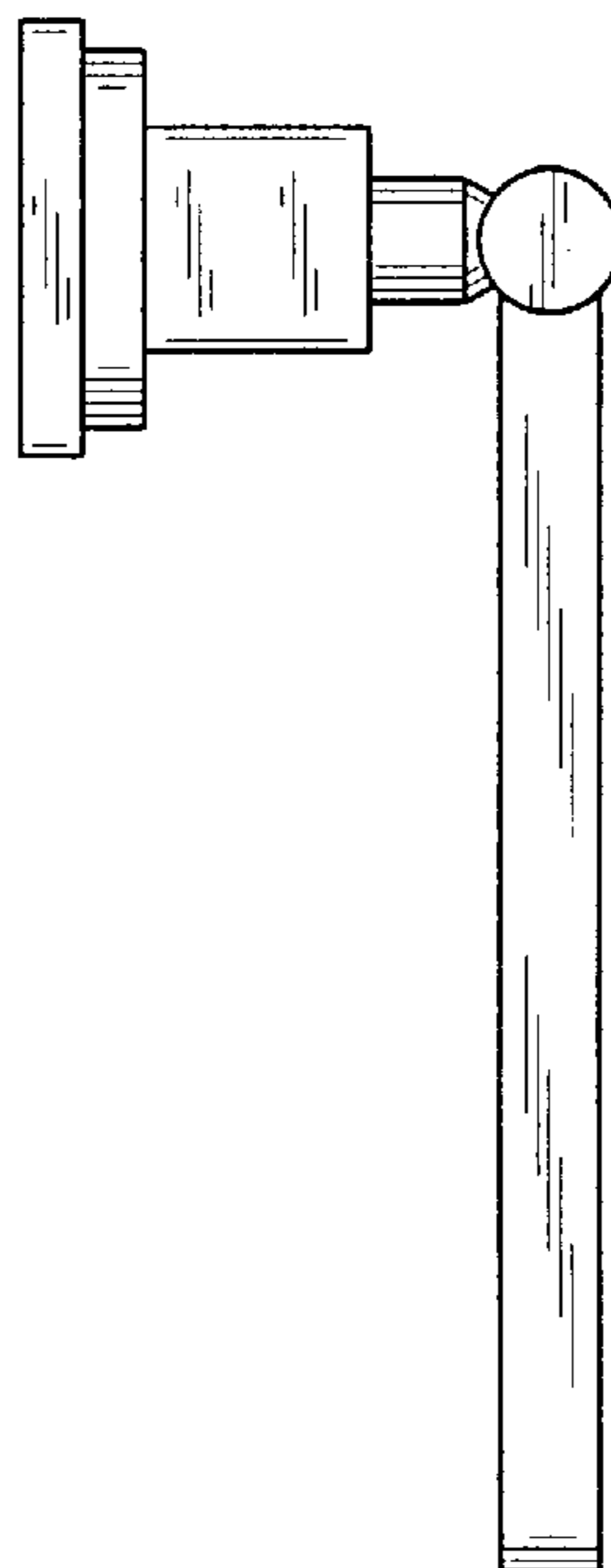


FIG. 6

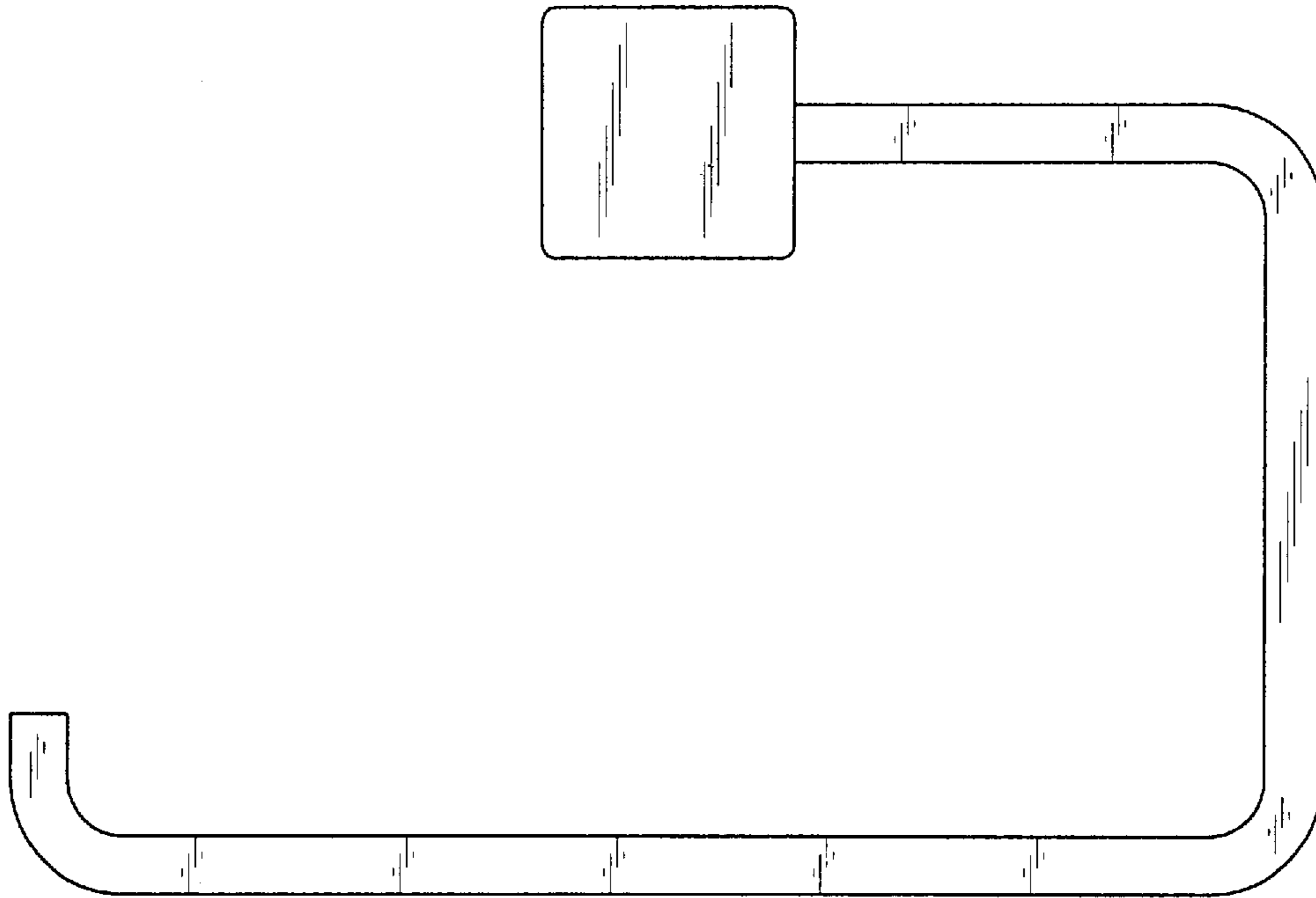


FIG. 7

