



US00D521289S

(12) **United States Design Patent**
Breitinger

(10) **Patent No.:** **US D521,289 S**

(45) **Date of Patent:** **** May 23, 2006**

(54) **COMBINED DISPENSER COMPRISING A CONTAINER FOR MOIST TOWELETTES, A BAR FOR HOLDING A ROLL OF TOILET PAPER AND AN EXTENDIBLE TRAY IN WHICH OTHER OBJECTS CAN BE PLACED**

(76) Inventor: **Peter Breitinger**, 3628 Park Colony Ct., Agoura Hills, CA (US) 91301

(**) Term: **14 Years**

(21) Appl. No.: **29/190,395**

(22) Filed: **Sep. 19, 2003**

(51) **LOC (8) Cl.** **23-02**

(52) **U.S. Cl.** **D6/524**

(58) **Field of Classification Search** D6/515-524,
D6/542, 546-550; 211/13.1, 87.01, 88.01,
211/88.04; 206/389; 242/570, 590; 248/309.1
See application file for complete search history.

(56) **References Cited**

U.S. PATENT DOCUMENTS

D326,974 S	*	6/1992	Grassie	D6/524
D338,361 S	*	8/1993	Hines	D6/524
D343,974 S	*	2/1994	Sz-Hsing	D6/524
D364,059 S	*	11/1995	Merriweather, Jr.	D6/524
5,526,943 A	*	6/1996	Thompson	211/87.01
D385,136 S	*	10/1997	Gutke	D6/524
D493,313 S	*	7/2004	Hoernig	D6/524

* cited by examiner

Primary Examiner—Brian N Vinson

(74) *Attorney, Agent, or Firm*—Thomas I. Rozsa; Tony D. Chen

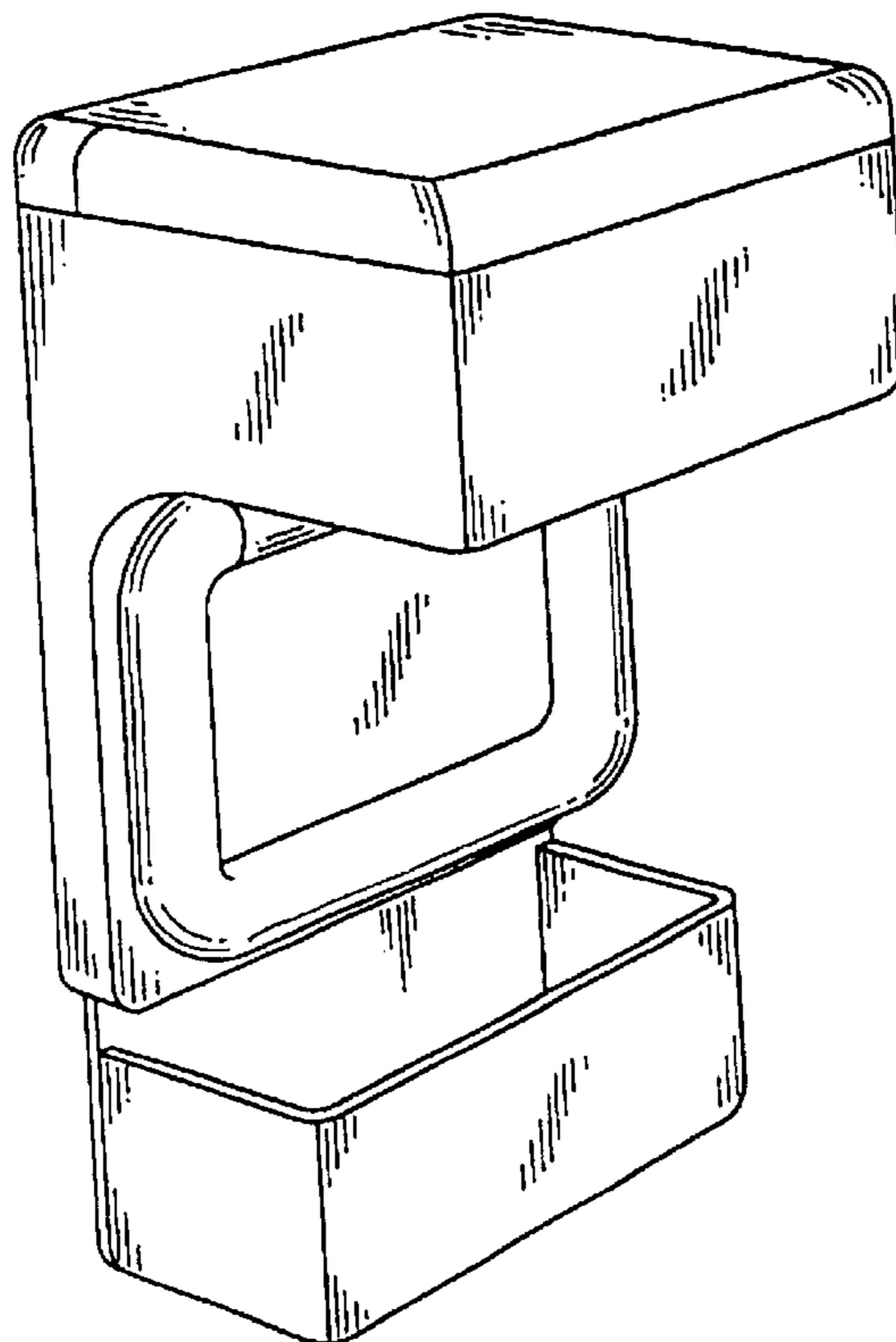
(57) **CLAIM**

The ornamental design for a combined dispenser comprising a container for moist towelettes, a bar for holding a roll of toilet paper and an extendible tray in which other objects can be placed, as shown and described.

DESCRIPTION

FIG. 1 is a perspective view of the preferred embodiment of the present invention of a combined dispenser comprising a container for moist towelettes, a bar for holding a roll of toilet paper and an extendible tray in which other objects can be placed, showing my new design;
FIG. 2 is a front elevational view;
FIG. 3 is rear elevational view;
FIG. 4 is a side elevational view, when viewed from the right side;
FIG. 5 is a side elevational view, when viewed from the left side;
FIG. 6 is a top plan view;
FIG. 7 is a bottom plan view;
FIG. 8 is a front elevational view showing the extendible tray extended for a given distance below the dispenser for a container for moist towelettes; and,
FIG. 9 is a front elevational view showing the extendible tray at its maximum extension below the container for moist towelettes.

1 Claim, 3 Drawing Sheets



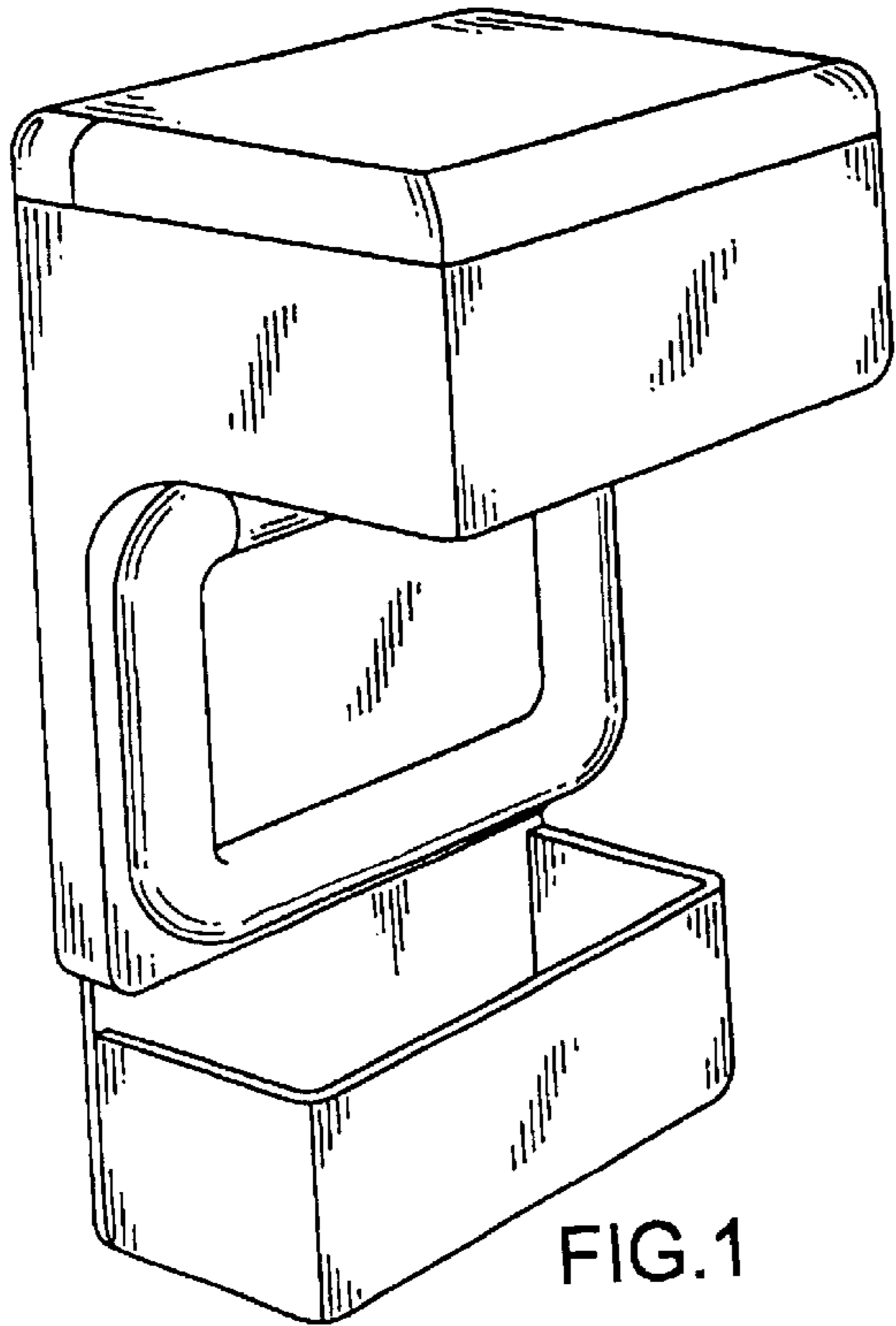


FIG. 1

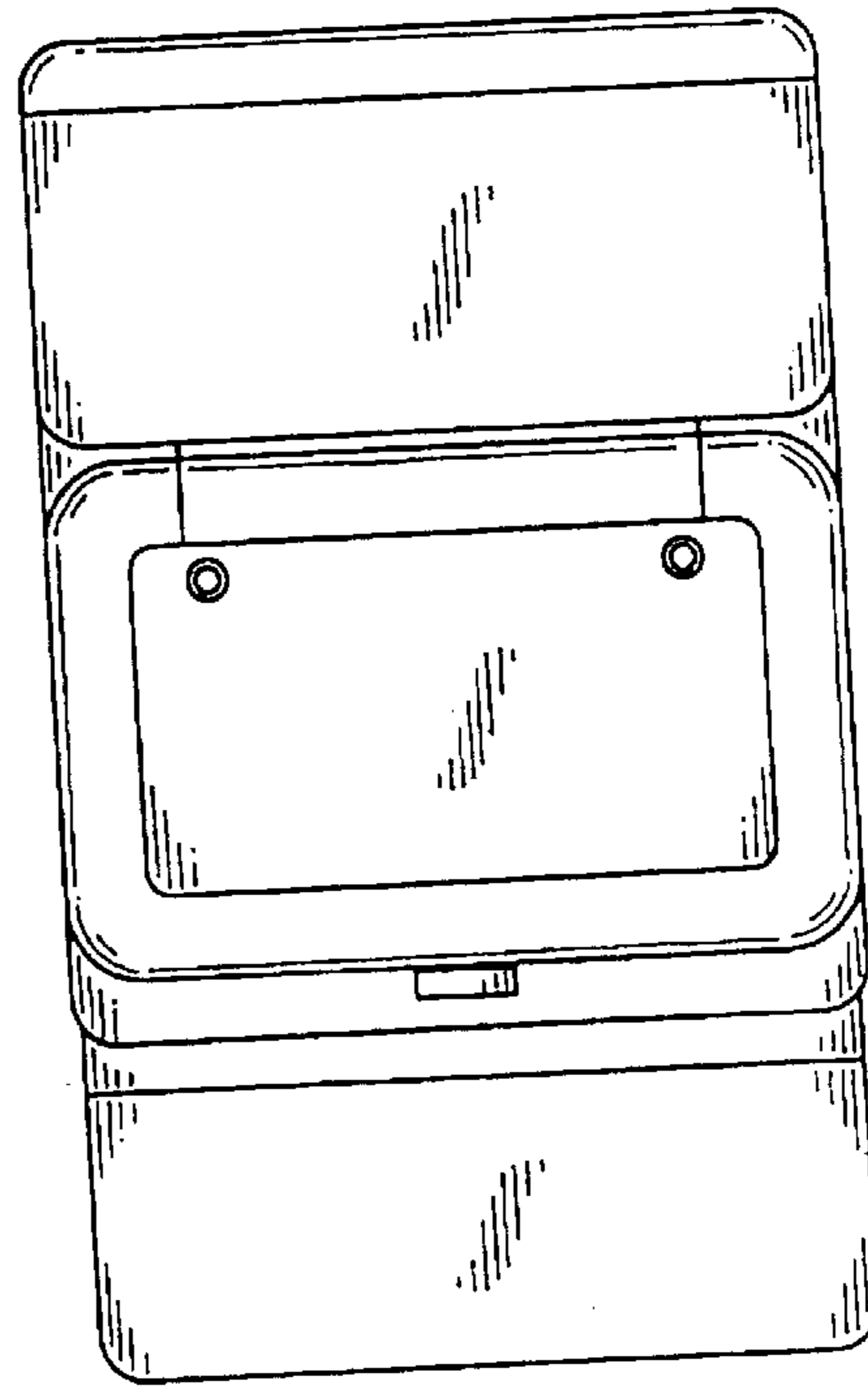


FIG. 2

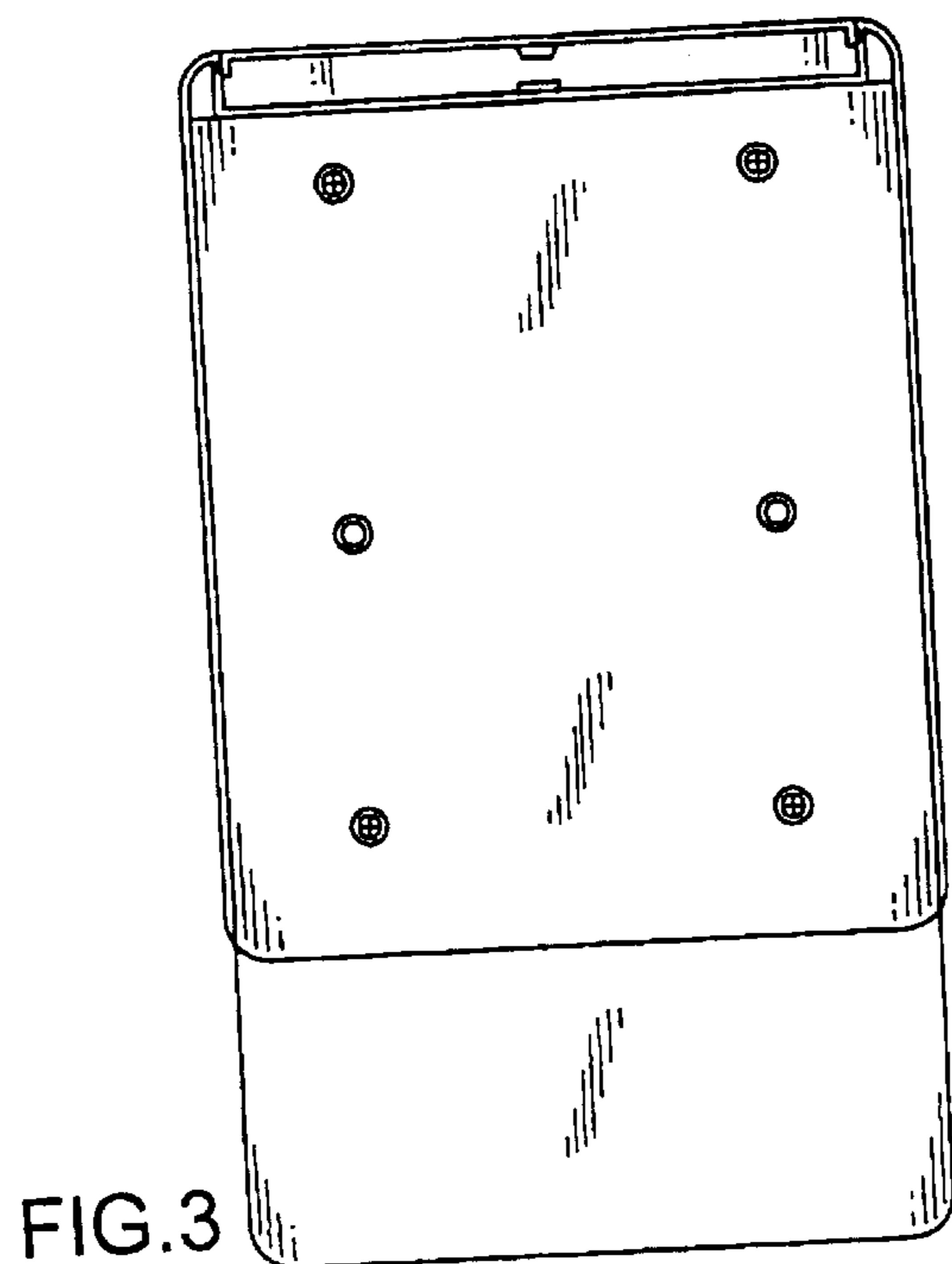


FIG. 3

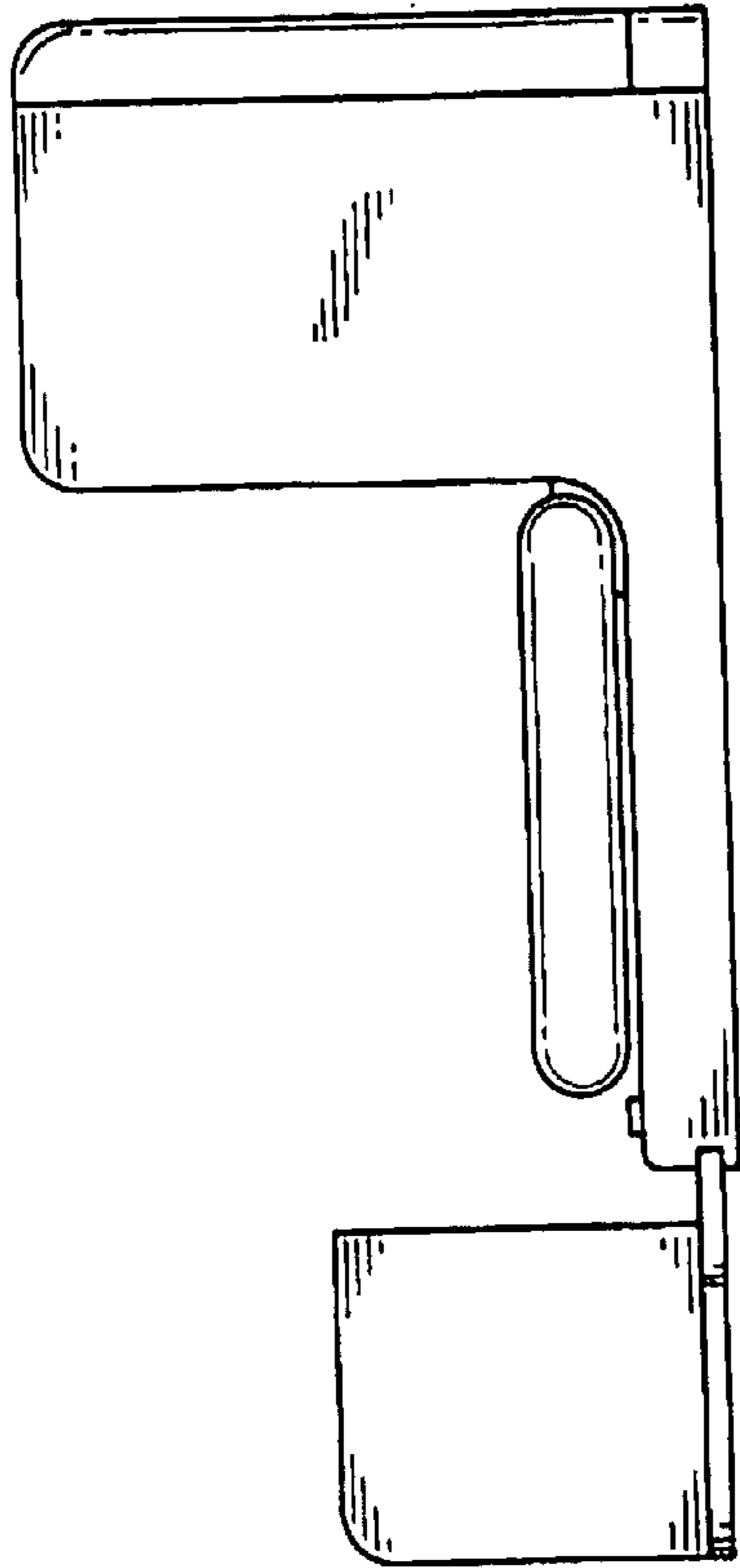


FIG. 4

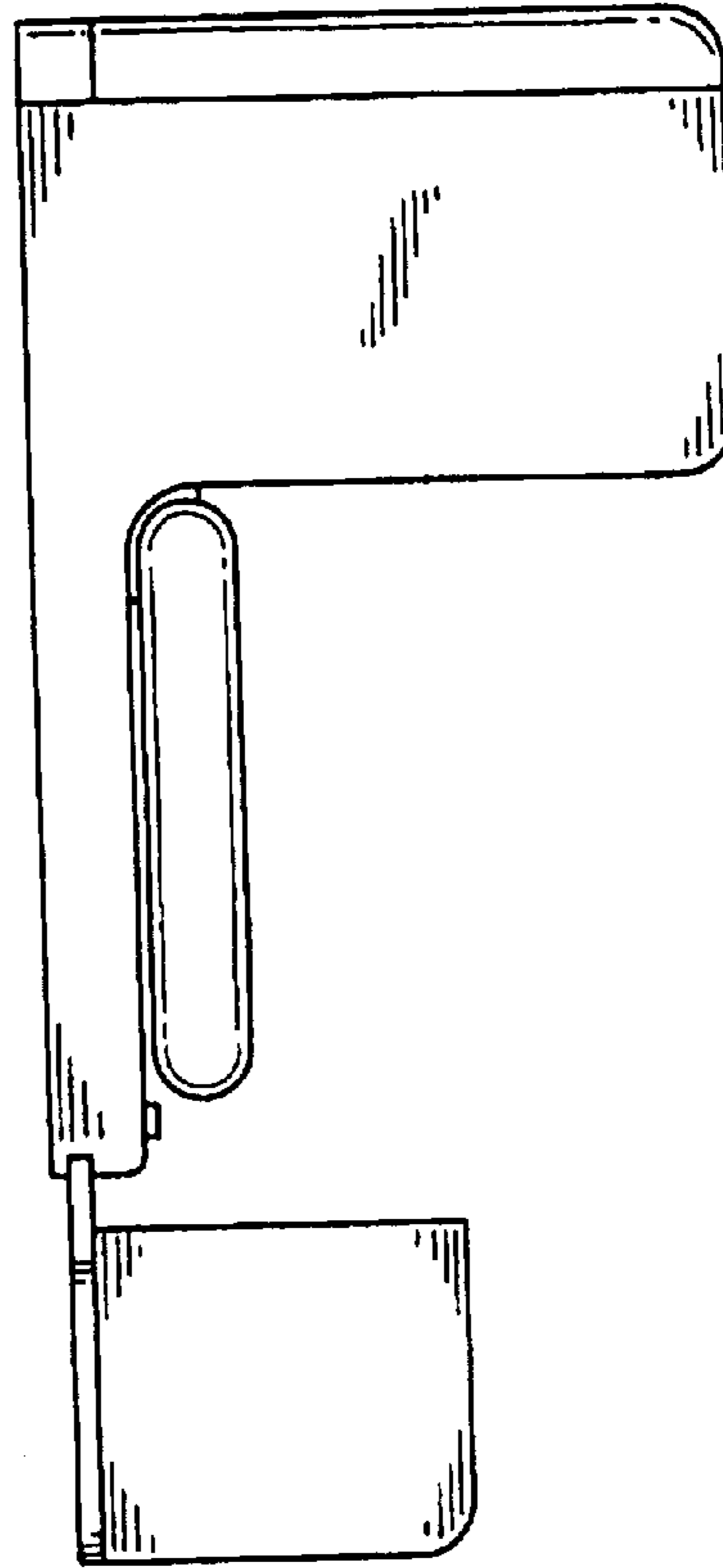


FIG. 5

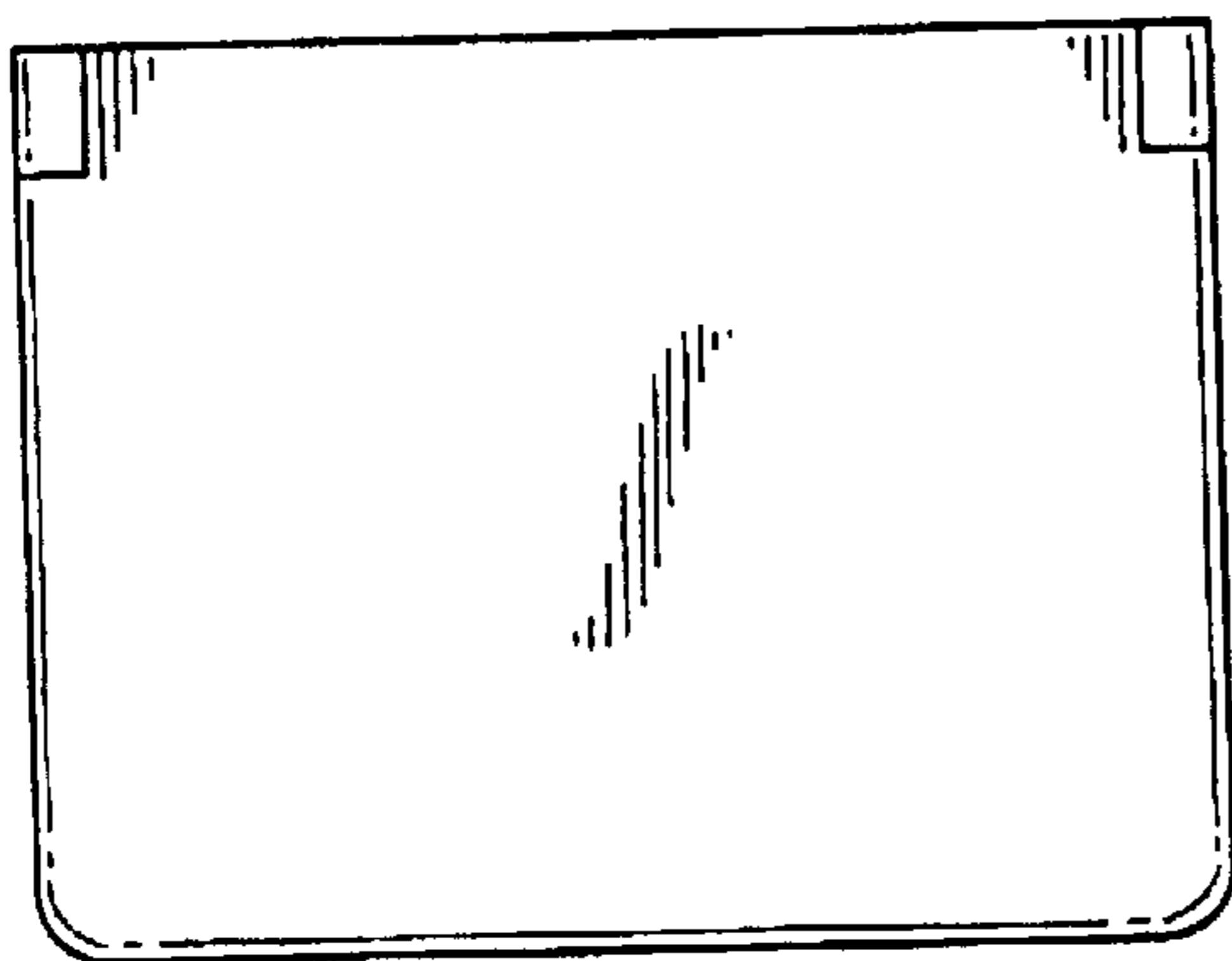


FIG. 6

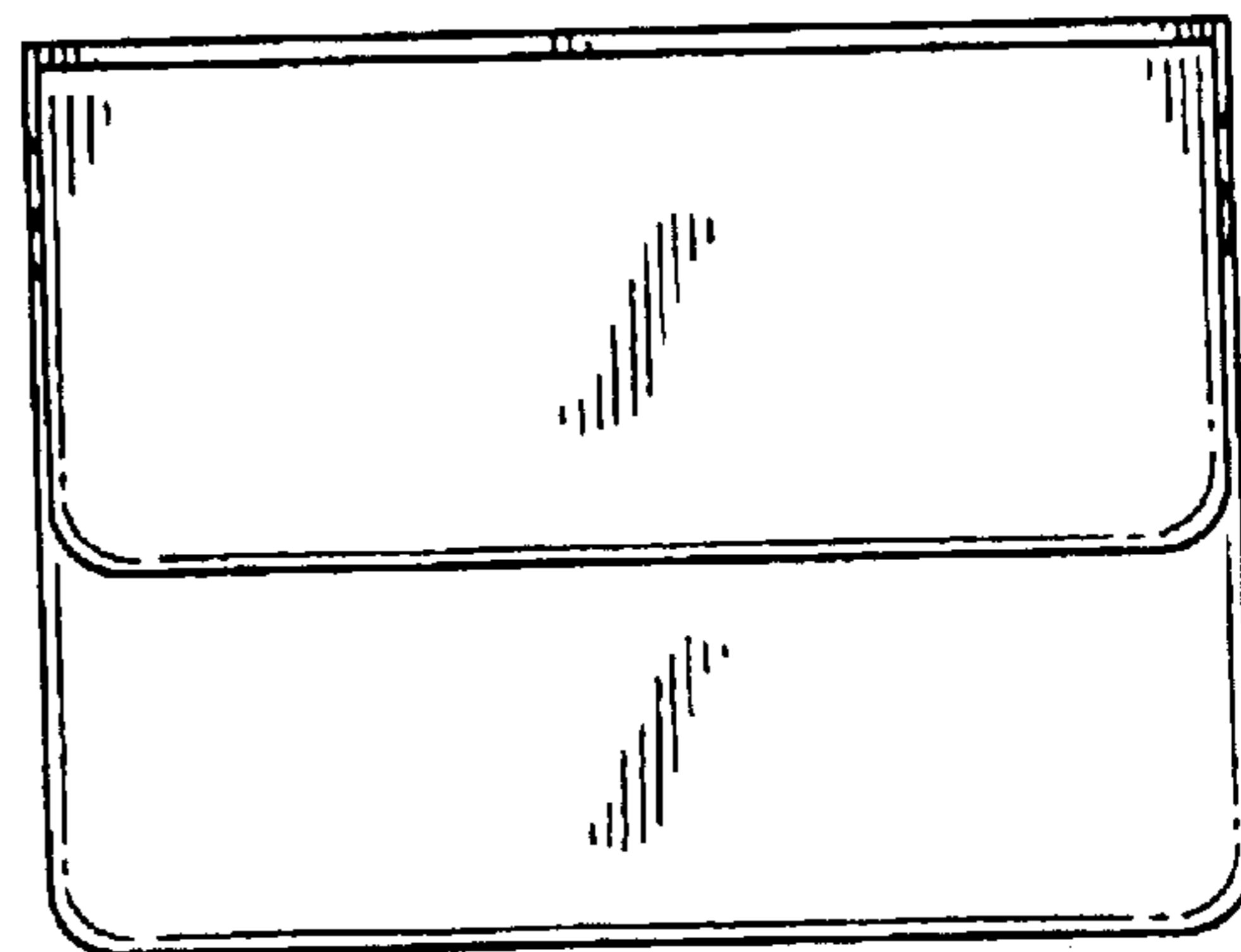


FIG. 7

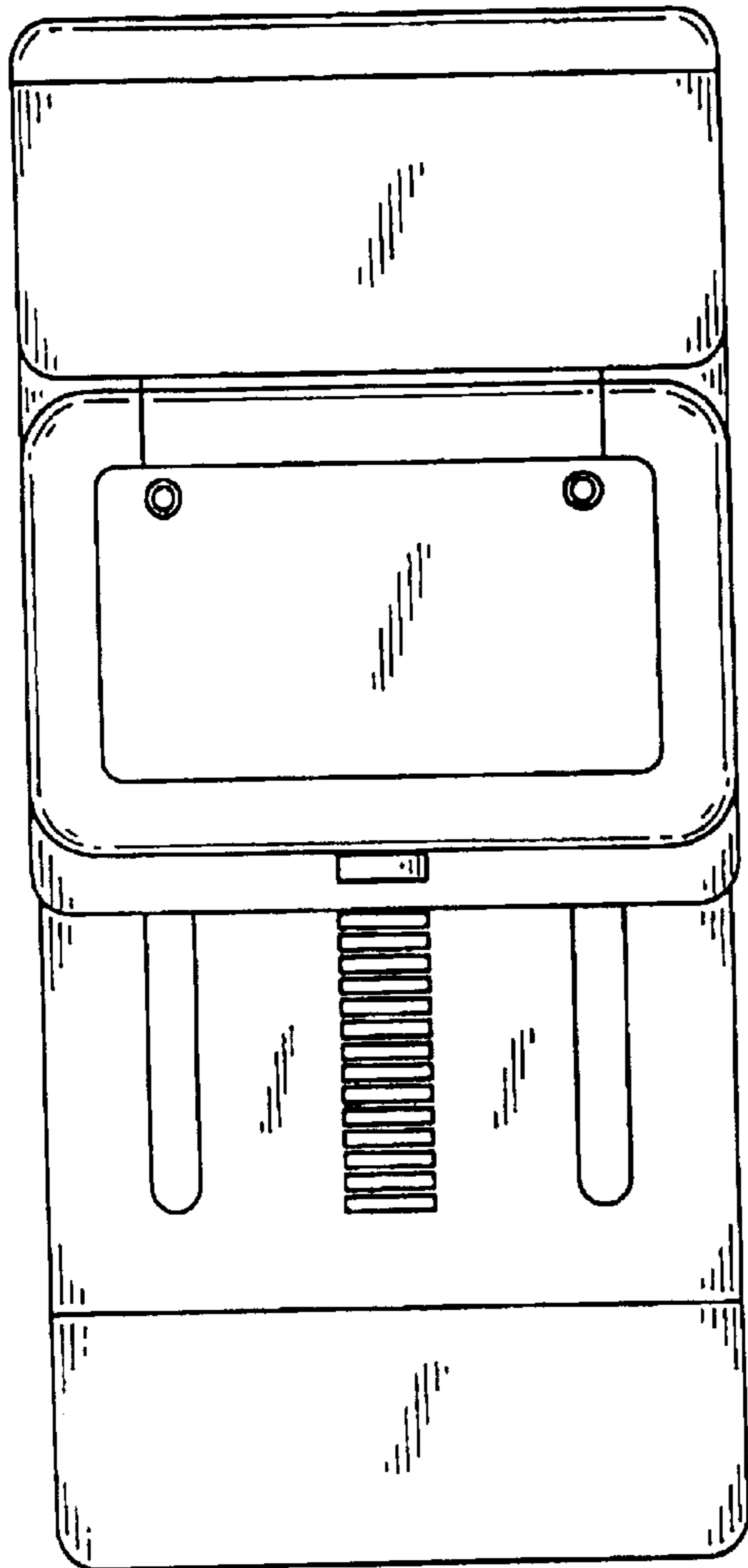


FIG. 8

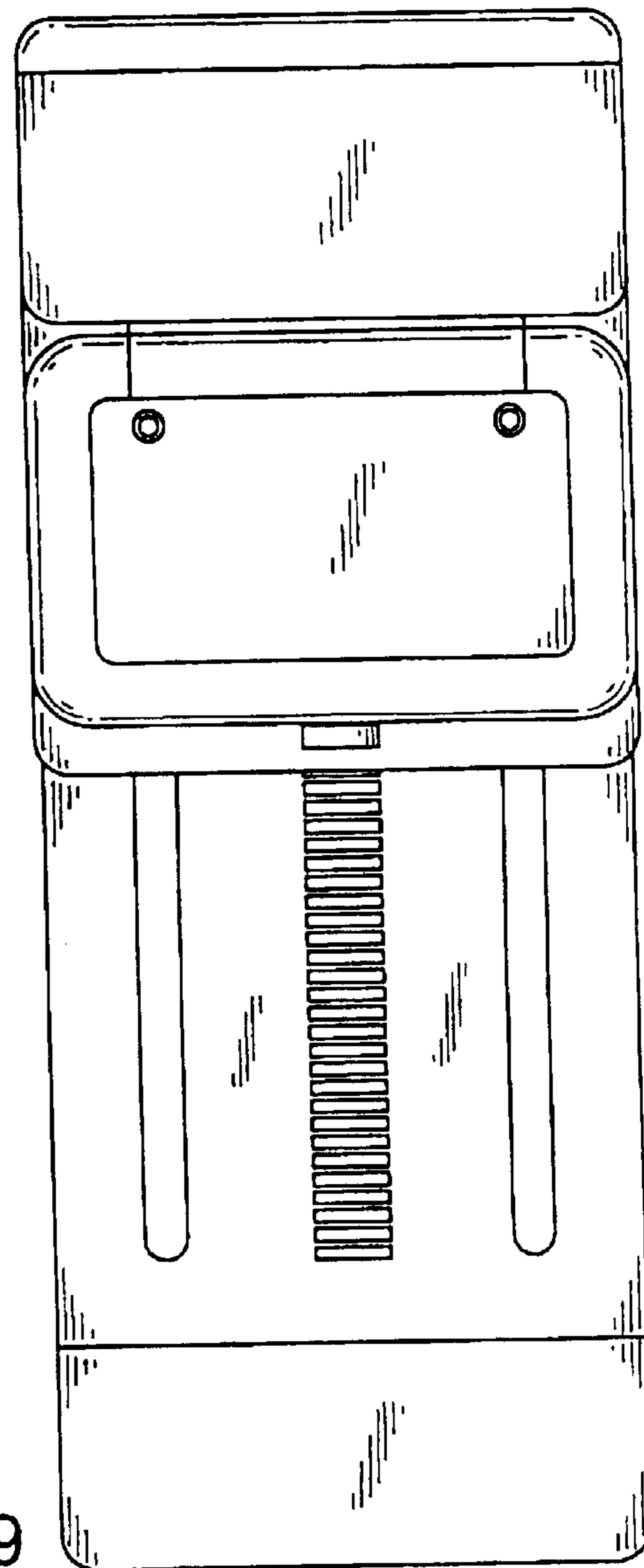


FIG. 9