

US00D521288S

(12) **United States Design Patent**  
**Barry**

(10) **Patent No.:** **US D521,288 S**

(45) **Date of Patent:** **\*\* May 23, 2006**

(54) **TOILET PAPER HOLDER**

(75) Inventor: **Barbara Barry**, Los Angeles, CA (US)

(73) Assignee: **Kohler Co.**, Kohler, WI (US)

(\*\*) Term: **14 Years**

(21) Appl. No.: **29/229,496**

(22) Filed: **May 9, 2005**

(51) **LOC (8) Cl.** ..... **23-02**

(52) **U.S. Cl.** ..... **D6/523**

(58) **Field of Classification Search** ..... D6/518-523,  
D6/546, 549; 206/389; 242/520, 555, 595,  
242/597; 248/309.1, 309.2; 211/123, 124  
See application file for complete search history.

(56) **References Cited**

**U.S. PATENT DOCUMENTS**

4,907,771	A	*	3/1990	Wang	.....	D6/546
D374,585	S	*	10/1996	Moon	.....	D6/523
D450,503	S	*	11/2001	Gottwald	.....	D6/523
D465,365	S	*	11/2002	Moore	.....	D6/523
D471,748	S	*	3/2003	Moore	.....	D6/523
D477,481	S	*	7/2003	Ouano	.....	D6/523

**OTHER PUBLICATIONS**

Altmans catalog p. 42, The Gilford Collection, covered paper holder.

Kohler catalog, K-211, Antique Toilet Tissue Holder.

\* cited by examiner

*Primary Examiner*—Brian N Vinson

(74) *Attorney, Agent, or Firm*—Quarles & Brady LLP

(57) **CLAIM**

The ornamental design for a toilet paper holder, as shown and described.

**DESCRIPTION**

In a preferred embodiment, the nature of this product is a wall mountable toilet paper holder.

FIG. 1 is a left, top, front perspective view of a support according to my new design;

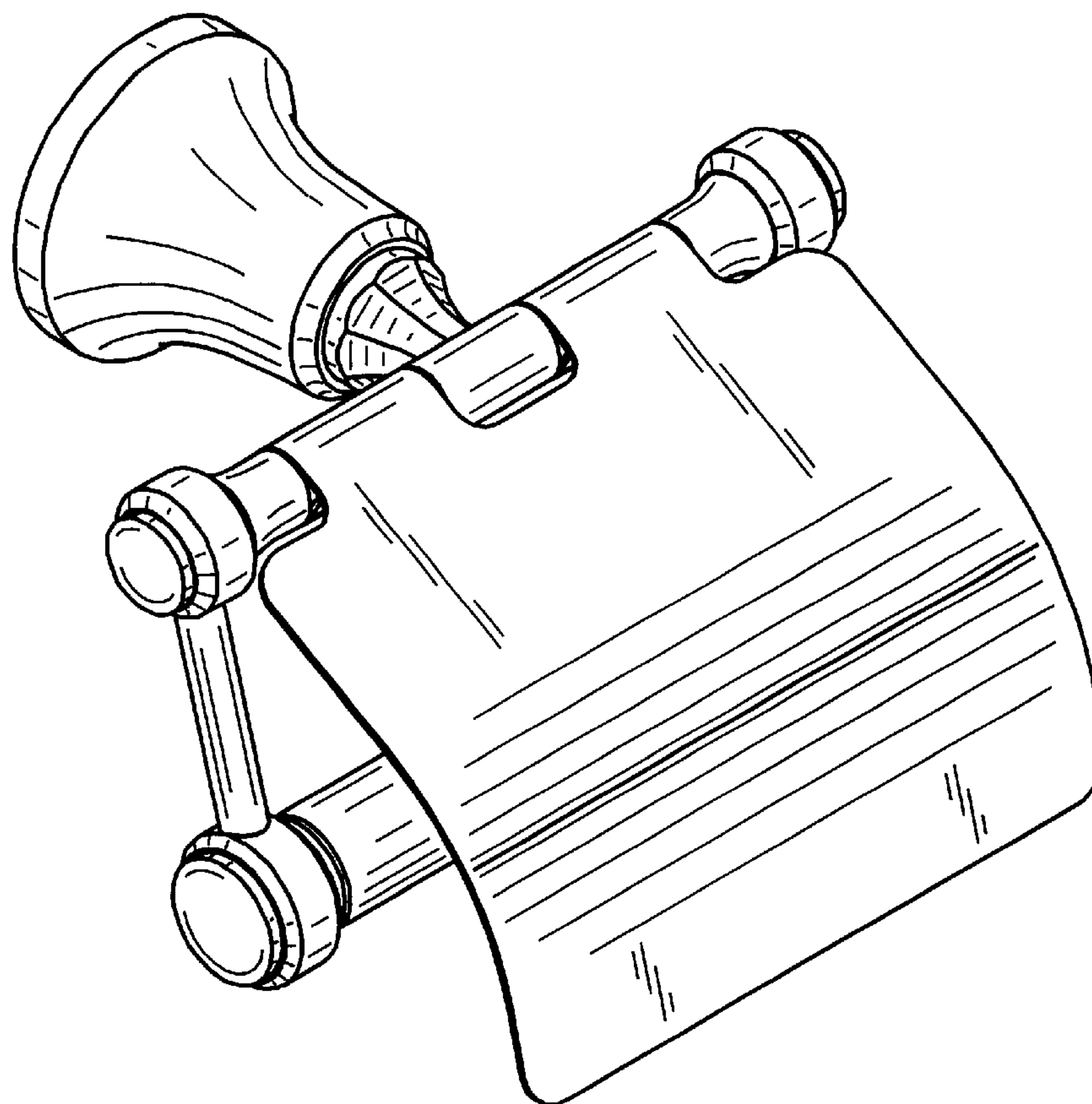
FIG. 2 is a front elevational view thereof;

FIG. 3 is a rear elevational view thereof; and,

FIG. 4 is a right side elevational view thereof, the left side elevational view thereof being a mirror image of the right side shown.

The broken line representation of mounting structure in FIG. 3 is for the purpose of illustration only, and form no part of the claimed design.

**1 Claim, 2 Drawing Sheets**



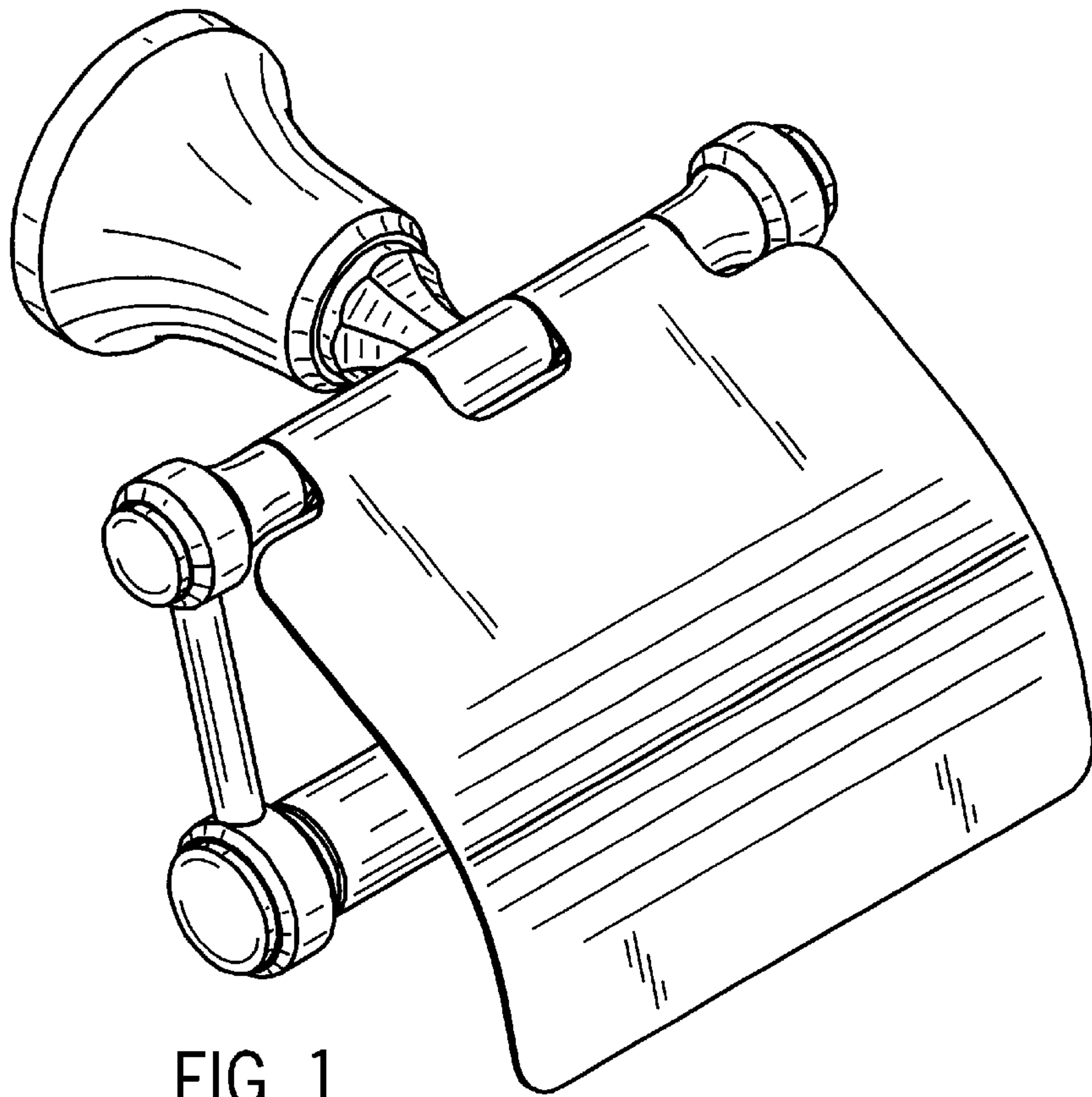


FIG. 1

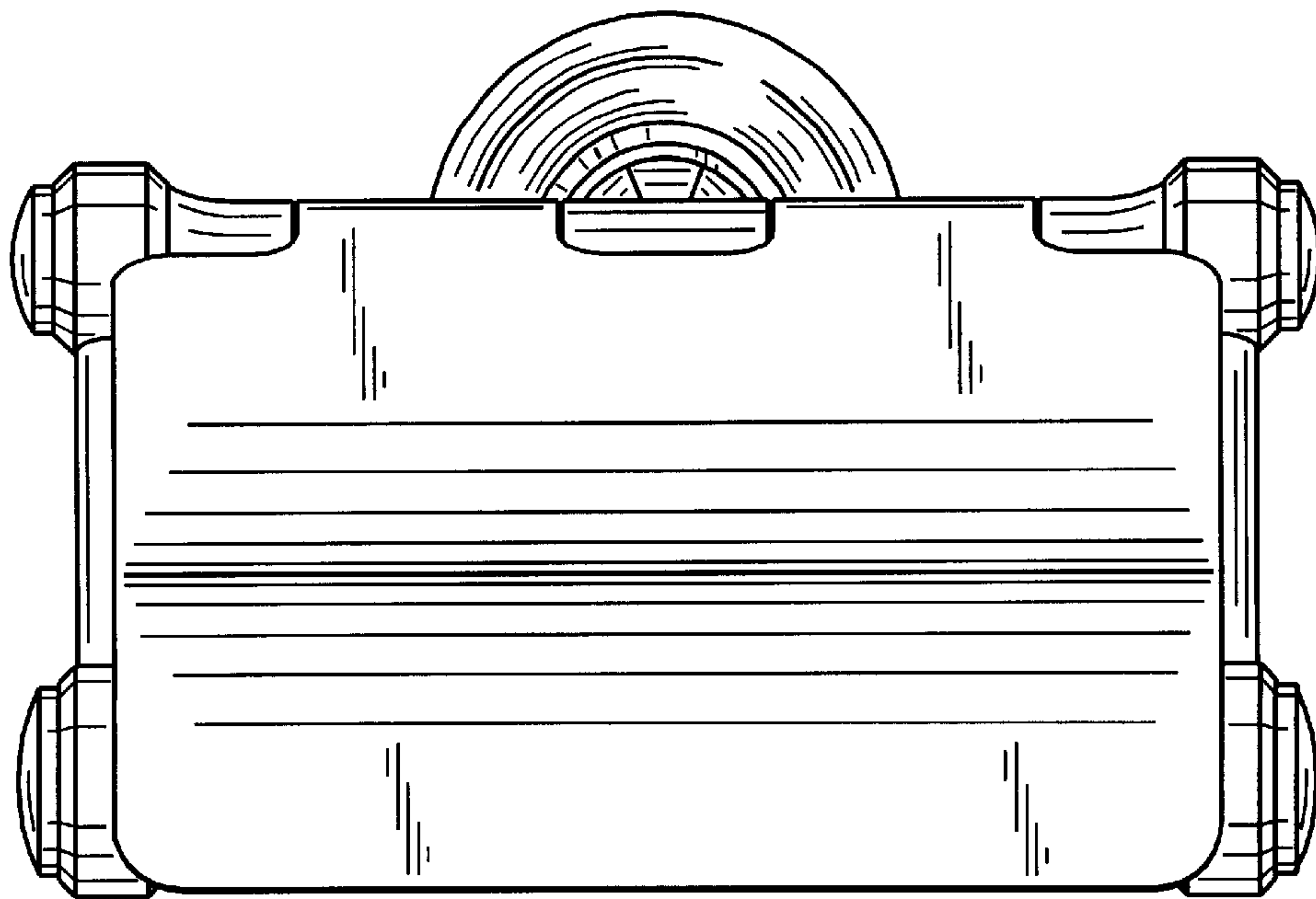


FIG. 2

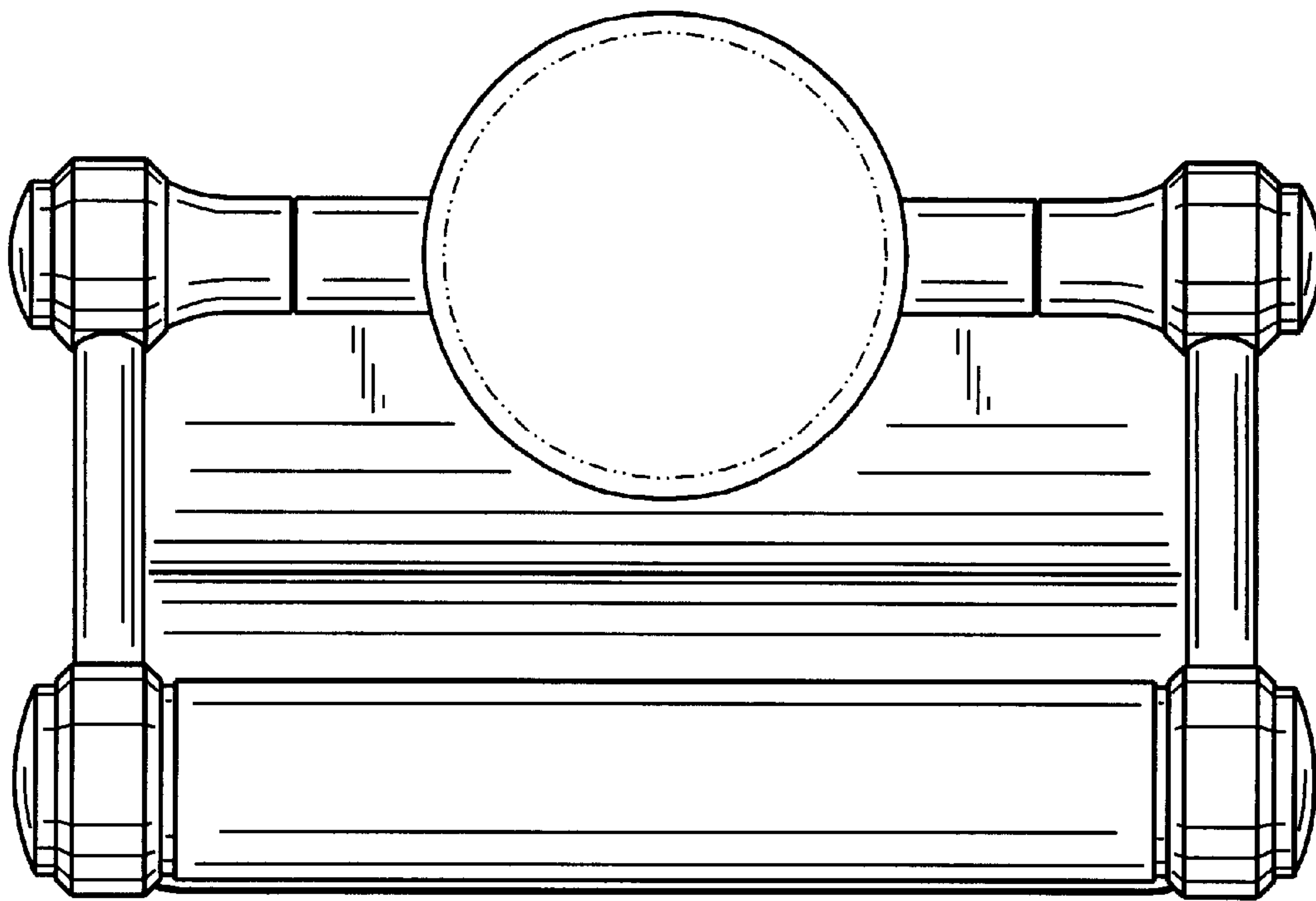


FIG. 3

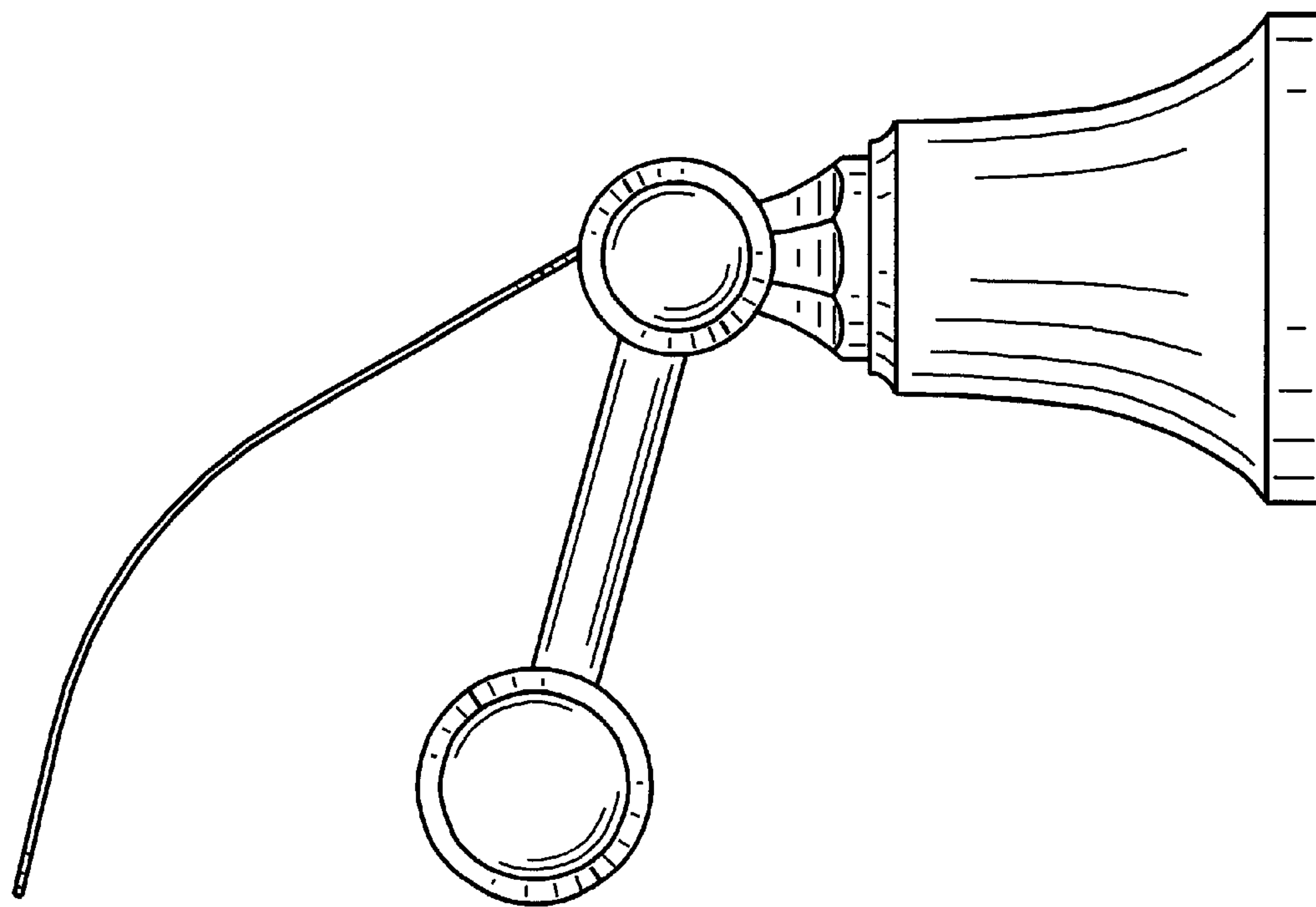


FIG. 4