



US00D521287S

(12) **United States Design Patent**
Mellen et al.

(10) **Patent No.:** **US D521,287 S**

(45) **Date of Patent:** **** May 23, 2006**

(54) **TOWEL HOLDER WITH SUCTION DEVICE**

(75) Inventors: **Christopher M. Mellen**, New York, NY (US); **Louis F. Henry**, Scarsdale, NY (US); **Charles S. Paradise**, New York, NY (US)

(73) Assignee: **Design For Living, L.L.C.**, New York, NY (US)

(**) Term: **14 Years**

(21) Appl. No.: **29/232,228**

(22) Filed: **Jun. 16, 2005**

(51) **LOC (8) Cl.** **20-20**

(52) **U.S. Cl.** **D6/521**

(58) **Field of Classification Search** D6/518-523;
206/389, 391; 211/13.1, 59.1, 45, 89.01;
242/570, 590, 597, 597.7, 130.2; 248/309.1,
248/309.2

See application file for complete search history.

(56) **References Cited**

U.S. PATENT DOCUMENTS

- D298,597 S * 11/1988 Bell D6/521
- D432,828 S * 10/2000 Snell D6/522
- D474,360 S * 5/2003 Yip D6/521
- D479,072 S * 9/2003 Duncan et al. D6/521

- D489,558 S * 5/2004 Snell D6/521
- D499,916 S * 12/2004 Yang et al. D6/521
- D507,716 S * 7/2005 Snow et al. D6/521

* cited by examiner

Primary Examiner—Brian N Vinson

(74) *Attorney, Agent, or Firm*—Lathrop & Gage LC

(57) **CLAIM**

The ornamental design for a towel holder with suction device, as shown and described.

DESCRIPTION

FIG. 1 is a perspective view of a towel holder with suction device, showing the new design;

FIG. 2 is a front view of the towel holder with suction device of FIG. 1;

FIG. 3 is a right side view of the towel holder with suction device of FIG. 1;

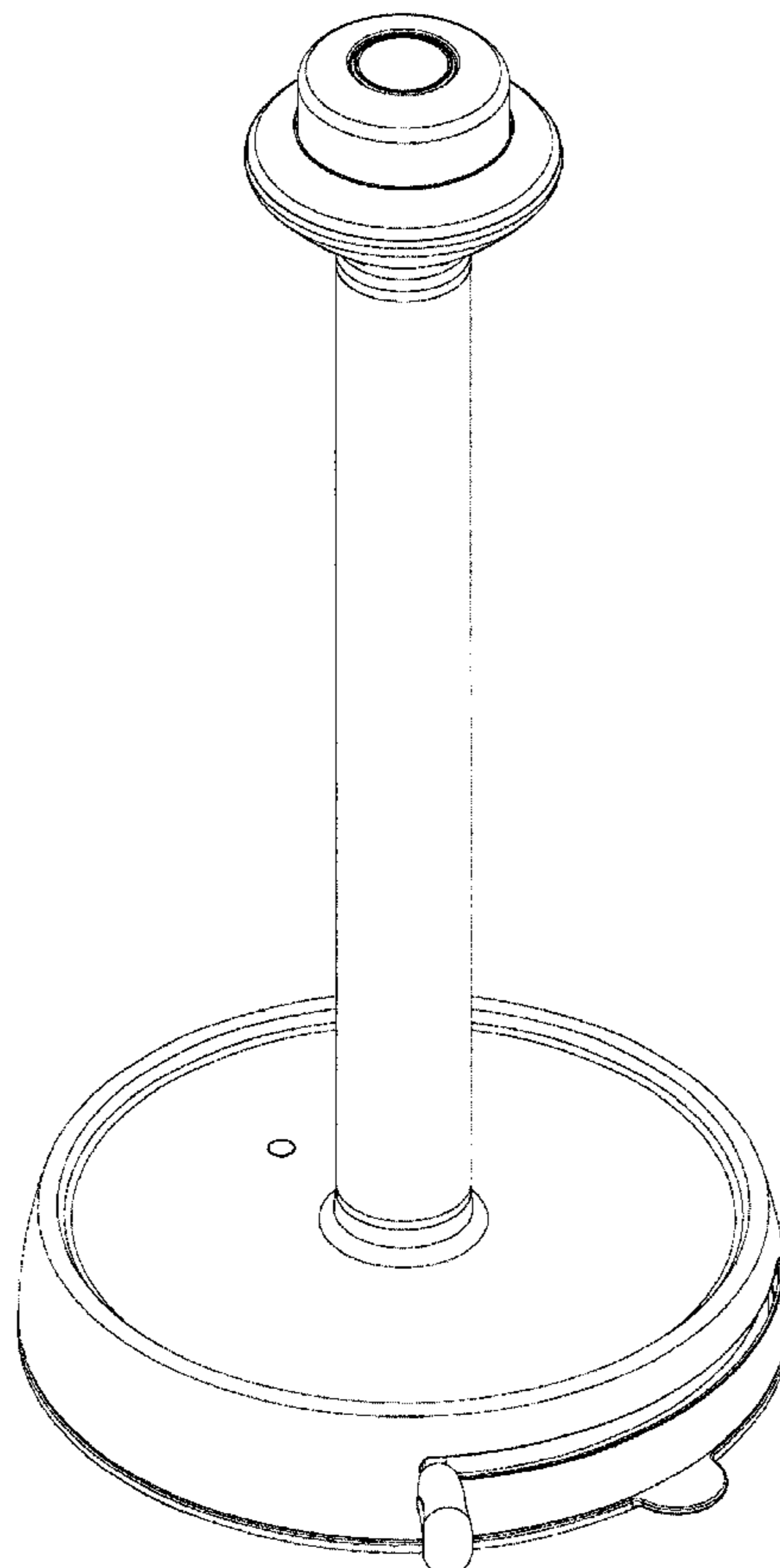
FIG. 4 is a left side view of the towel holder with suction device of FIG. 1;

FIG. 5 is a back view of the towel holder with suction device of FIG. 1;

FIG. 6 is the top view of the towel holder with suction device of FIG. 1; and,

FIG. 7 is the bottom view of the towel holder with suction device of FIG. 1.

1 Claim, 7 Drawing Sheets



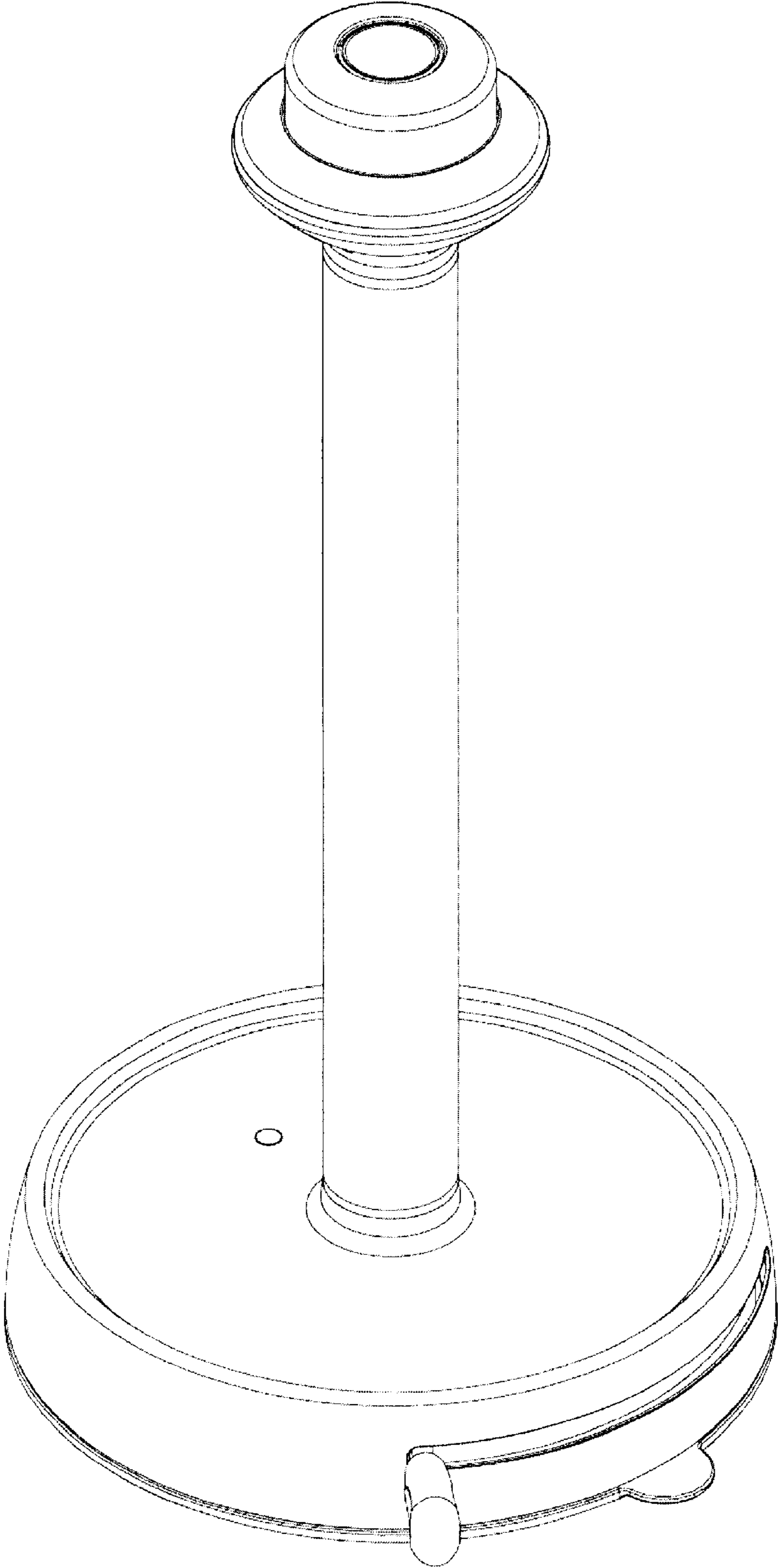


FIG. 1

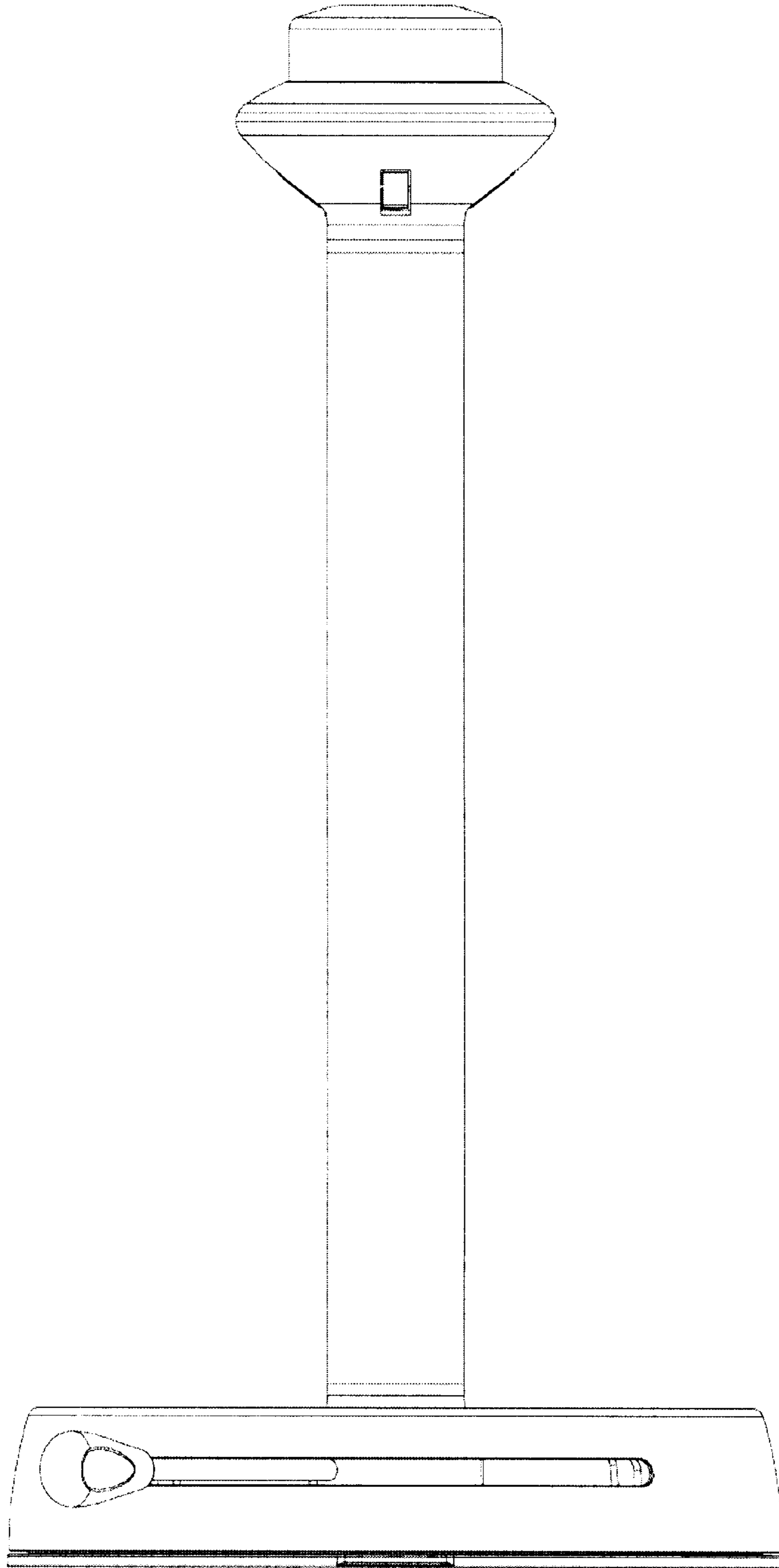


FIG. 2

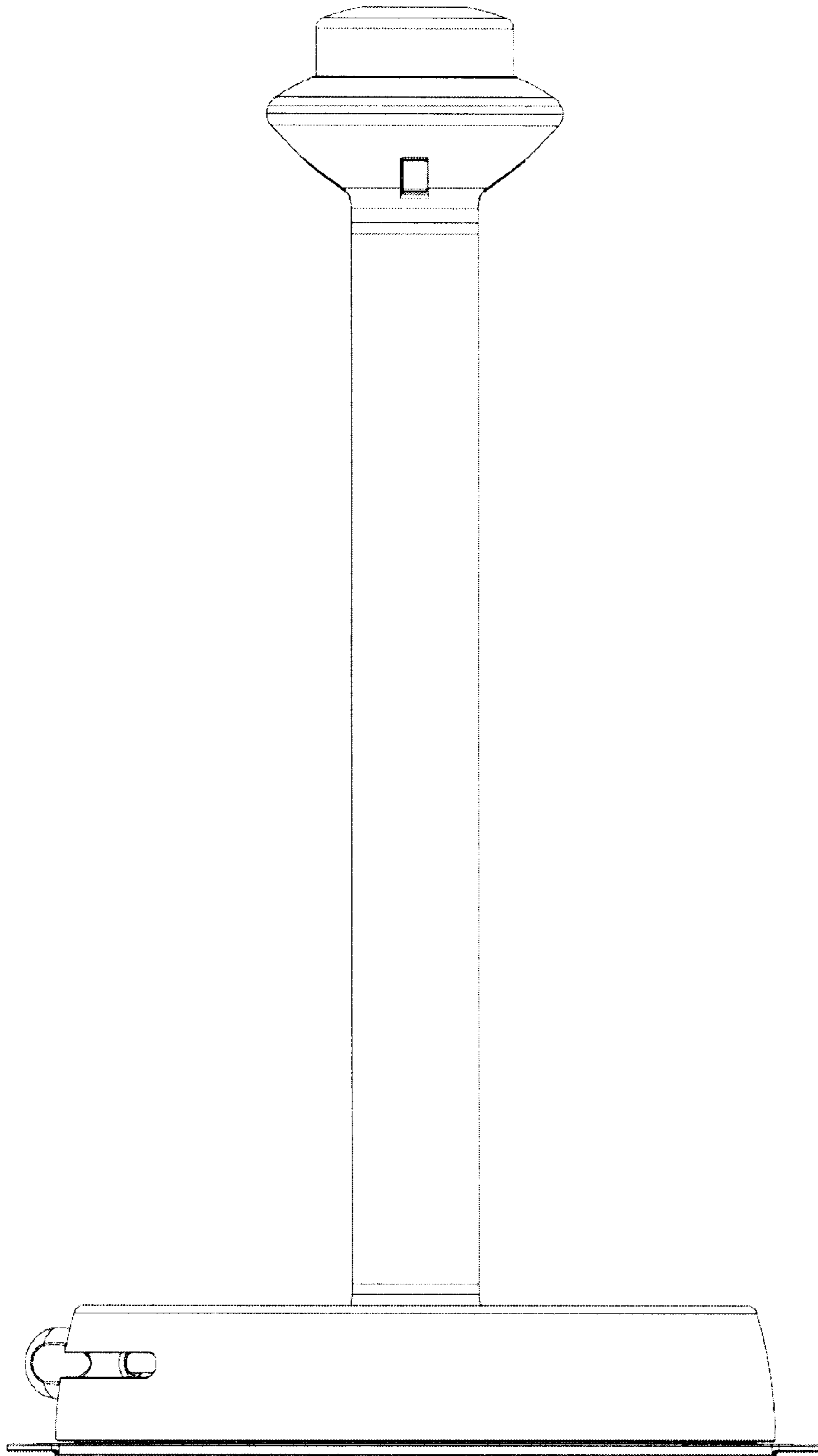


FIG. 3

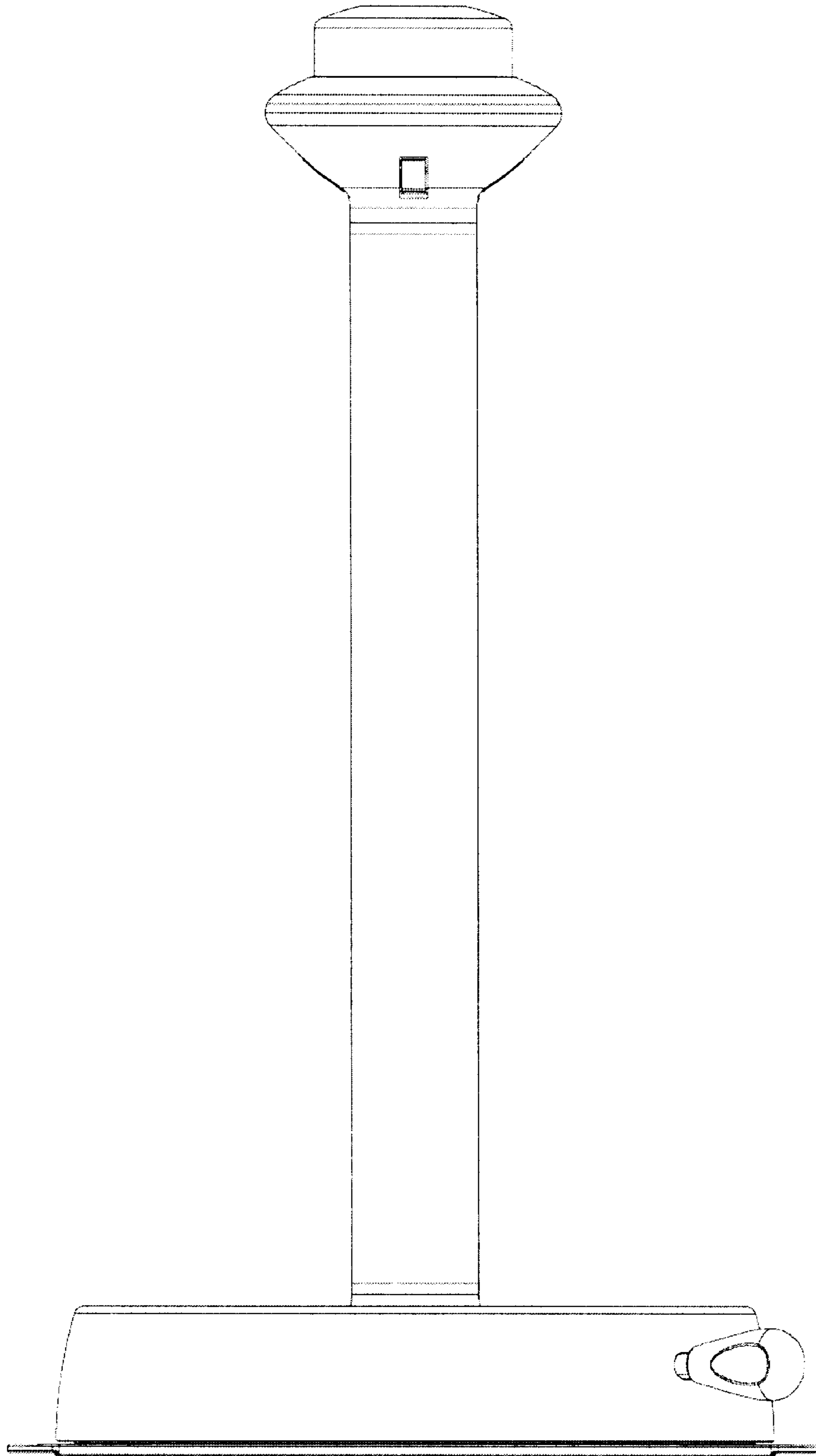


FIG. 4

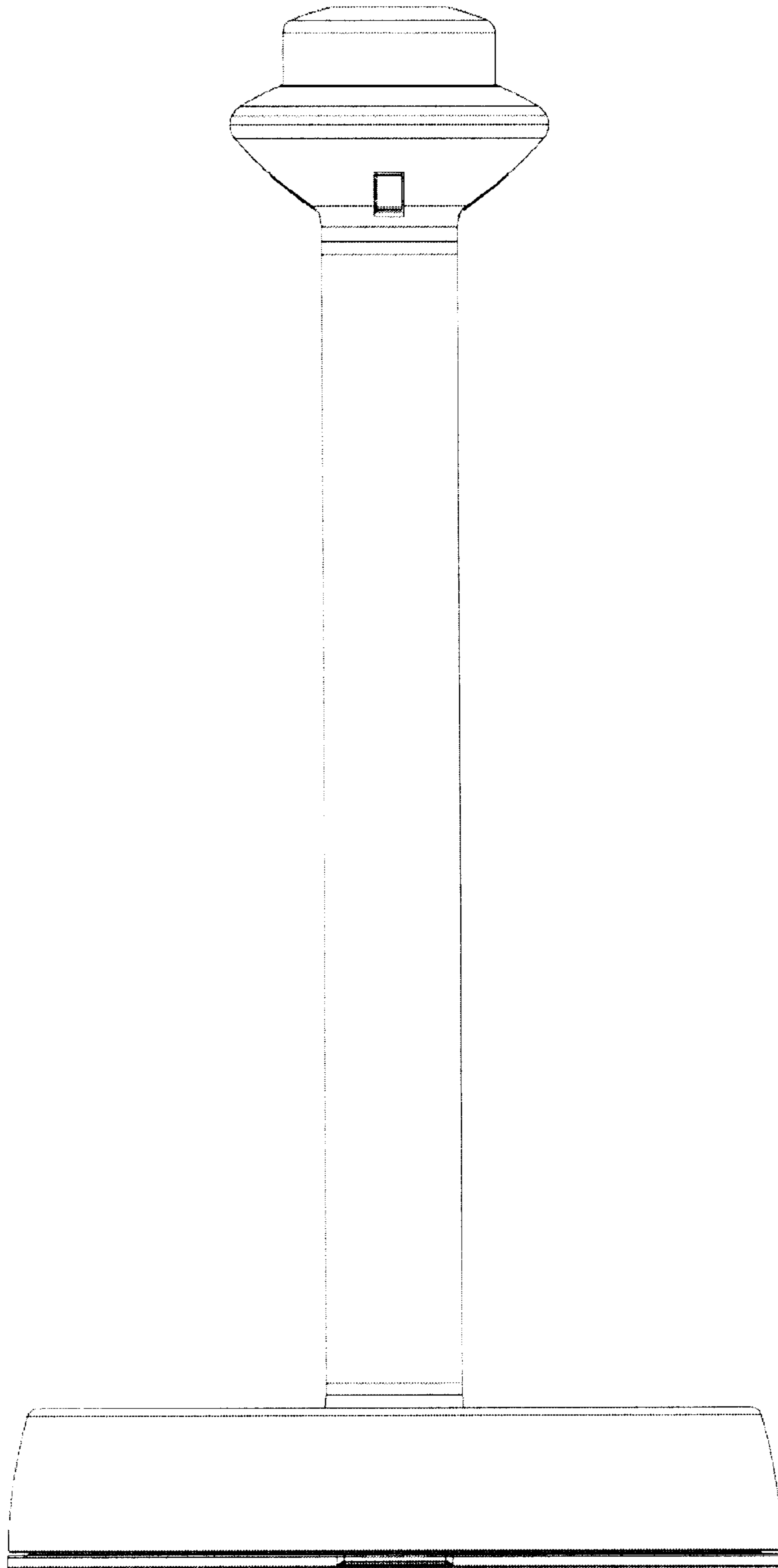


FIG. 5

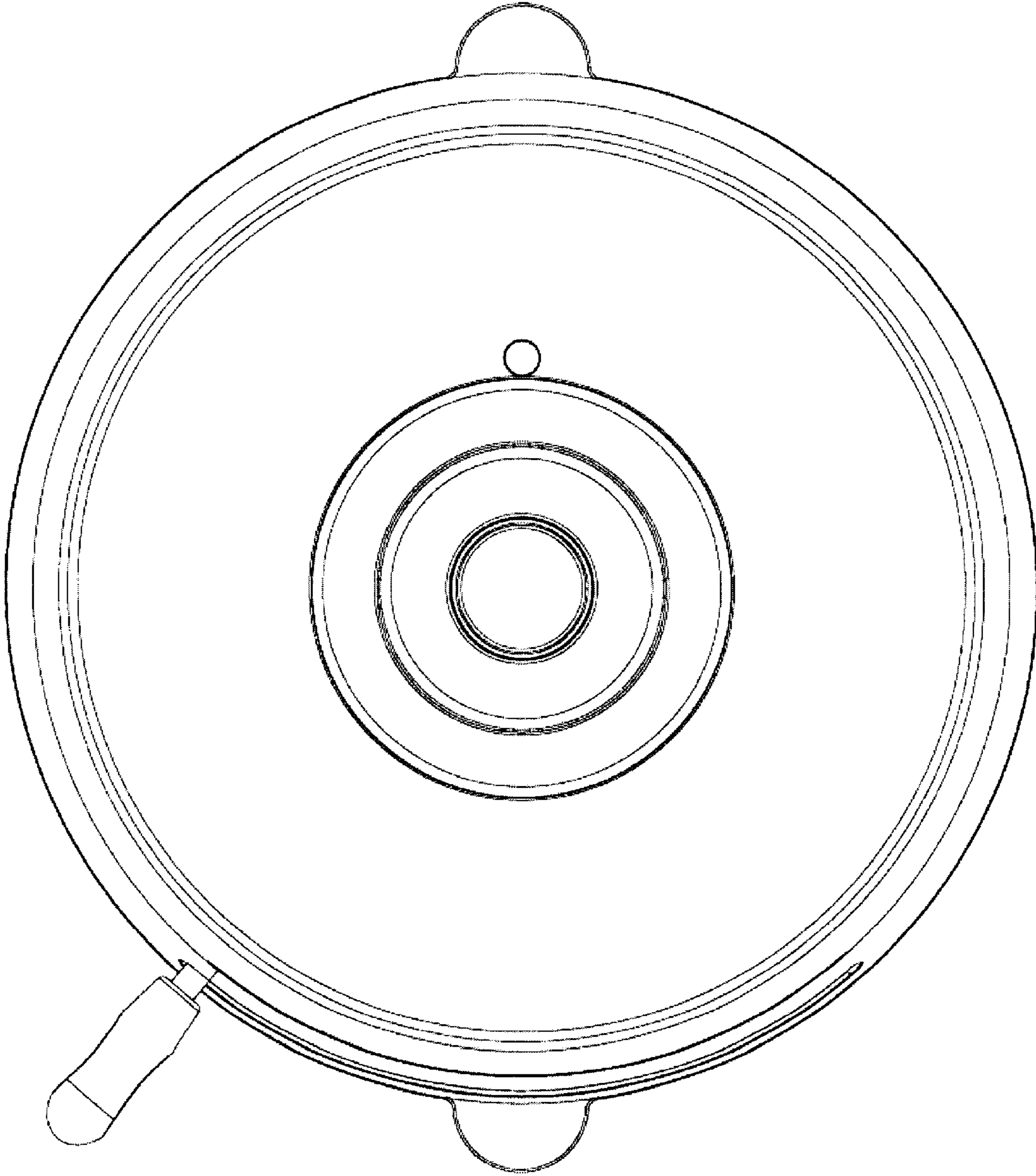


FIG. 6

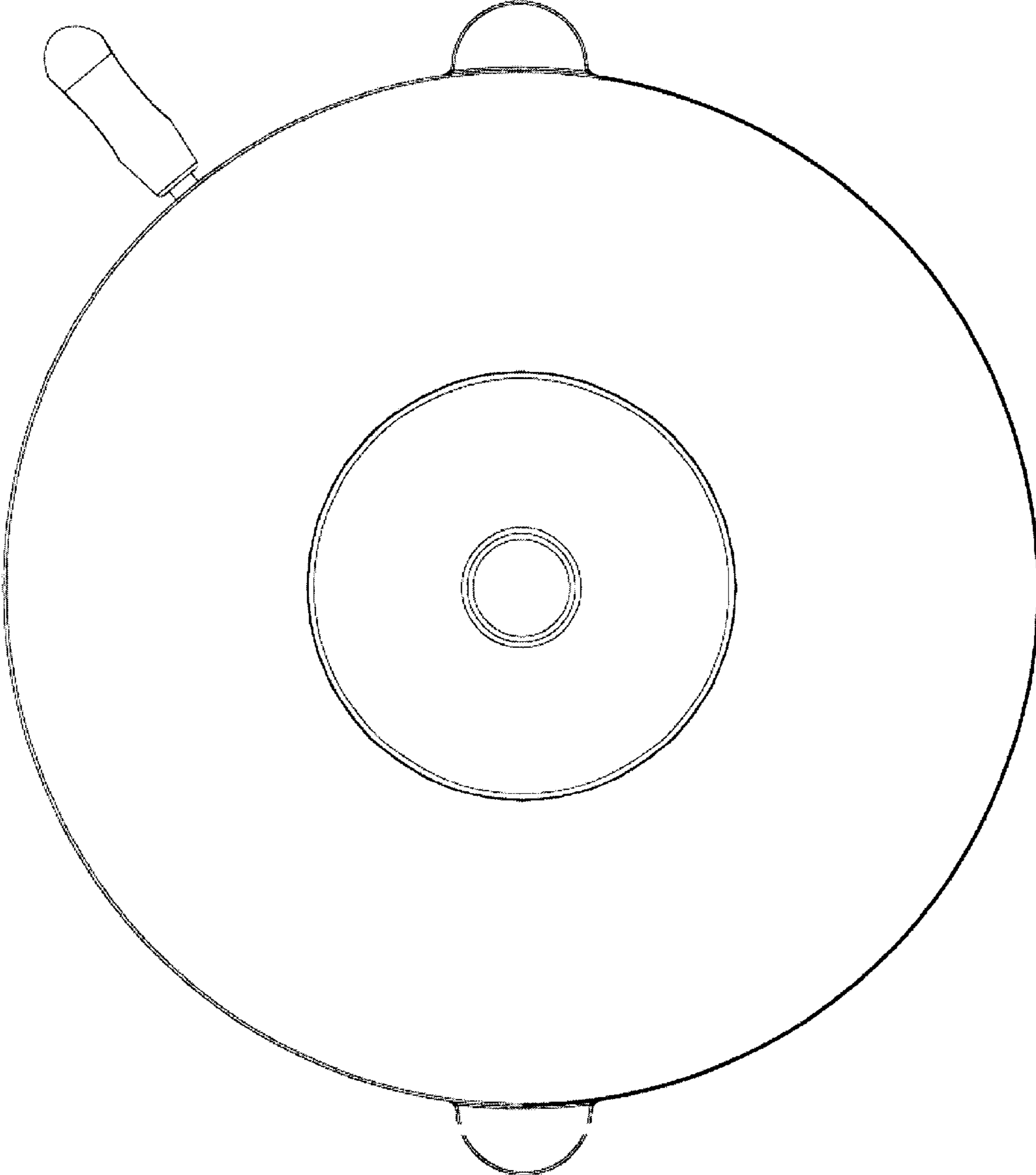


FIG. 7