



US00D521286S

(12) **United States Design Patent**  
**Colmenares**

(10) **Patent No.:** **US D521,286 S**

(45) **Date of Patent:** **\*\* May 23, 2006**

- (54) **SHELF WITH LIGHTING GRID**
- (75) Inventor: **Elias A. Colmenares**, Edo. Miranda (VE)
- (73) Assignee: **Alternativas Visuales L.R. C.A.** (VE)
- (\*\*) Term: **14 Years**
- (21) Appl. No.: **29/218,606**
- (22) Filed: **Dec. 3, 2004**
- (30) **Foreign Application Priority Data**  
Jun. 29, 2004 (VE) ..... 1047-2004
- (51) **LOC (8) Cl.** ..... **06-06**
- (52) **U.S. Cl.** ..... **D6/511; D26/51**
- (58) **Field of Classification Search** ..... D6/396, D6/397, 399, 426, 477-479, 511, 574; 108/152, 108/50.11; 211/90.01, 134, 153, 183; 362/125, 362/127; D26/51, 58  
See application file for complete search history.

- 5,097,969 A \* 3/1992 Maxworthy ..... 211/153
- D328,680 S \* 8/1992 Zapf ..... D6/511
- D330,090 S \* 10/1992 Walter et al. .... D26/51
- 5,626,084 A \* 5/1997 Kelly et al. .... 108/23
- D385,140 S \* 10/1997 Whitehead et al. .... D6/574
- 5,690,415 A \* 11/1997 Krehl ..... 362/125
- D398,166 S \* 9/1998 Mitchell ..... D6/426
- 6,431,721 B1 \* 8/2002 Shemitz et al. .... 362/125
- 6,702,128 B1 \* 3/2004 Winig et al. .... 211/90.01
- D493,009 S \* 7/2004 Ken ..... D26/51

\* cited by examiner

*Primary Examiner*—Cathron C. Brooks

(74) *Attorney, Agent, or Firm*—Ostrolenk, Faber, Gerb & Soffen, LLP

(57) **CLAIM**

The ornamental design for a shelf with lighting grid, as shown and described.

**DESCRIPTION**

FIG. 1 is a perspective view of the shelf with lighting grid of the present invention;

FIG. 2 is a top view thereof;

FIG. 3 is a front view thereof;

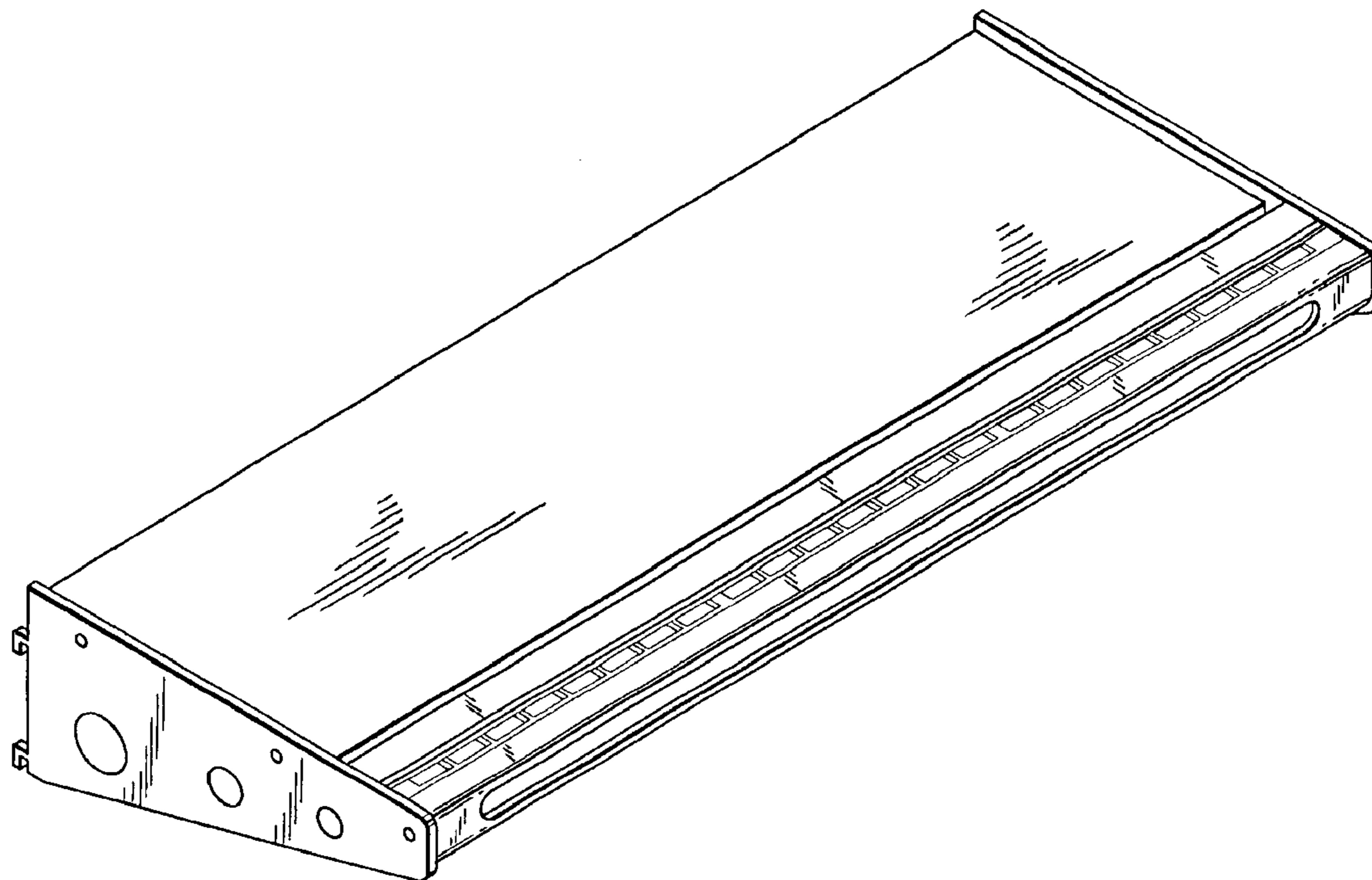
FIG. 4 is a right side view thereof; and,

FIG. 5 is a left side view thereof.

The bottom and back views do not form part of the design.

**1 Claim, 2 Drawing Sheets**

- (56) **References Cited**  
U.S. PATENT DOCUMENTS  
D146,982 S \* 6/1947 Phillips ..... D26/51  
4,631,881 A \* 12/1986 Charman ..... 52/220.7  
D290,567 S \* 6/1987 Spicer ..... D6/574  
4,994,943 A \* 2/1991 Aspenwall ..... 362/219



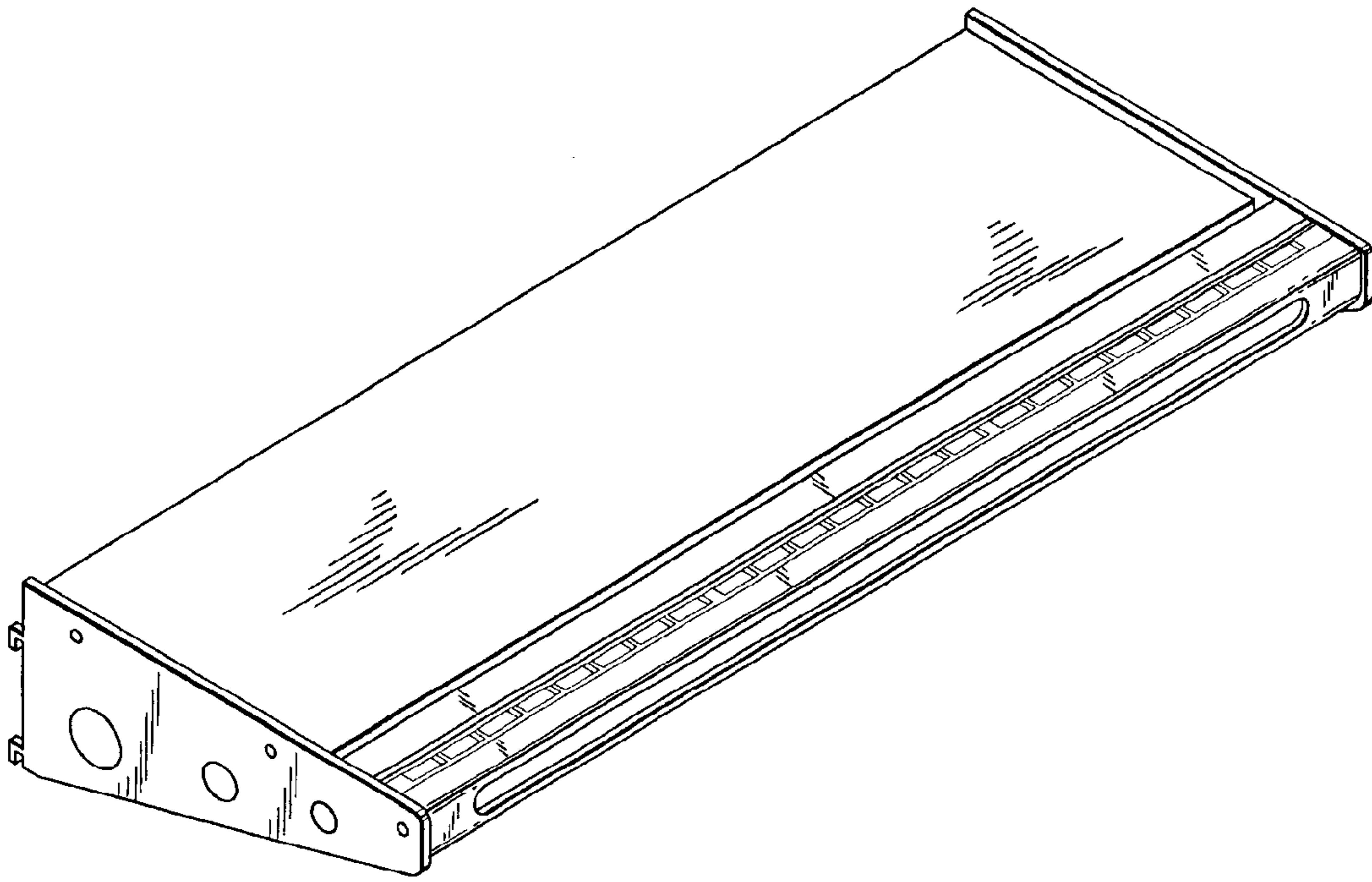


FIG. 1

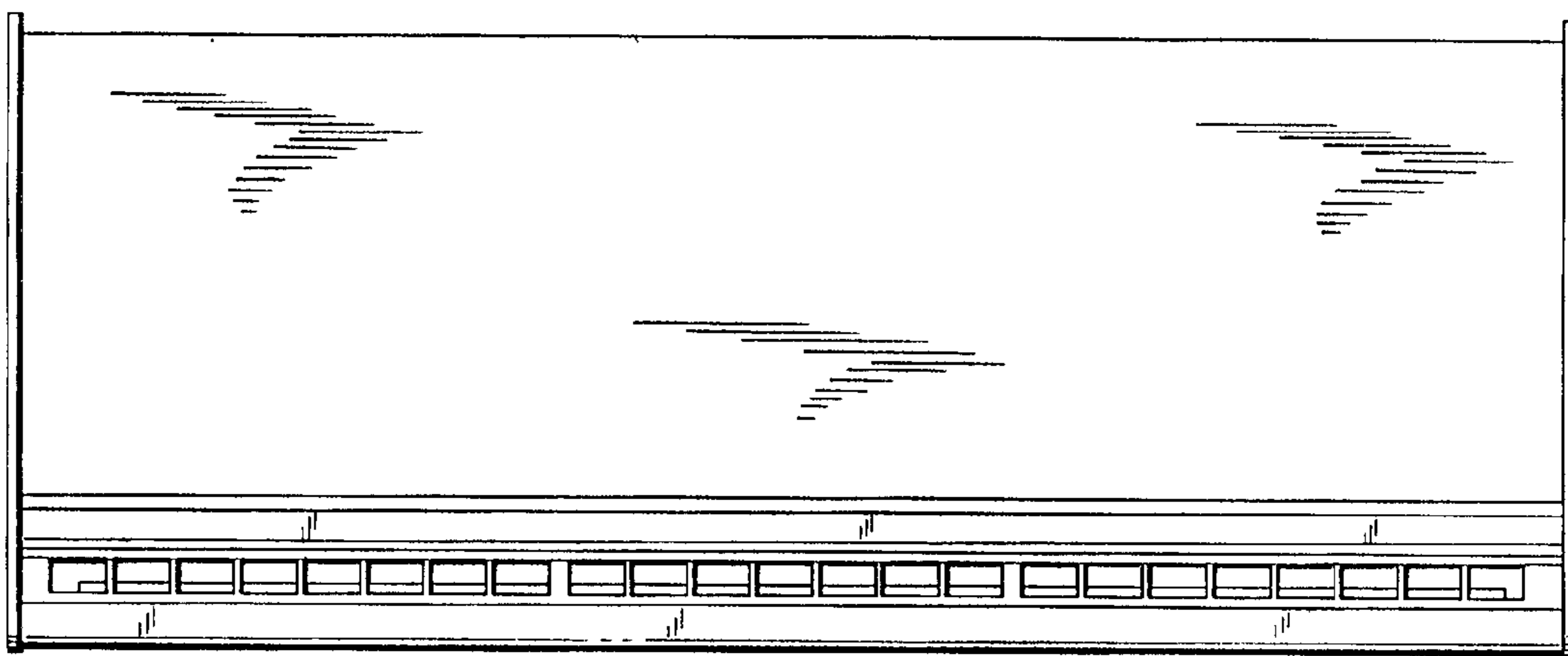


FIG. 2

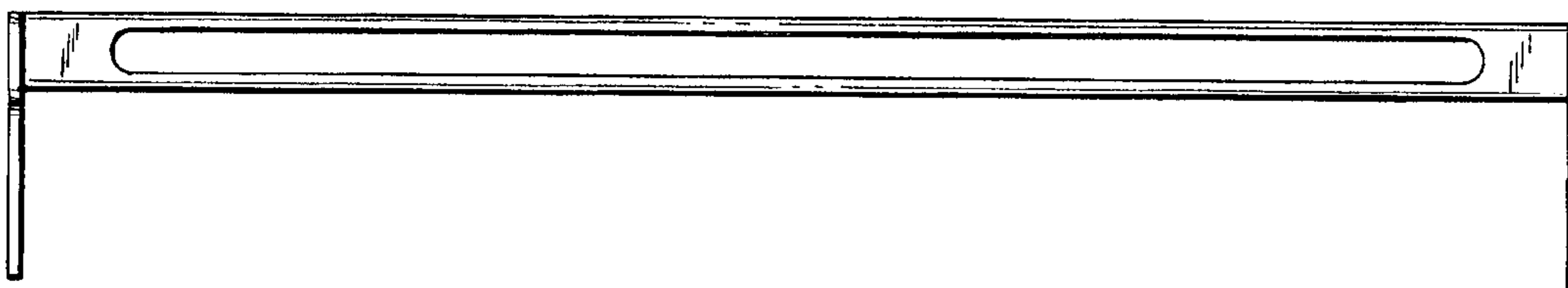


FIG. 3

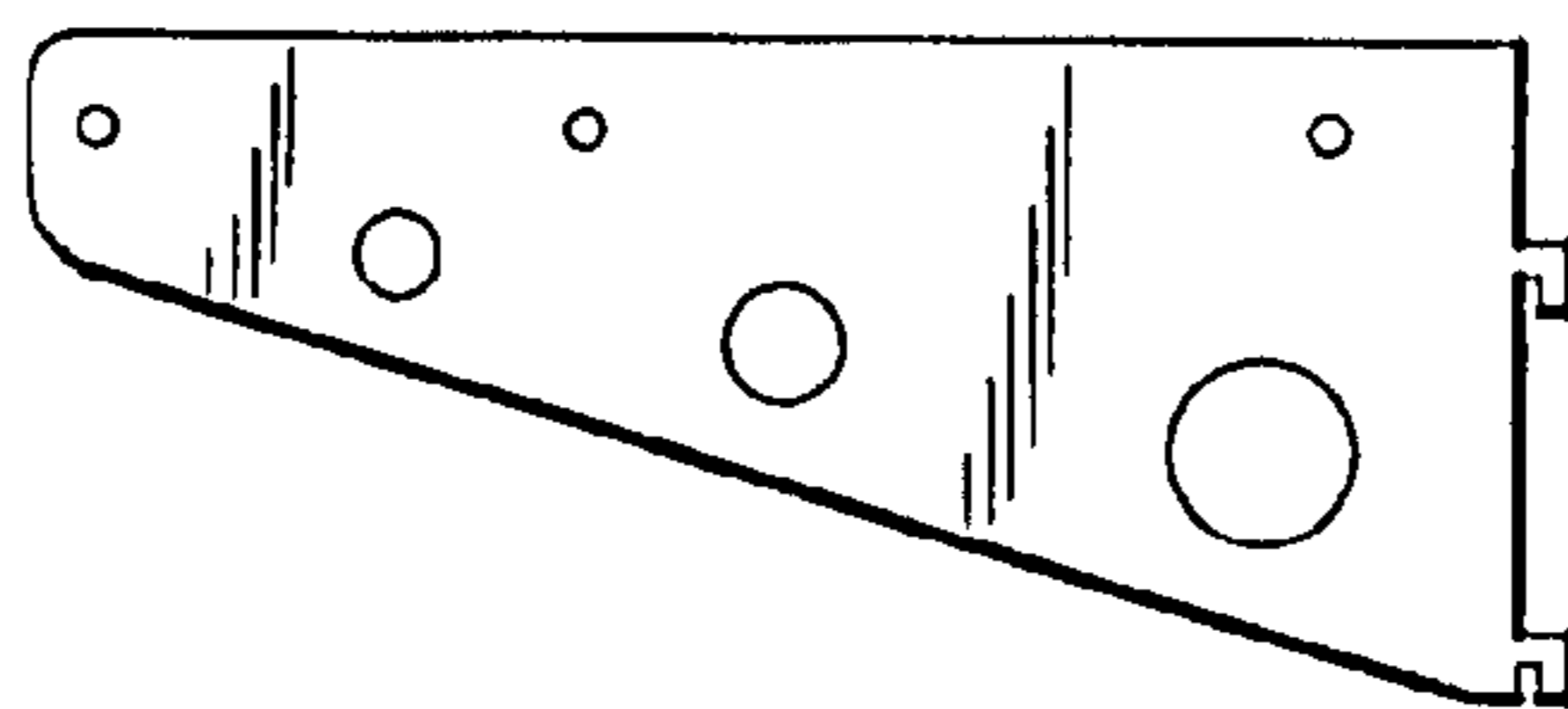


FIG. 4

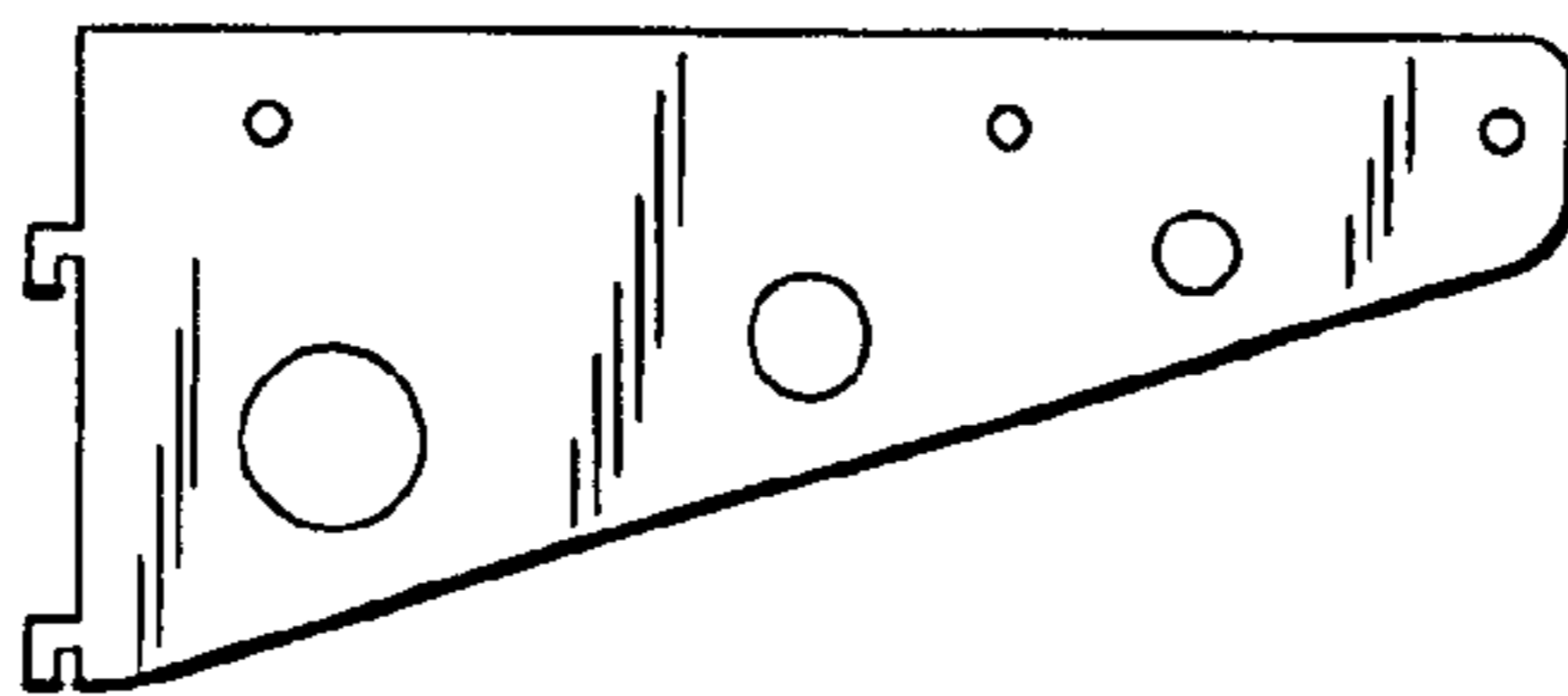


FIG. 5