

US00D521282S

(12) **United States Design Patent** (10) **Patent No.:** **US D521,282 S**
Glass et al. (45) **Date of Patent:** **** May 23, 2006**

(54) **CHAIR DESK COMBINATION FRAME**
(75) Inventors: **Peter Glass**, Arroyo Grande, CA (US);
Robert J. Mills, Torrance, CA (US)
(73) Assignee: **Virco Mgmt. Corporation**, Torrance,
CA (US)
(**) Term: **14 Years**

(21) Appl. No.: **29/216,345**
(22) Filed: **Nov. 2, 2004**
(51) **LOC (8) Cl.** **06-01**
(52) **U.S. Cl.** **D6/500**
(58) **Field of Classification Search** D6/334-339,
D6/349, 352, 364-366, 353, 369, 370, 495,
D6/500-502, 367, 368, 379, 480, 481, 483,
D6/484; 5/12.1; 297/445.1, 232, 446.1, 447.3,
297/448.1, 452.1, 118, 119, 122-126; 312/235.9;
108/11, 13, 15, 115
See application file for complete search history.

(56) **References Cited**
U.S. PATENT DOCUMENTS

1,420,404	A	6/1922	Beaver	
1,452,343	A	4/1923	Jones	
2,488,222	A	* 11/1949	Morgan	312/235.9
D159,975	S	* 9/1950	Gilkison	D6/338
D163,170	S	5/1951	Eibetz	
D165,773	S	1/1952	Bargen	
2,722,965	A	11/1955	Chapman et al.	
2,732,007	A	1/1956	MacWhirter	
D176,881	S	2/1956	Phillips	
D181,703	S	12/1957	Bargen	
D189,347	S	* 11/1960	Chapman	D6/375
2,970,635	A	2/1961	Fields	
D197,283	S	* 1/1964	Williams	D6/338
3,133,765	A	* 5/1964	Kramer	297/446.1
D202,550	S	* 10/1965	Kramer	D6/375
D206,721	S	* 1/1967	Durfee	D6/338
D226,066	S	* 1/1973	Barecki	D6/338
4,159,846	A	* 7/1979	Tolleson	297/162
D333,044	S	* 2/1993	Caruso	D6/373
D348,569	S	* 7/1994	Haussmann	D6/338
D360,083	S	* 7/1995	Lohmeyer	D6/375
D406,195	S	* 3/1999	Gamberini	D6/341
D425,321	S	* 5/2000	Tholkes et al.	D6/338

D471,729	S	* 3/2003	Glass et al.	D6/375
D475,207	S	* 6/2003	Bohl et al.	D6/338
D503,559	S	* 4/2005	Glass et al.	D6/372
D504,026	S	* 4/2005	Glass et al.	D6/366
D505,022	S	* 5/2005	Mills et al.	D6/338
D507,890	S	* 8/2005	Mills et al.	D6/336
D507,893	S	* 8/2005	Glass et al.	D6/360
2003/0227210	A1	* 12/2003	Bosman et al.	297/446.2
2003/0230914	A1	* 12/2003	Bosman et al.	297/183.7

OTHER PUBLICATIONS

Virco Furniture Solutions 2003 General Catalog, pp. 60, 61, 64, and 67, model Nos. 3400BR, 3700BR, 3400LABR, 9400BR, 9700BR, 9400LABR, 2700BR, and 2400BR, Nov. 2002.
Artco-Bell Corporation Furniture to Enhance Education catalog, pp. 6 and 13, model Nos. 7457, H257, and H457, undated.
Royal Seating Corporation Educational and Computer Furniture catalog, pp. 16,17, and 45, model Nos. 1401, 4403, 6700, and CR-150, undated.
Scholarcraft School Furniture catalog, pp. 14, 15, 16, 17, 18, 19, and 20, model Nos. 620, 630, 640, 650, 680, 780, 850, 880, 880JT, and 950, undated.

* cited by examiner

Primary Examiner—Sandra S. Snapp
(74) *Attorney, Agent, or Firm*—Robert M. Hupe; Virco Mgmt. Corporation

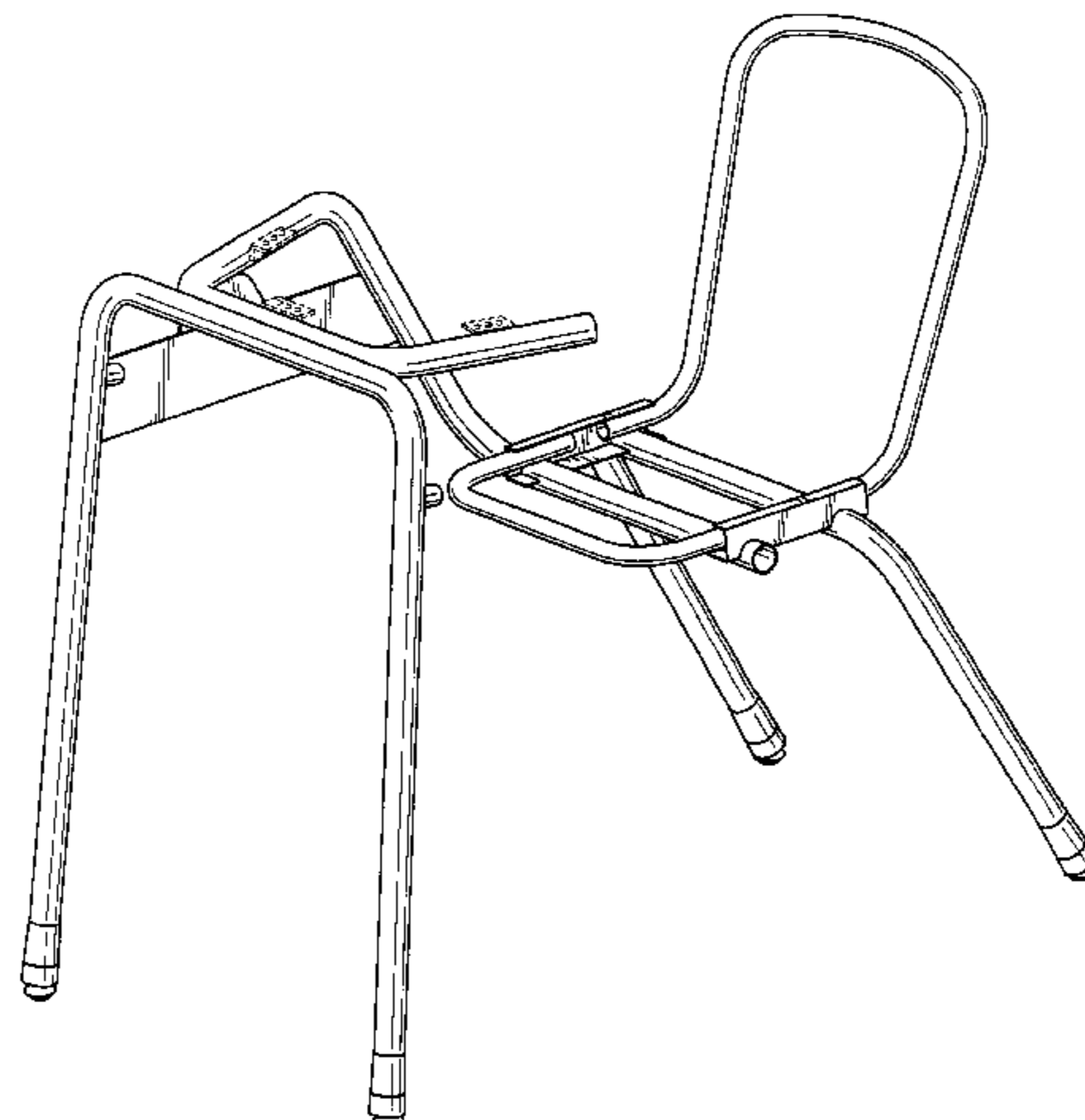
(57) **CLAIM**

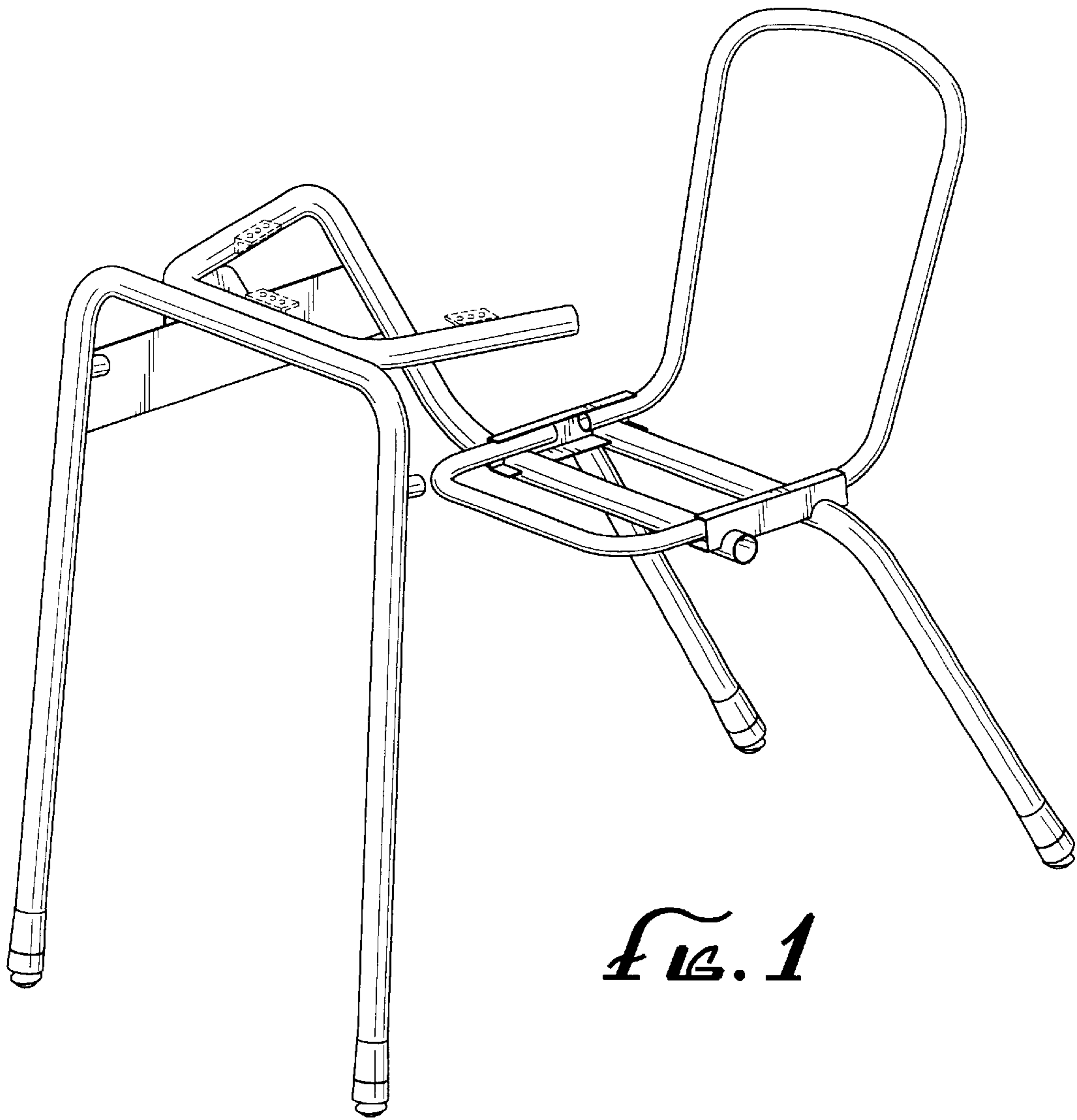
The ornamental design for a chair desk combination frame, as shown and described.

DESCRIPTION

FIG. 1 is a perspective view of a chair desk combination frame showing my new design; FIG. 2 is a front elevation view thereof; FIG. 3 is a left side view thereof; FIG. 4 is a right side view thereof; FIG. 5 is a top view thereof; FIG. 6 is a bottom view thereof; and, FIG. 7 is a back elevation view thereof. The broken lines in the drawings are for illustrative purposes only and form no part of the claimed design.

1 Claim, 6 Drawing Sheets





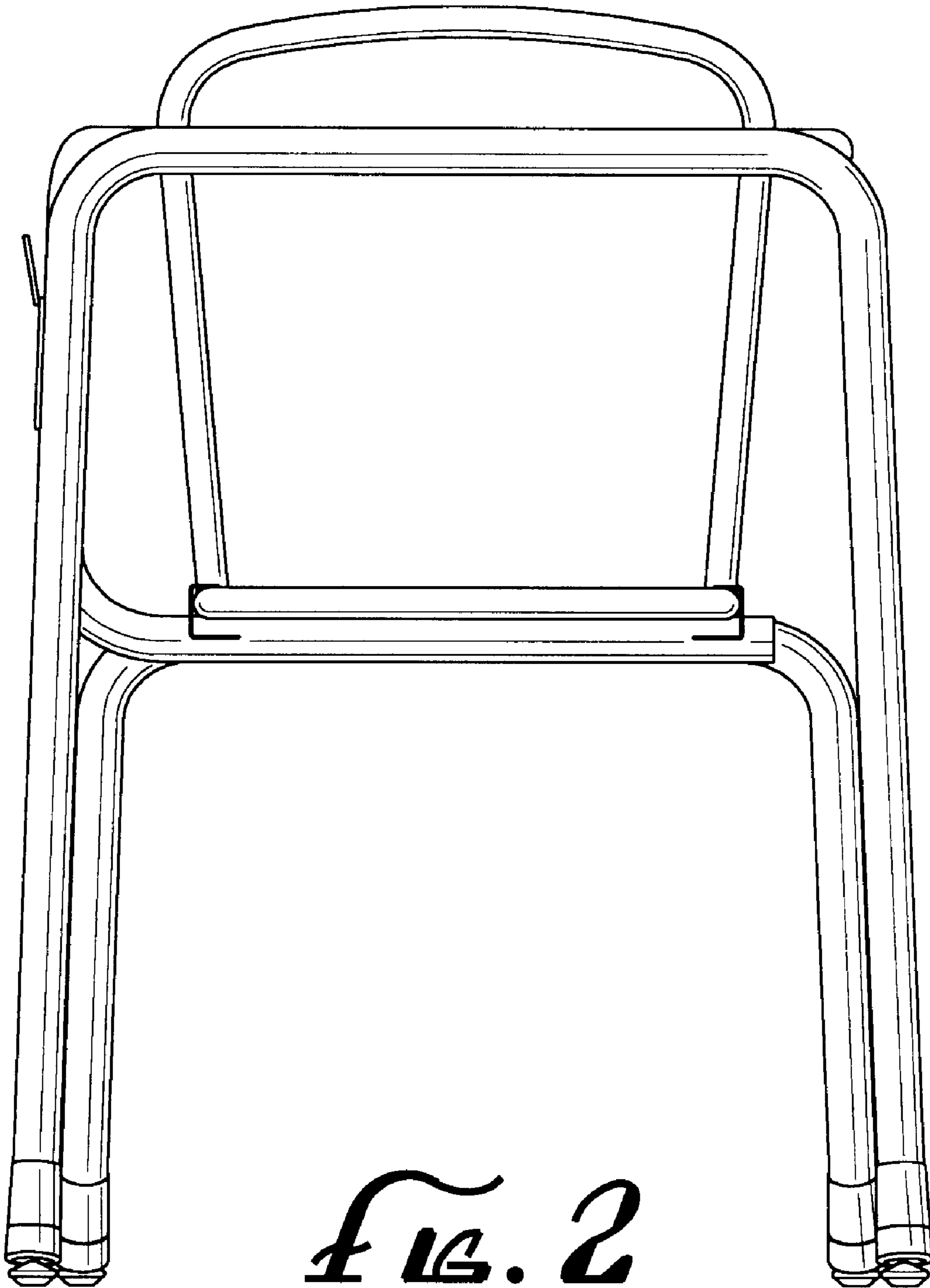
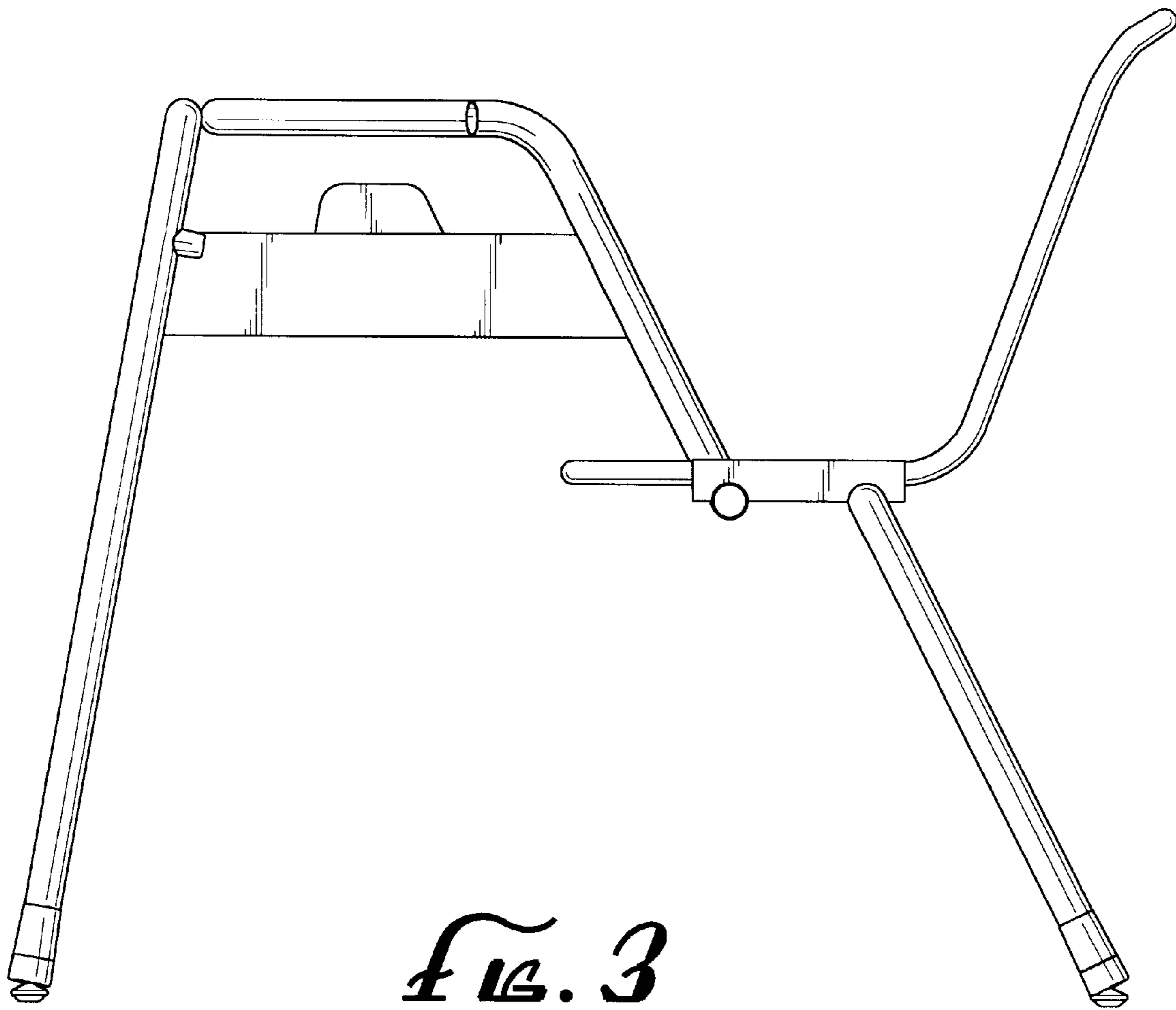


FIG. 2



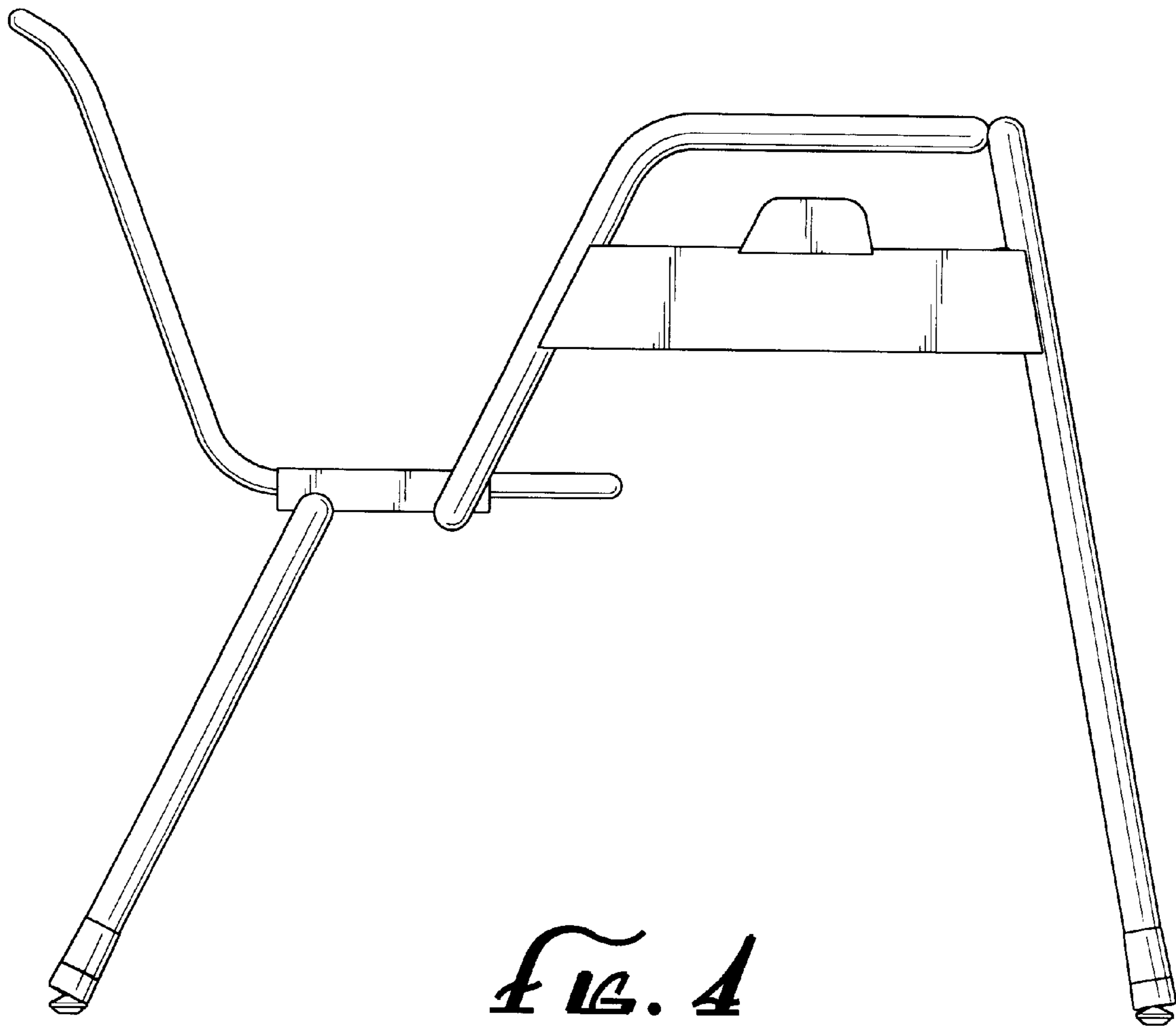


FIG. 4

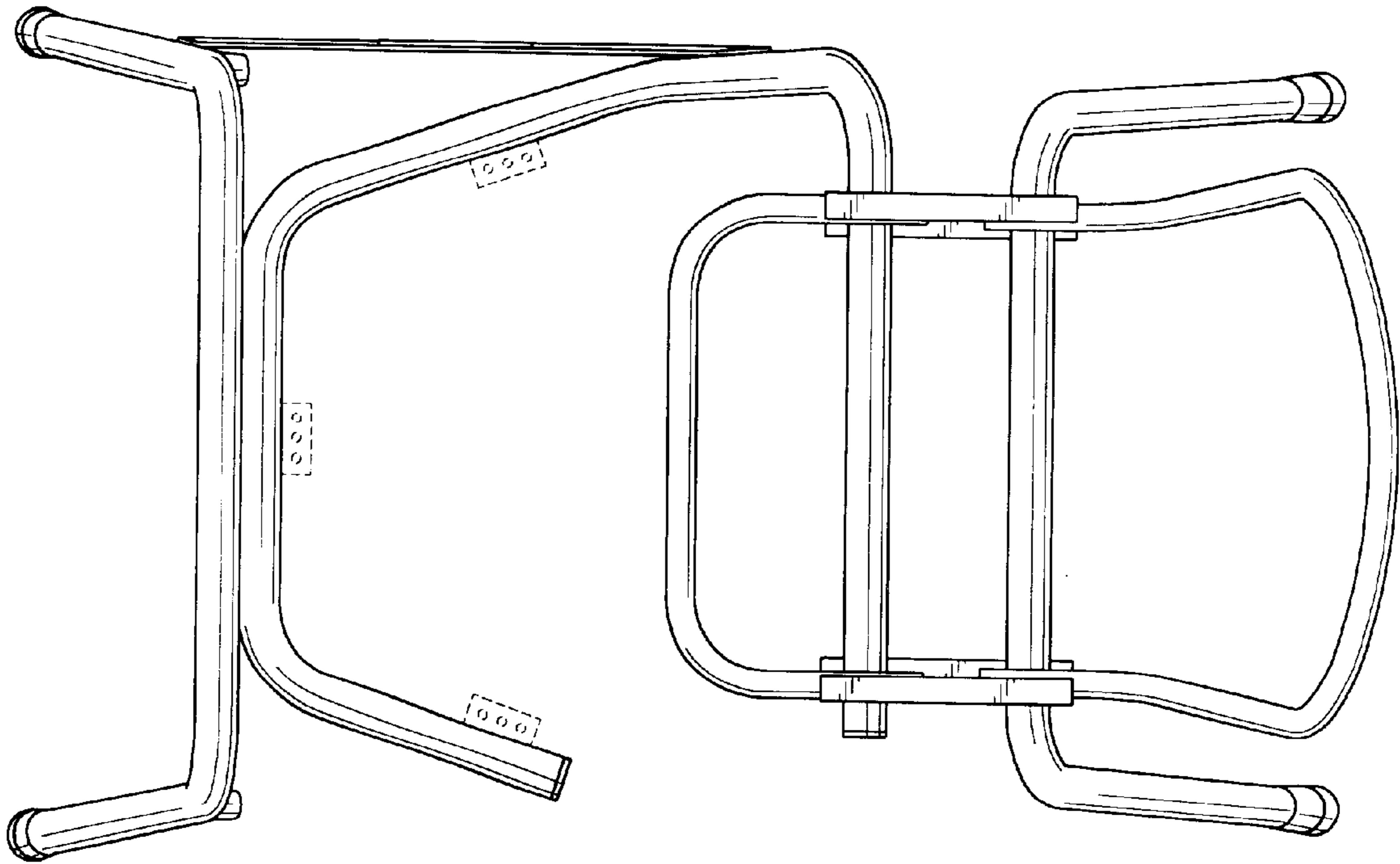


Fig. 5

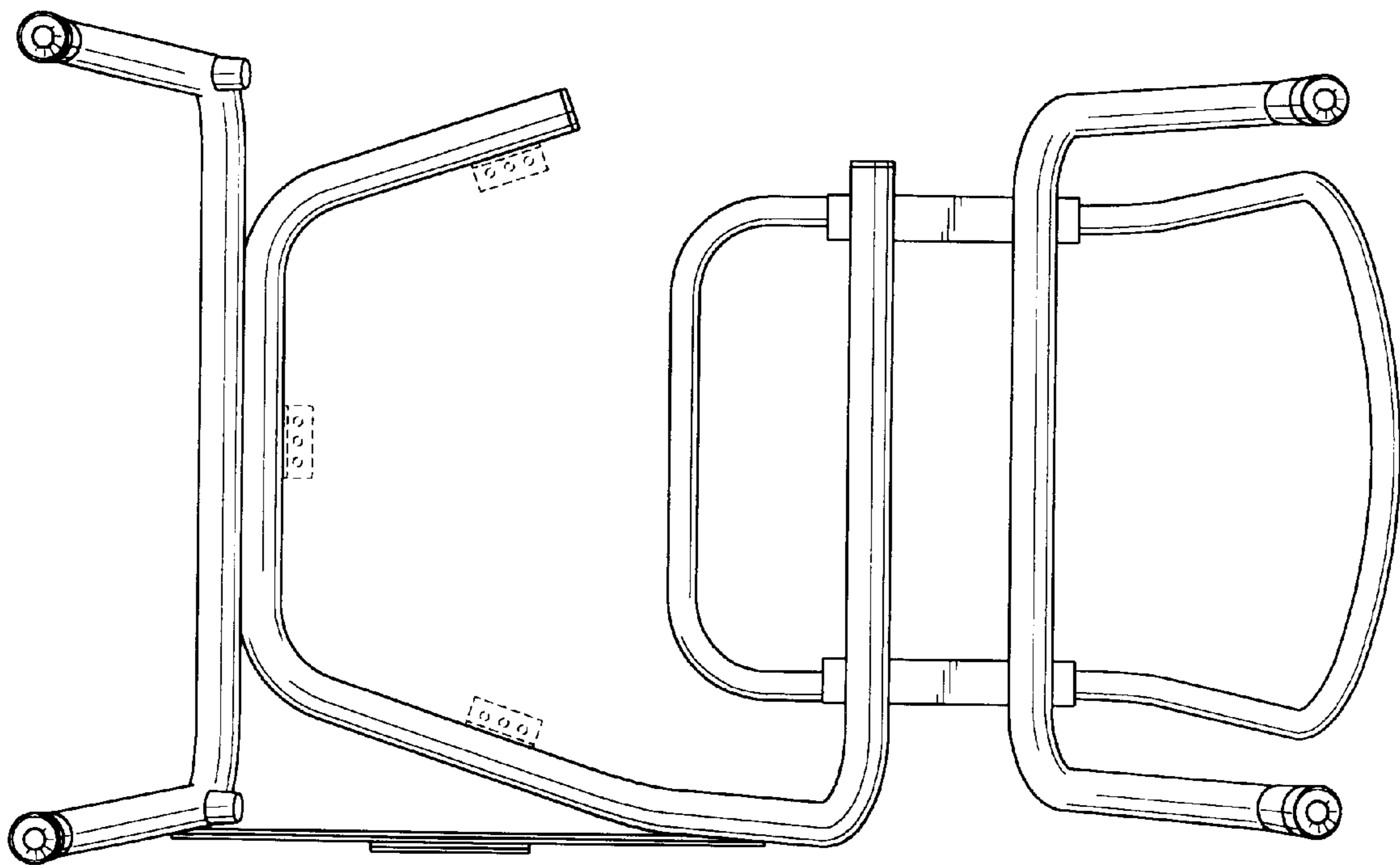


Fig. 6

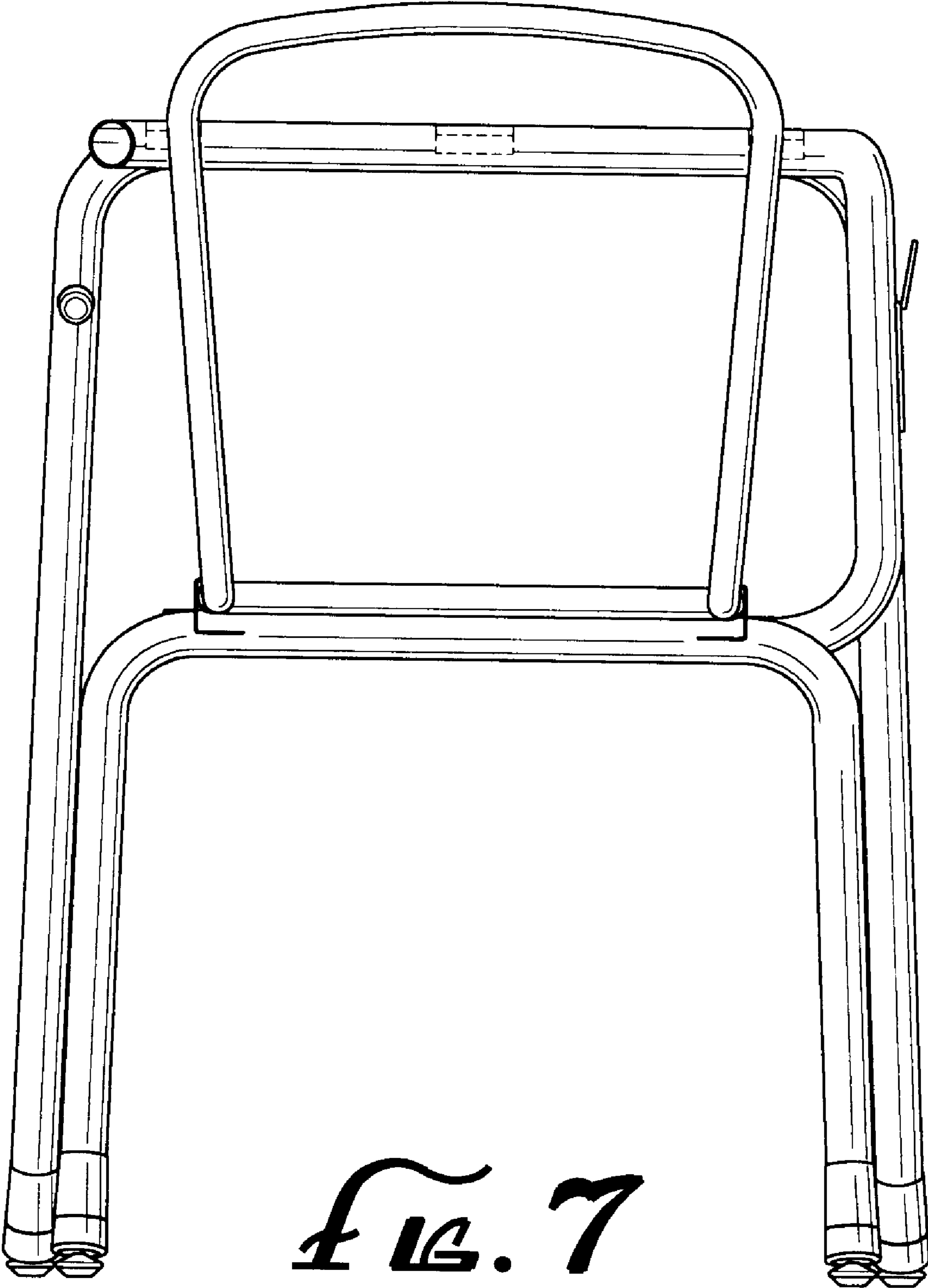


FIG. 7