

US00D521281S

(12) **United States Design Patent**
Luebke

(10) **Patent No.:** **US D521,281 S**

(45) **Date of Patent:** **** May 23, 2006**

(54) **TRANSPORTATION SEAT ASSEMBLY**

(75) Inventor: **William John Luebke**, Wheeling, IL
(US)

(73) Assignee: **Kustom Seating Upholstery, Inc.**,
Bellwood, IL (US)

(**) Term: **14 Years**

(21) Appl. No.: **29/198,383**

(22) Filed: **Jan. 29, 2004**

(51) **LOC (8) Cl.** **06-01**

(52) **U.S. Cl.** **D6/500; D6/356**

(58) **Field of Classification Search** D12/415,
D12/416, 419, 421, 423; 296/37.1, 37.6,
296/37.8; 224/275, 400, 539-543, 926, 928;
D6/334, 336, 356, 491, 492, 500-502; 297/115,
297/127, 188.01, 188.14, 188.15, 188.18,
297/188.19, 232

See application file for complete search history.

(56) **References Cited**

U.S. PATENT DOCUMENTS

D249,036 S *	8/1978	Ramalia et al.	D12/416
D260,058 S *	8/1981	Ponzellini	D6/336
D269,652 S *	7/1983	McKean et al.	D6/356
D273,157 S *	3/1984	Staub	D6/356
4,533,175 A *	8/1985	Brennan	297/232
5,037,157 A *	8/1991	Wain et al.	297/188.18
5,180,120 A *	1/1993	Simpson et al.	297/232
5,492,068 A *	2/1996	McKee	296/37.8
5,516,191 A *	5/1996	McKee	297/188.15
D375,480 S *	11/1996	Smith	D12/419
5,863,089 A *	1/1999	Ignarra et al.	296/37.8
5,897,155 A *	4/1999	Kerner et al.	296/37.8
5,947,554 A *	9/1999	Mashkevich	297/115
D430,535 S *	9/2000	Smith	D12/419
6,203,088 B1 *	3/2001	Fernandez et al.	296/37.8

D444,120 S *	6/2001	Smith	D12/419
6,264,261 B1 *	7/2001	Krafcik	296/37.8
6,547,326 B1 *	4/2003	Walkinshaw et al. ..	297/188.01
6,811,197 B1 *	11/2004	Grabowski et al.	296/37.8
6,851,736 B1 *	2/2005	Klopp et al.	296/37.8
2003/0085245 A1 *	5/2003	Chiku	224/275
2004/0217615 A1 *	11/2004	Lindstrom et al.	224/275

OTHER PUBLICATIONS

Declaration of William J. Luebke dated Apr. 22, 2005 and Coach and Car Equipment Corporation, PowerPoint Presentation of Rail Seating Program.

* cited by examiner

Primary Examiner—Mimosa De

(74) *Attorney, Agent, or Firm*—Wallenstein Wagner & Rockey, Ltd.

(57) **CLAIM**

I claim the ornamental design for a transportation seat assembly, as shown and described.

DESCRIPTION

FIG. 1 is a perspective view of the transportation seat assembly of the invention;

FIG. 2 is a rear perspective view of the transportation seat assembly of FIG. 1;

FIG. 3 is a front view of the transportation seat assembly of FIG. 1;

FIG. 4 is a rear view of the transportation seat assembly of FIG. 1;

FIG. 5 is a top view of the transportation seat assembly of FIG. 1; and,

FIG. 6 is a side view of the transportation seat assembly of FIG. 1.

Broken lines in the Figures are for illustrative purposes only and form no part of the claimed design.

1 Claim, 4 Drawing Sheets

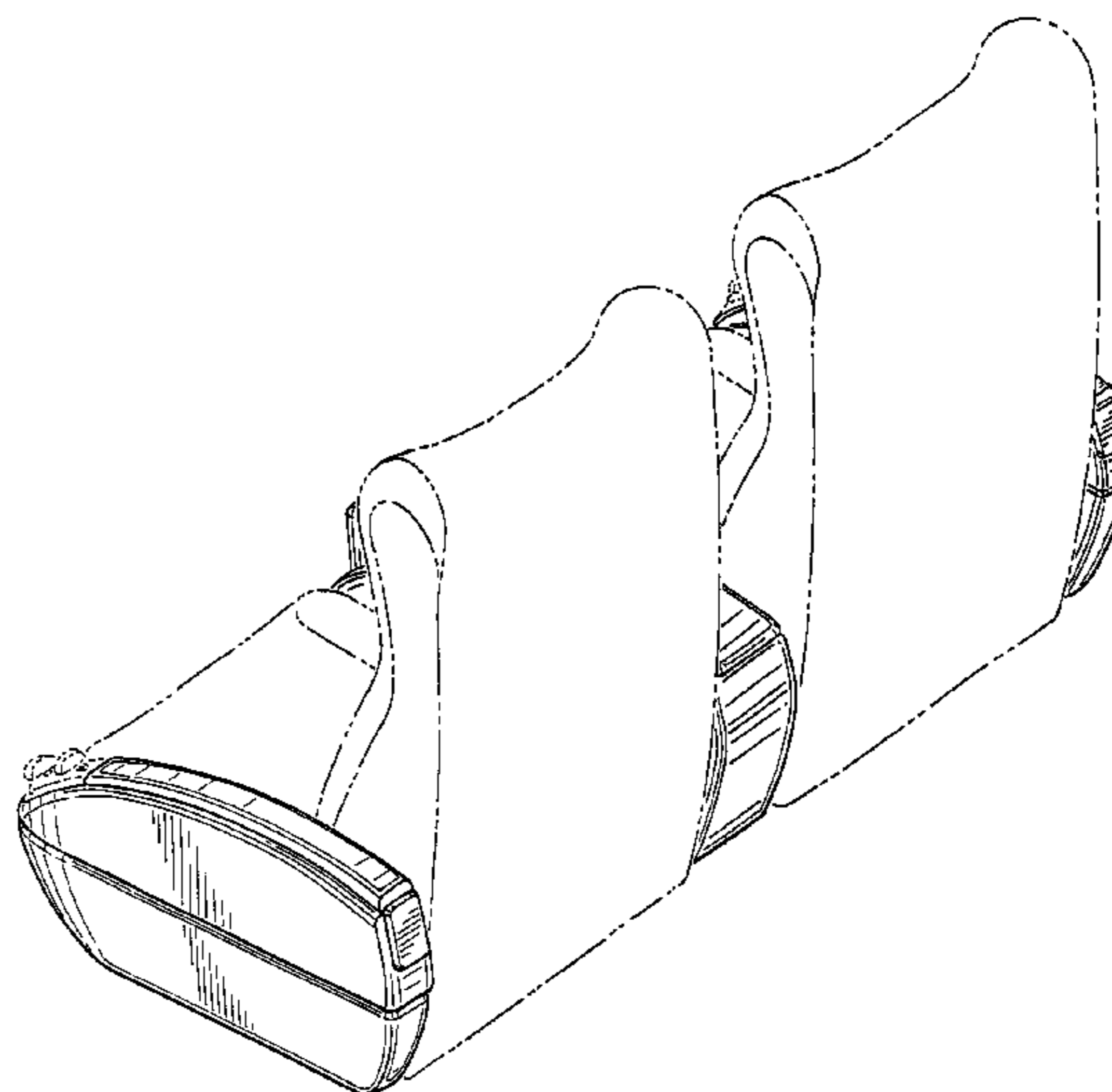
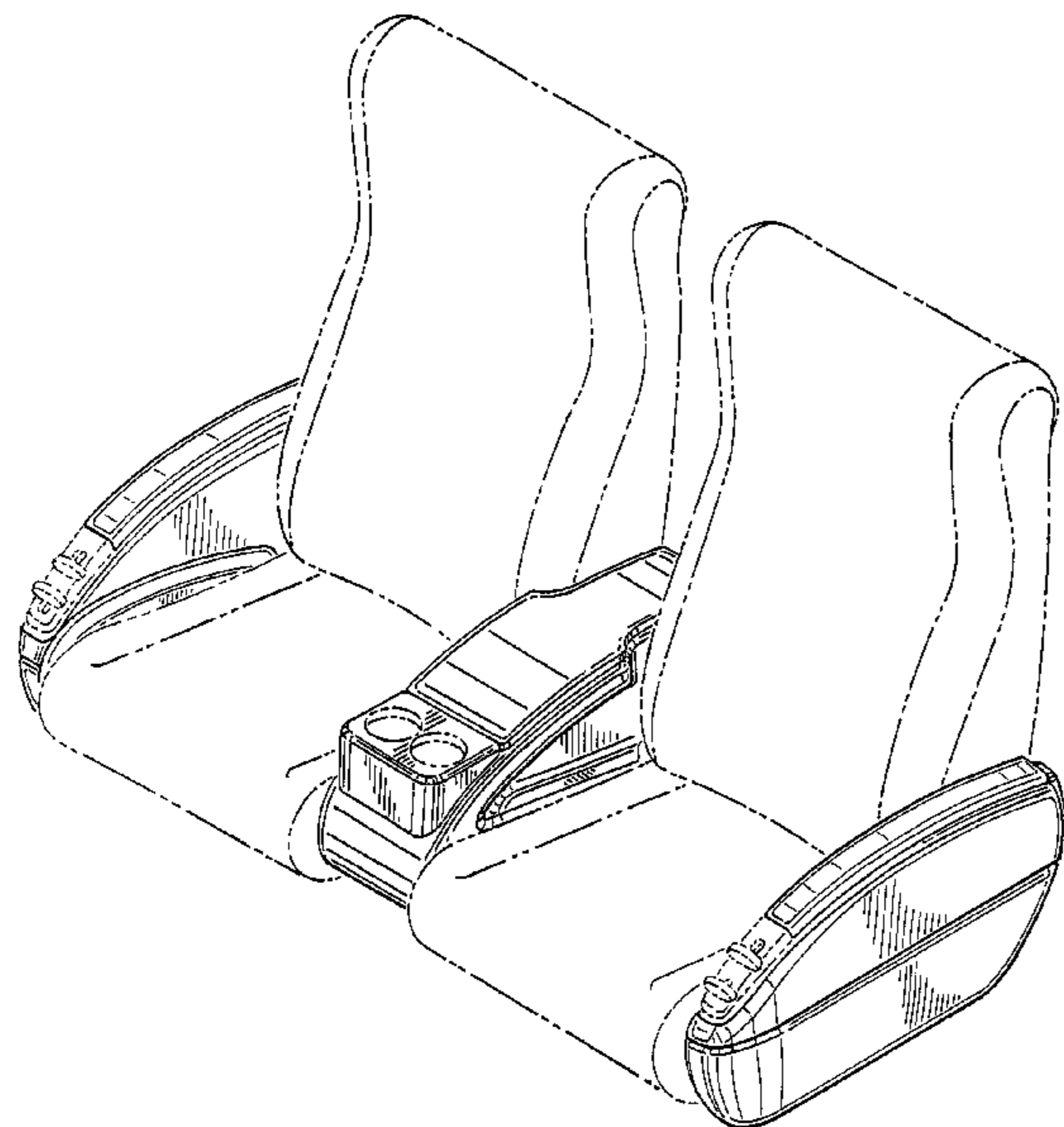


FIG. 1

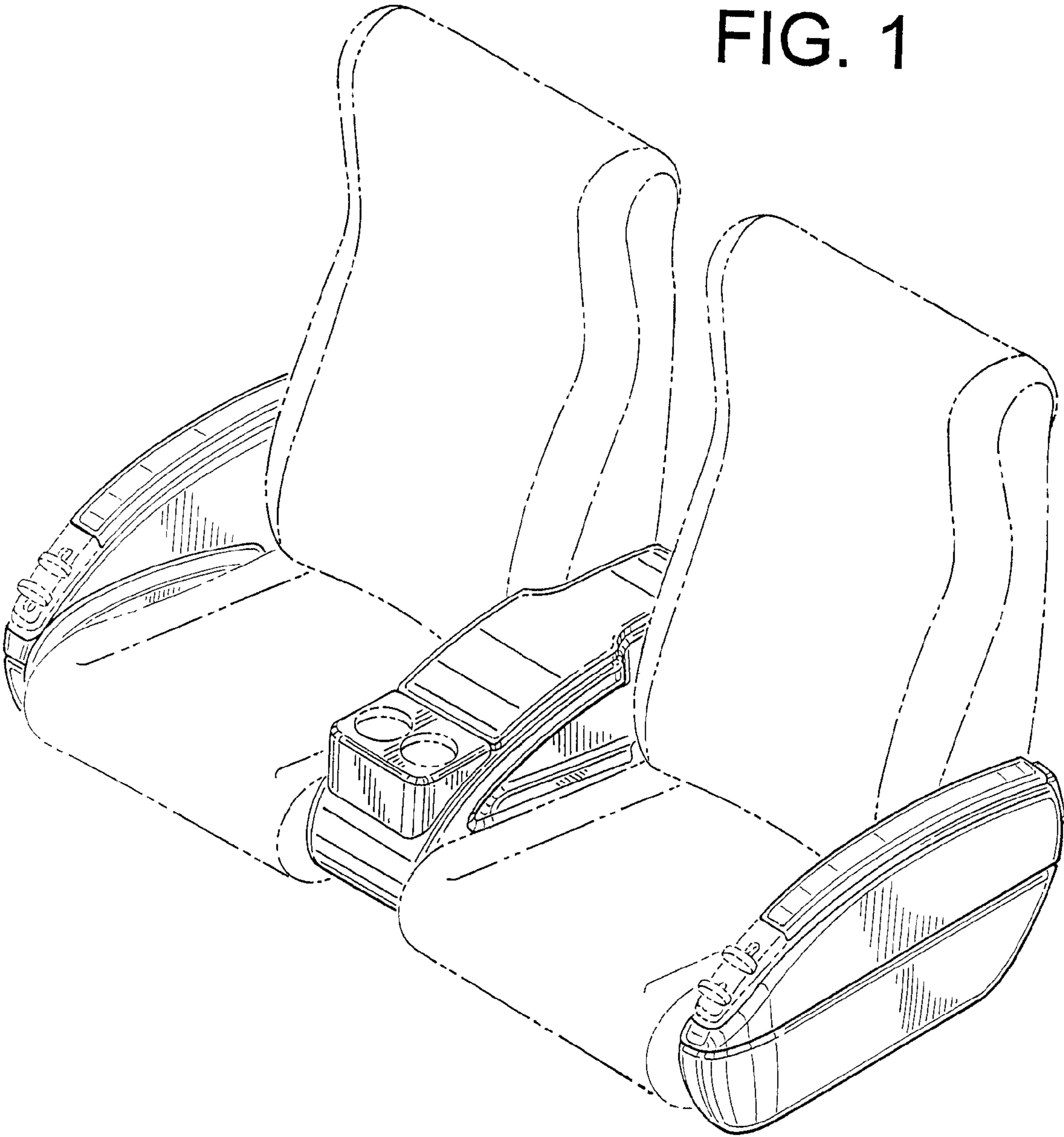


FIG. 2

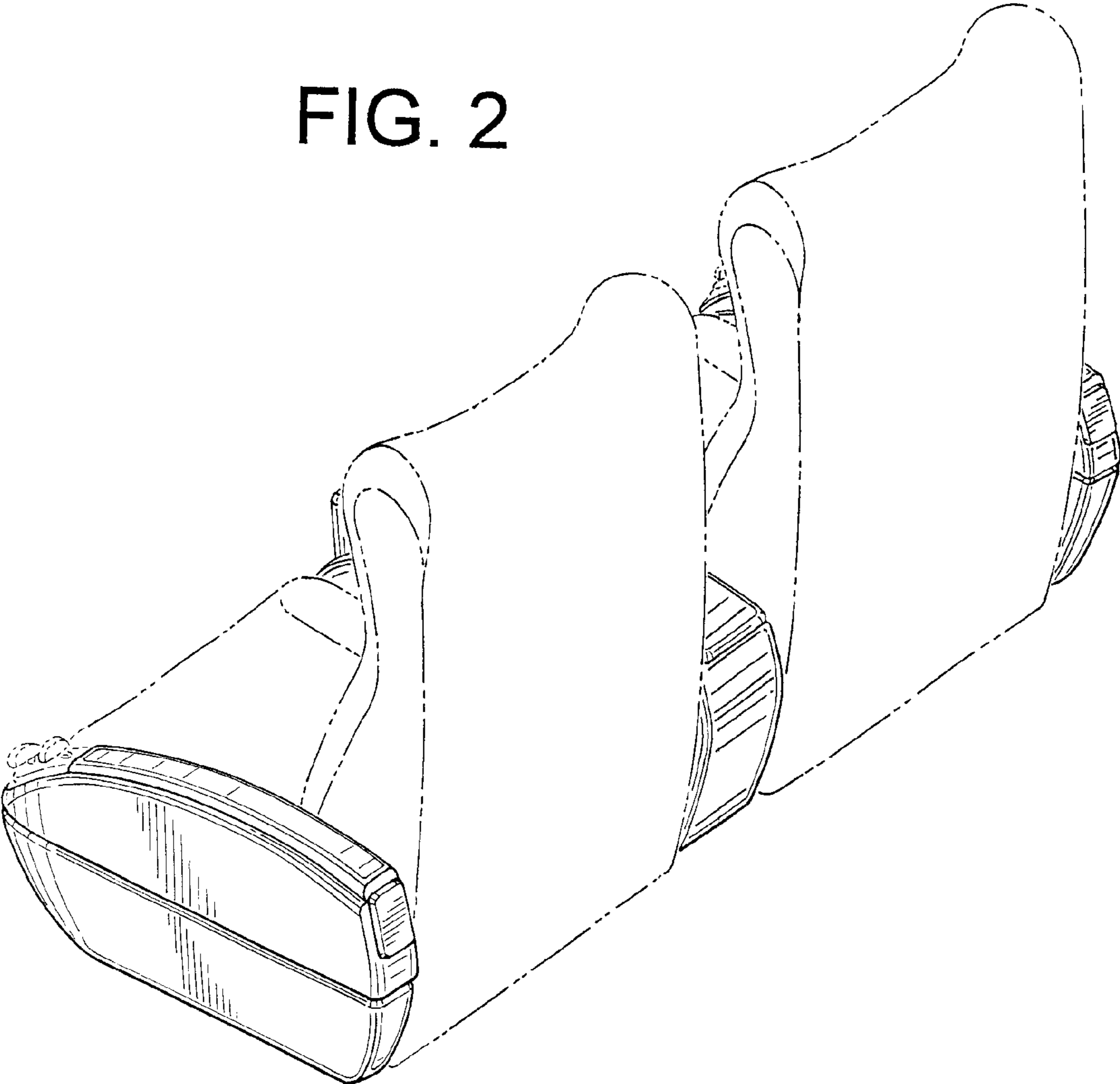


FIG. 3

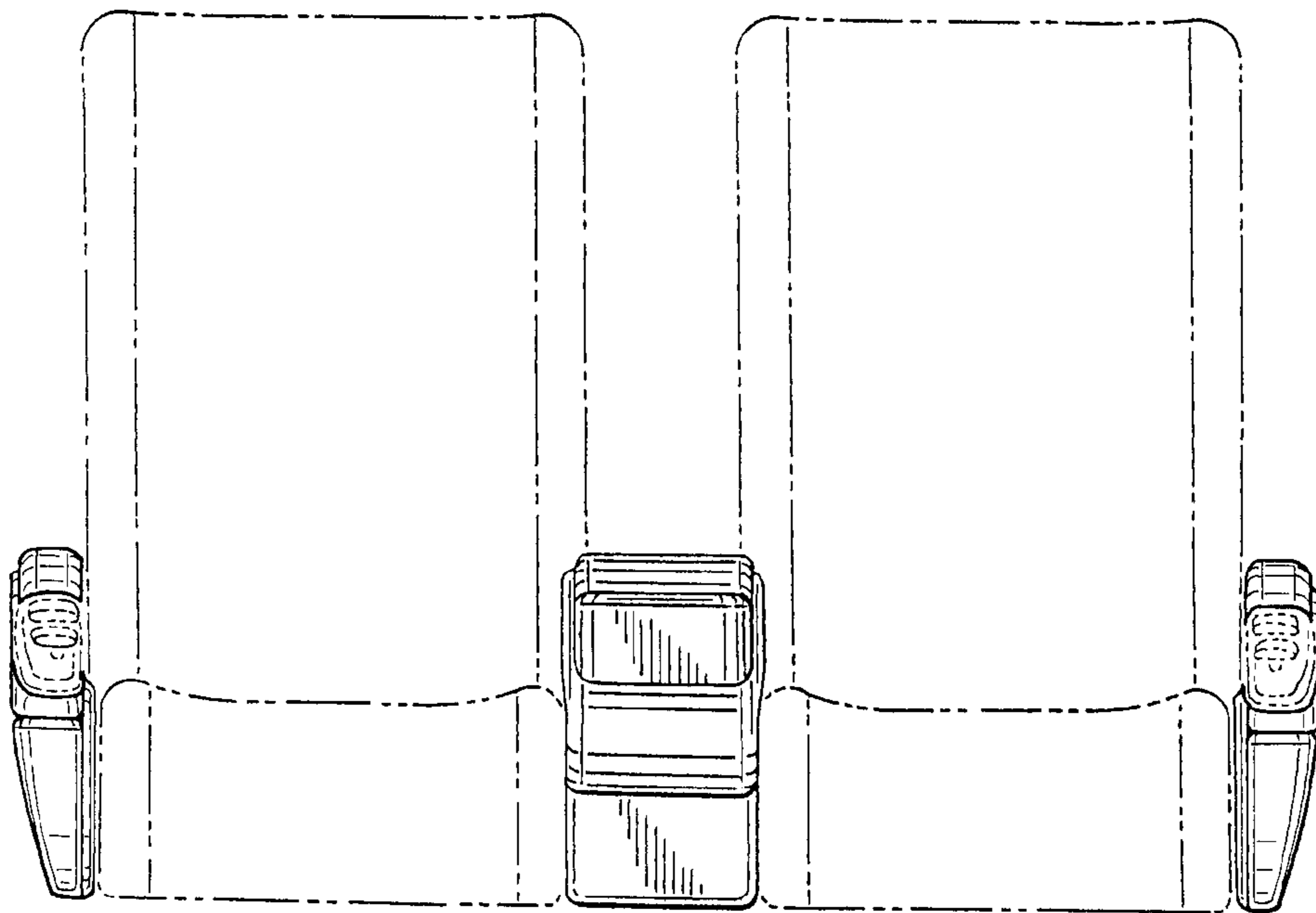


FIG. 4

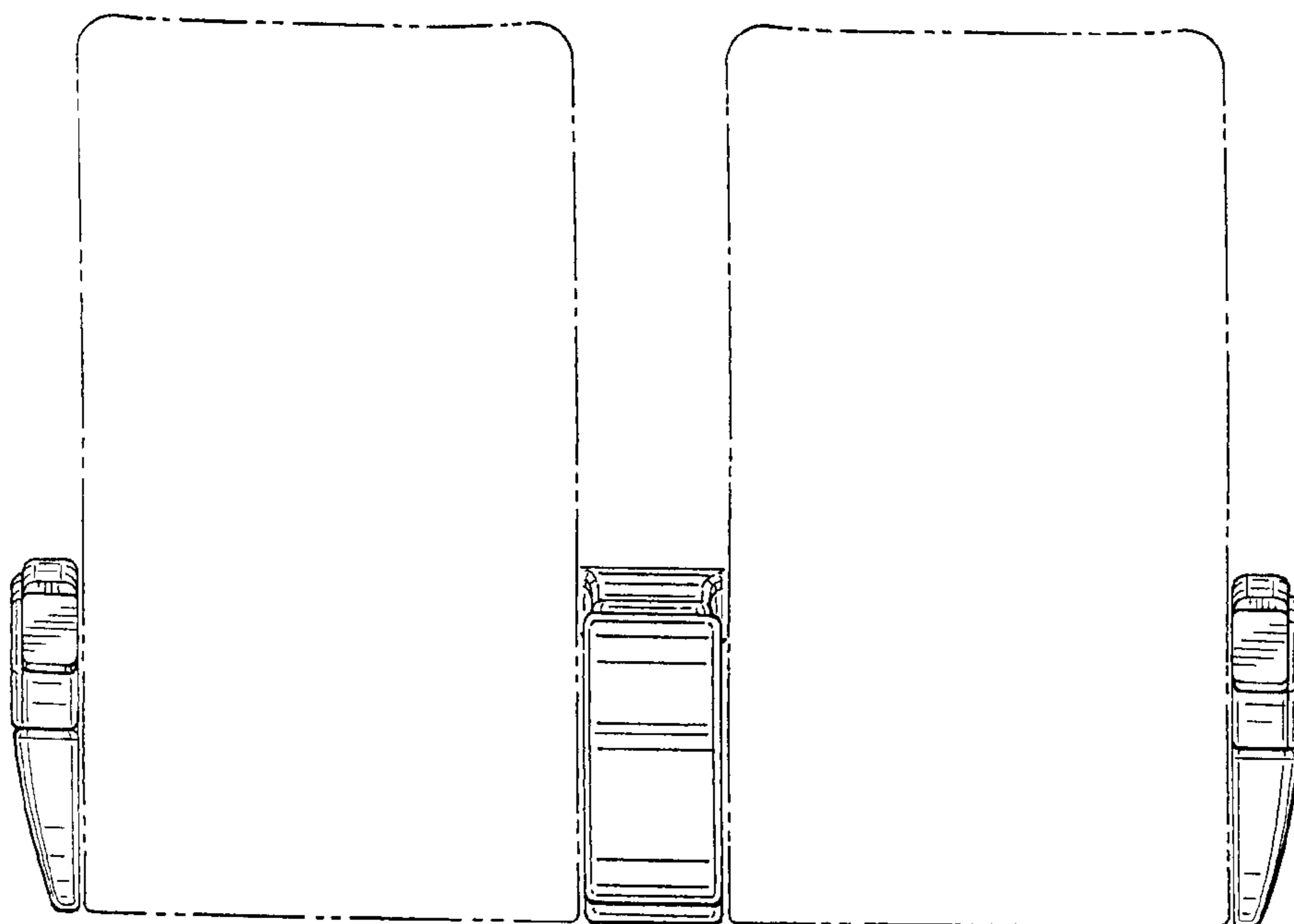


FIG. 5

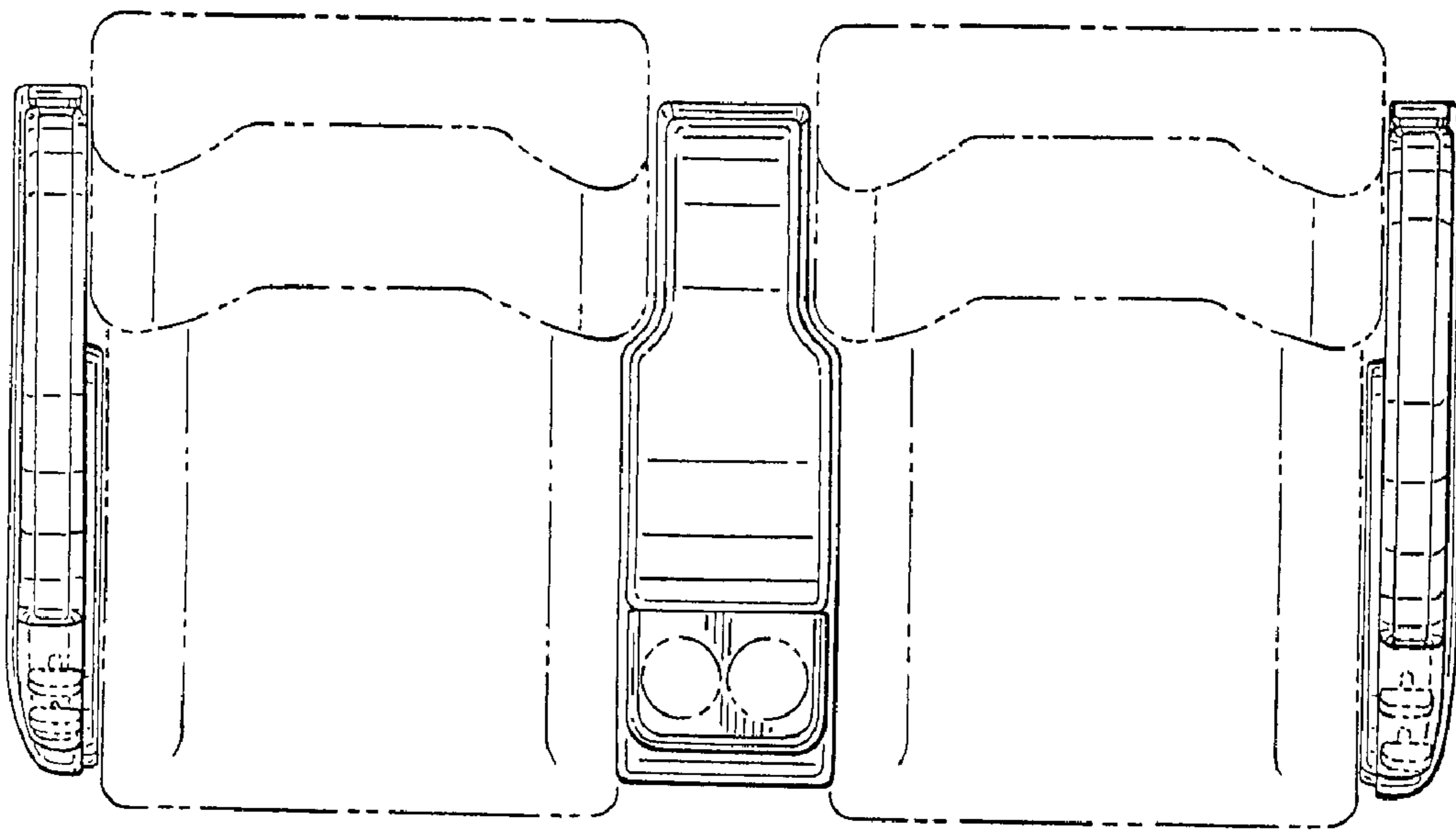


FIG. 6

