



US00D521279S

(12) **United States Design Patent**
Bouroullec et al.

(10) **Patent No.:** **US D521,279 S**
(45) **Date of Patent:** **** May 23, 2006**

(54) **DESK TOP SCREEN**

(75) Inventors: **Ronan Bouroullec**, Saint Denis (FR);
Erwan Bouroullec, Saint Denis (FR)

(73) Assignee: **Vitra Patente AG**, MuttENZ (CH)

(**) Term: **14 Years**

(21) Appl. No.: **29/222,464**

(22) Filed: **Jan. 31, 2005**

Related U.S. Application Data

(63) Continuation-in-part of application No. 29/177,150, filed on Mar. 4, 2003, now Pat. No. Des. 504,253.

(30) **Foreign Application Priority Data**

Sep. 4, 2002 (WO) 220 808 601
Oct. 22, 2002 (WO) DM/062 623

(51) **LOC (8) Cl.** **06-06**

(52) **U.S. Cl.** **D6/491**; D6/332; D6/492

(58) **Field of Classification Search** D6/332,
D6/491, 492, 494, 421, 423; 312/238, 239,
312/265.6; 52/36.1, 239, 242; 5/512, 513,
5/659; D19/34.1

See application file for complete search history.

(56) **References Cited**

U.S. PATENT DOCUMENTS

D137,684 S 4/1944 Kramer
D176,879 S 2/1956 Petzold
3,054,651 A * 9/1962 King et al. 312/239
3,463,099 A 8/1969 Doucette
D279,151 S * 6/1985 Weiller D6/491
D285,152 S * 8/1986 Smith D6/449

D303,458 S * 9/1989 Zapf D6/332
5,186,425 A 2/1993 Keusch et al.
D403,898 S 1/1999 Arnegger
6,061,972 A * 5/2000 Thorp 52/36.1
6,180,884 B1 1/2001 Tokunaga et al.
6,272,795 B1 8/2001 Brauning
D458,046 S 6/2002 Citterio
6,523,795 B1 2/2003 Gutgsell et al.
D504,253 S 4/2005 Bouroullec et al.

FOREIGN PATENT DOCUMENTS

DE 197 33 435 2/1999
DE 299 22 976 3/2000
EP 0 594 939 4/1996
WO WO 2004/021830 3/2004

* cited by examiner

Primary Examiner—Janice E. Seeger

(74) *Attorney, Agent, or Firm*—McCarter & English, LLP

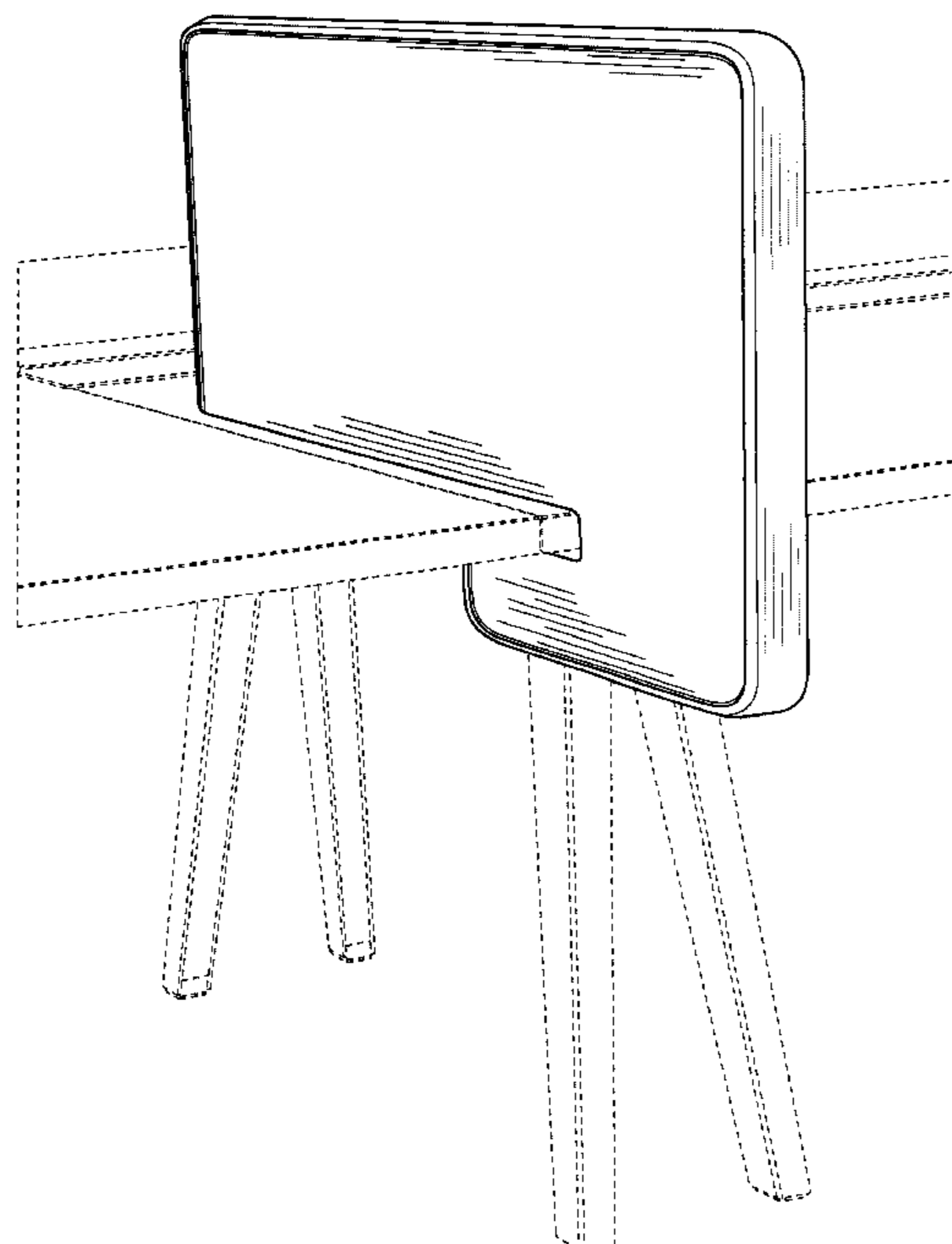
(57) **CLAIM**

The ornamental design for a desk top screen, as shown and described.

DESCRIPTION

FIG. 1 is a front perspective view of a desk top screen, showing our new design;
FIG. 2 is a front elevational view thereof;
FIG. 3 is a left side elevational view thereof, the right side being a mirror image thereof;
FIG. 4 is a rear side elevational view thereof;
FIG. 5 is a top plan view thereof; and,
FIG. 6 is a bottom plan view thereof.
The broken lines shown are for illustrative purposes only and form no part of the claimed design.

1 Claim, 6 Drawing Sheets



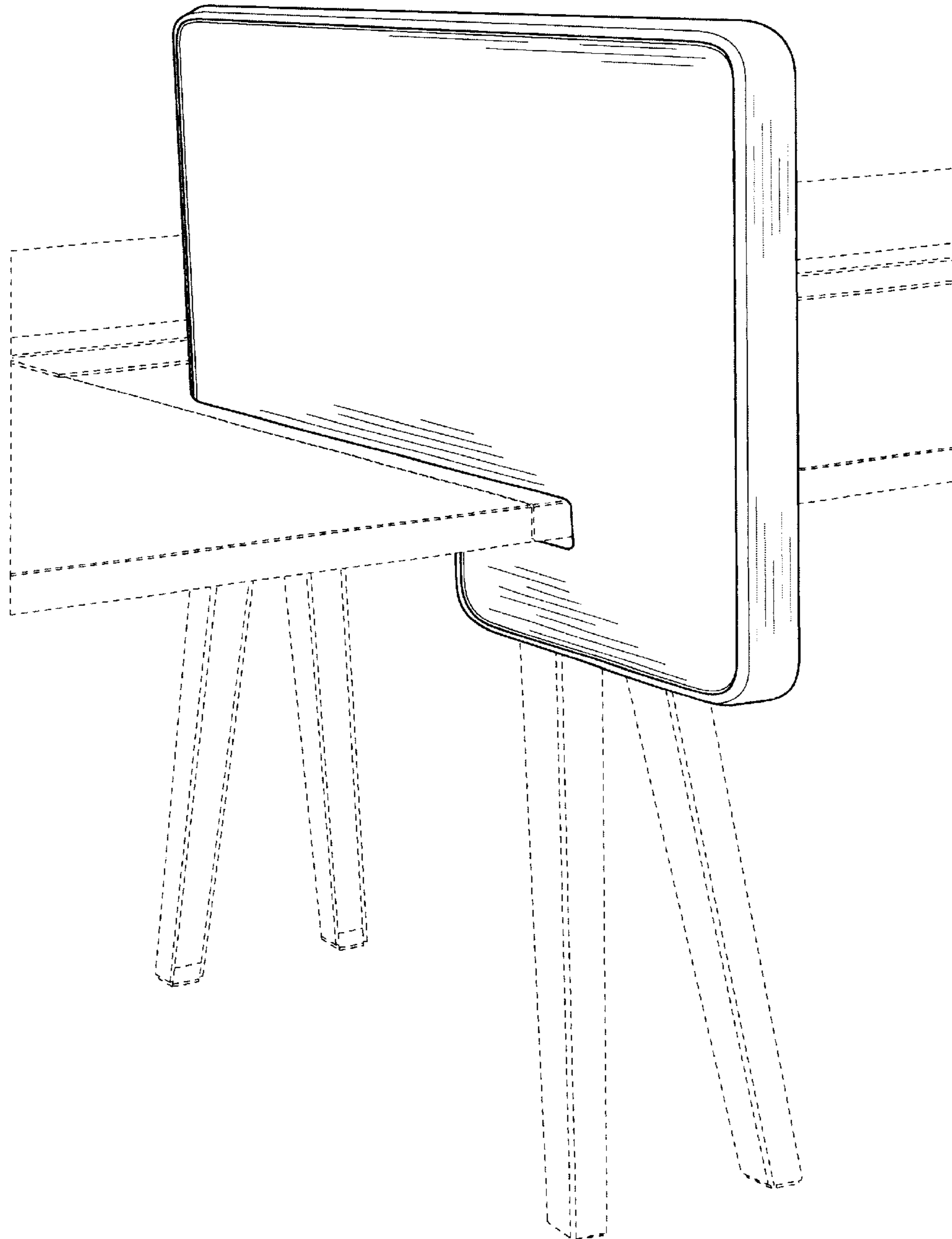


FIG. 1

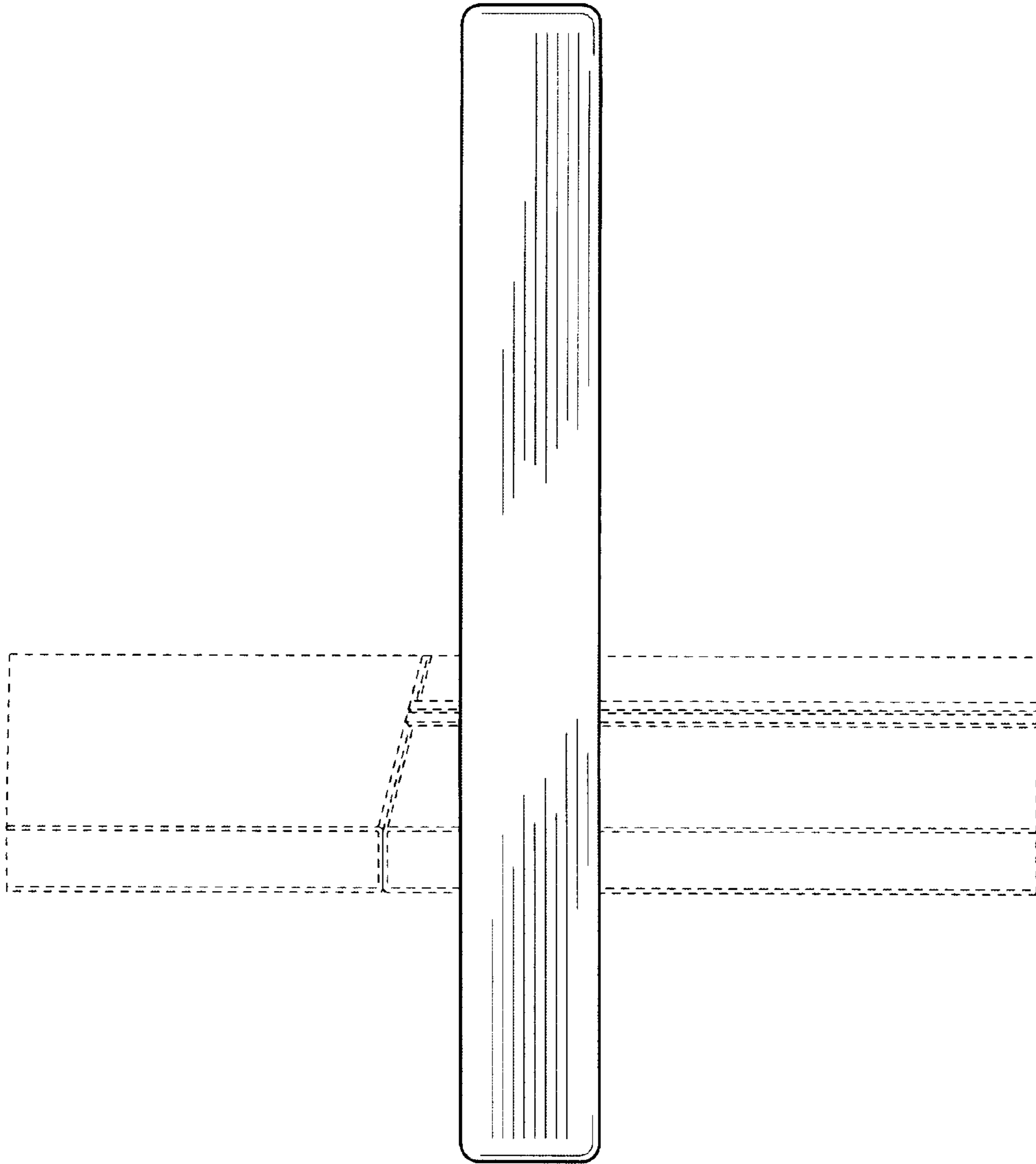


FIG. 2

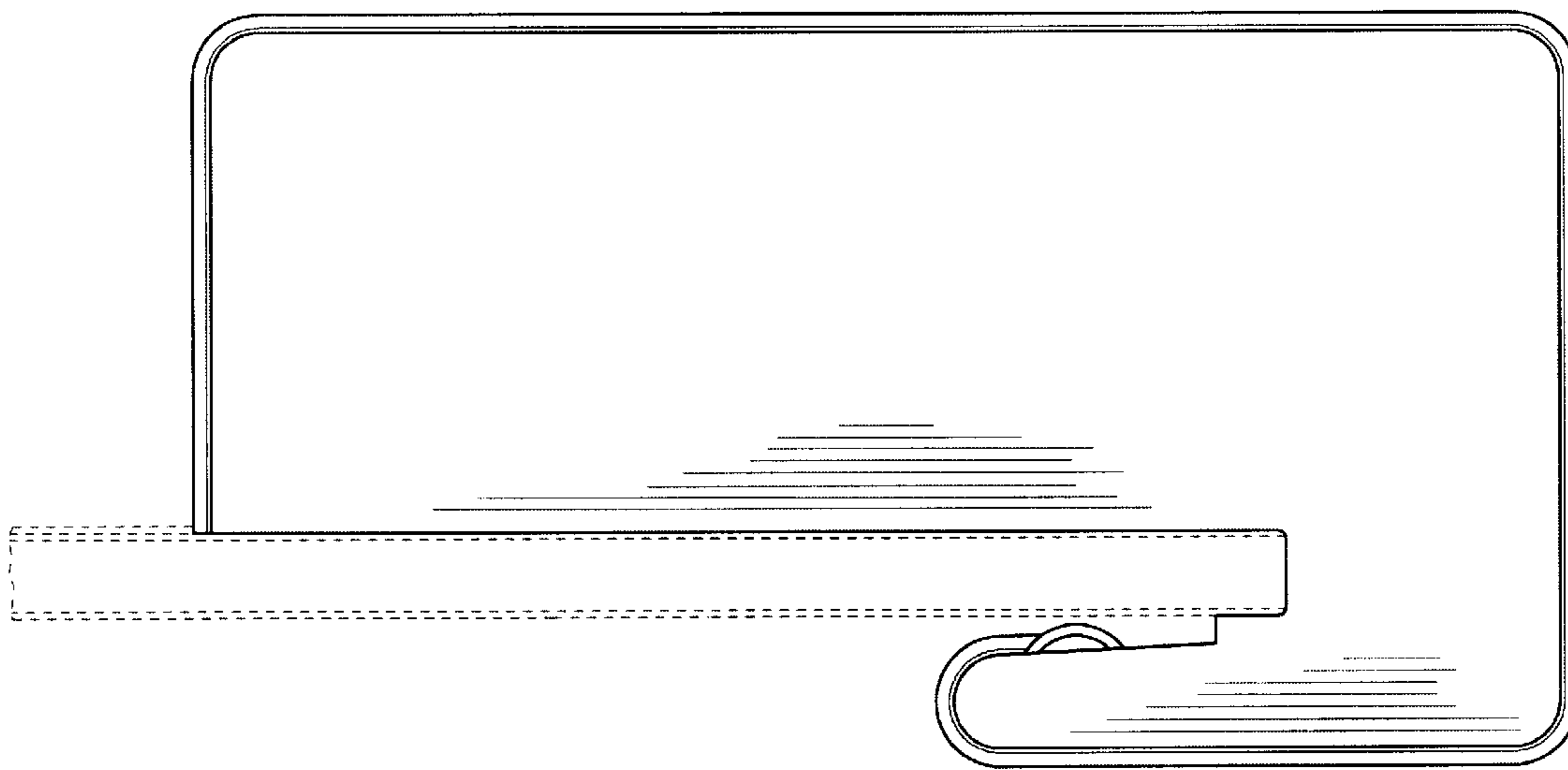


FIG. 3

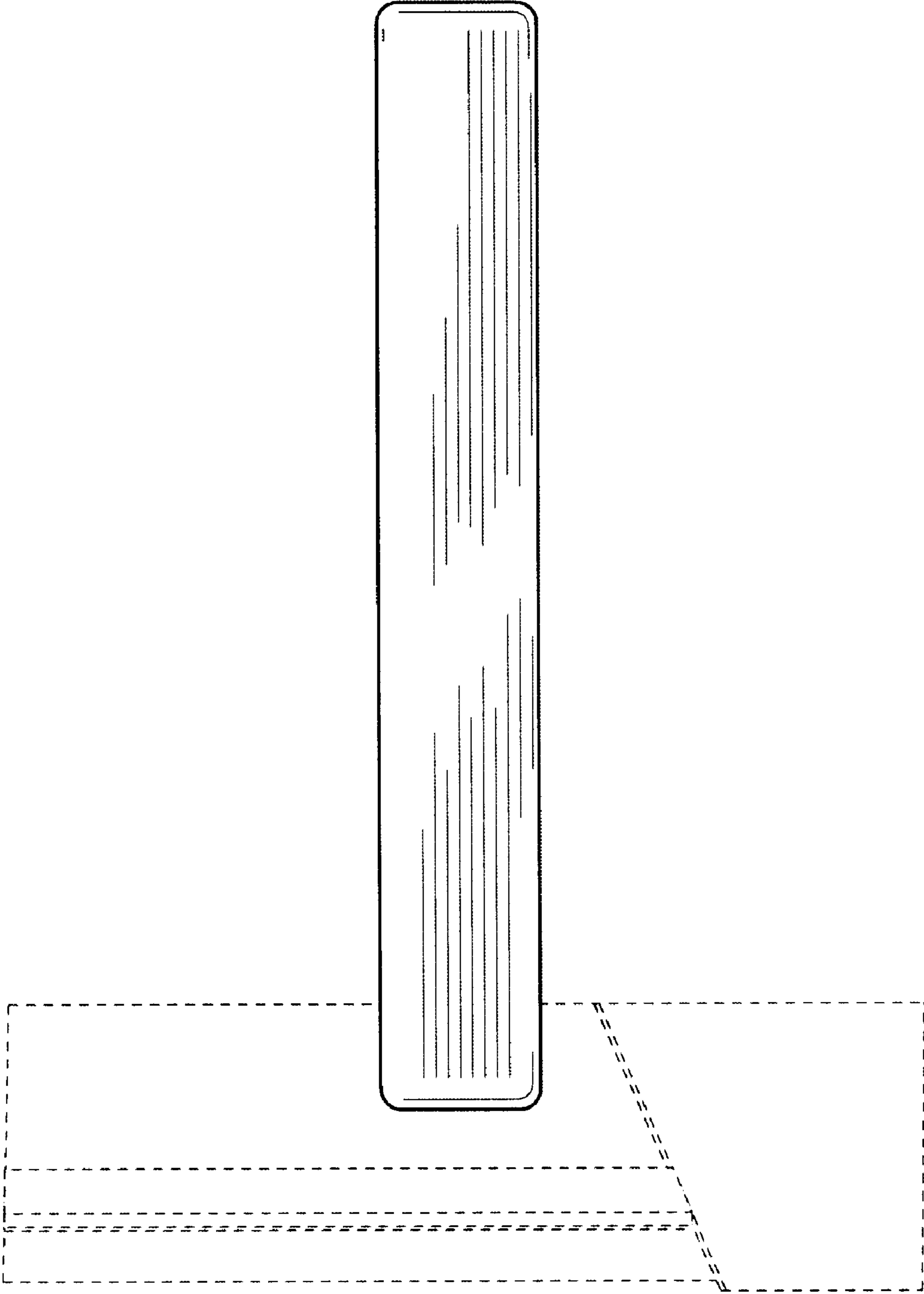


FIG. 4

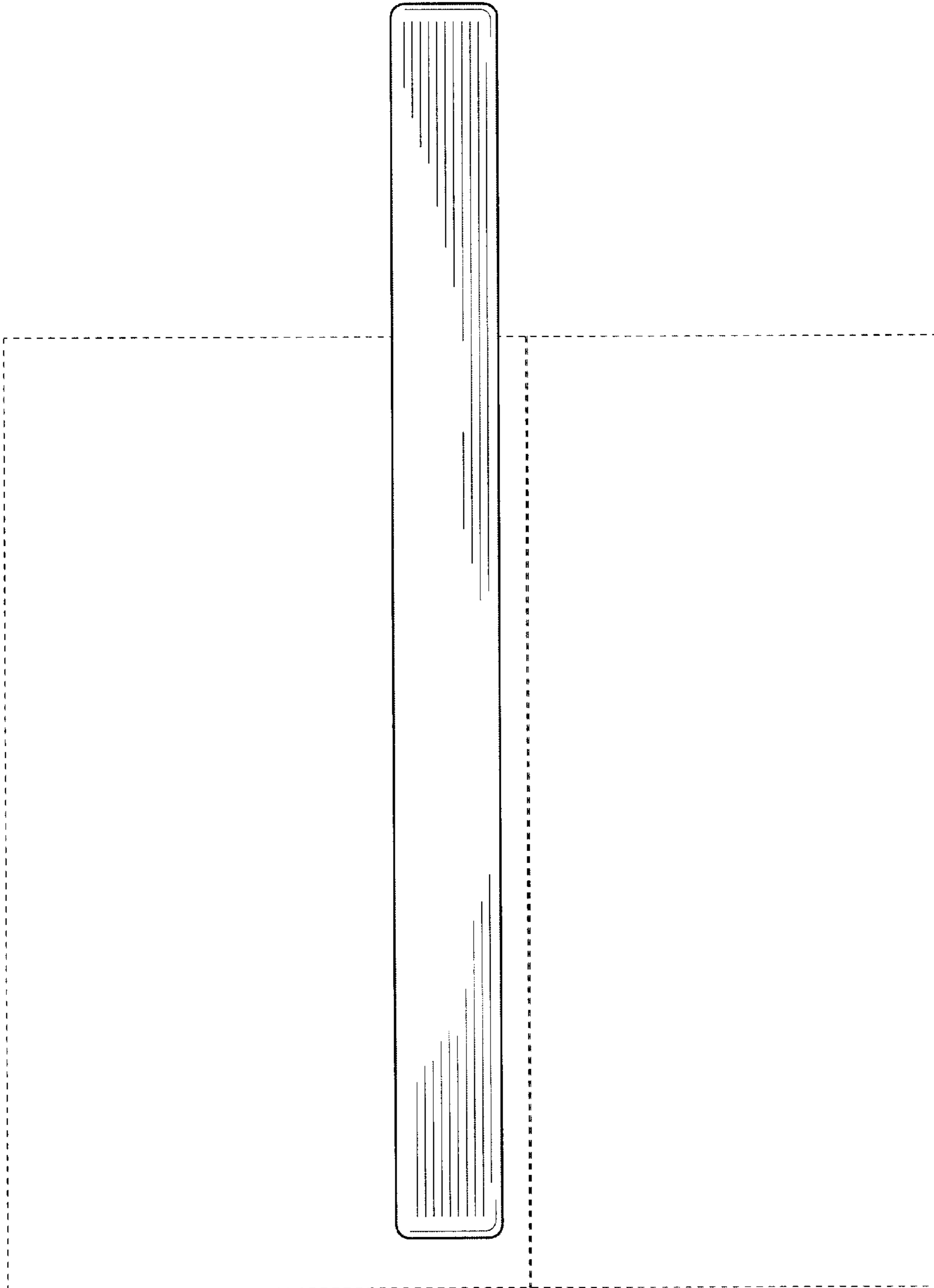


FIG. 5

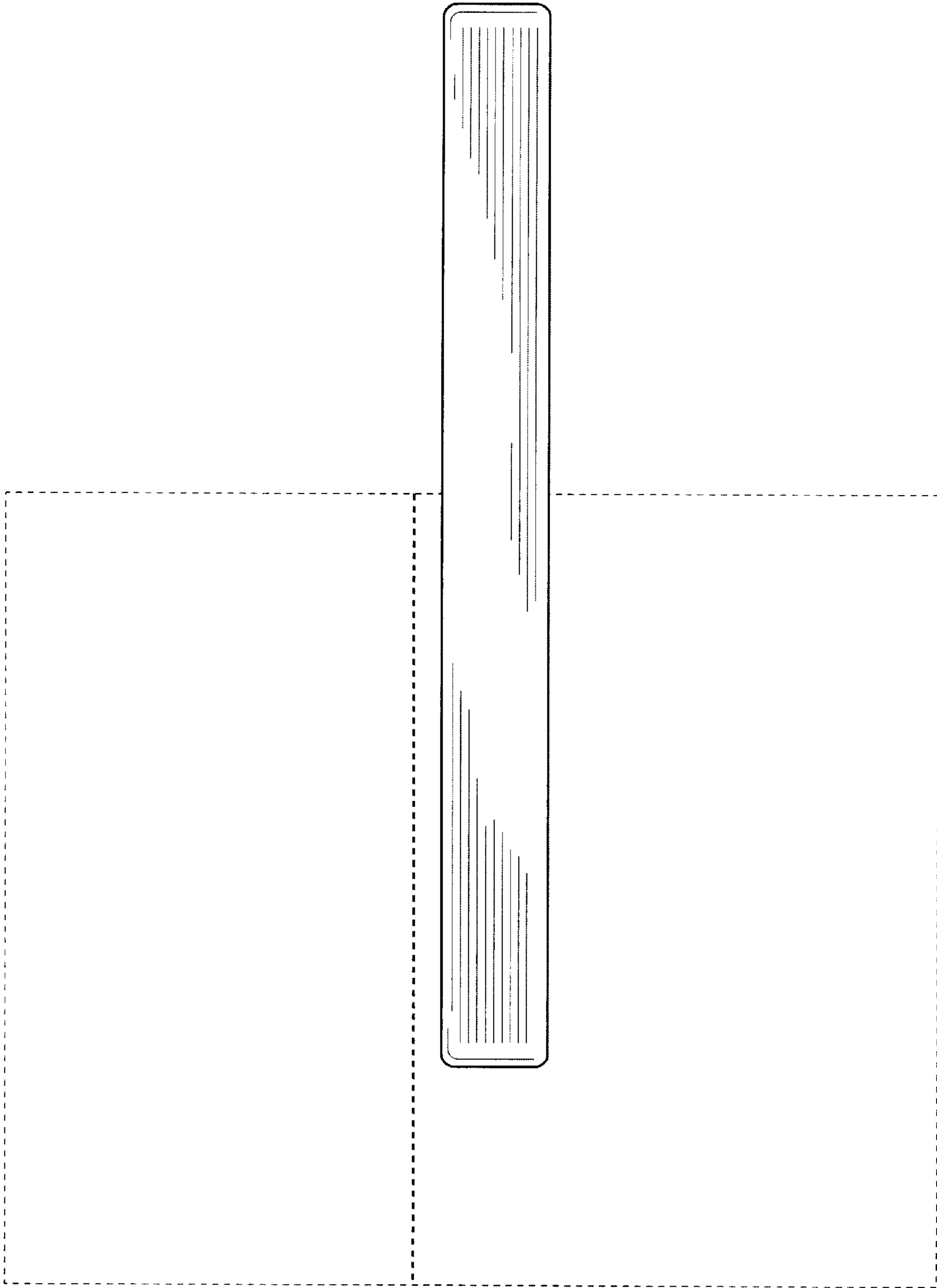


FIG. 6