



US00D521277S

(12) **United States Design Patent**  
**Quintal**

(10) **Patent No.:** **US D521,277 S**

(45) **Date of Patent:** **\*\* May 23, 2006**

(54) **COUNTER**

(75) **Inventor:** **Alain Quintal**, 5715 Metropolitan  
Boulevard East, St-Léonard, Québec  
(CA), H1P 1X3

(73) **Assignee:** **Alain Quintal**, Quebec (CA)

(\*\*) **Term:** **14 Years**

(21) **Appl. No.:** **29/208,021**

(22) **Filed:** **Jun. 24, 2004**

(30) **Foreign Application Priority Data**

Apr. 21, 2004 (CA) ..... 106632

(51) **LOC (8) Cl.** ..... **06-03**

(52) **U.S. Cl.** ..... **D6/481; D6/396; D6/426**

(58) **Field of Classification Search** ..... D6/481,  
D6/396, 397, 426, 402, 441; 312/140.1, 140.2,  
312/194-196, 208.1

See application file for complete search history.

(56) **References Cited**

**U.S. PATENT DOCUMENTS**

D118,455 S	*	1/1940	Shelton	.....	D6/473
D334,856 S	*	4/1993	Sielaff	.....	D6/474
D405,616 S	*	2/1999	Hellwig et al.	.....	D6/332
D435,368 S	*	12/2000	Tzeng	.....	D6/480
D488,935 S	*	4/2004	Quintal	.....	D6/426
D490,625 S	*	6/2004	Trazzi	.....	D6/396

\* cited by examiner

*Primary Examiner*—Janice E. Seeger

(74) *Attorney, Agent, or Firm*—Brouillette & Partner;  
Robert Brouillette

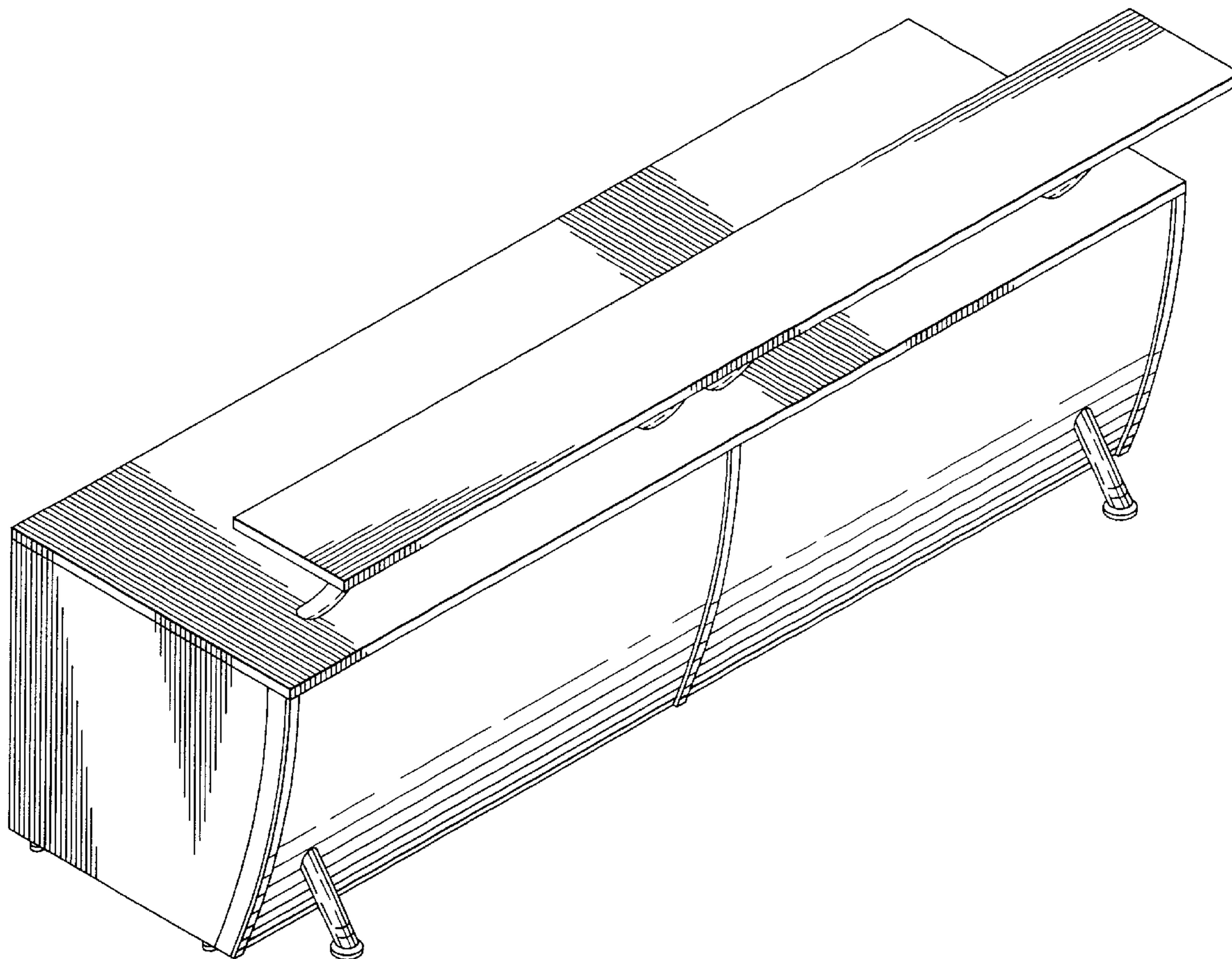
(57) **CLAIM**

The ornamental design for a counter, as shown.

**DESCRIPTION**

FIG. 1 is an isometric view of the counter;  
FIG. 2 is a side elevational view of the counter; and,  
FIG. 3 is a rear view of the counter.

**1 Claim, 2 Drawing Sheets**



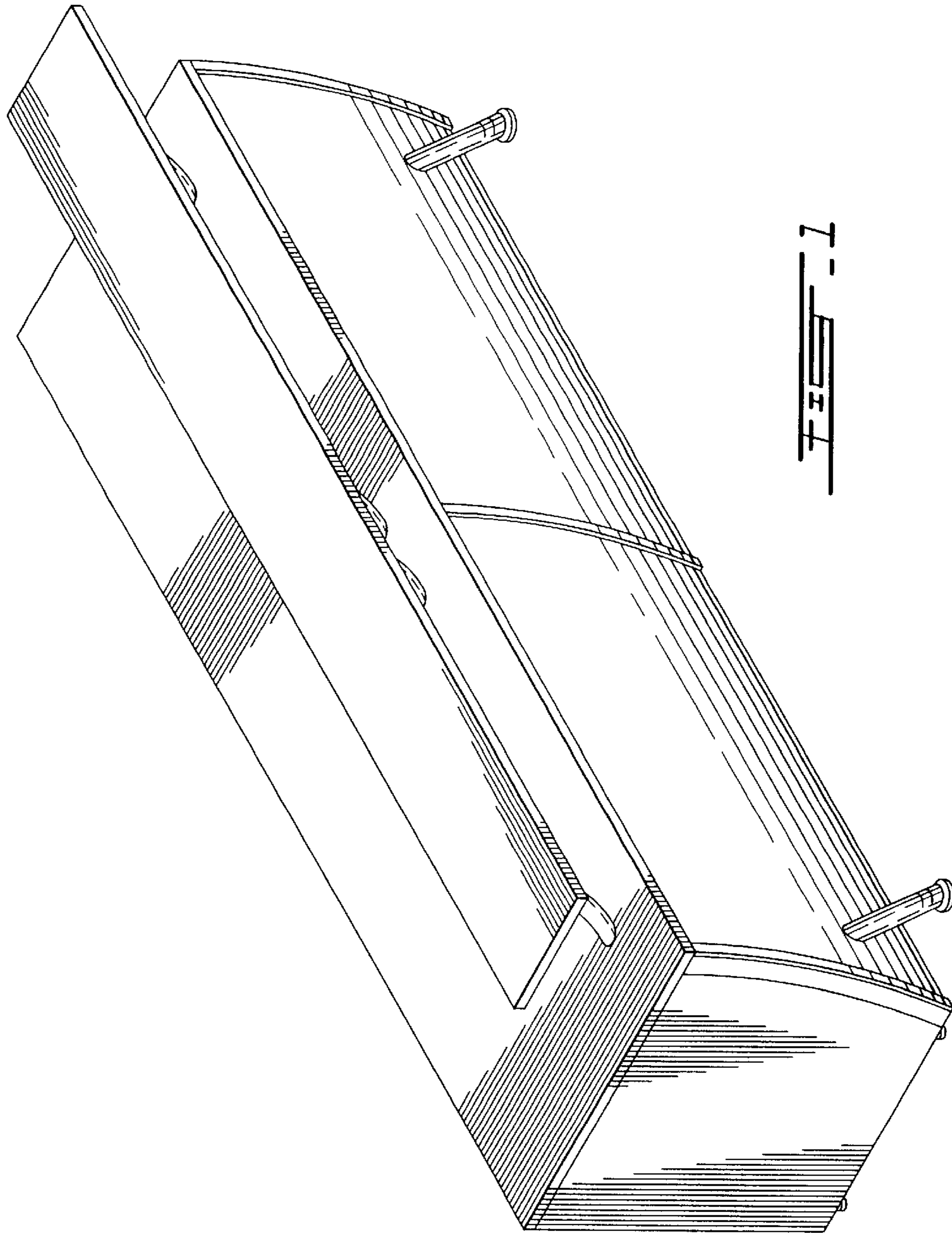


FIG. 1

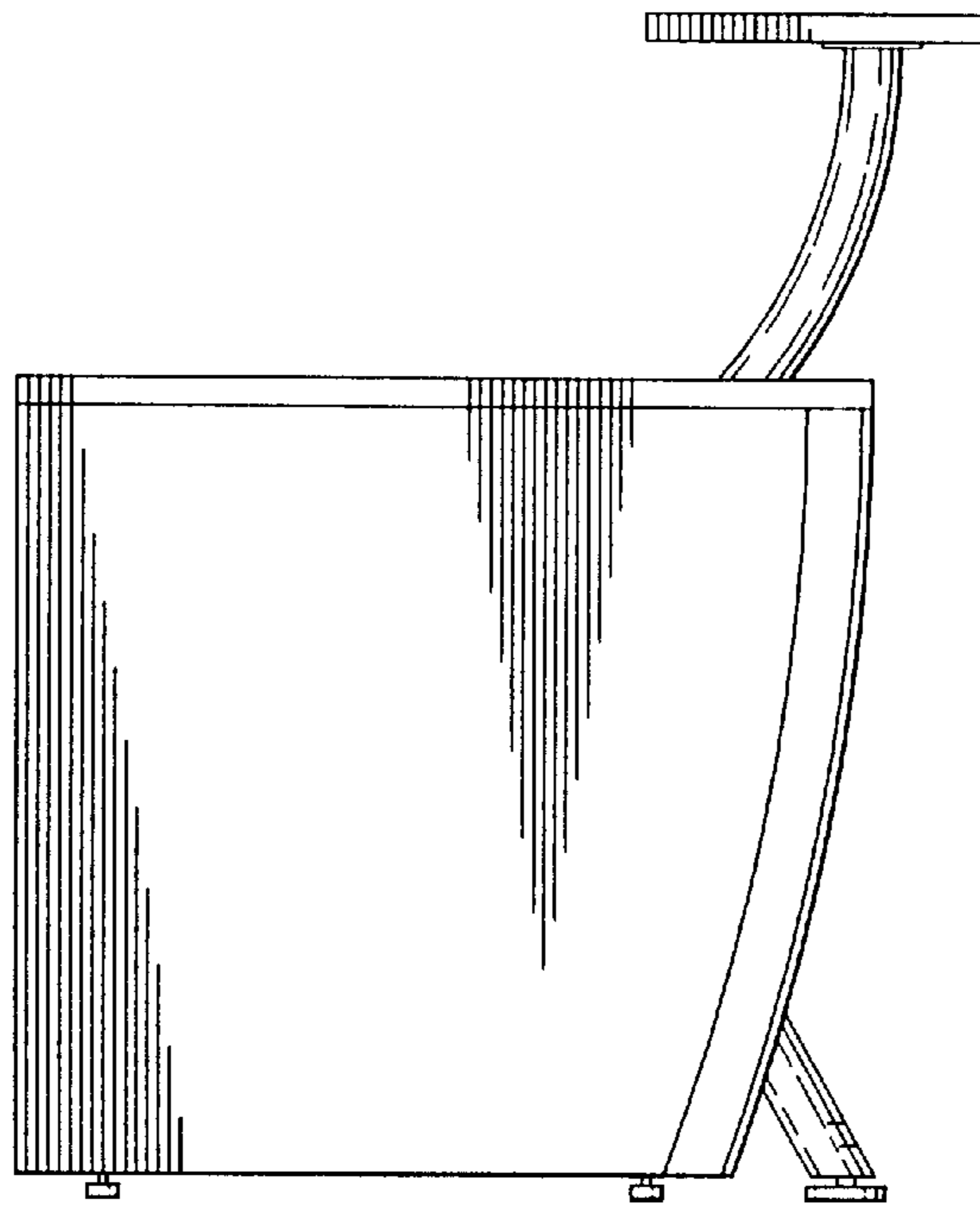


FIG. 2

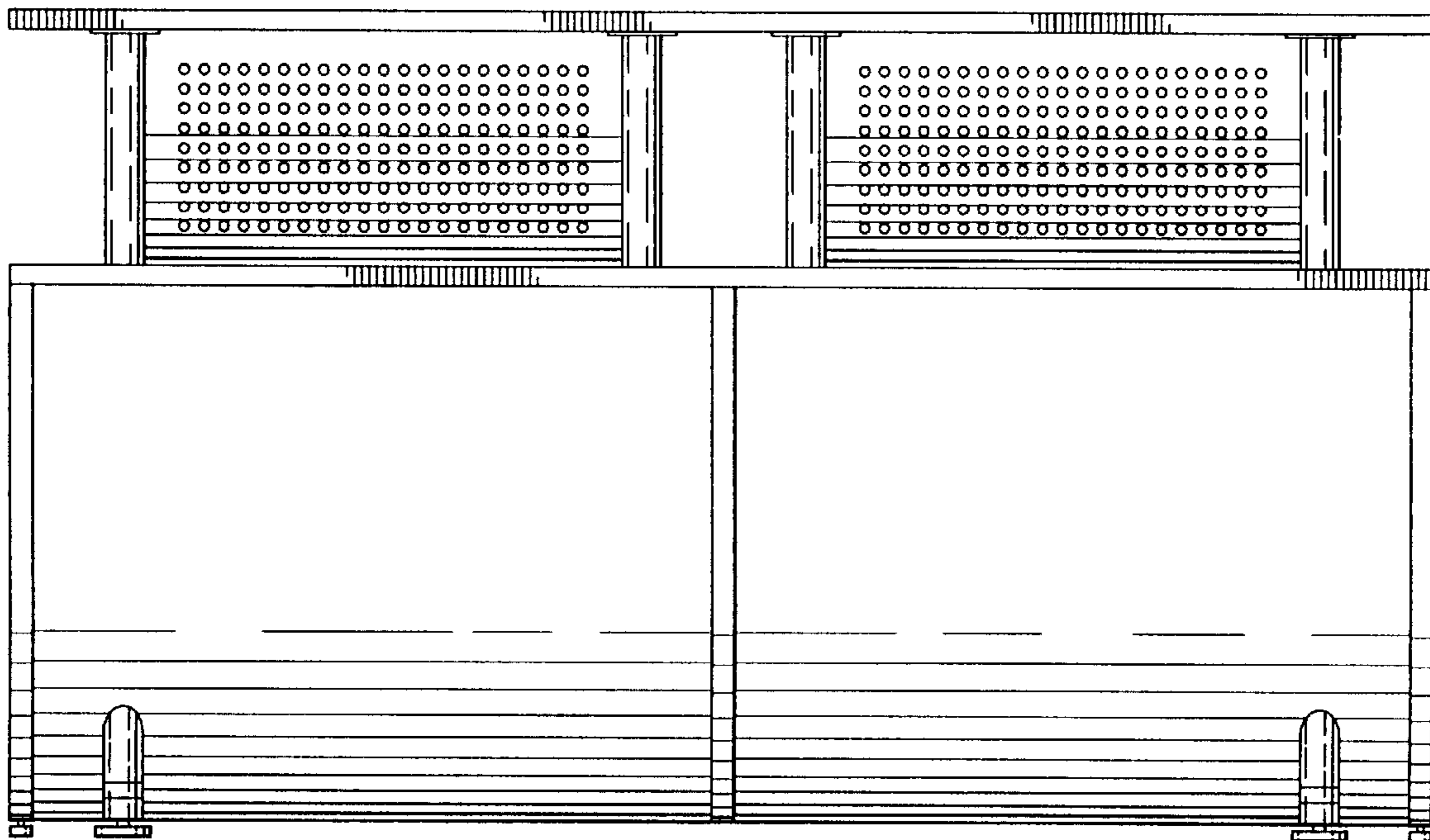


FIG. 3