



US00D521276S

(12) **United States Design Patent**  
**Lenger**

(10) **Patent No.: US D521,276 S**

(45) **Date of Patent: \*\* \*May 23, 2006**

(54) **FURNITURE COMPONENT**

(75) Inventor: **Sidney A. Lenger**, Kernersville, NC  
(US)

(73) Assignee: **American Signature, Inc.**, Columbus,  
OH (US)

(\*) Notice: This patent is subject to a terminal dis-  
claimer.

(\*\*) Term: **14 Years**

(21) Appl. No.: **29/222,287**

(22) Filed: **Jan. 27, 2005**

**Related U.S. Application Data**

(62) Division of application No. 29/196,268, filed on Dec. 22,  
2003, now Pat. No. Des. 503,569, which is a continuation of  
application No. 29/190,664, filed on Sep. 24, 2003, now Pat.  
No. Des. 492,861, which is a continuation of application No.  
29/186,183, filed on Jul. 11, 2003, now Pat. No. Des.  
491,384.

(51) **LOC (8) Cl.** ..... **06-04**

(52) **U.S. Cl.** ..... **D6/474**

(58) **Field of Classification Search** ..... D6/405,  
D6/474, 477-479, 495, 509; 108/59, 60,  
108/91, 92, 147.11, 149; 211/42, 149, 153,  
211/195, 186, 188, 194, 90.04; 312/9.1, 7.2,  
312/223.1; D25/64, 68; D34/30

See application file for complete search history.

(56) **References Cited**

**U.S. PATENT DOCUMENTS**

D109,291 S \* 4/1938 Beyrle ..... D6/473

D262,076 S \* 12/1981 Pracon ..... D6/407  
D302,083 S \* 7/1989 Walter ..... D6/413  
D364,763 S \* 12/1995 Sielaff ..... D6/479  
D433,846 S \* 11/2000 Chang ..... D6/474  
D459,117 S \* 6/2002 Singh ..... D6/474

**OTHER PUBLICATIONS**

Vitrashop Catalog, Leaning Shelves, Innovations '87 Box,  
Dec. 1987.\*

Crate and Barrel Catalog, Leaning Bookcase, p. 36, Fall  
2002.\*

Spiegel Catalog, Picket Fence Shelf, p. 390, Spr. Sum.  
2000.\*

\* cited by examiner

*Primary Examiner*—Cathron C. Brooks

(74) *Attorney, Agent, or Firm*—Wood, Herron & Evans,  
LLP

(57) **CLAIM**

The ornamental design for the furniture component, as  
shown and described.

**DESCRIPTION**

FIG. 1 is a perspective view of a furniture component  
incorporating my new design;

FIG. 2 is a front elevational view thereof;

FIG. 3 is a right-side elevational view thereof;

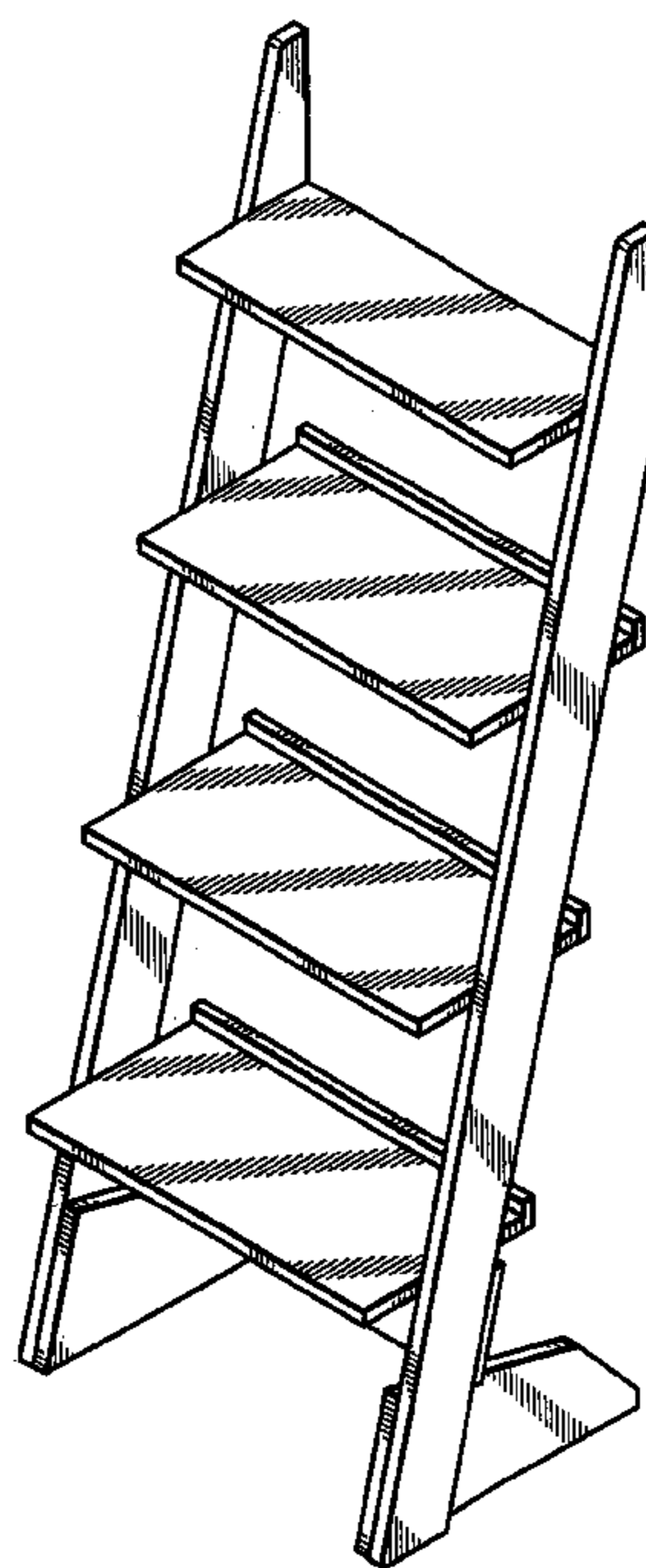
FIG. 4 is a rear elevational view thereof;

FIG. 5 is a left-side elevational view thereof;

FIG. 6 is a top plan view thereof; and,

FIG. 7 is a bottom plan view thereof.

**1 Claim, 2 Drawing Sheets**



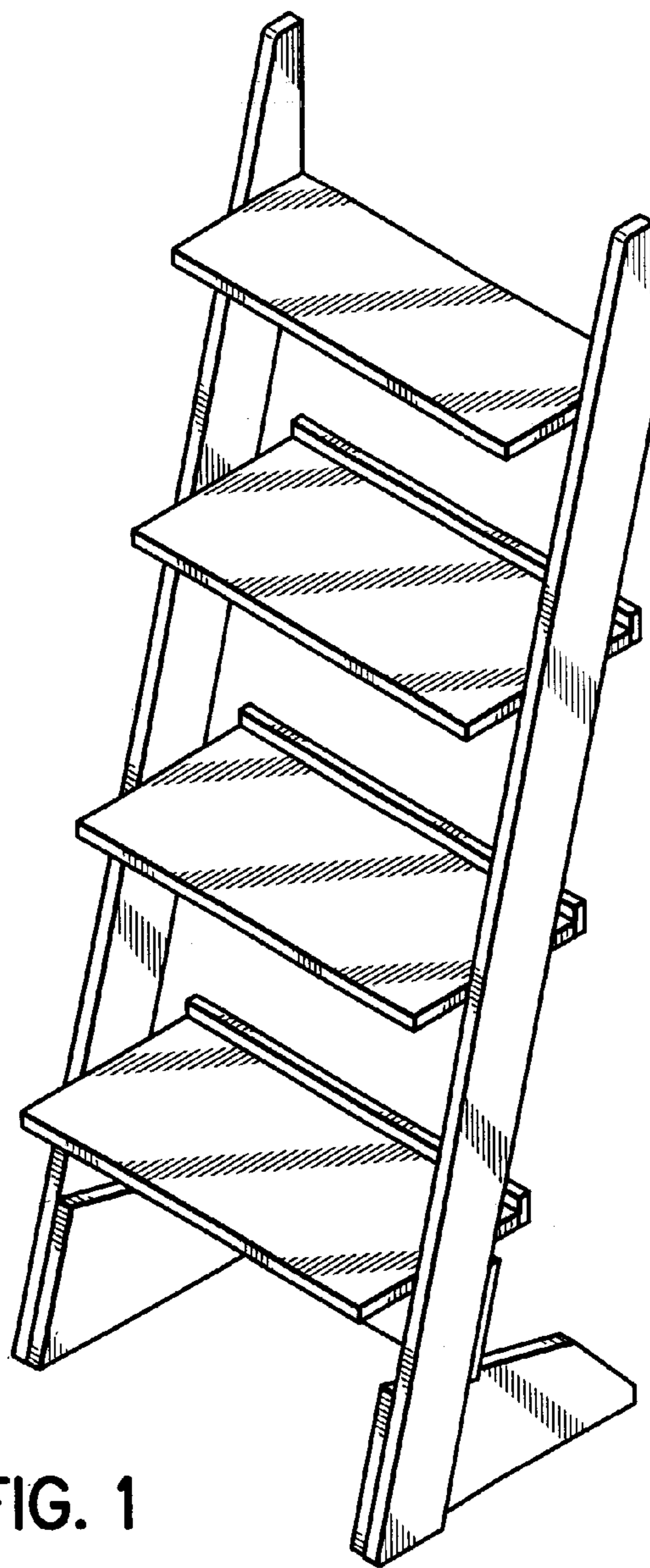


FIG. 1

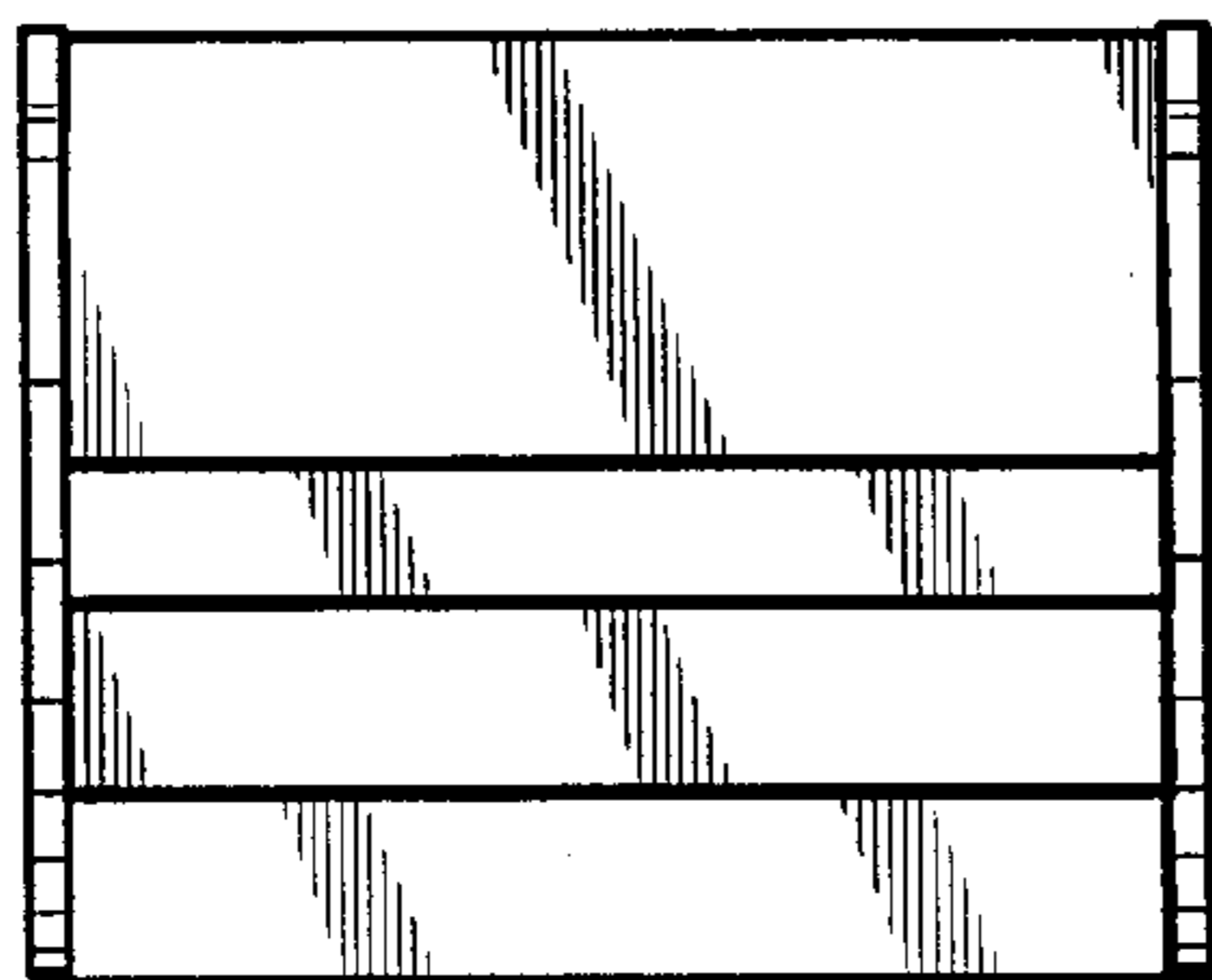


FIG. 6

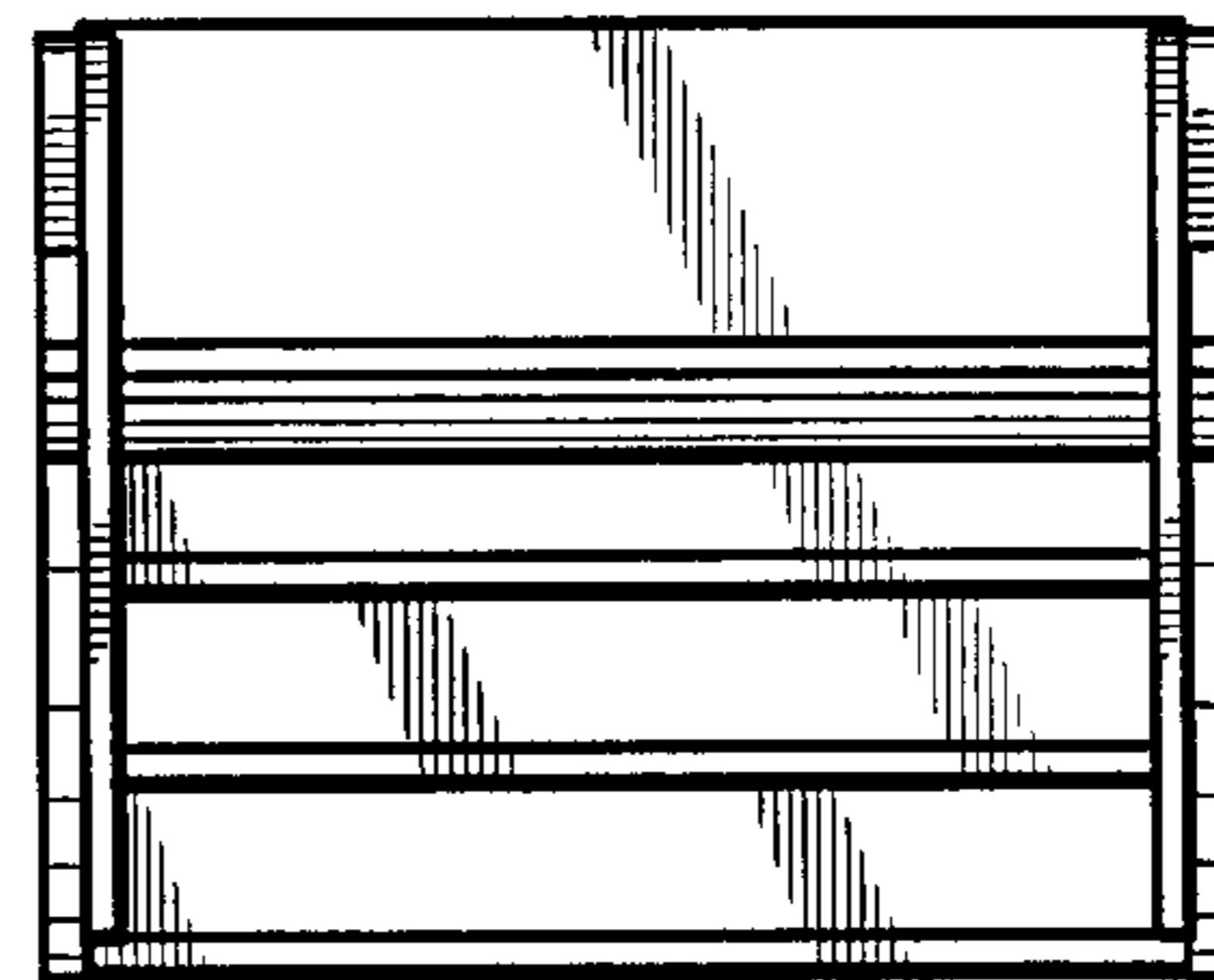


FIG. 7

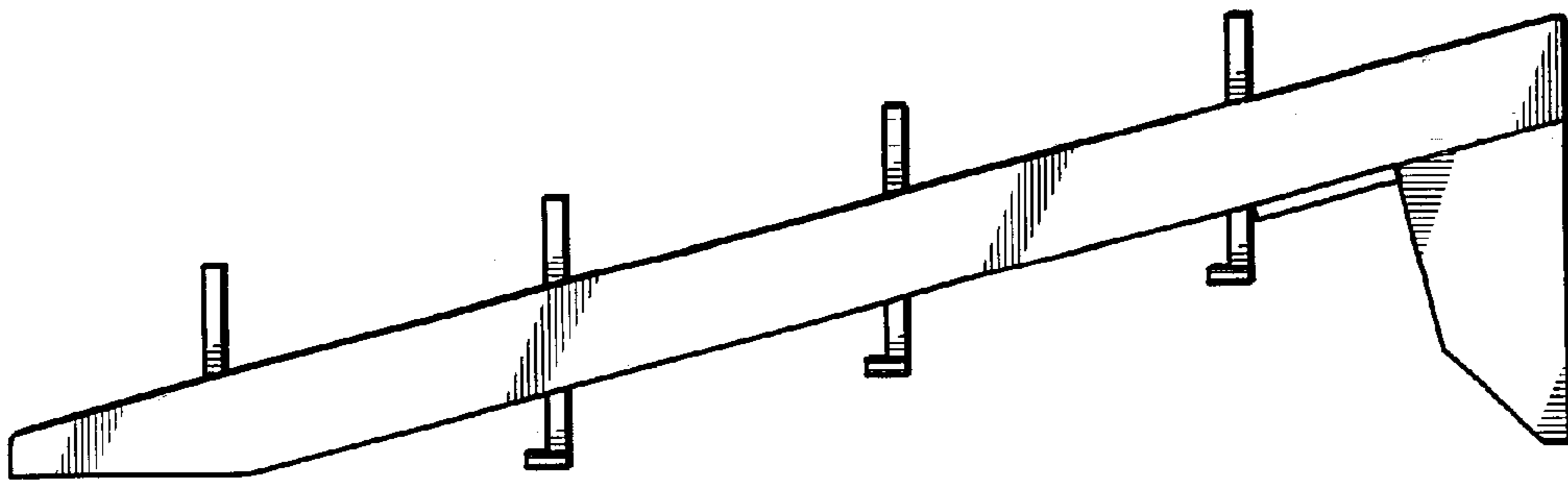


FIG. 5

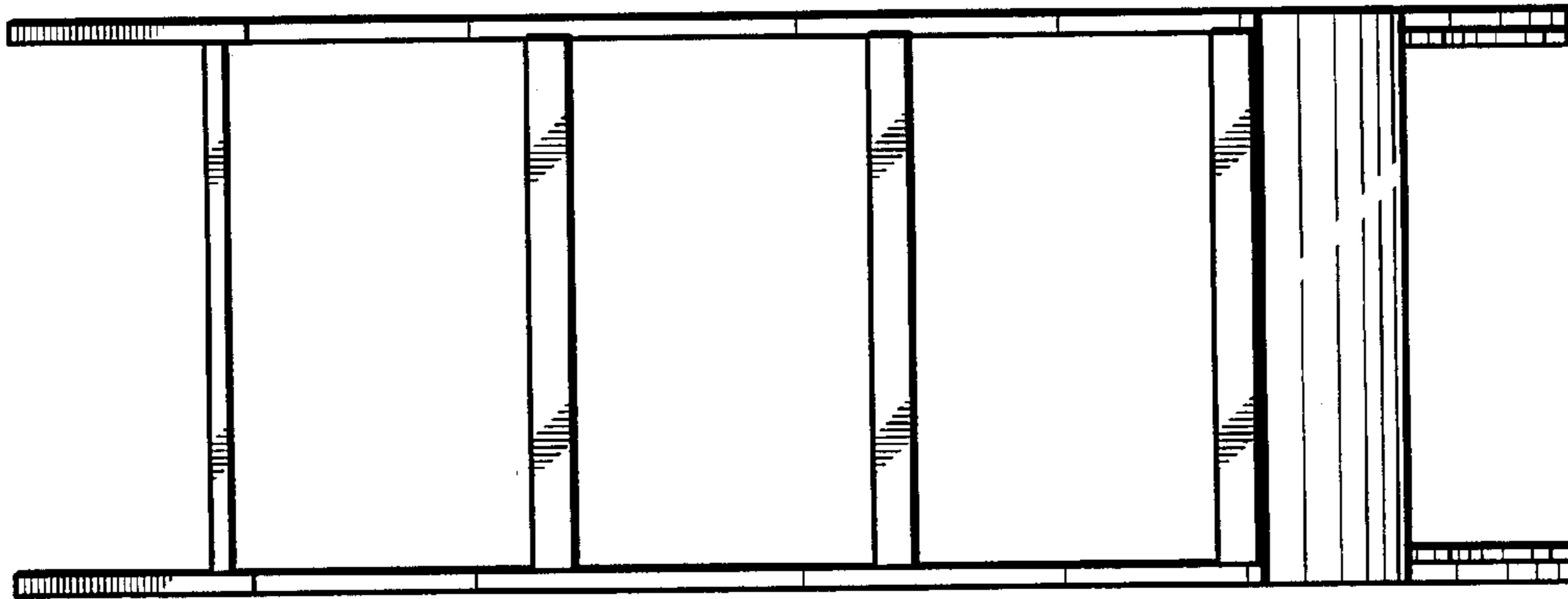


FIG. 4

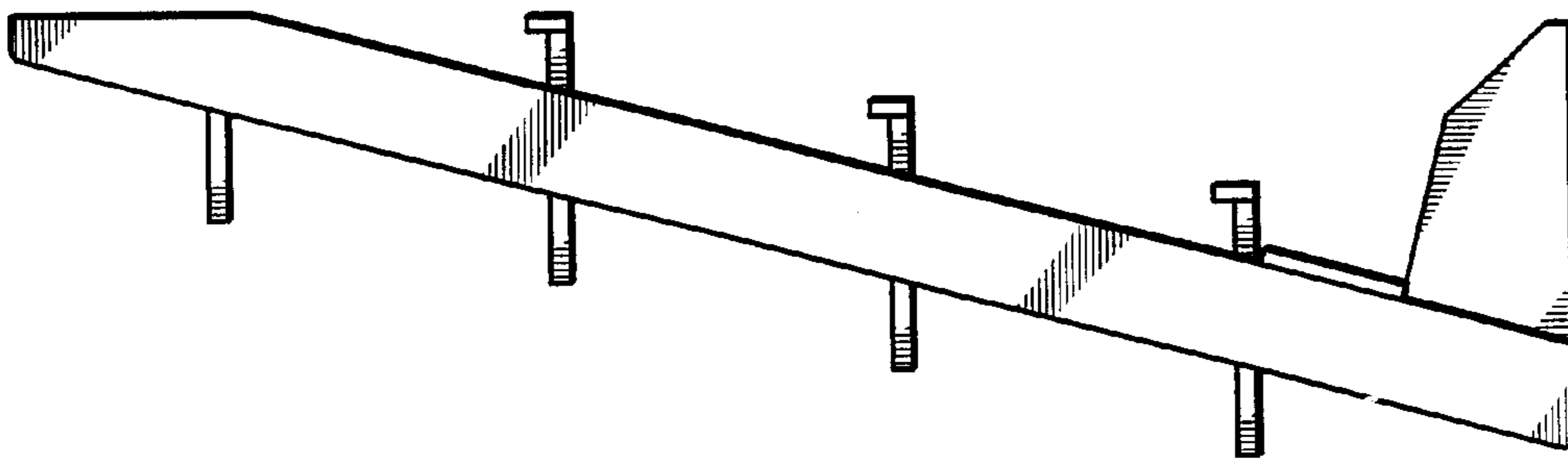


FIG. 3

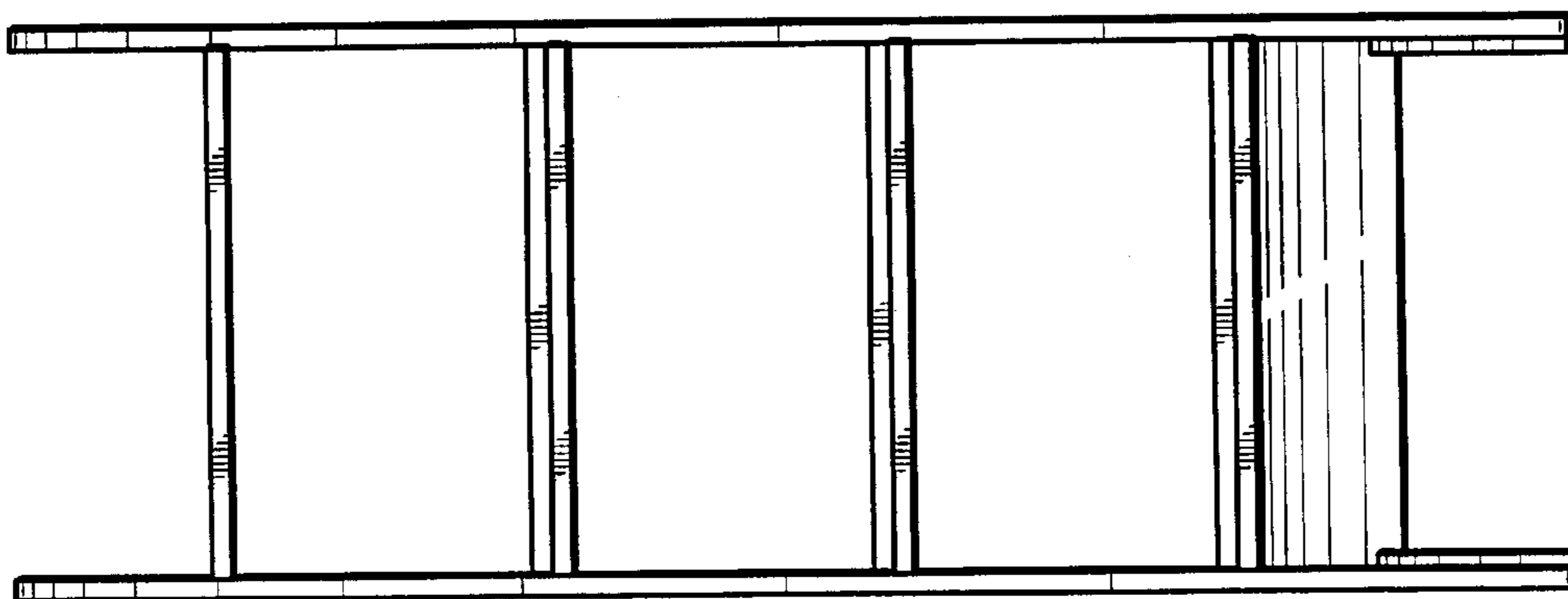


FIG. 2