

US00D521271S

(12) **United States Design Patent**  
**Auberger**

(10) **Patent No.:** **US D521,271 S**

(45) **Date of Patent:** **\*\* May 23, 2006**

(54) **BENCH**

(75) **Inventor:** **Benoit Auberger**, Mouilleron en Pareds (FR)

(73) **Assignee:** **Wesco Company S.A.**, Cerizay (FR)

(\*\*) **Term:** **14 Years**

(21) **Appl. No.:** **29/234,062**

(22) **Filed:** **Jul. 13, 2005**

(30) **Foreign Application Priority Data**

Jan. 13, 2005 (EP) ..... 000278791-0033

(51) **LOC (8) Cl.** ..... **06-01**

(52) **U.S. Cl.** ..... **D6/381**

(58) **Field of Classification Search** ..... D6/334-339,  
D6/349, 352, 364-366, 353, 369, 370, 495,  
D6/500-502; 5/12.1; 297/445.1, 232, 446.1,  
297/447.3, 448.1, 452.1

See application file for complete search history.

(56) **References Cited**

**U.S. PATENT DOCUMENTS**

2,150,434 A \* 3/1939 Finlay ..... 297/452.41  
3,756,657 A \* 9/1973 Johnson ..... 297/440.1  
D252,486 S \* 7/1979 Petersilie ..... D6/381  
D252,487 S \* 7/1979 Petersilie ..... D6/381  
4,179,158 A \* 12/1979 Flaum et al. .... 297/440.17  
D262,756 S \* 1/1982 Tiffany, III ..... D6/381  
D266,715 S \* 11/1982 Tiffany, III ..... D6/381  
D279,052 S \* 6/1985 McDonald ..... D6/334

D325,475 S \* 4/1992 Genova et al. .... D6/334  
D355,999 S \* 3/1995 Townsend ..... D6/502  
D374,355 S \* 10/1996 Natuzzi et al. .... D6/381  
D378,028 S \* 2/1997 Schefcik ..... D6/334  
D391,408 S \* 3/1998 Lee ..... D6/334  
D392,775 S \* 3/1998 McMahon ..... D30/118  
D396,332 S \* 7/1998 McMahon ..... D30/118  
D423,729 S \* 4/2000 Morgan ..... D30/118  
D427,731 S \* 7/2000 Copple ..... D30/118  
D446,030 S \* 8/2001 Linder ..... D6/334  
D446,949 S \* 8/2001 Linder ..... D6/335  
D457,924 S \* 5/2002 Schofield et al. .... D21/521  
D464,815 S \* 10/2002 Mendonca ..... D6/334  
D487,992 S \* 4/2004 Natuzzi ..... D6/381

\* cited by examiner

*Primary Examiner*—Sandra S. Snapp

(74) *Attorney, Agent, or Firm*—Horst M. Kasper

(57) **CLAIM**

The ornamental design for a bench, as shown and described.

**DESCRIPTION**

FIG. 1 is a front elevational view of a bench showing my new design;

FIG. 2 is a top plan view thereof;

FIG. 3 is a rear elevational view thereof;

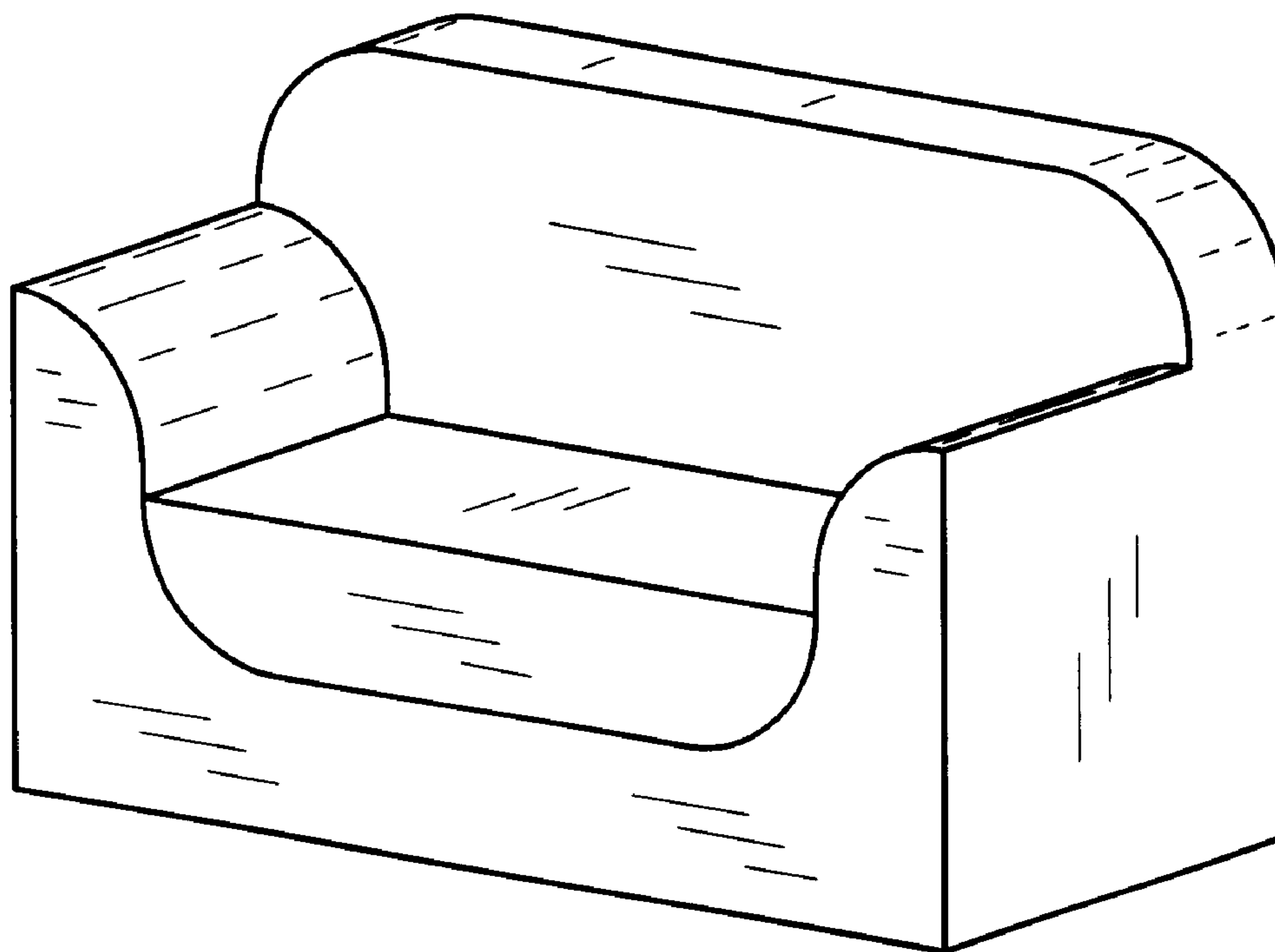
FIG. 4 is a right side elevational view thereof;

FIG. 5 is a left side elevational view thereof; and,

FIG. 6 is a perspective view thereof.

The claimed bench is used mainly by small children as furniture.

**1 Claim, 2 Drawing Sheets**



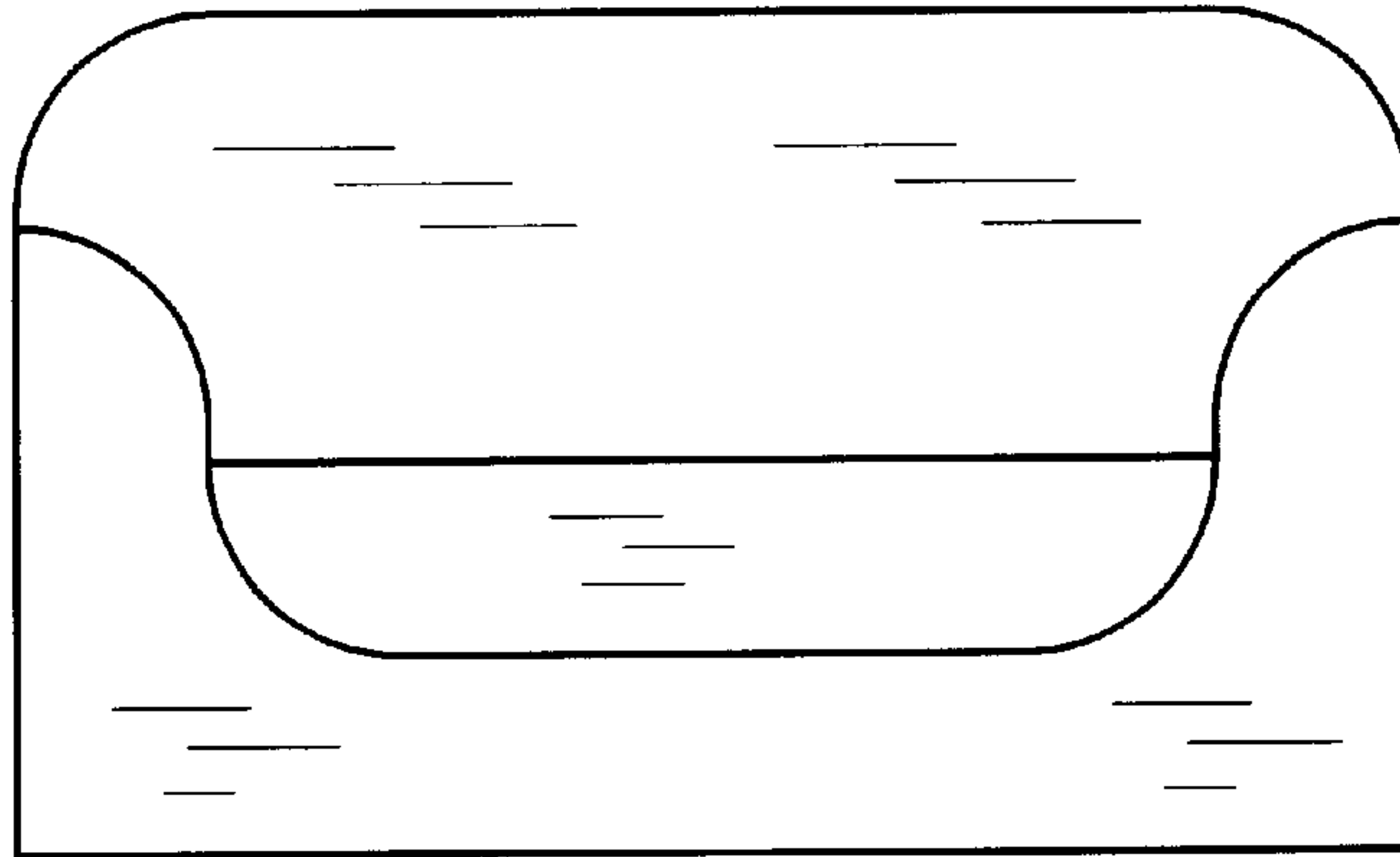


Fig.1

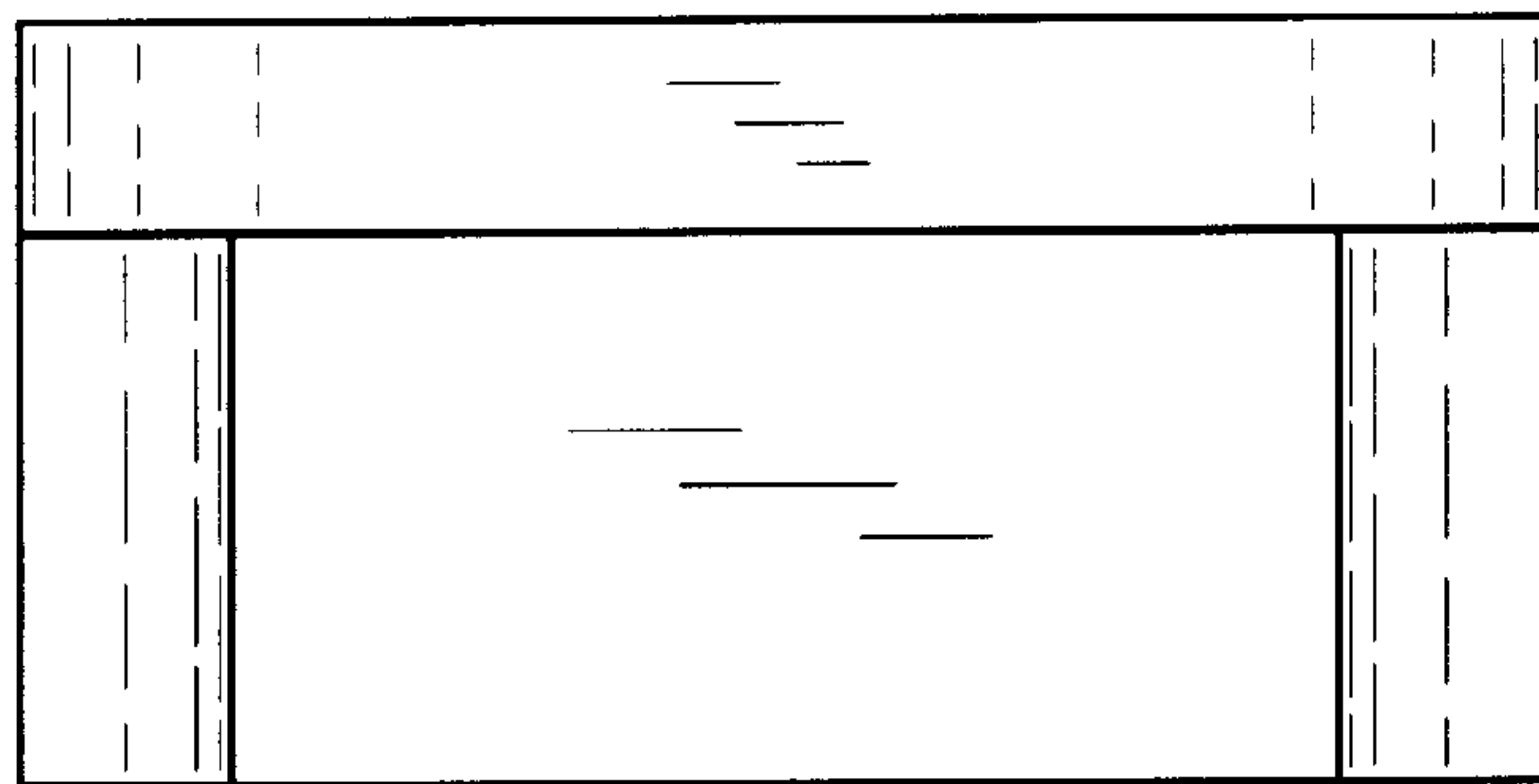


Fig.2

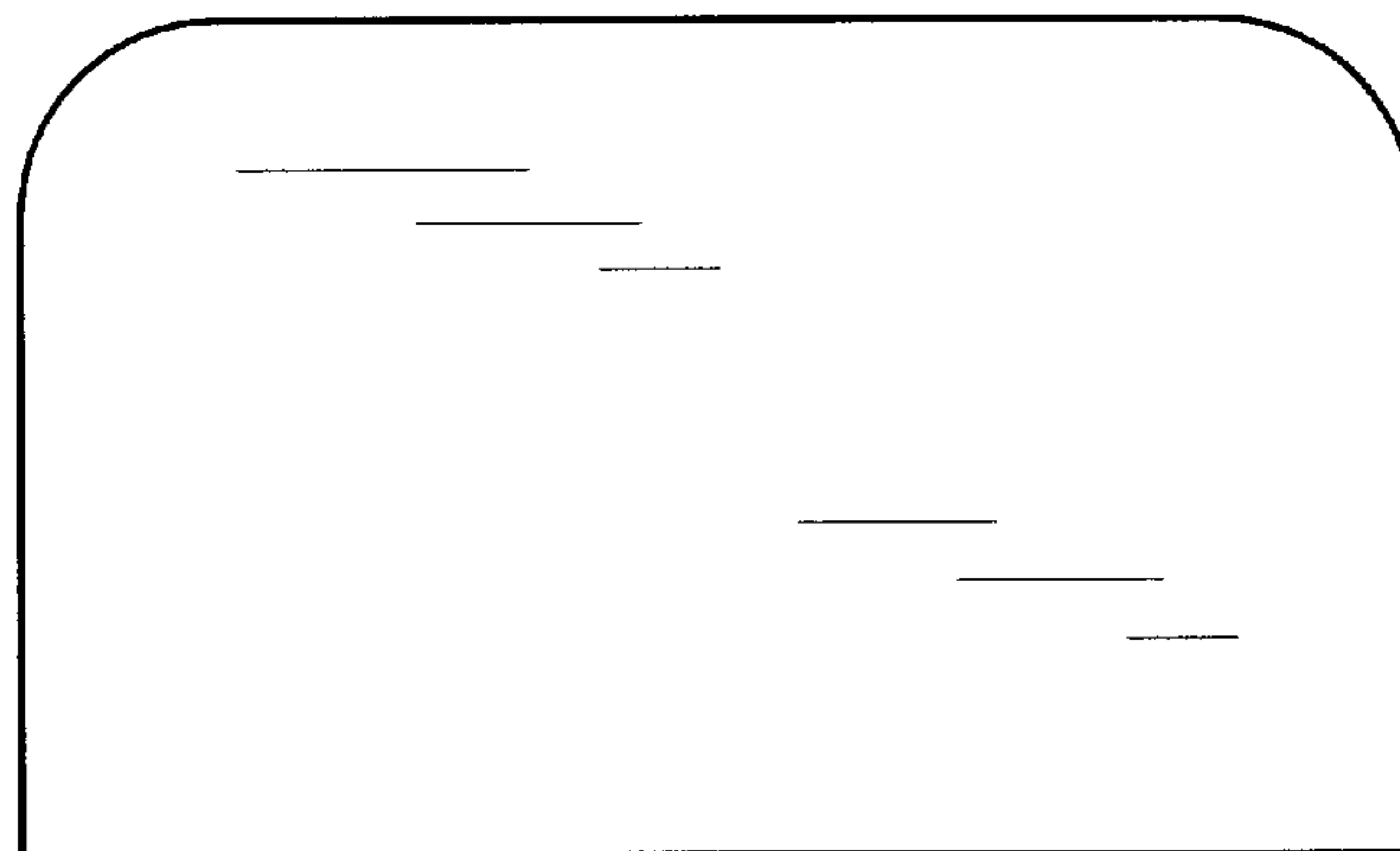


Fig.3

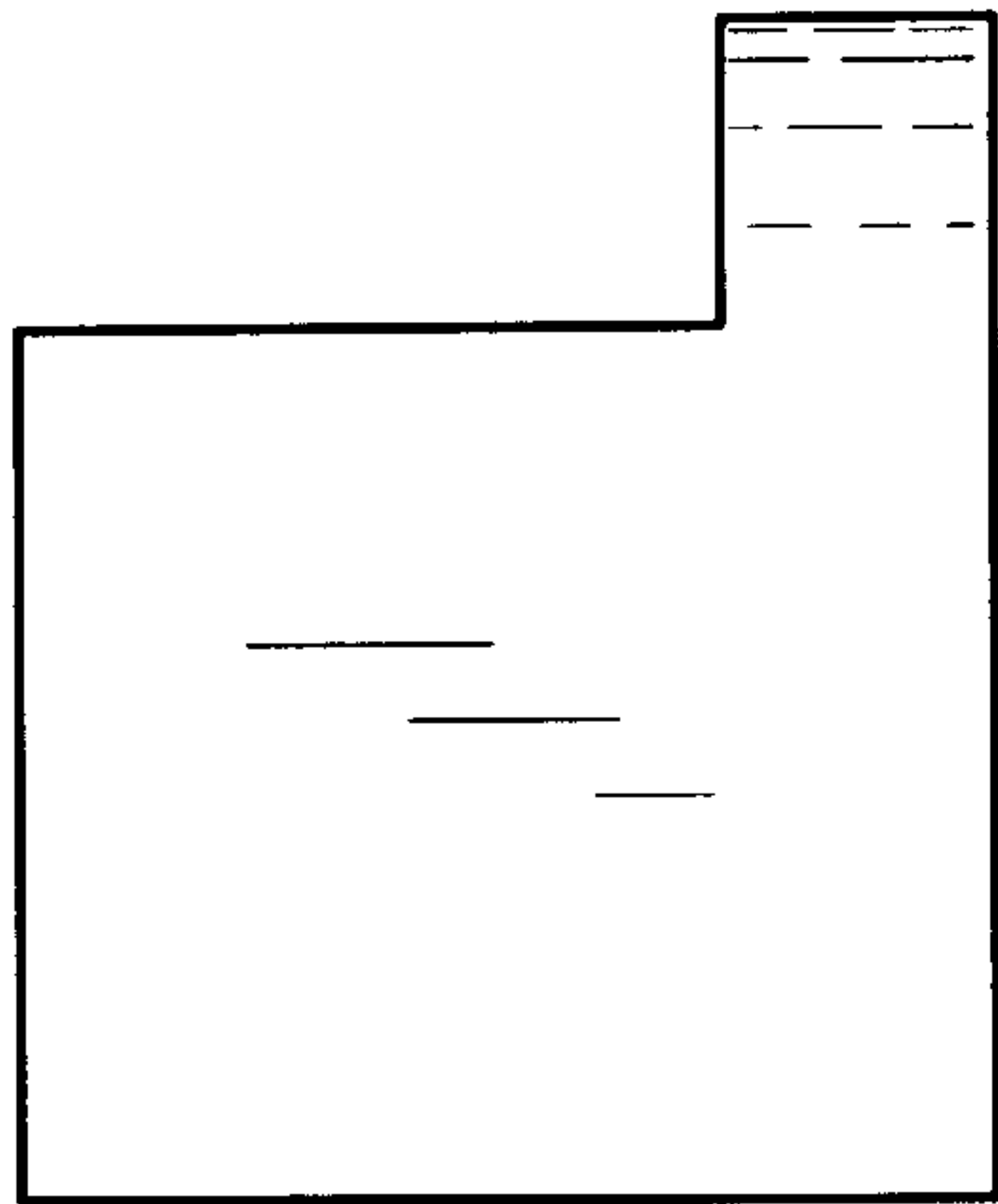


Fig.4

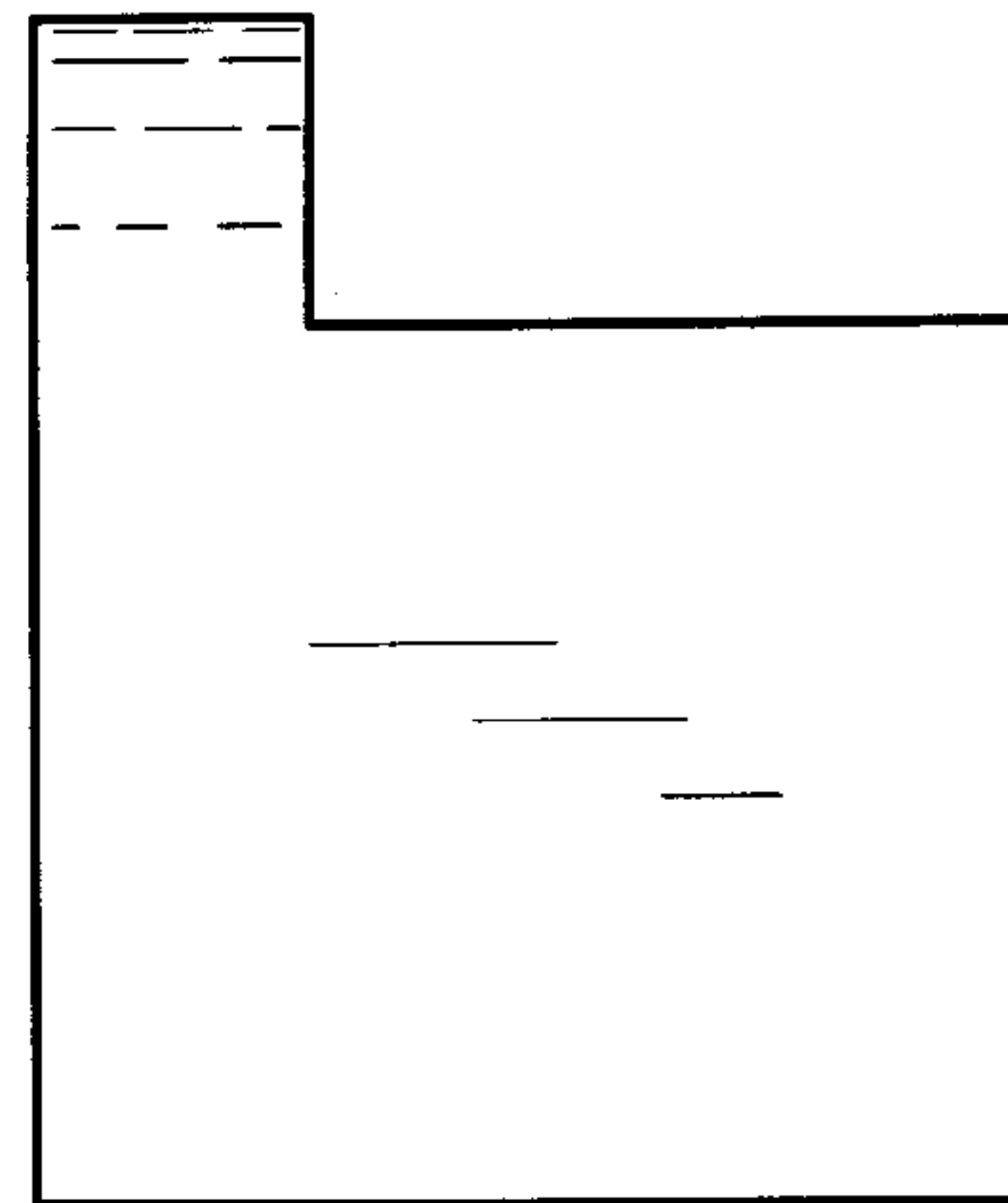


Fig.5

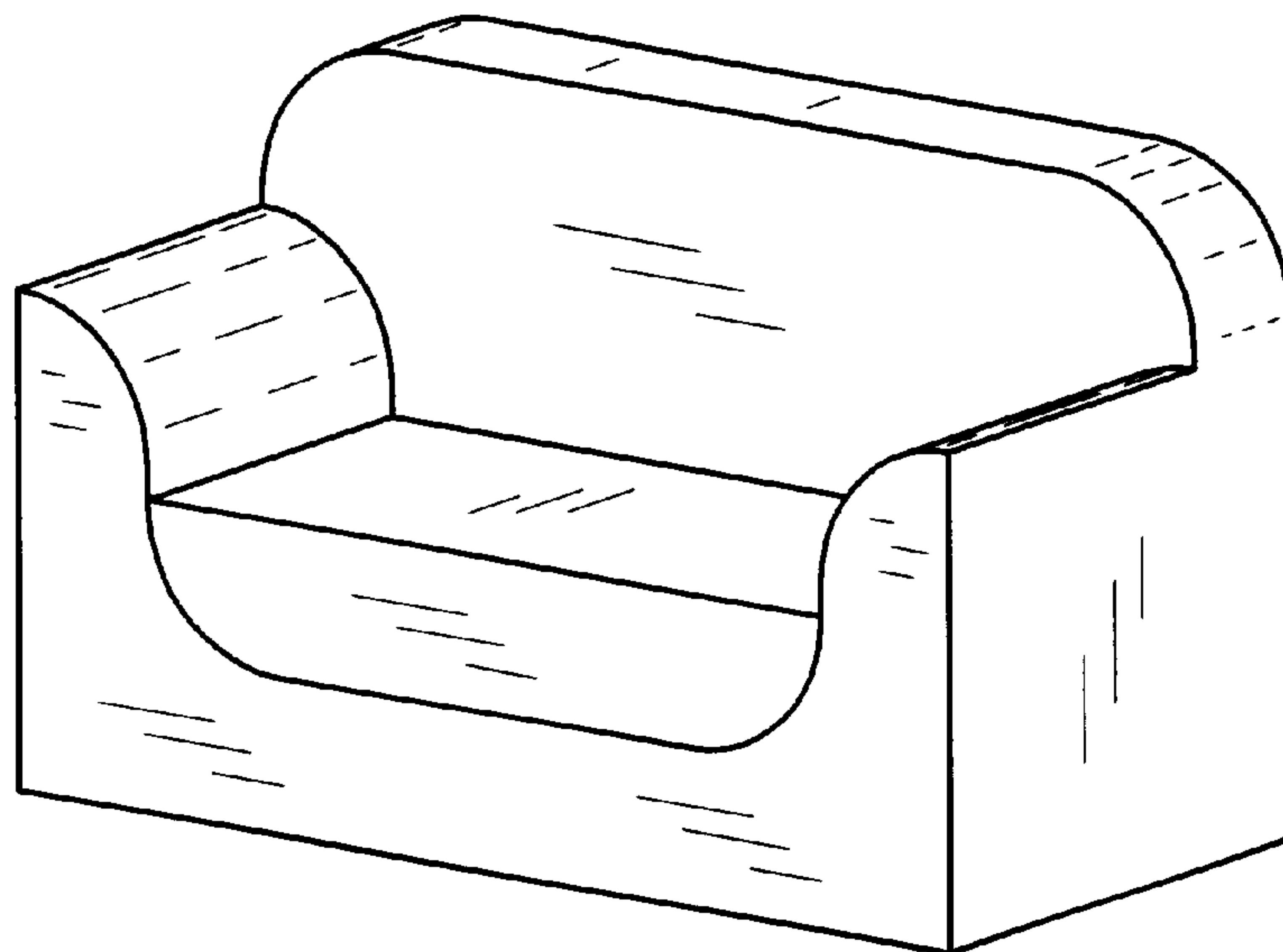


Fig.6