



US00D521269S

(12) **United States Design Patent**  
**Natuzzi**

(10) **Patent No.:** **US D521,269 S**

(45) **Date of Patent:** **\*\* May 23, 2006**

(54) **SOFA**  
(75) **Inventor:** **Pasquale Natuzzi**, Santeramo in Colle  
Bari (IT)

(73) **Assignee:** **Natuzzi S.p.A.**, Bari (IT)

(\*\*) **Term:** **14 Years**

(21) **Appl. No.:** **29/216,252**

(22) **Filed:** **Oct. 29, 2004**

(51) **LOC (8) Cl.** ..... **06-01**

(52) **U.S. Cl.** ..... **D6/381**

(58) **Field of Classification Search** ..... D6/334-336,  
D6/371, 381, 500-502; 5/12.1; 297/232,  
297/445.1

See application file for complete search history.

(56) **References Cited**

**U.S. PATENT DOCUMENTS**

D183,286 S	*	7/1958	Maurer	.....	D6/381
D407,229 S	*	3/1999	Riboldi	.....	D6/381
D426,397 S	*	6/2000	Nicoletti	.....	D6/381
D431,925 S	*	10/2000	Natuzzi et al.	.....	D6/381
D443,996 S	*	6/2001	Nicoletti	.....	D6/381

D444,641 S	*	7/2001	Lipparini	.....	D6/381
D479,055 S	*	9/2003	Nicoletti	.....	D6/381
D487,644 S	*	3/2004	Natuzzi	.....	D6/381
D487,647 S	*	3/2004	Natuzzi	.....	D6/381
D493,299 S	*	7/2004	Nicoletti	.....	D6/381

\* cited by examiner

*Primary Examiner*—Caron D. Veynar

*Assistant Examiner*—Vy Nguyen

(74) *Attorney, Agent, or Firm*—Egbert Law Offices

(57) **CLAIM**

I claim the ornamental design for a sofa, as shown and described.

**DESCRIPTION**

FIG. 1 is a front elevation view of the sofa showing my design.

FIG. 2 is top plan view thereof;

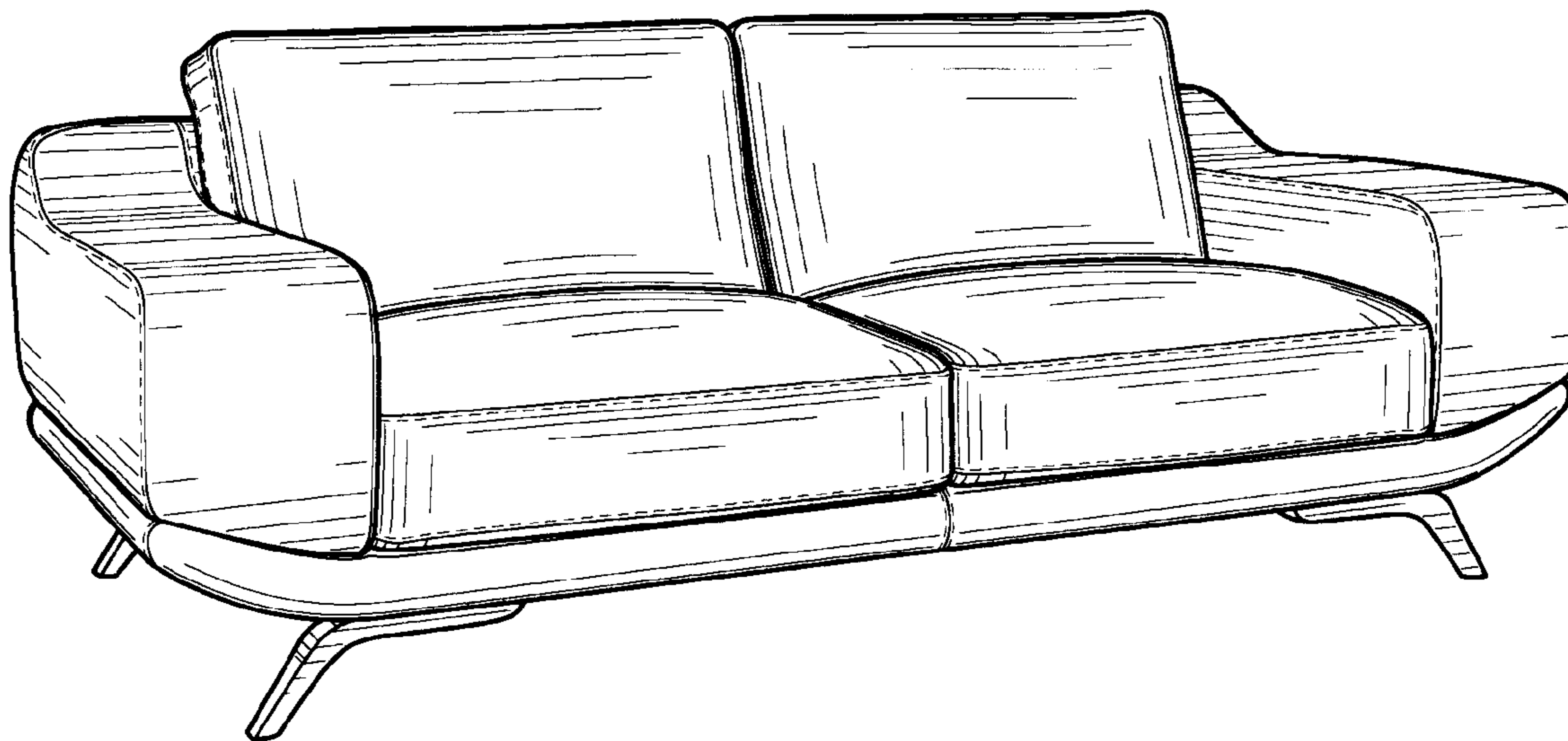
FIG. 3 is a front perspective view thereof;

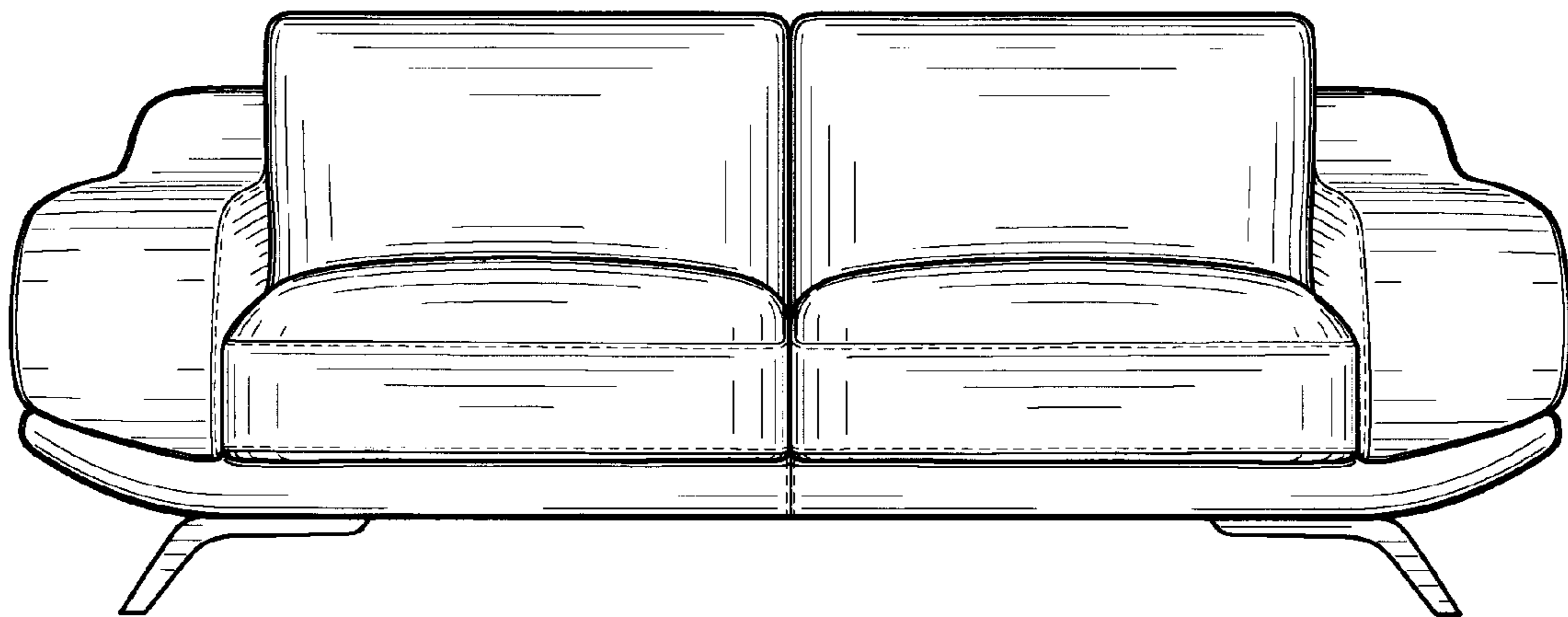
FIG. 4 is a back perspective view thereof; and,

FIG. 5 is a side view thereof, an opposite side view being a mirror image thereof.

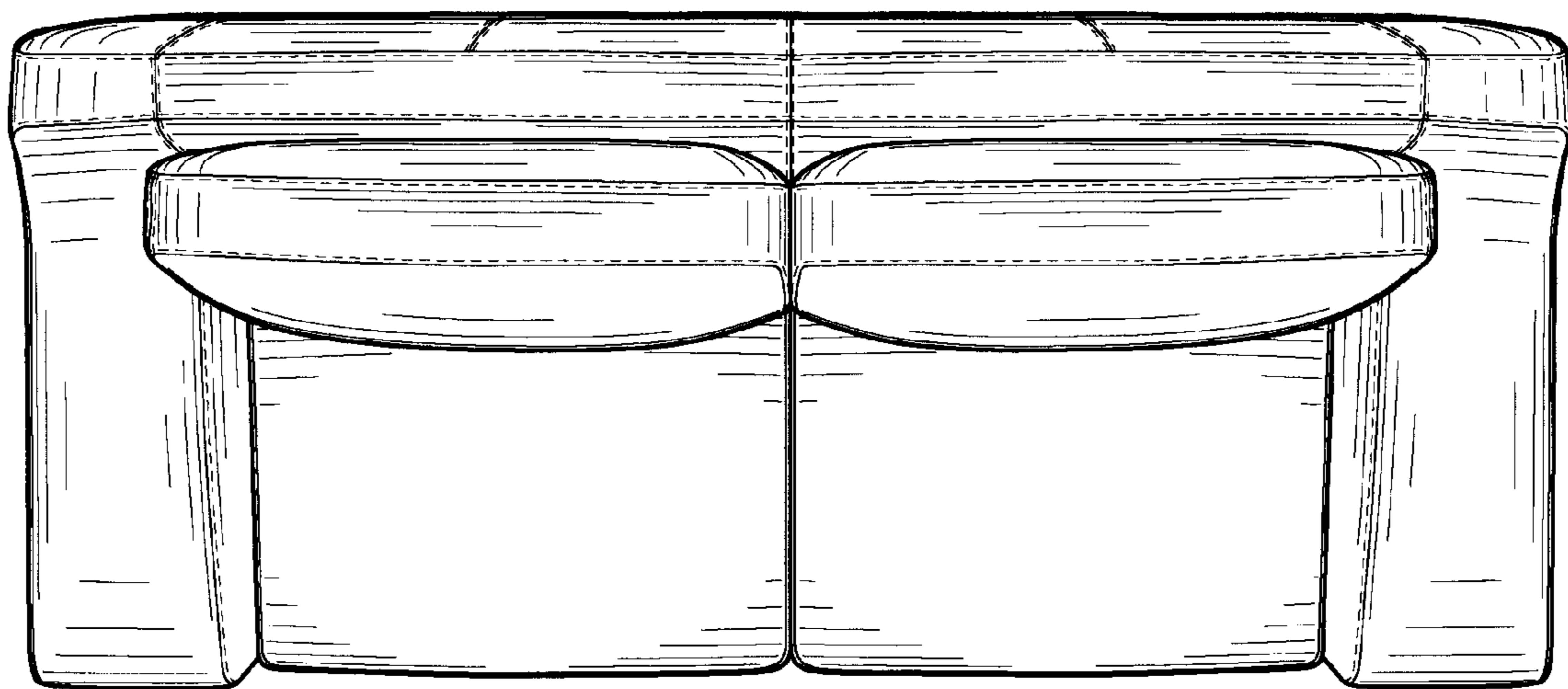
The broken lines shown on the sofa are understood to represent stitching.

**1 Claim, 3 Drawing Sheets**

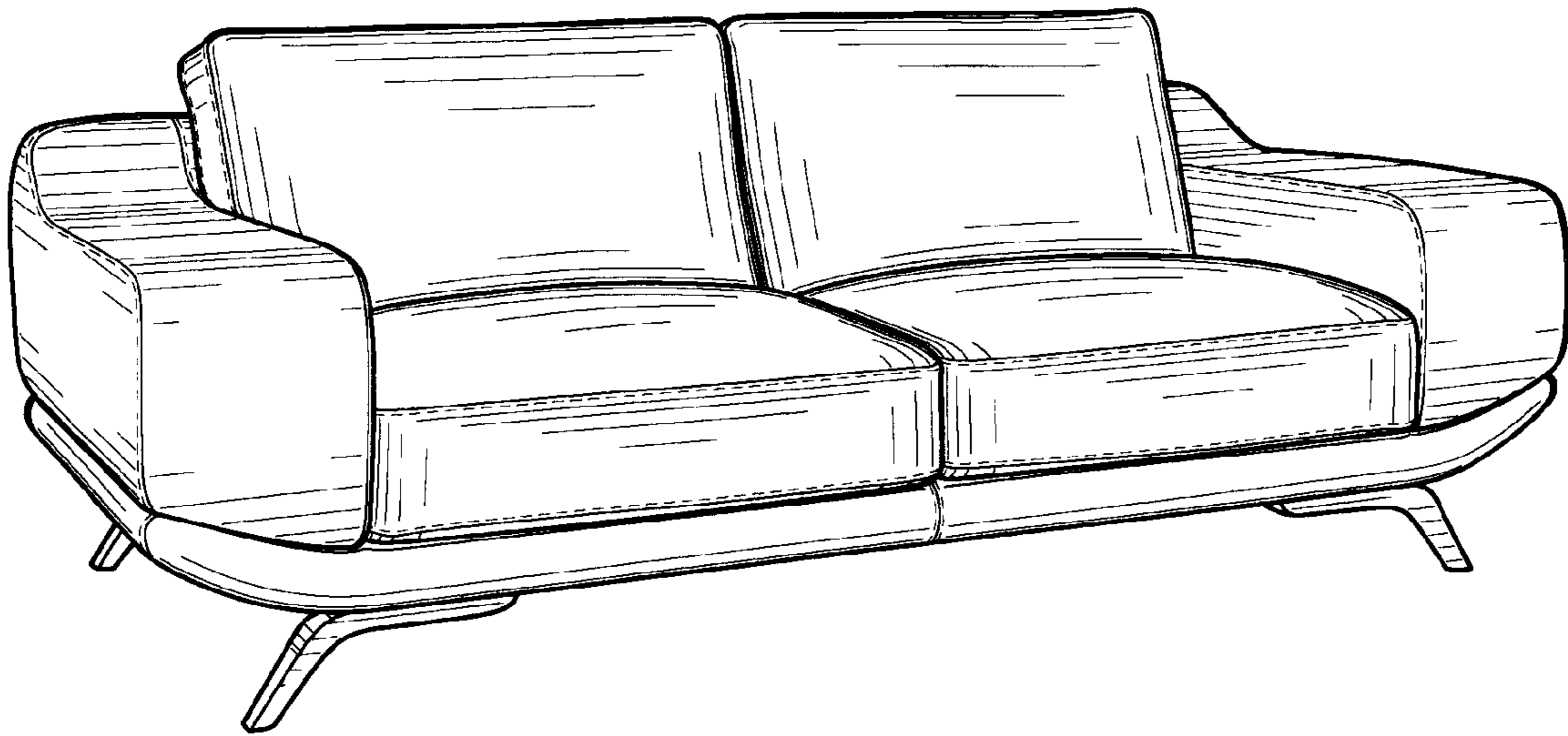




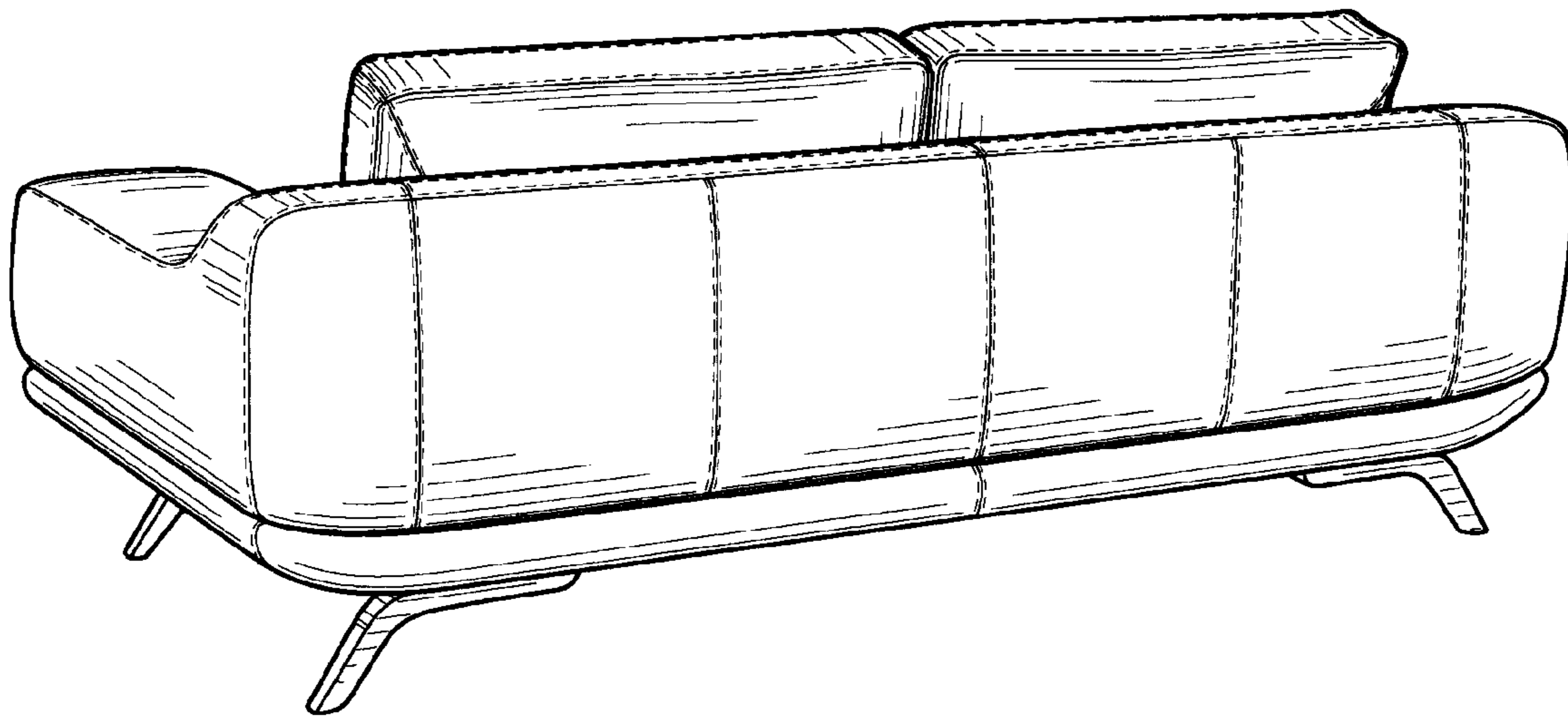
*FIG. 1*



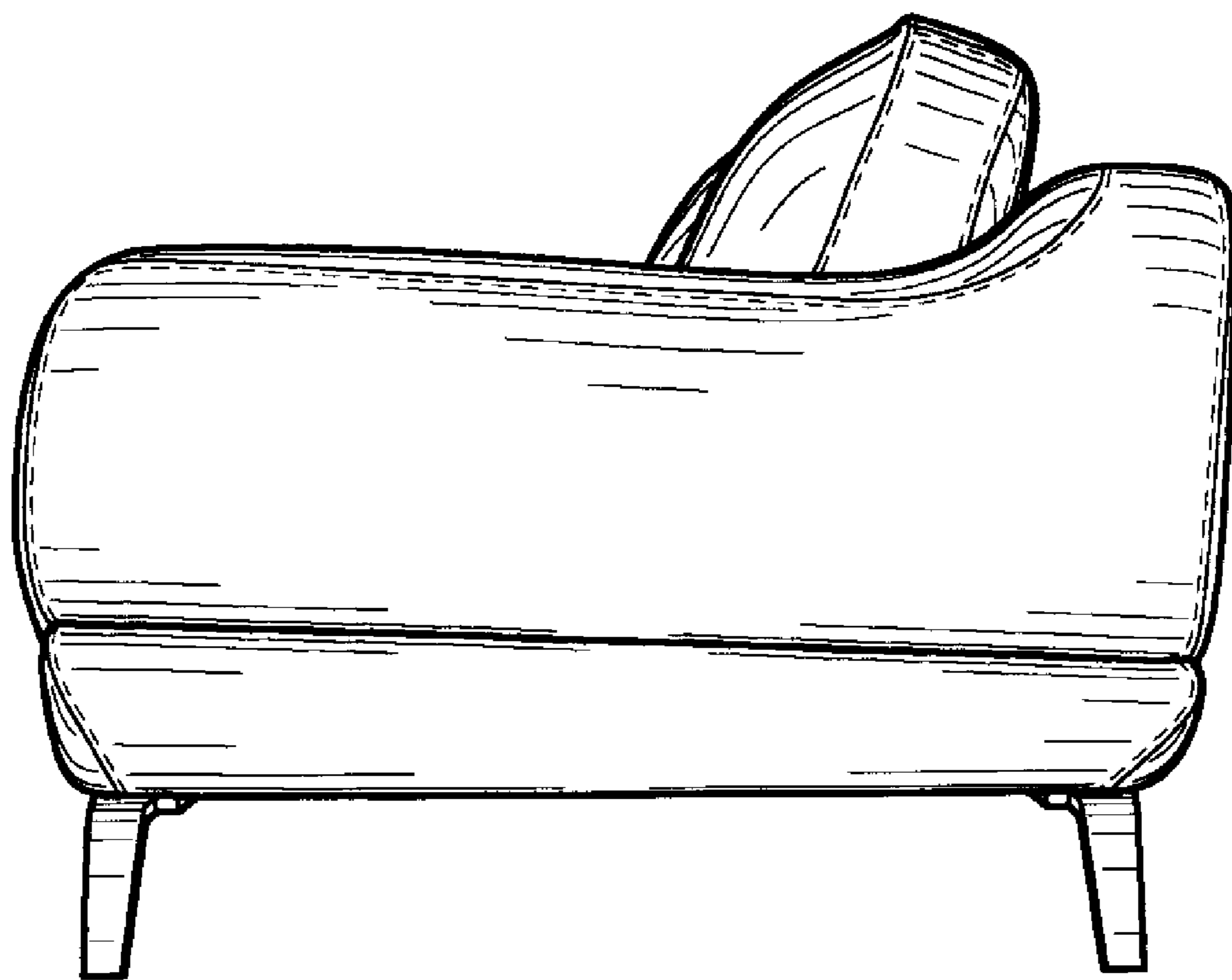
*FIG. 2*



*FIG. 3*



*FIG. 4*



**FIG. 5**