



US00D521264S

(12) **United States Design Patent**  
**Ware et al.**

(10) **Patent No.:** **US D521,264 S**

(45) **Date of Patent:** **\*\* May 23, 2006**

(54) **CHAIR**

(75) Inventors: **R. Duane Ware**, Temperance, MI (US);  
**Phillip P. Swy**, Temperance, MI (US)

(73) Assignee: **Michigan Tube Swagers and Fabricators, Inc.**, Temperance, MI (US)

(\*\*) Term: **14 Years**

(21) Appl. No.: **29/193,338**

(22) Filed: **Nov. 7, 2003**

(51) **LOC (8) Cl.** ..... **06-01**

(52) **U.S. Cl.** ..... **D6/374**

(58) **Field of Classification Search** ..... D6/334,  
D6/335, 371, 372, 373, 374, 376, 379, 380,  
D6/500-502; 297/239, 445.1, 446.1, 448.1

See application file for complete search history.

(56) **References Cited**

**U.S. PATENT DOCUMENTS**

D341,045 S	11/1993	Barile	.....	D6/502
D345,479 S	* 3/1994	Infanti	.....	D6/502
D401,453 S	* 11/1998	Holt	.....	D6/502
D411,397 S	6/1999	Arango	.....	D6/502
D411,699 S	* 6/1999	Bond et al.	.....	D6/502
D411,772 S	* 7/1999	Piretti	.....	D6/374
D413,216 S	8/1999	Regan et al.	.....	D6/502
D413,743 S	9/1999	Regan et al.	.....	D6/502
6,174,029 B1	* 1/2001	Swy	.....	297/448.1
D463,693 S	* 10/2002	Hsieh	.....	D6/502
D470,321 S	* 2/2003	Roth	.....	D6/379
D492,145 S	* 6/2004	Barile, Sr.	.....	D6/502
D495,166 S	* 8/2004	Chu	.....	D6/500
D496,547 S	* 9/2004	Gasser	.....	D6/502
D506,338 S	* 6/2005	Gasser	.....	D6/502

2005/0099045 A1 \* 5/2005 Socha et al. .... 297/239

**OTHER PUBLICATIONS**

Gasser Chair Company, Inc., Product Summary Catalog, ©1999 Gasser Chair Co. Inc.

Shelby Williams Website; www.shelbywilliams.com/images—BQT-10, 11, 12, 13, 14, 14A, 15, 16, 17A, 18A, 19, 20A, 21A, 23A, 26A, 27A, and 29A.jpg.

\* cited by examiner

*Primary Examiner*—Mimosa De

(74) *Attorney, Agent, or Firm*—Gifford, Krass, Groh, Sprinkle, Anderson & Citkowski, PC

(57) **CLAIM**

The ornamental design for a chair, as shown and described.

**DESCRIPTION**

FIG. 1 is a perspective view of a first embodiment of a chair according to the present invention;

FIG. 2 is a front-elevational view of the chair of FIG. 1;

FIG. 3 is a side-elevational view of the chair of FIGS. 1 and 2, the other side view being a mirror image thereof;

FIG. 4 is a rear elevational view of the chair of FIGS. 1-3;

FIG. 5 is a top plan view of the chair of FIGS. 1-4;

FIG. 6 is a bottom view of the chair of FIGS. 1-5;

FIG. 7 is a perspective view of a second embodiment of a chair according to the present invention;

FIG. 8 is a front-elevational view of the chair of FIG. 7;

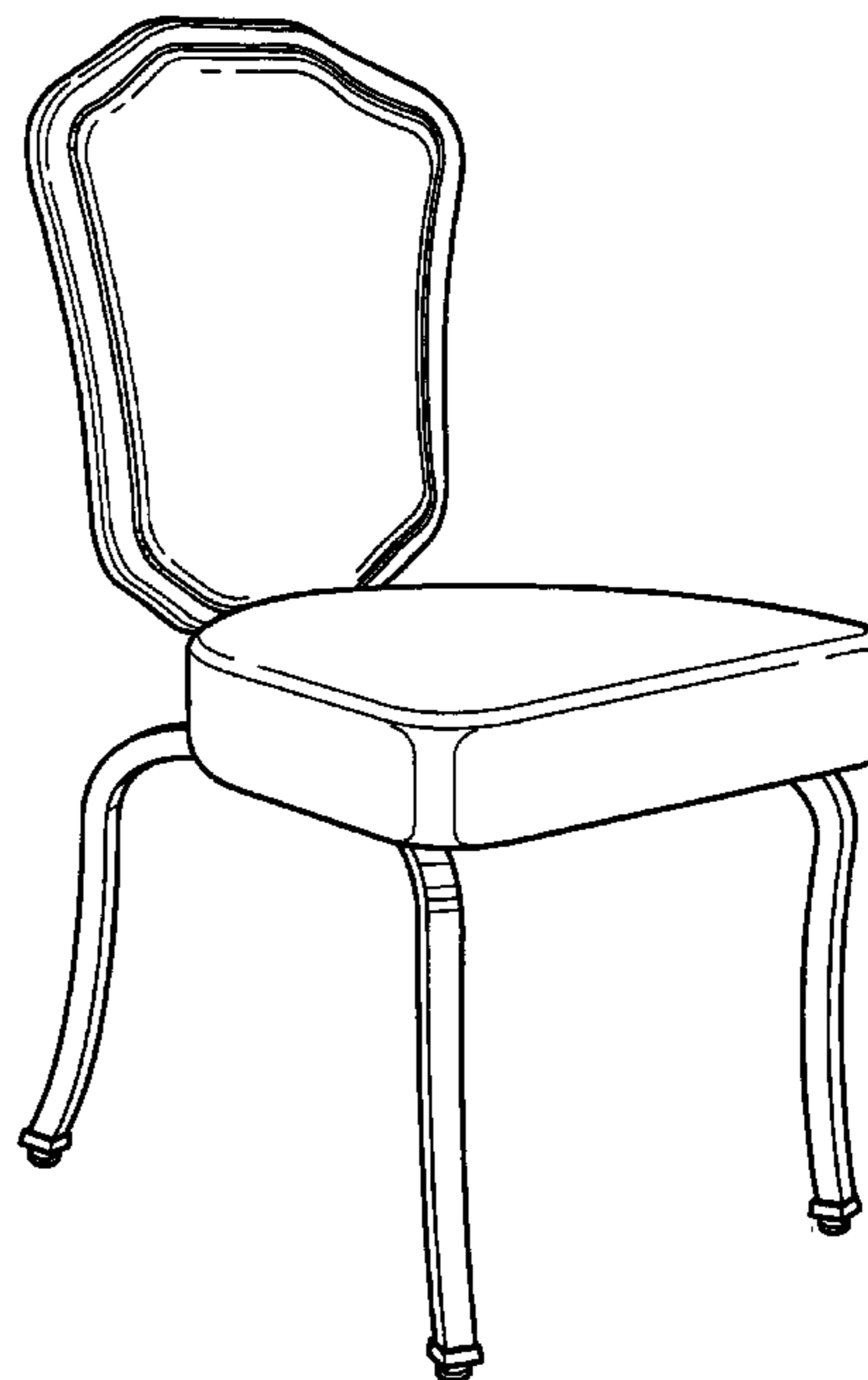
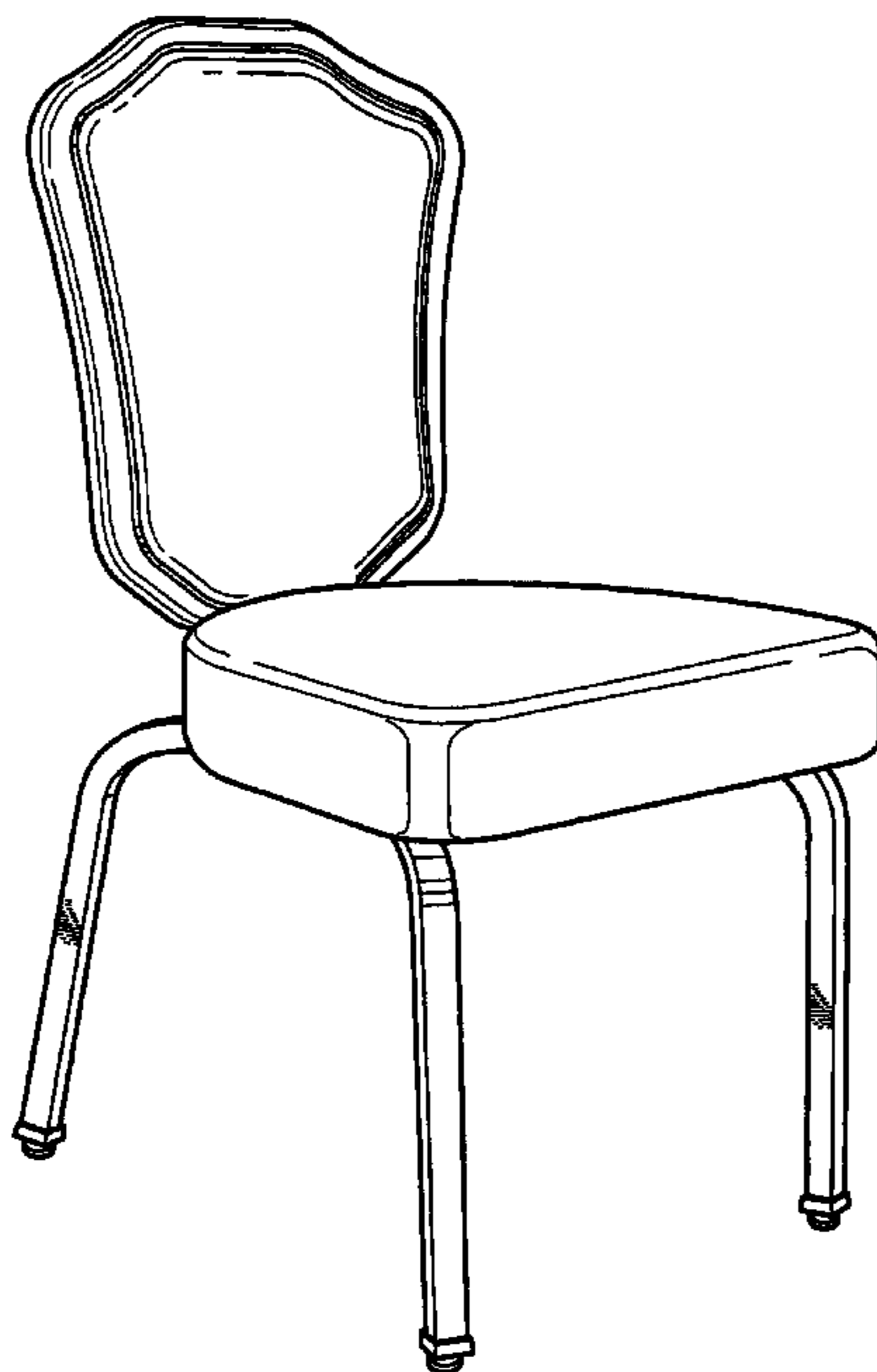
FIG. 9 is a side-elevational view of the chair of FIGS. 7 and 8, the other side view being a mirror image thereof;

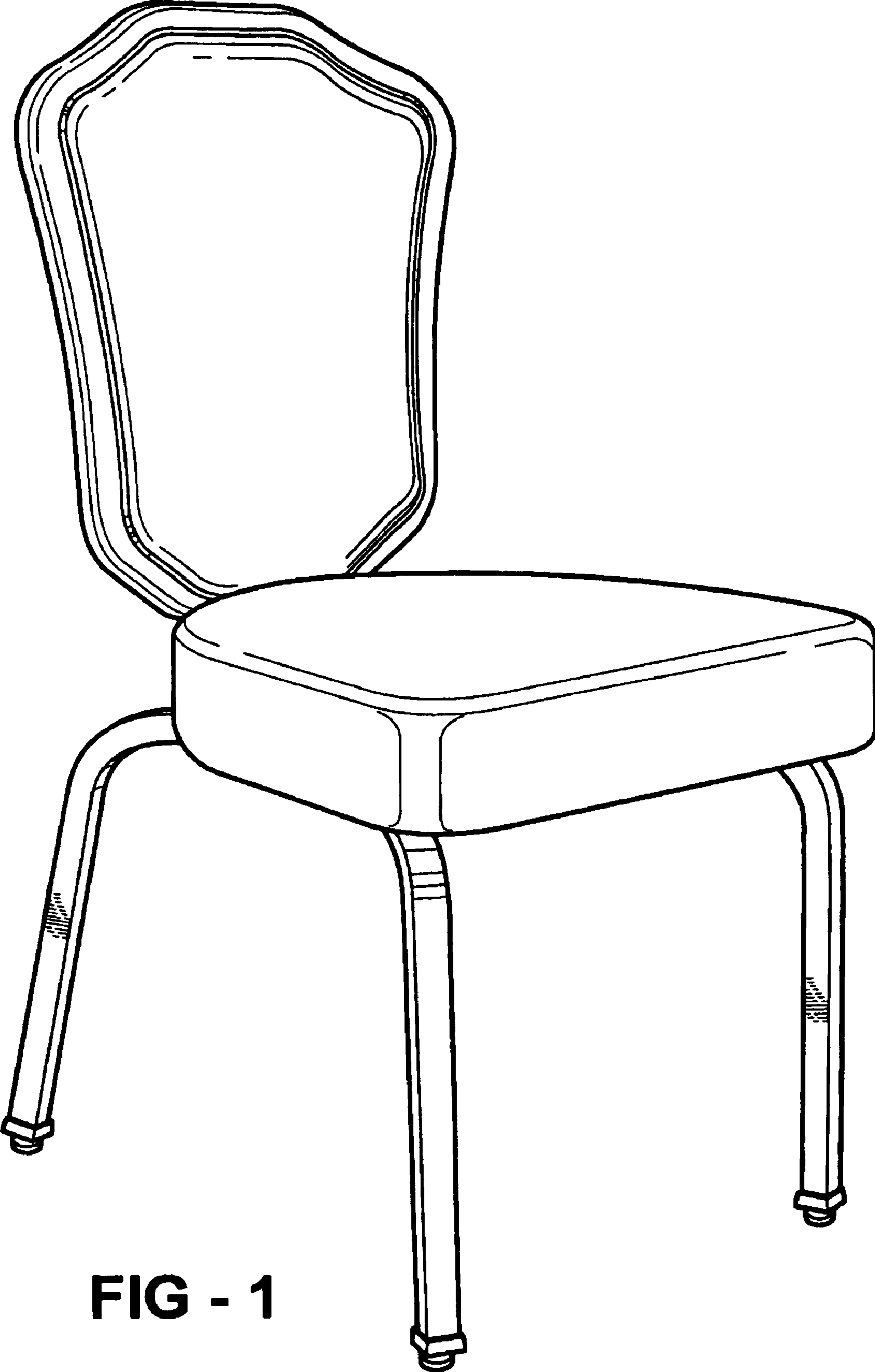
FIG. 10 is a rear elevational view of the chair of FIGS. 7-9;

FIG. 11 is a top plan view of the chair of FIGS. 7-10; and,

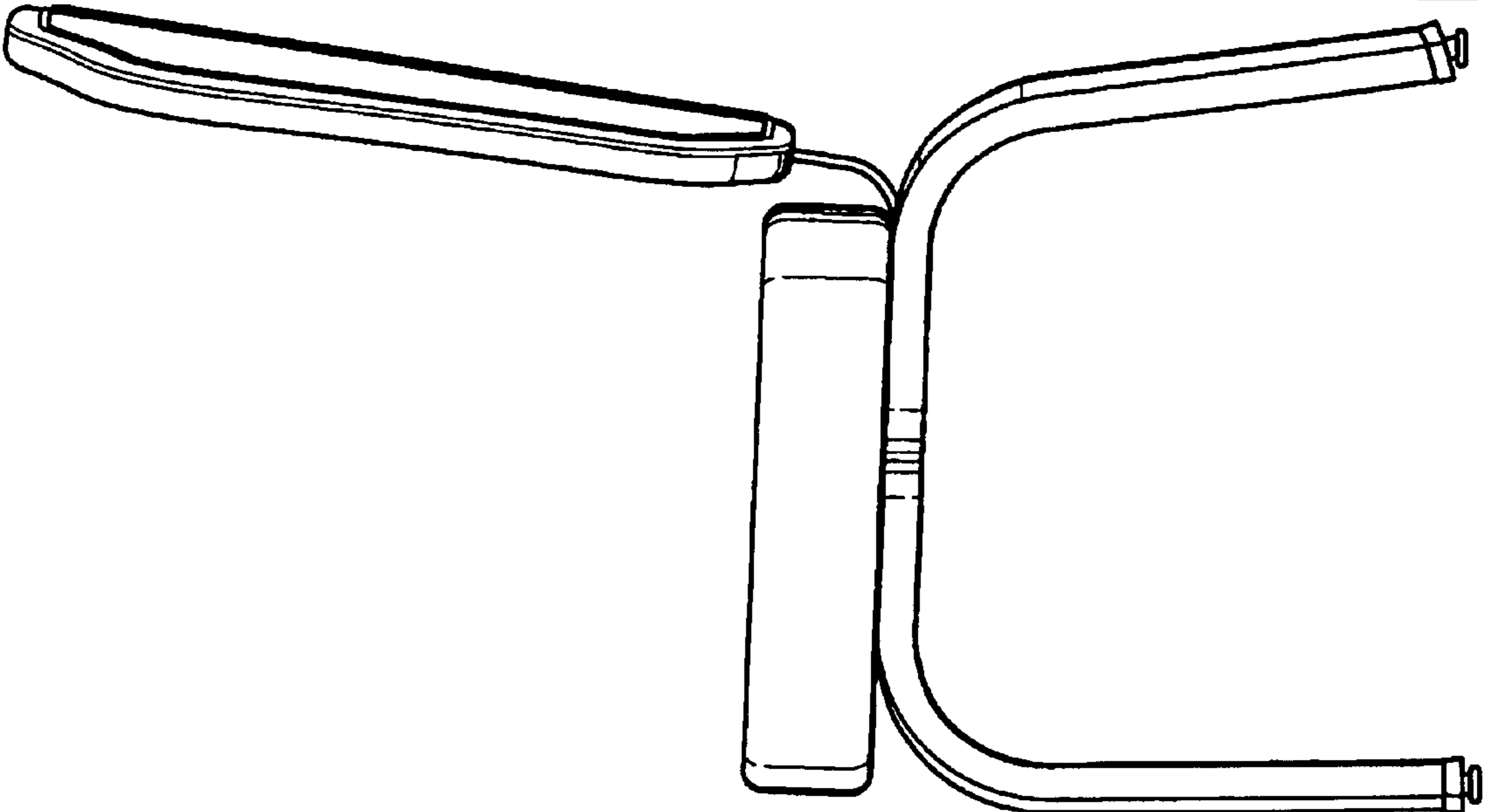
FIG. 12 is a bottom view of the chair of FIGS. 7-11.

**1 Claim, 6 Drawing Sheets**

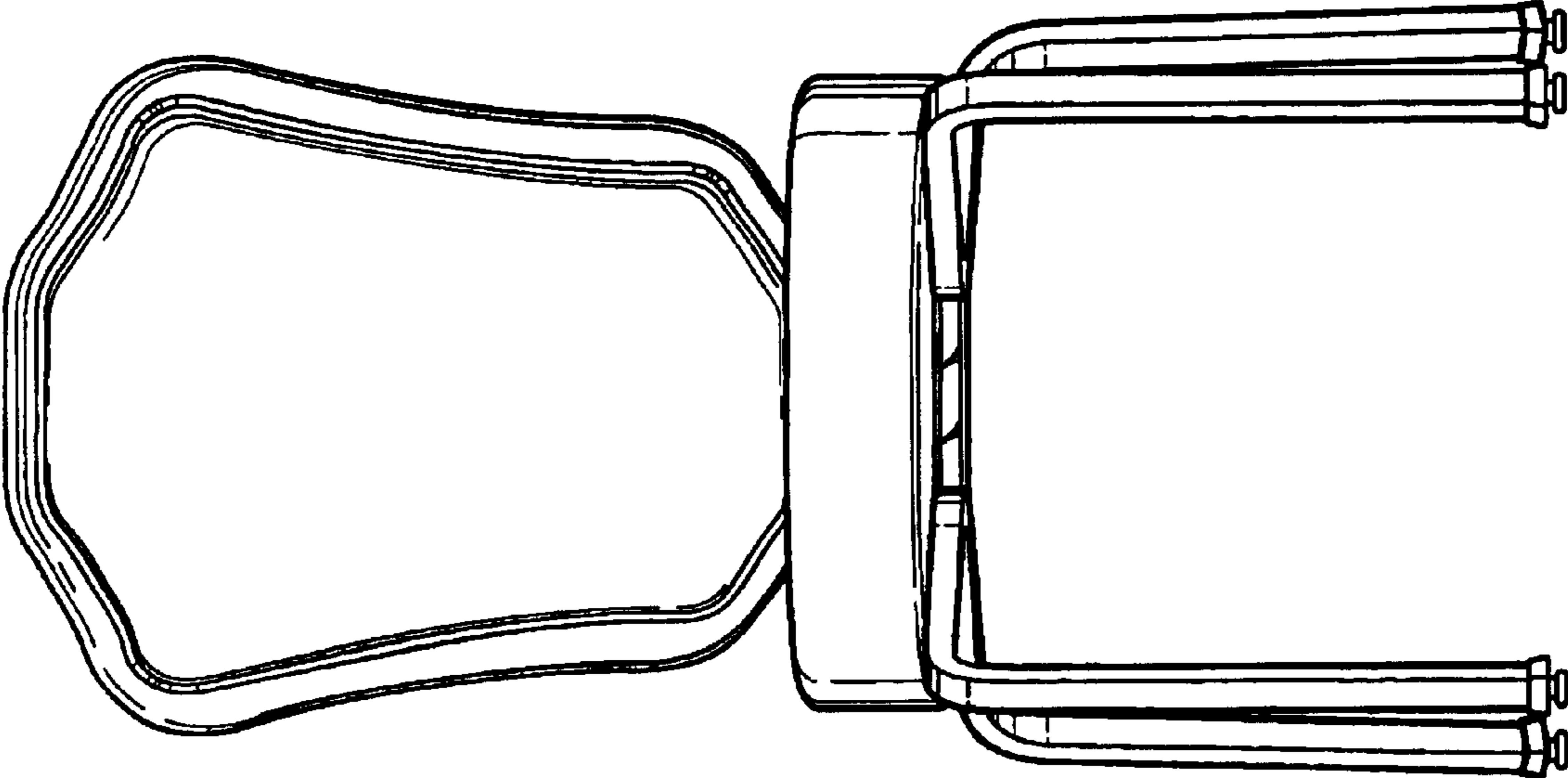




**FIG - 1**



**FIG - 3**



**FIG - 2**

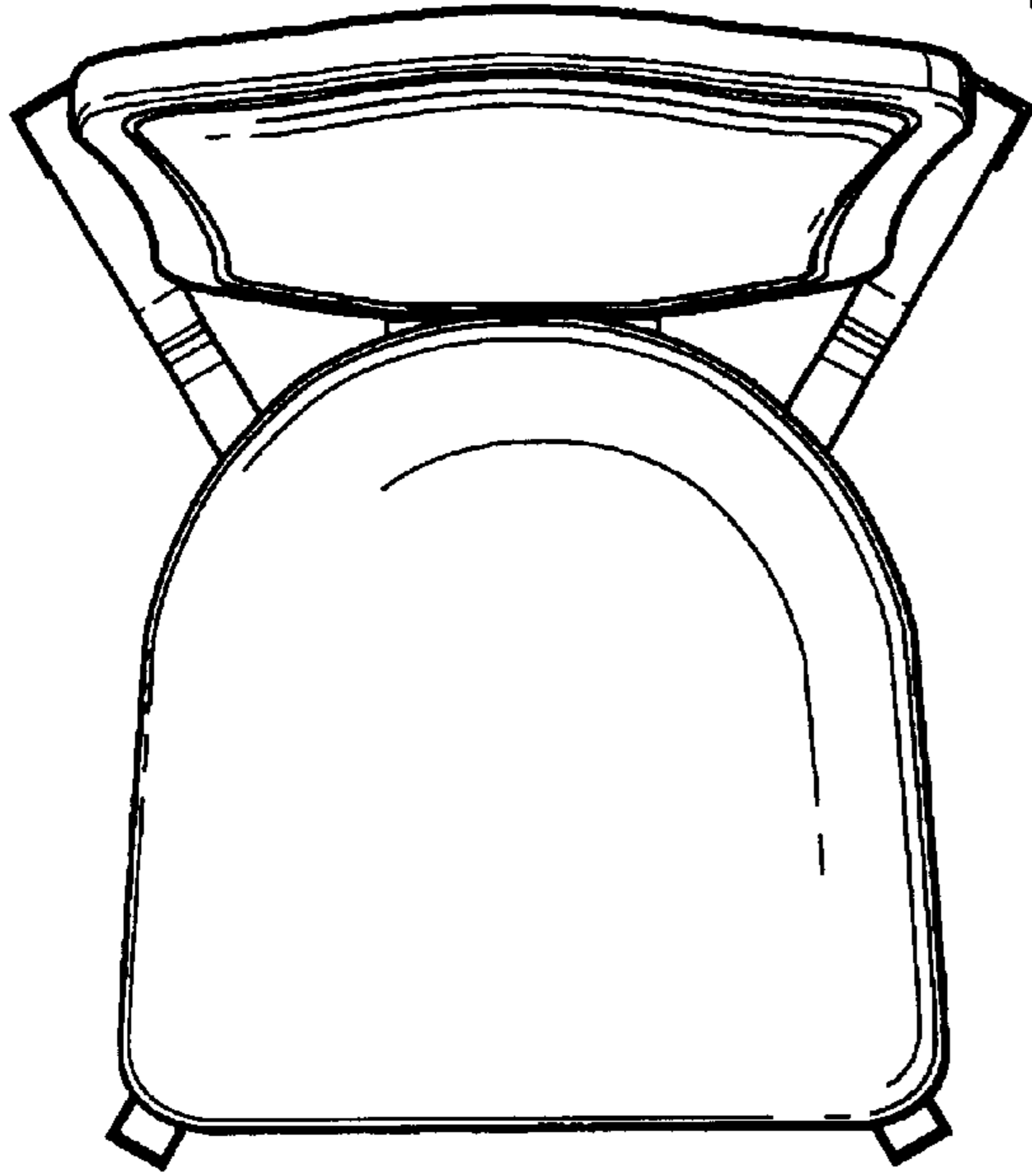


FIG - 5

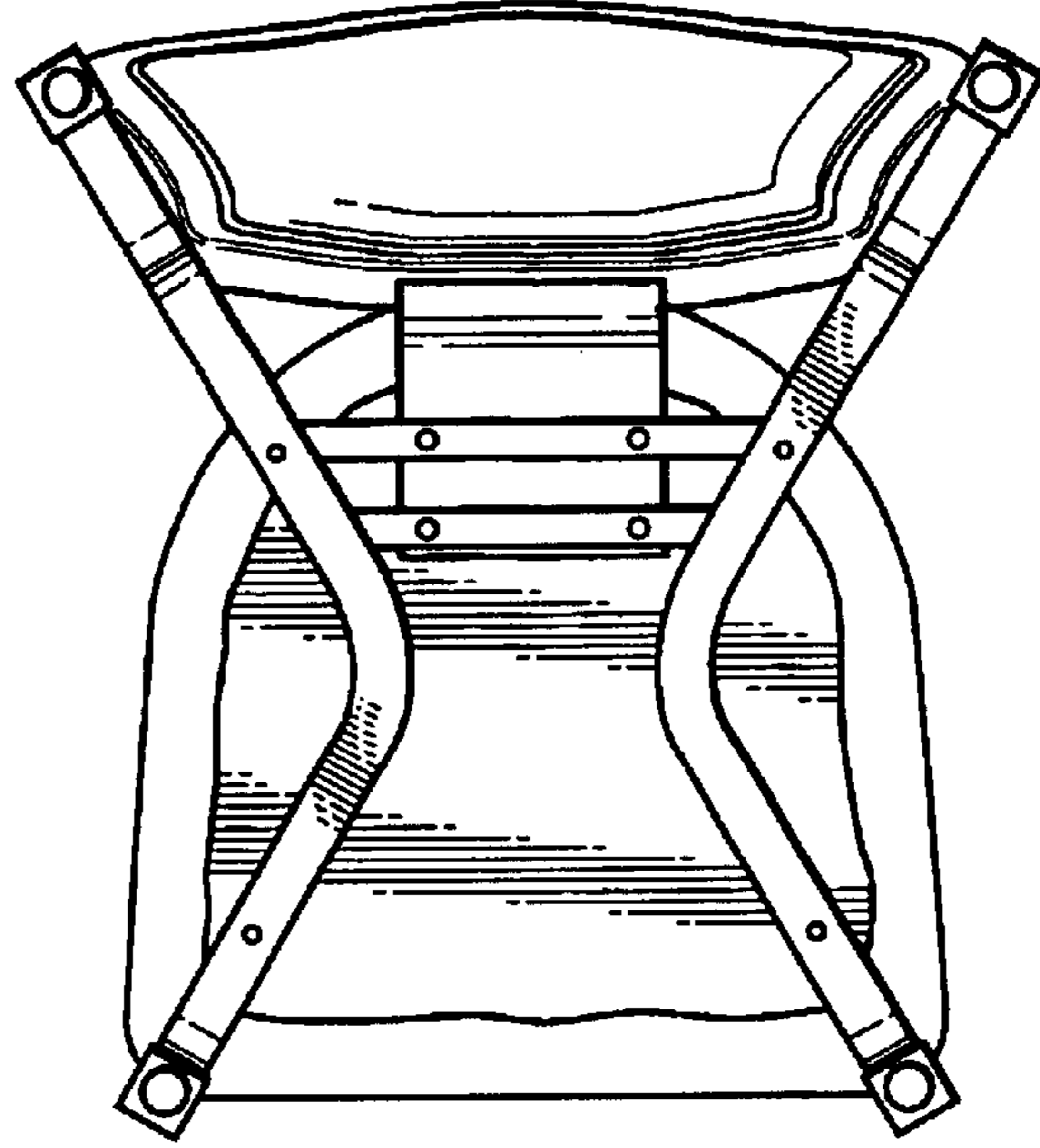


FIG - 6

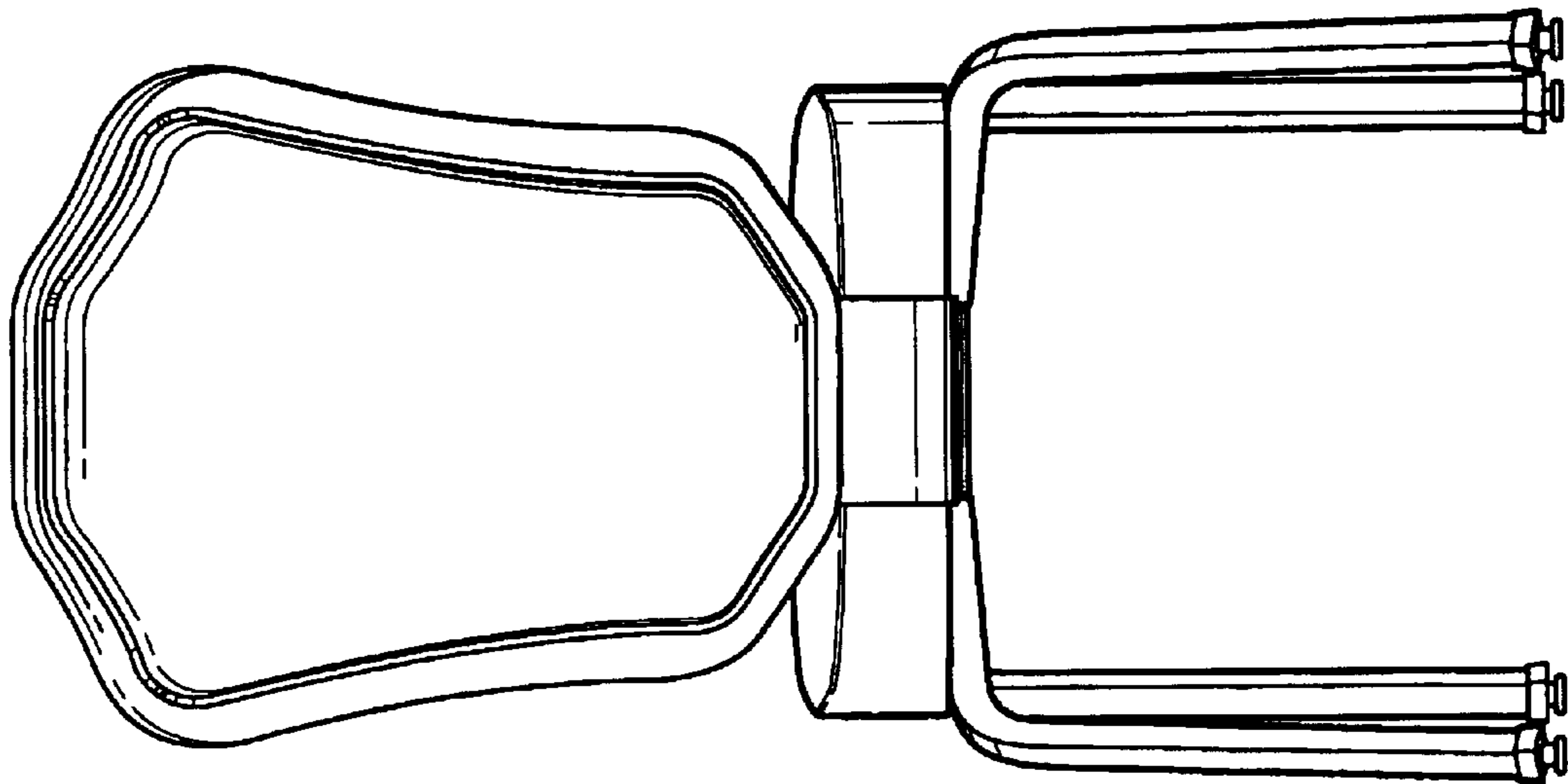
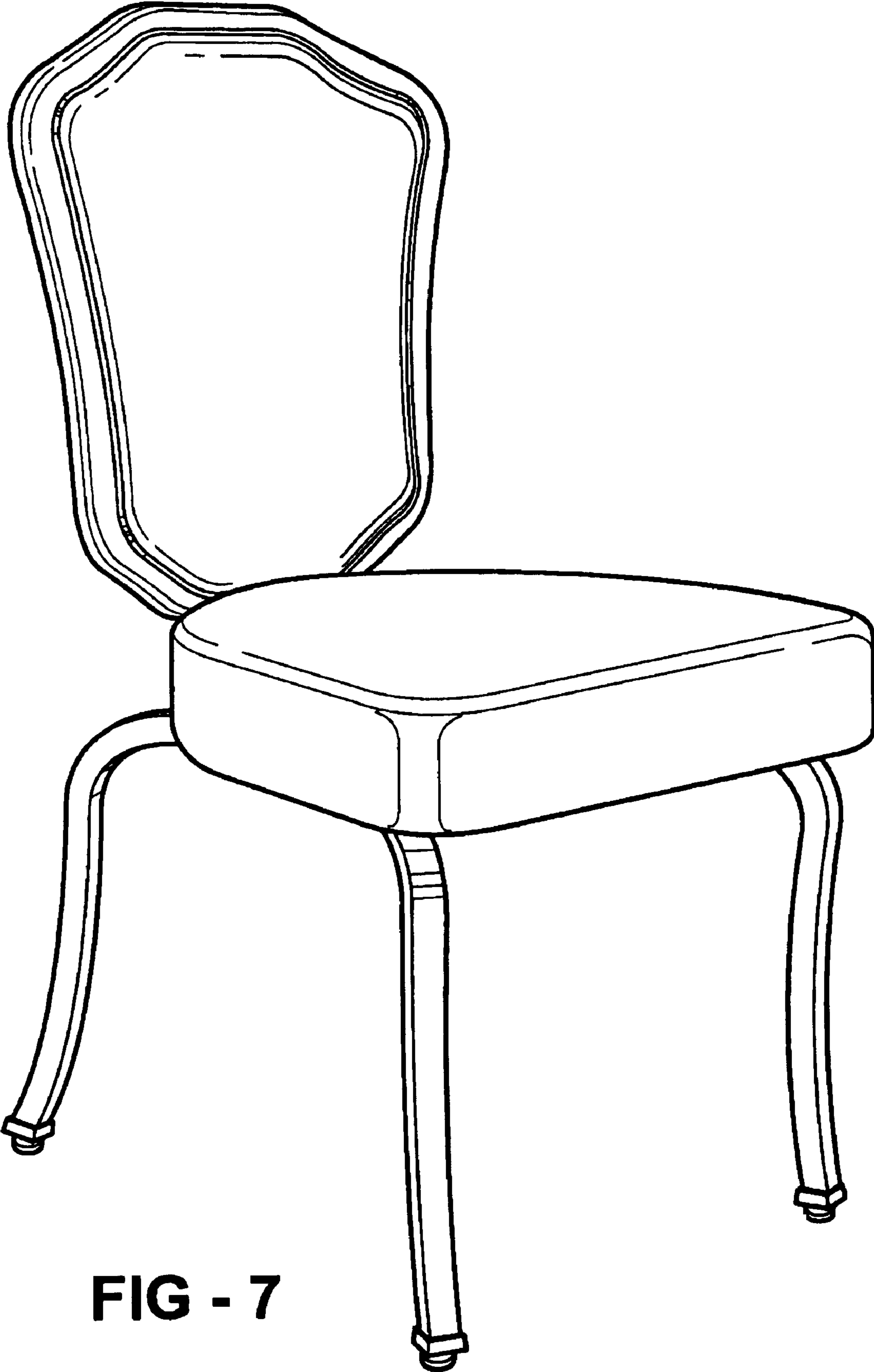


FIG - 4



**FIG - 7**

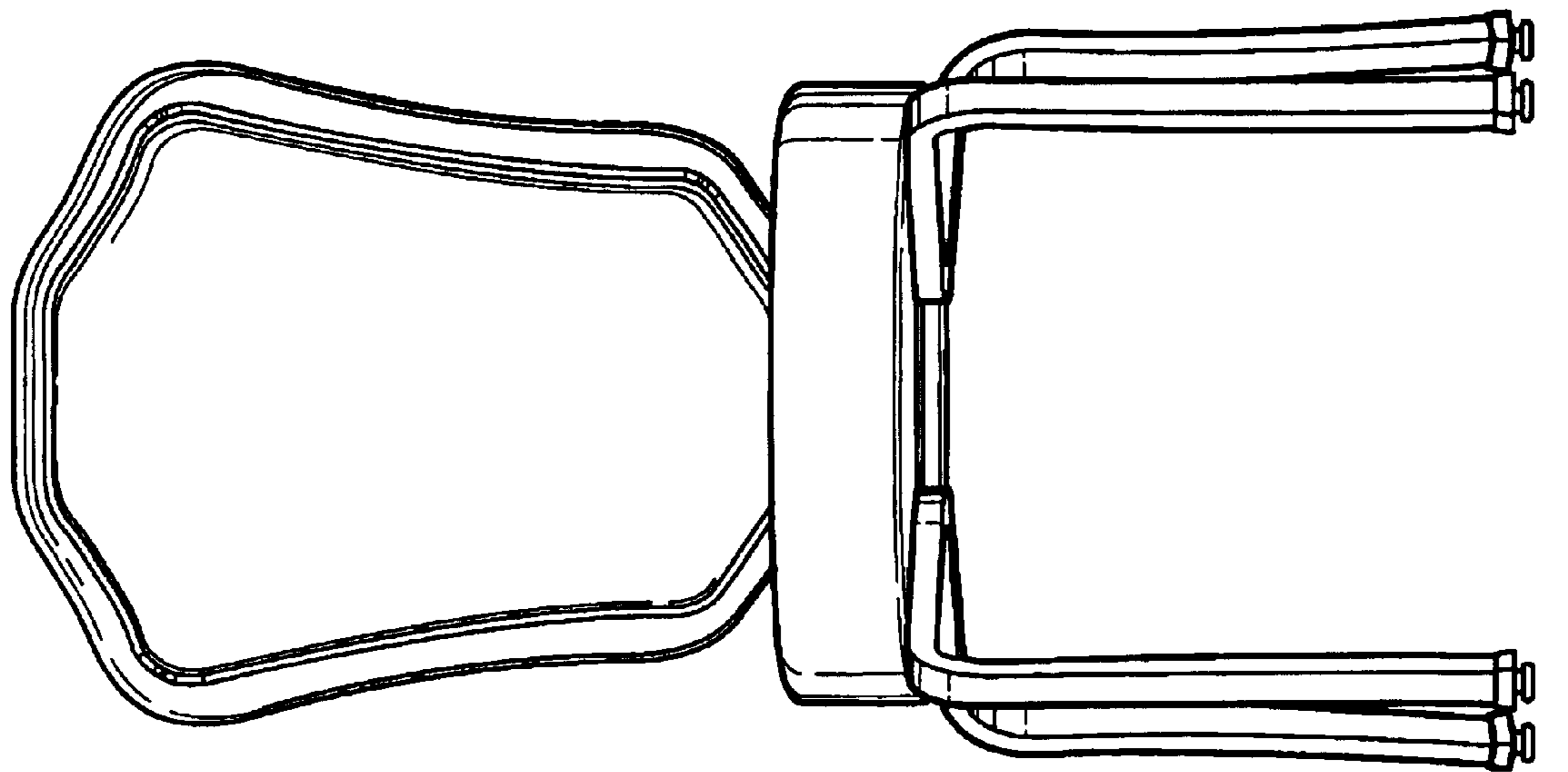


FIG - 8

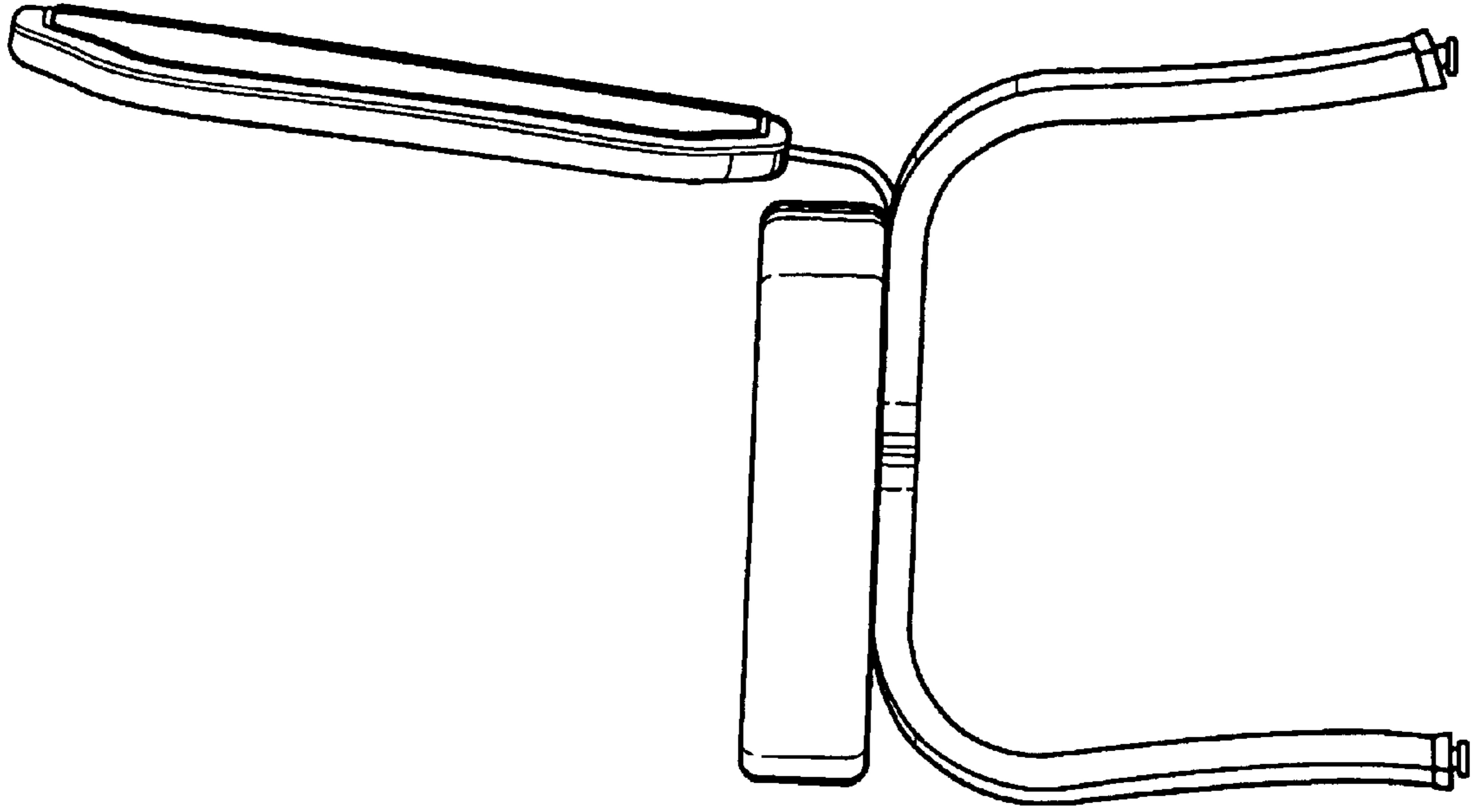


FIG - 9

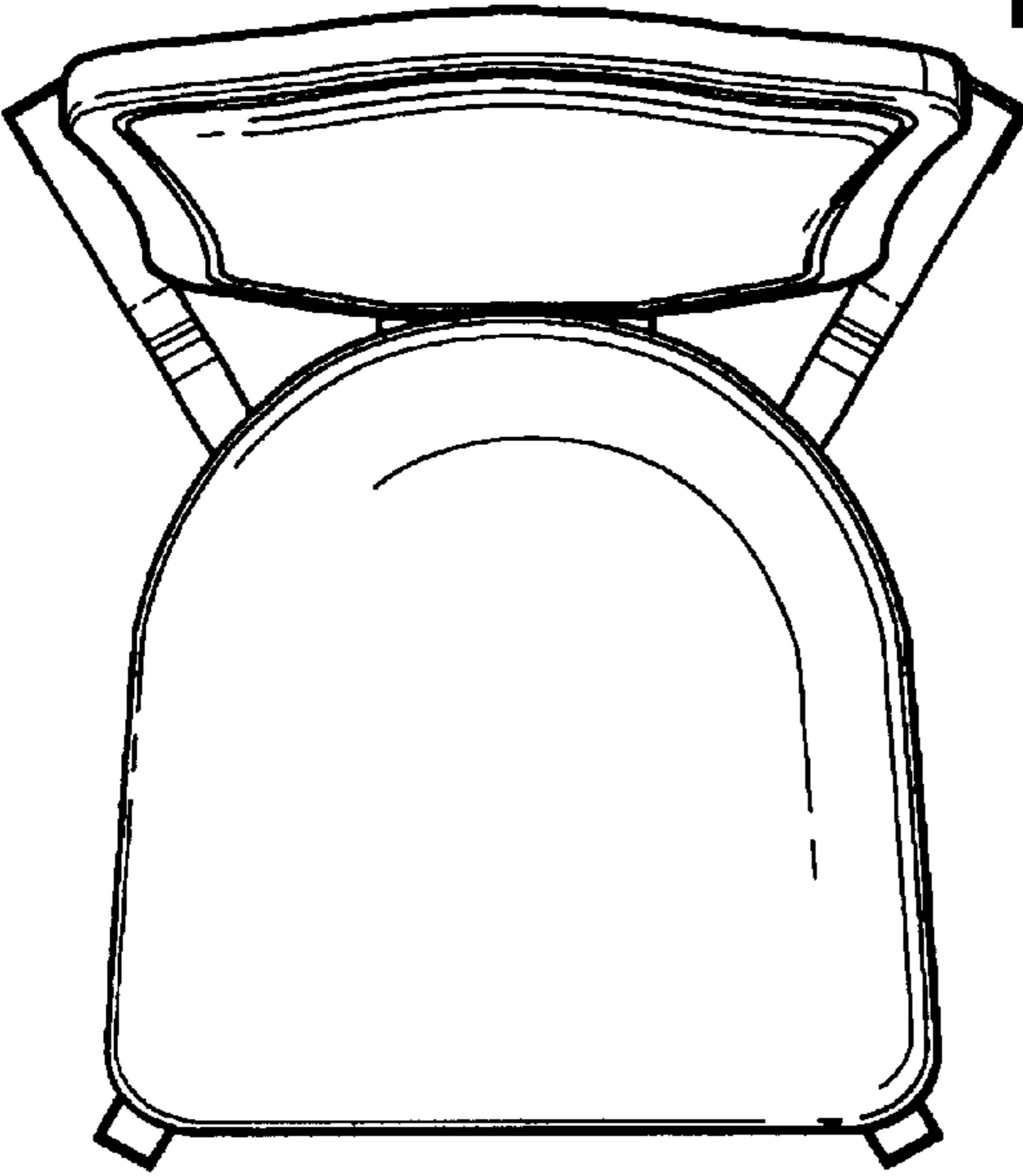


FIG - 11

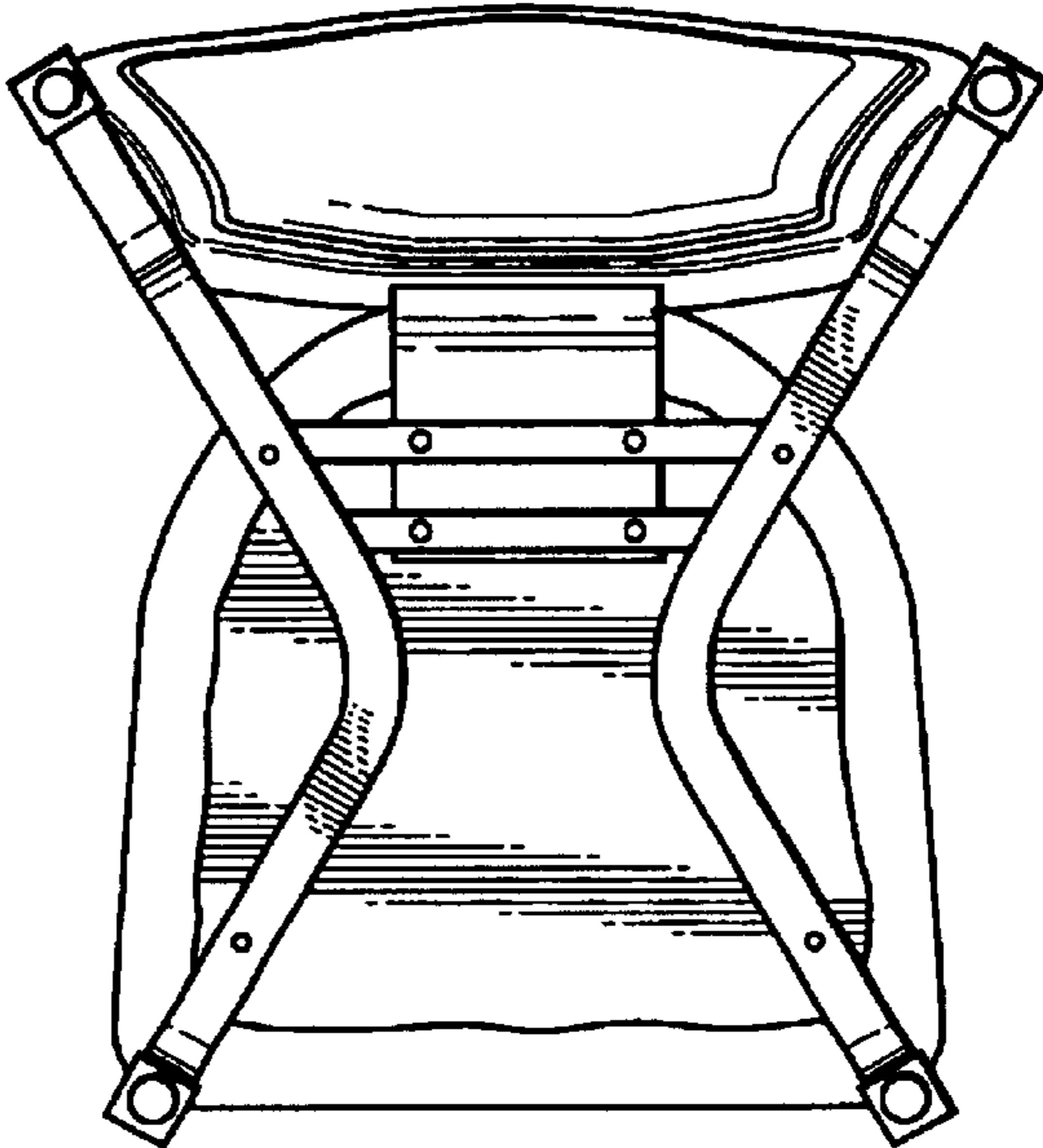


FIG - 12

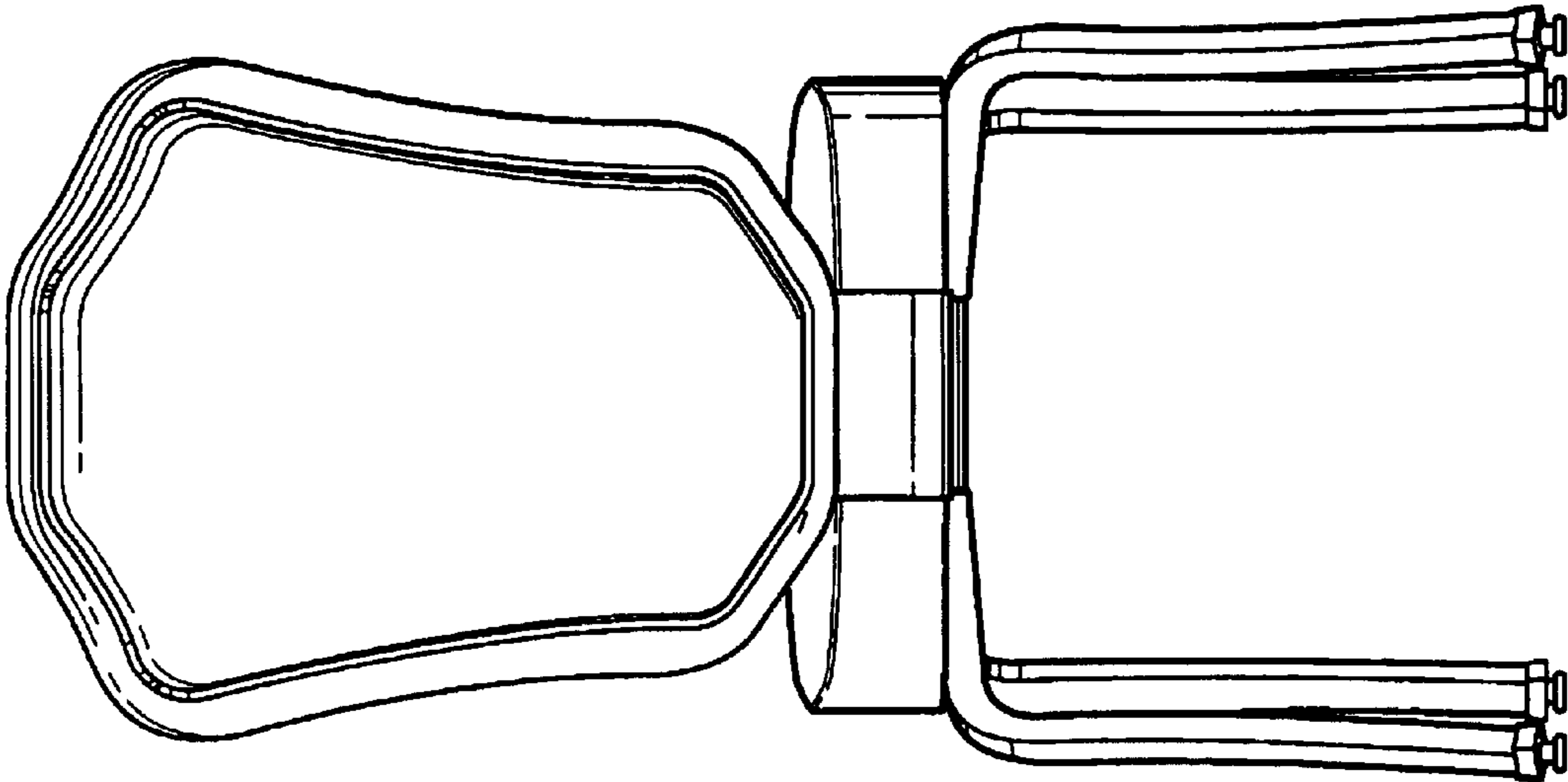


FIG - 10