



US00D521260S

(12) **United States Design Patent**
Westerman

(10) **Patent No.:** **US D521,260 S**
(45) **Date of Patent:** **** May 23, 2006**

(54) **CHAIR**

(75) Inventor: **Roger Westerman**, Brooklyn, NY (US)

(73) Assignee: **Roger Westerman Design LLC**, New York, NY (US)

(**) Term: **14 Years**

(21) Appl. No.: **29/233,580**

(22) Filed: **Jul. 6, 2005**

(51) **LOC (8) Cl.** **06-01**

(52) **U.S. Cl.** **D6/348**

(58) **Field of Classification Search** D6/334–336,
D6/344–348, 371–373, 374–376, 379, 380,
D6/500–502; D21/688, 828, 830; 297/258.1,
297/271.5, 271.6, 272.1, 273, 440.12

See application file for complete search history.

(56) **References Cited**

U.S. PATENT DOCUMENTS

1,230,642 A * 6/1917 Albano 297/271.5
D58,118 S * 6/1921 Townsend D6/348
D98,698 S * 2/1936 Lecal D6/348

(Continued)

OTHER PUBLICATIONS

Collection of pictures and text regarding four chairs: Volpe, Le Corbusier, Sanejounand and Palmio, undated.
Jah Roc Chair—picture and related text, undated.

Primary Examiner—Mimosa De

(74) *Attorney, Agent, or Firm*—Amster, Rothstein & Ebenstein LLP

(57) **CLAIM**

The ornamental design for a chair, as shown and described.

DESCRIPTION

FIG. 1 is an isometric view from the front, top and one side of a first embodiment of a chair showing my new design in an unoccupied or rest orientation;

FIG. 2 is a slightly reduced side elevational view thereof from the one side;

FIG. 3 is a slightly reduced side elevational view thereof from the opposite side;

FIG. 4 is a slightly reduced top plan view thereof;

FIG. 5 is a slightly reduced bottom plan view thereof;

FIG. 6 is a slightly reduced front elevation view thereof

FIG. 7 is a slightly reduced rear elevation view thereof;

FIG. 8 is an isometric view thereof from the front, top and one side of a second embodiment, with the chair in an occupied or use orientation;

FIG. 9 is a slightly enlarged side elevational view thereof with both a cushion and a person occupying the chair being illustrated thereon in phantom line;

FIG. 10 is an isometric view from the front, top and one side of a third embodiment of a chair showing my new design in an unoccupied or rest orientation;

FIG. 11 is a slightly reduced side elevational view thereof;

FIG. 12 is a slightly reduced front elevational view thereof;

FIG. 13 is a slightly reduced top plan view thereof;

FIG. 14 is a slightly reduced bottom plan view thereof;

FIG. 15 is a slightly reduced front elevation view thereof;

FIG. 16 is a slightly reduced rear elevational view thereof;

FIG. 17 is an isometric view thereof from the front, top and one side of a fourth embodiment, with the chair in an occupied or use orientation; and,

FIG. 18 is a slightly enlarged side elevational view thereof with both a cushion and a person occupying the chair being illustrated thereon in phantom line.

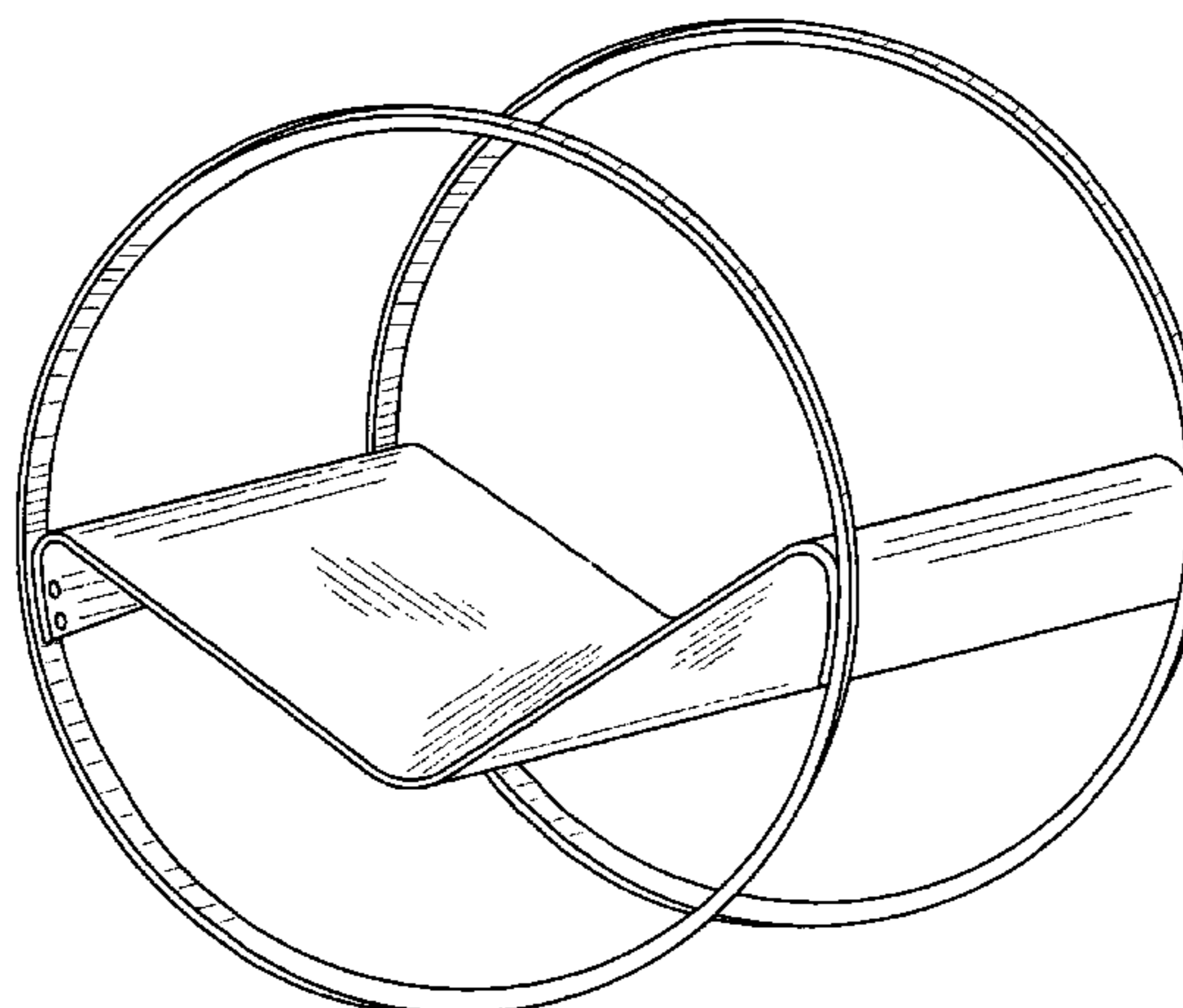
In FIG. 8, the two jagged lines in the center are not a part of the claimed design and represent only the indeterminate width of the claimed design.

In FIG. 9, the cushion indicated in phantom line and the person indicated in phantom line are not a part of the claimed design and represent only an environment of use.

In FIG. 17 the two jagged lines in the center are not a part of the claimed design and represent only the indeterminate width of the claimed design; and,

In FIG. 18 the cushion indicated in phantom line and the person indicated in phantom line are not a part of the claimed design and represent only an environment of use.

1 Claim, 12 Drawing Sheets



US D521,260 S

Page 2

U.S. PATENT DOCUMENTS

D141,550 S	*	6/1945	Edelson	D6/348	D279,050 S	*	6/1985	Tietz	D6/348
3,011,825 A	*	12/1961	Hannas	297/273	D341,949 S	*	12/1993	Dugan	D6/348
3,164,382 A	*	1/1965	Johnson	472/30	D388,621 S	*	1/1998	Reese	D6/348
D248,698 S	*	8/1978	Lecal	D6/348	D428,638 S	*	7/2000	Tucker et al.	D21/830
D272,171 S	*	1/1984	Lankford	D21/828	D460,631 S	*	7/2002	Fick	D6/344

* cited by examiner

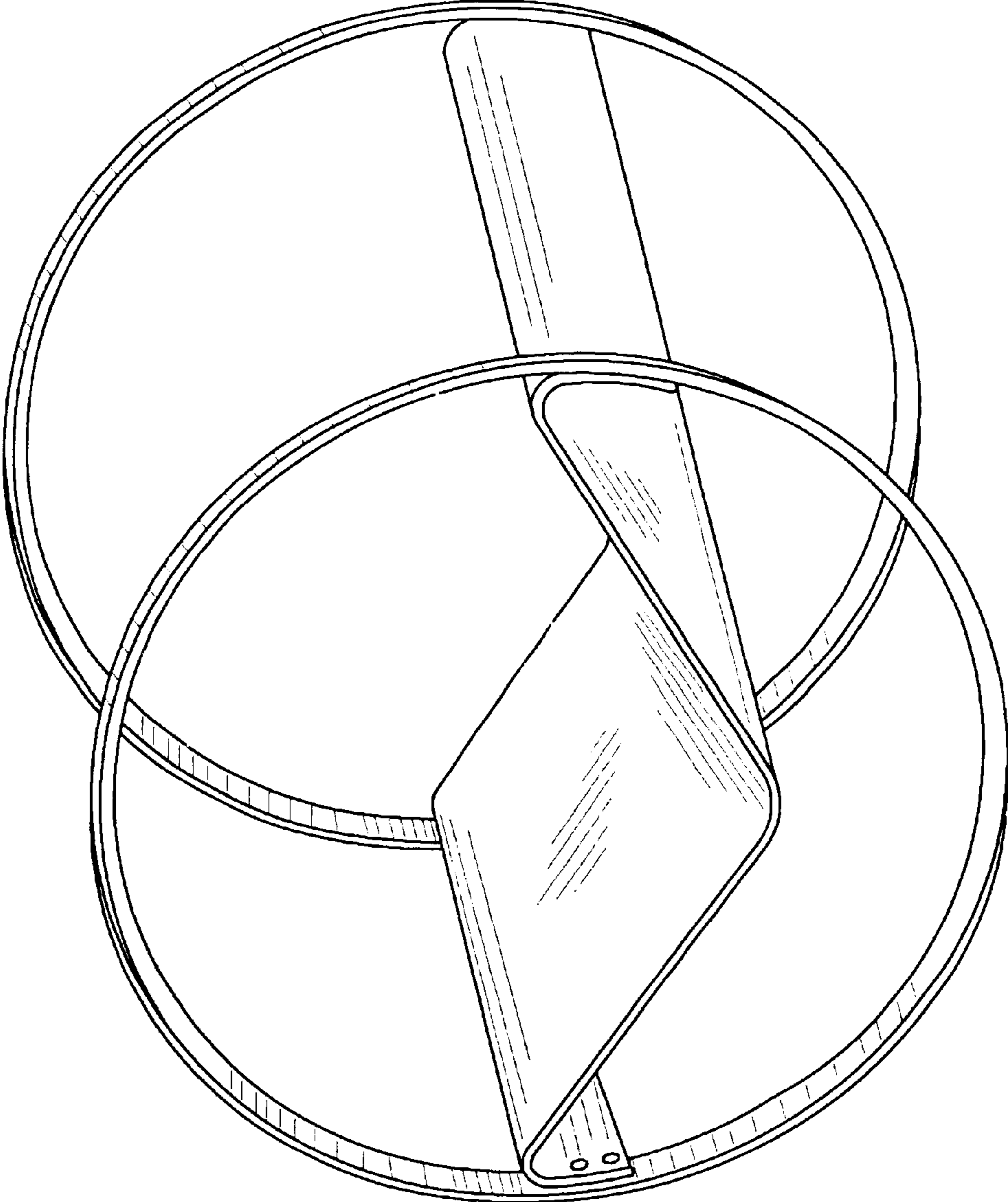


FIG. 1

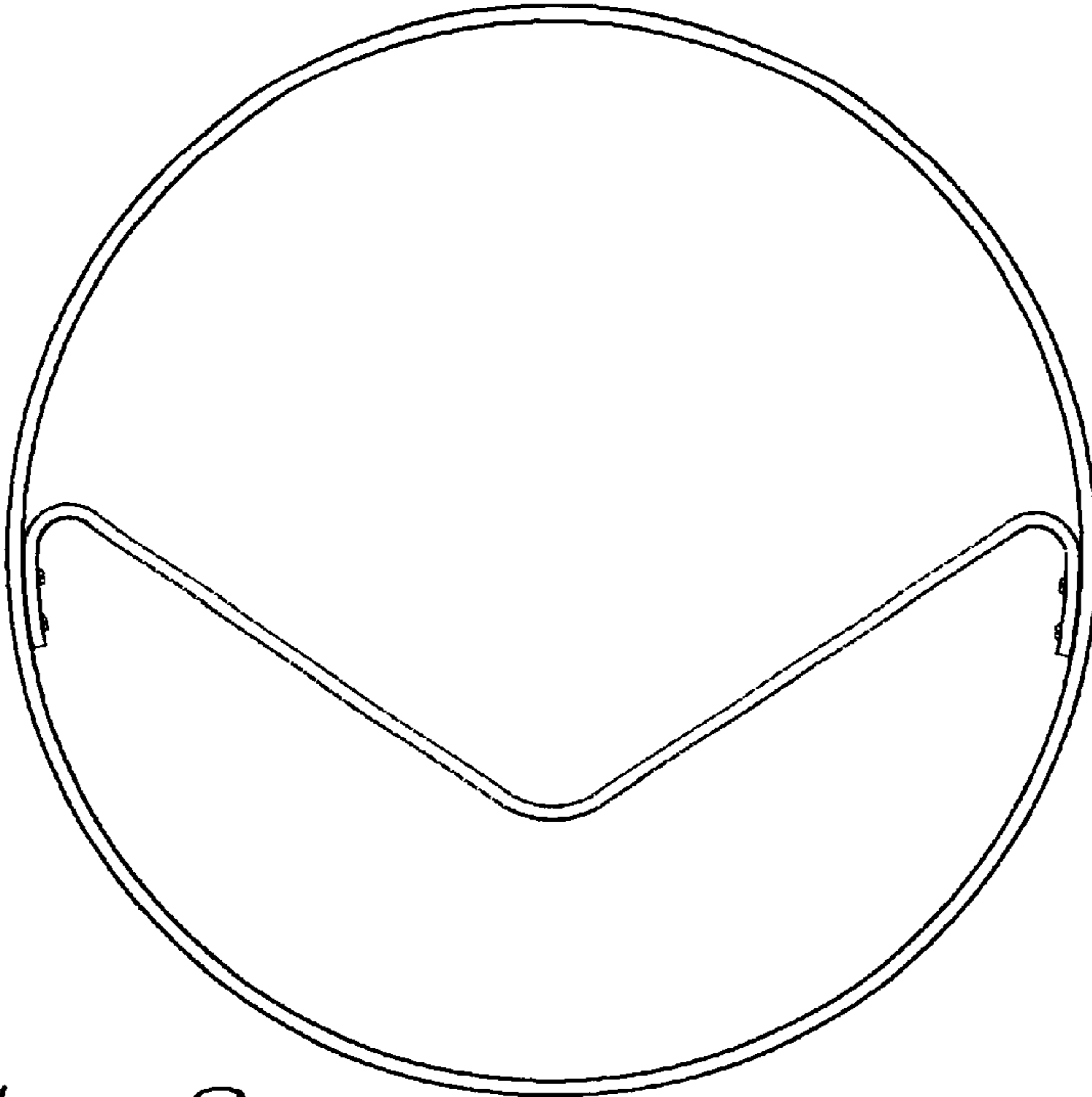


FIG. 2

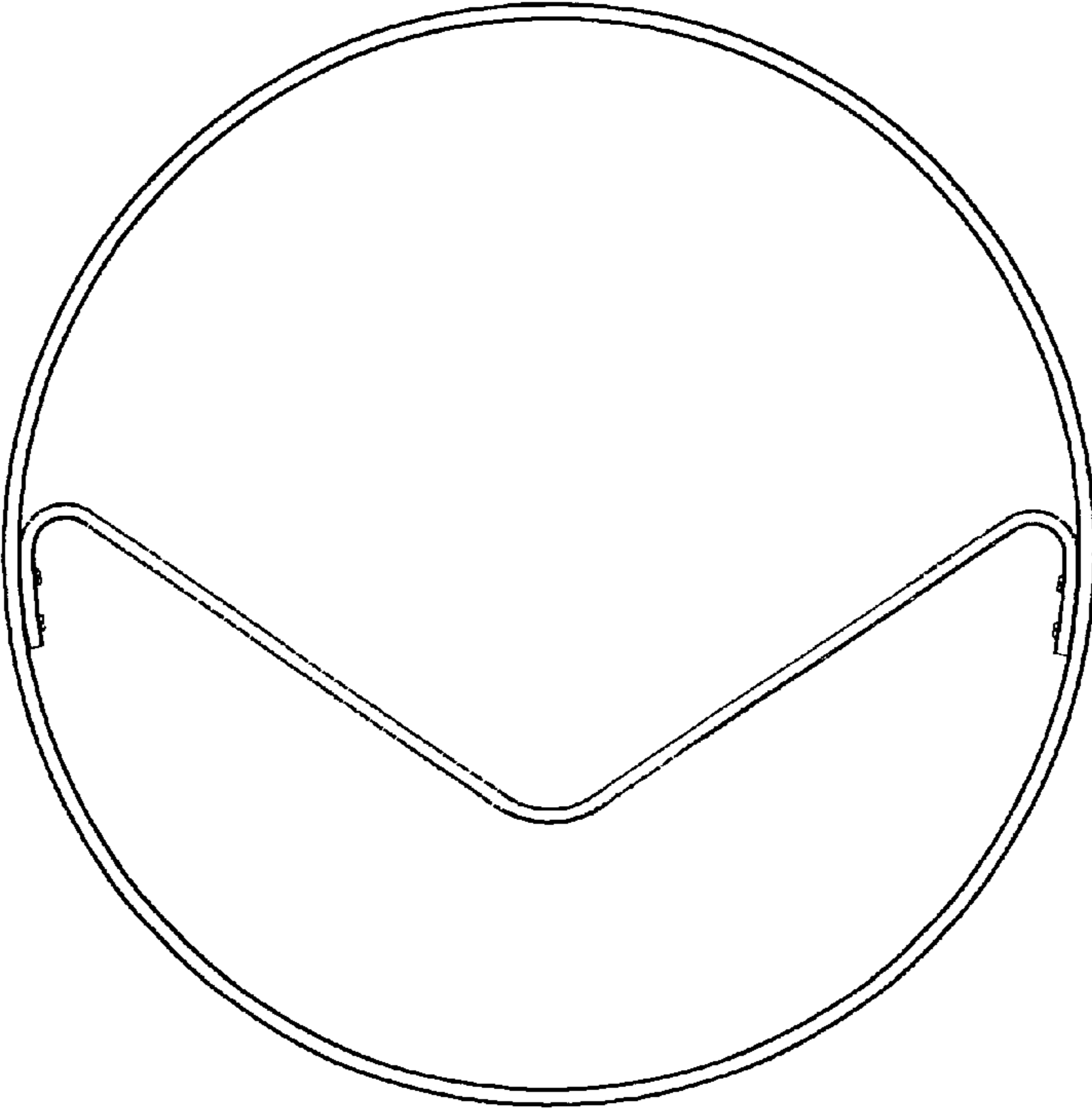


FIG. 3

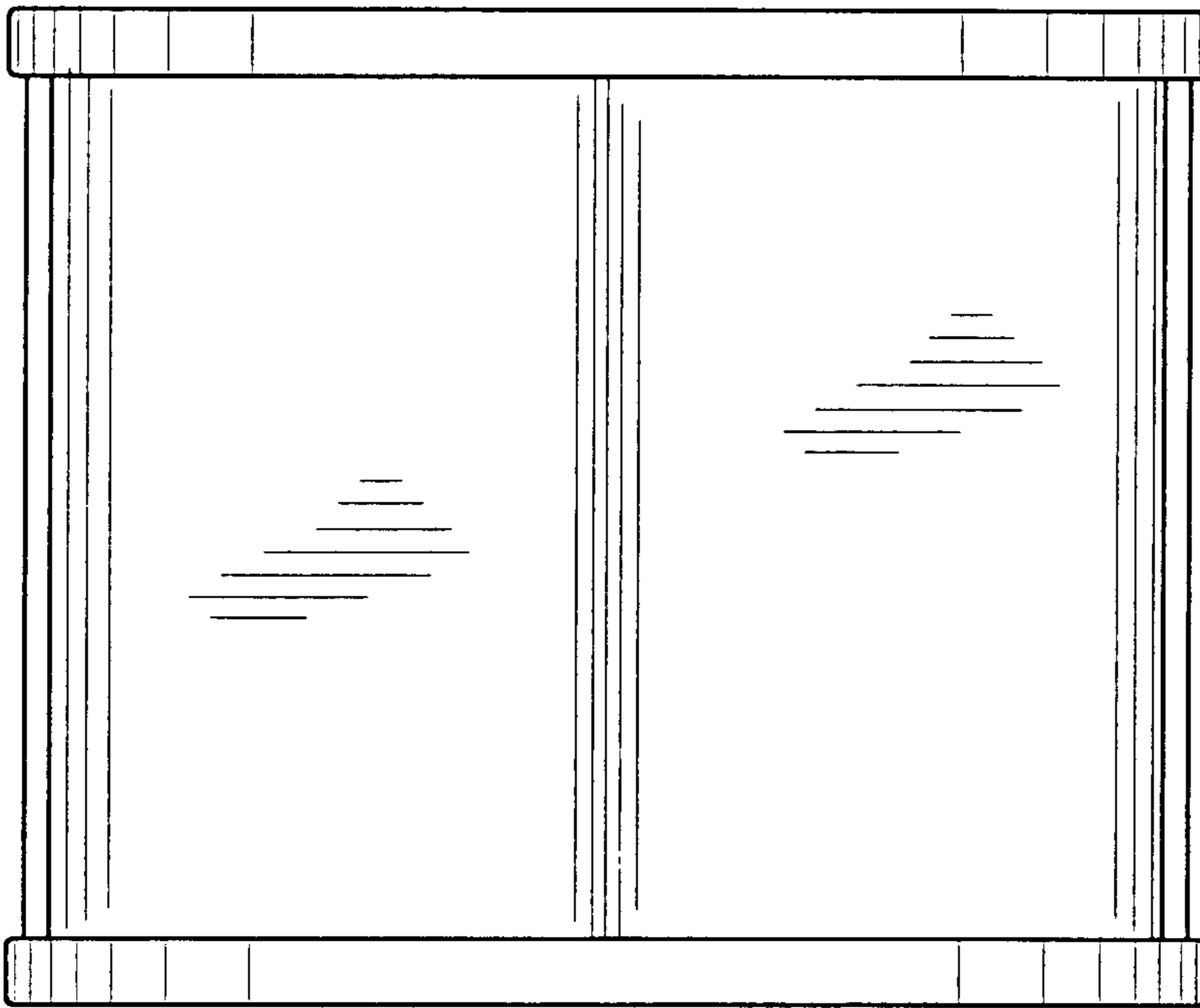


FIG. 5

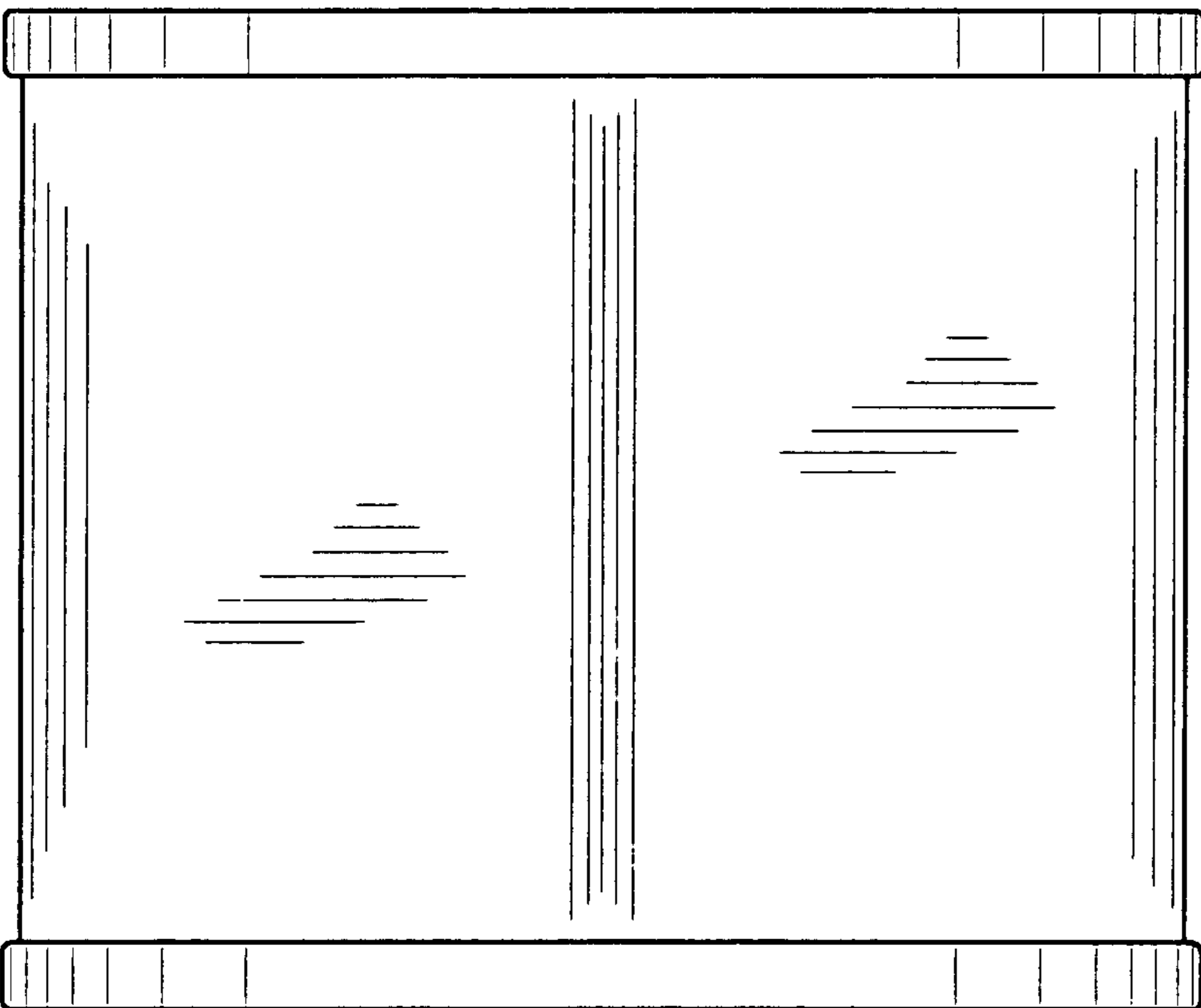


FIG. 4

FIG. 6

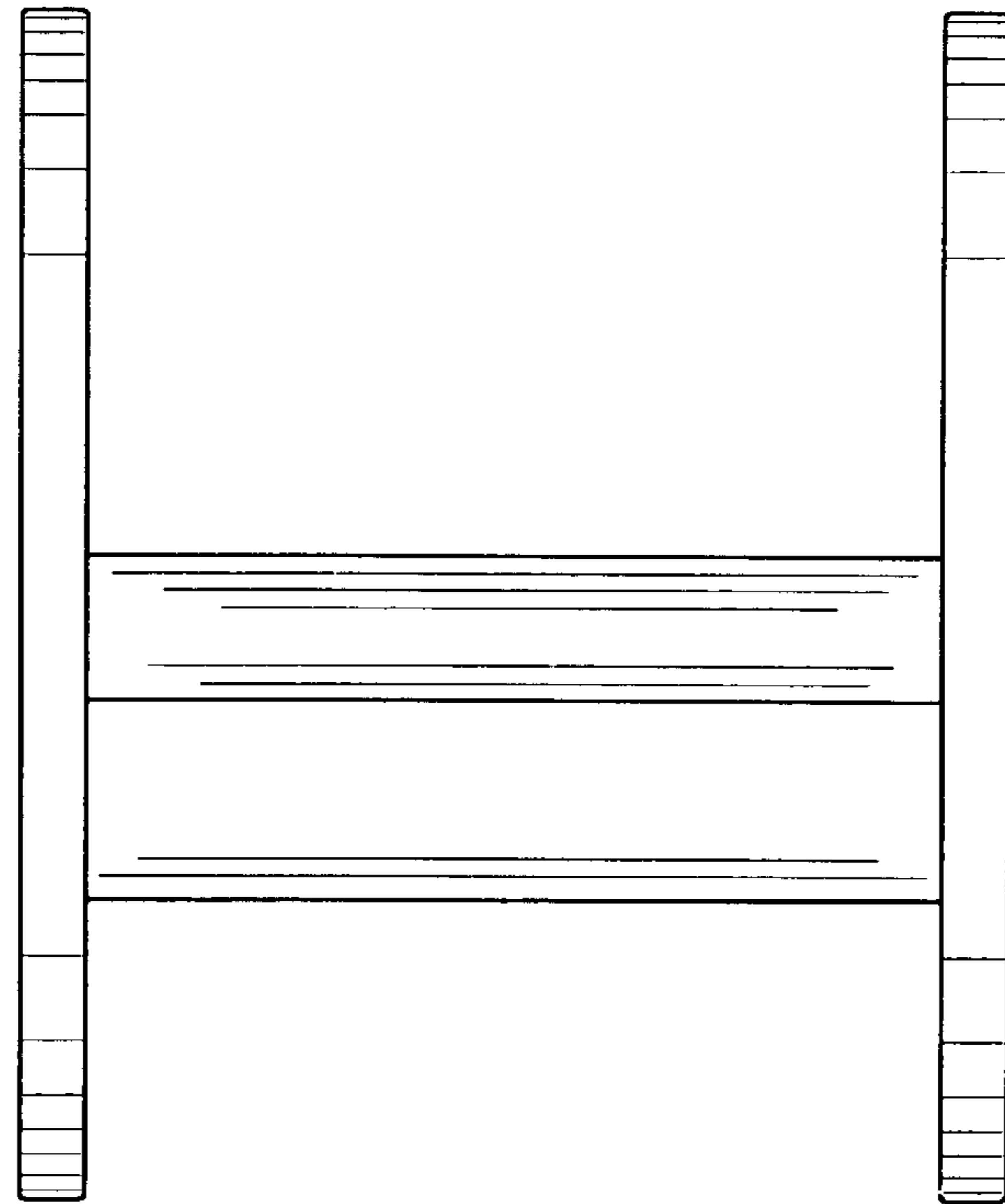


FIG. 7

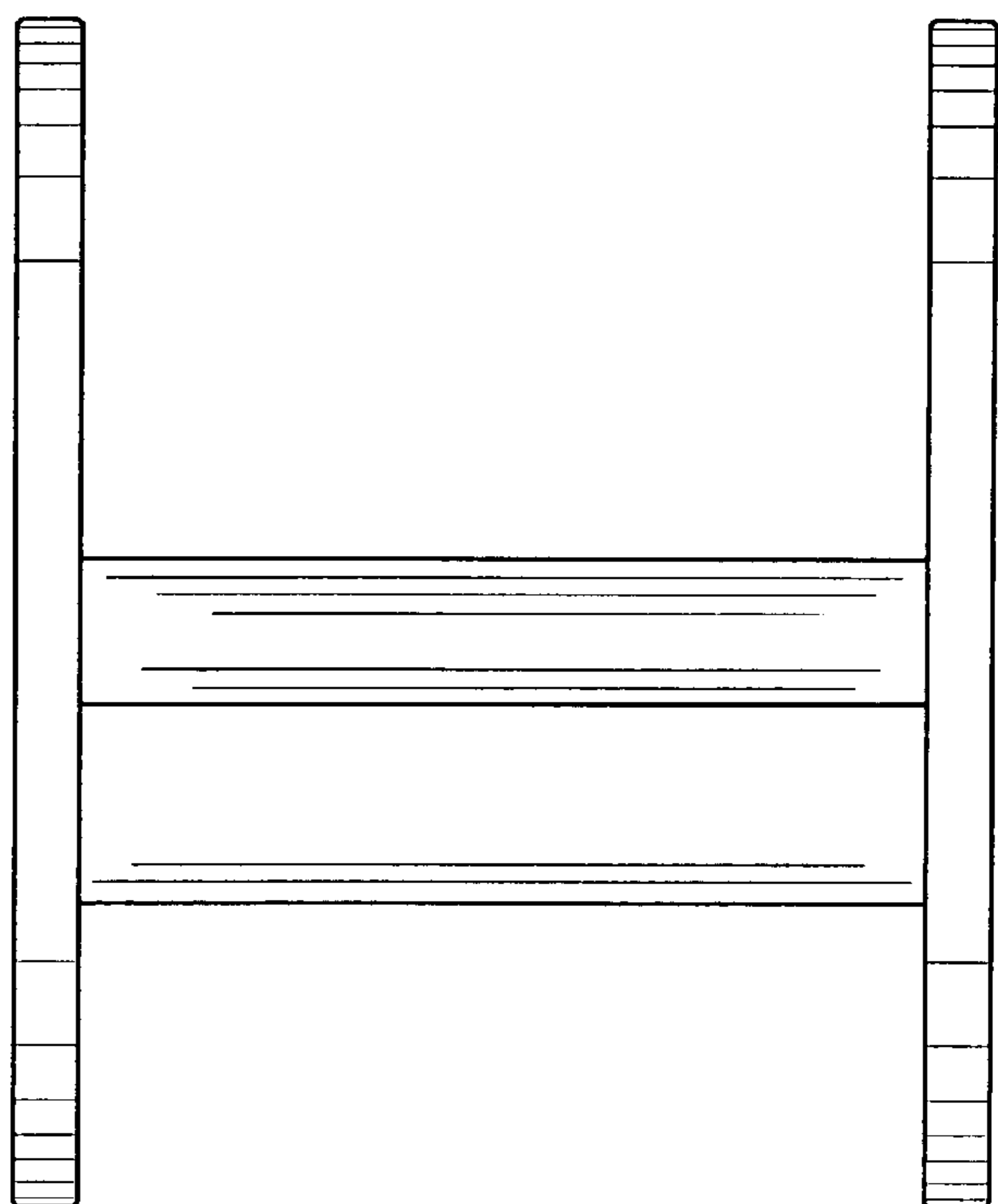
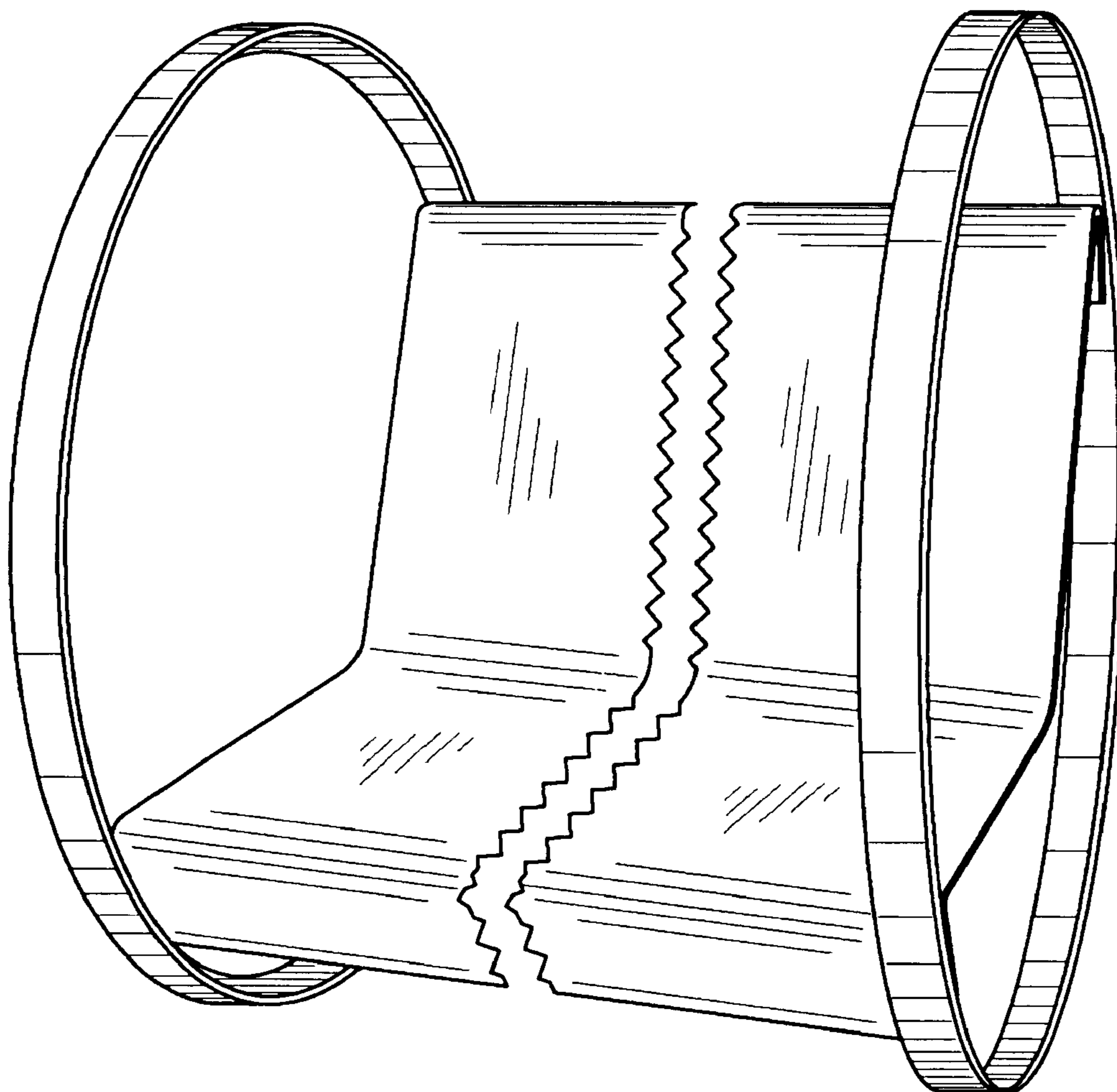


FIG. 8



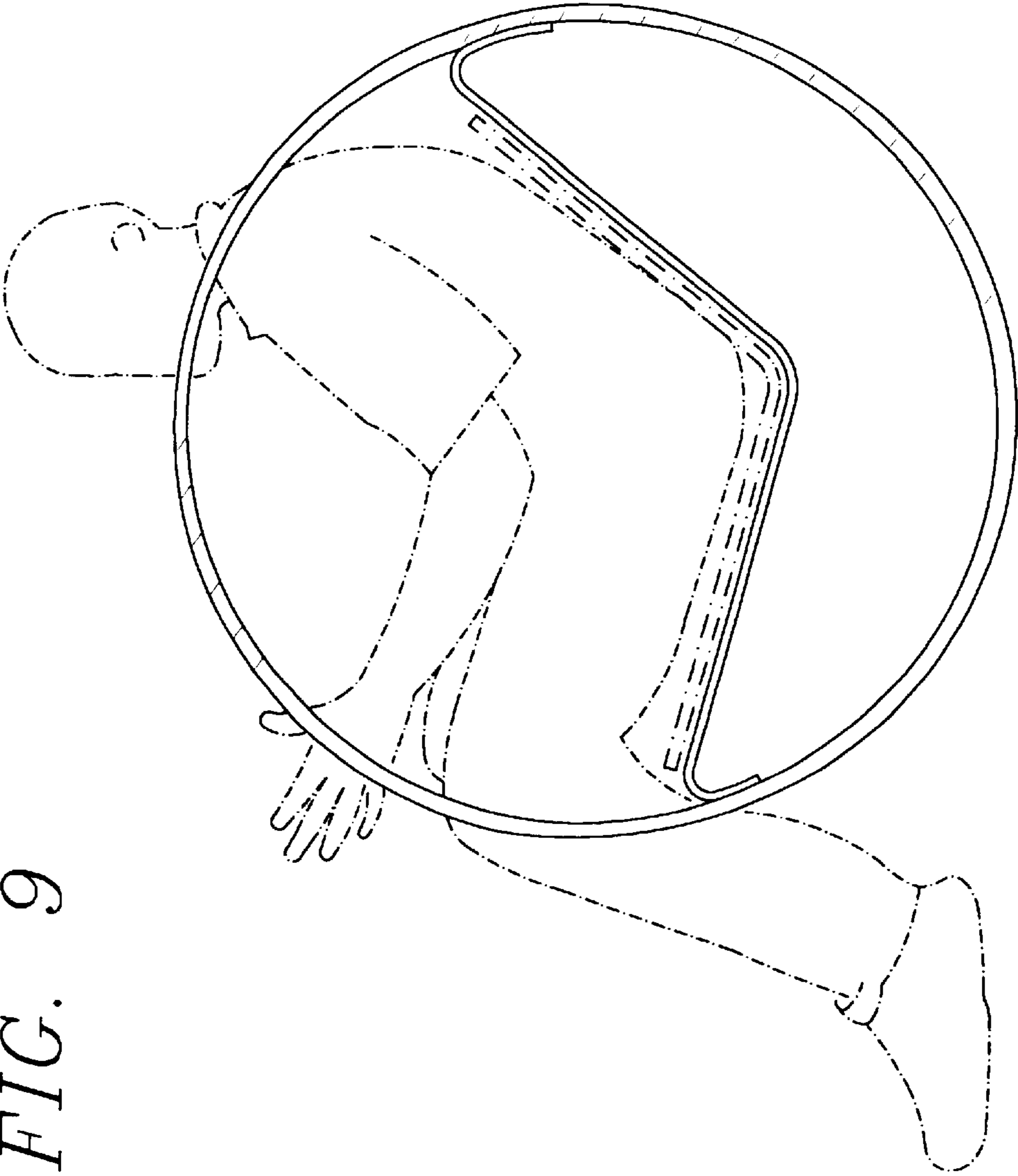


FIG. 9

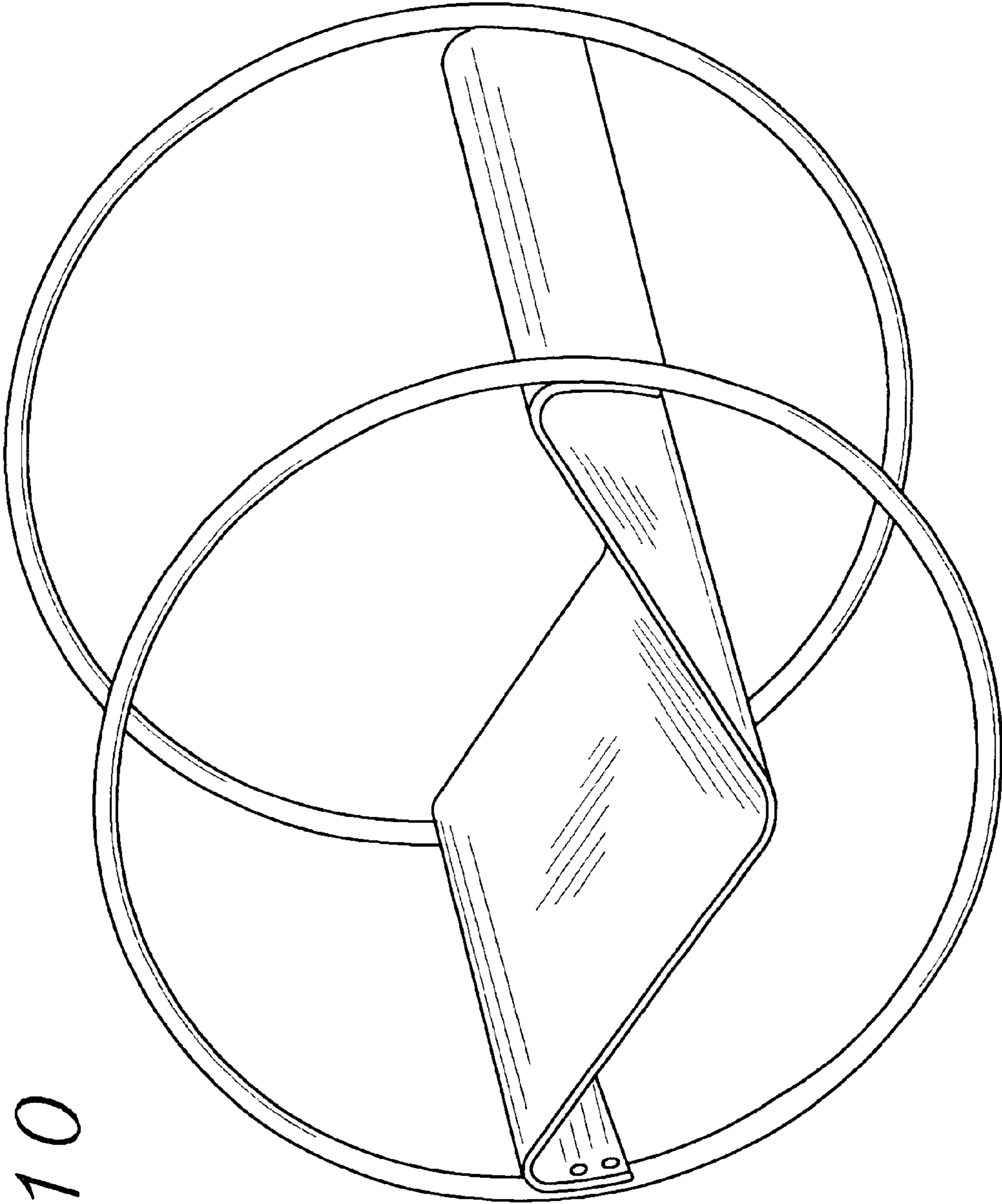


FIG. 10

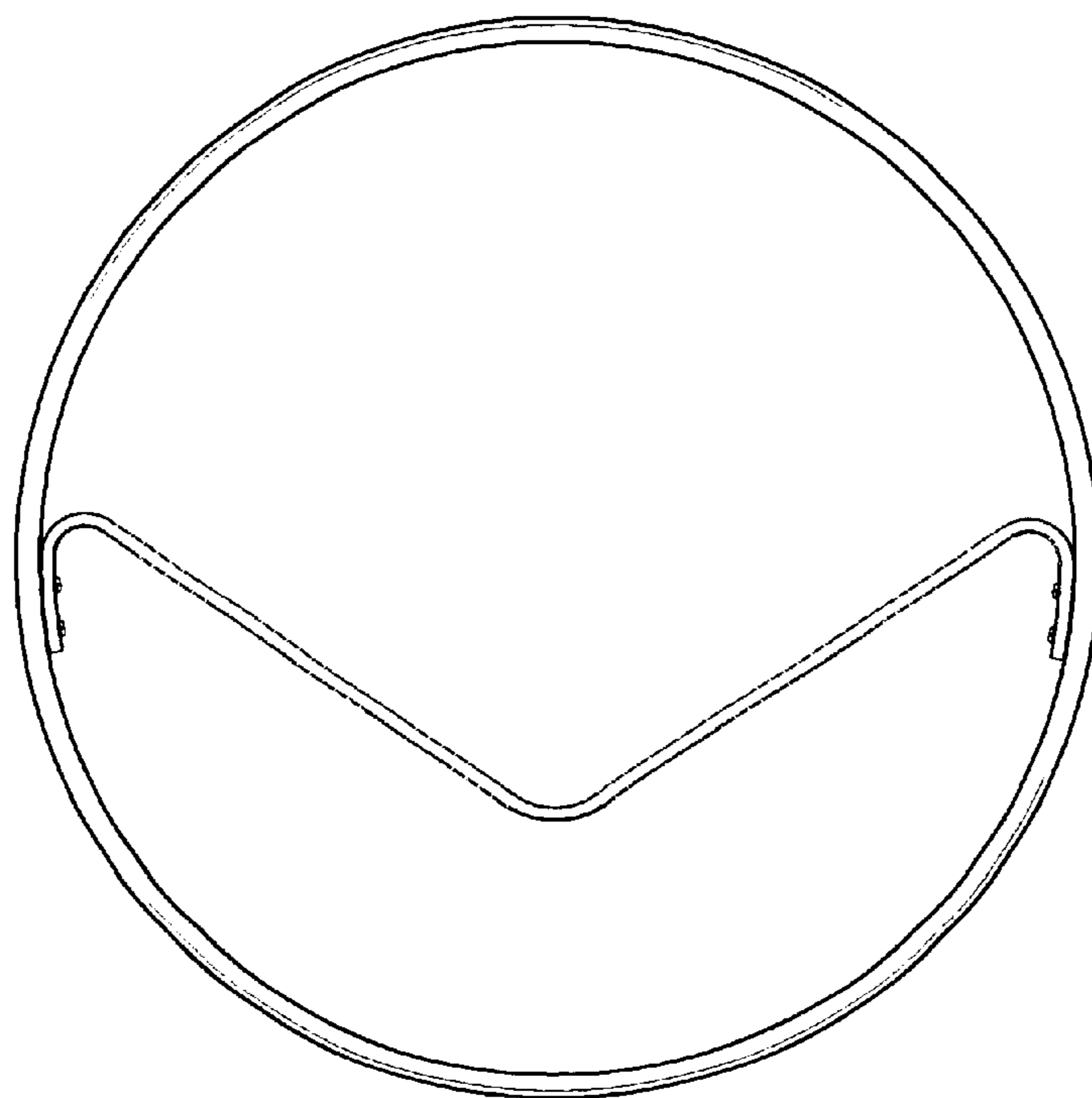


FIG. 11

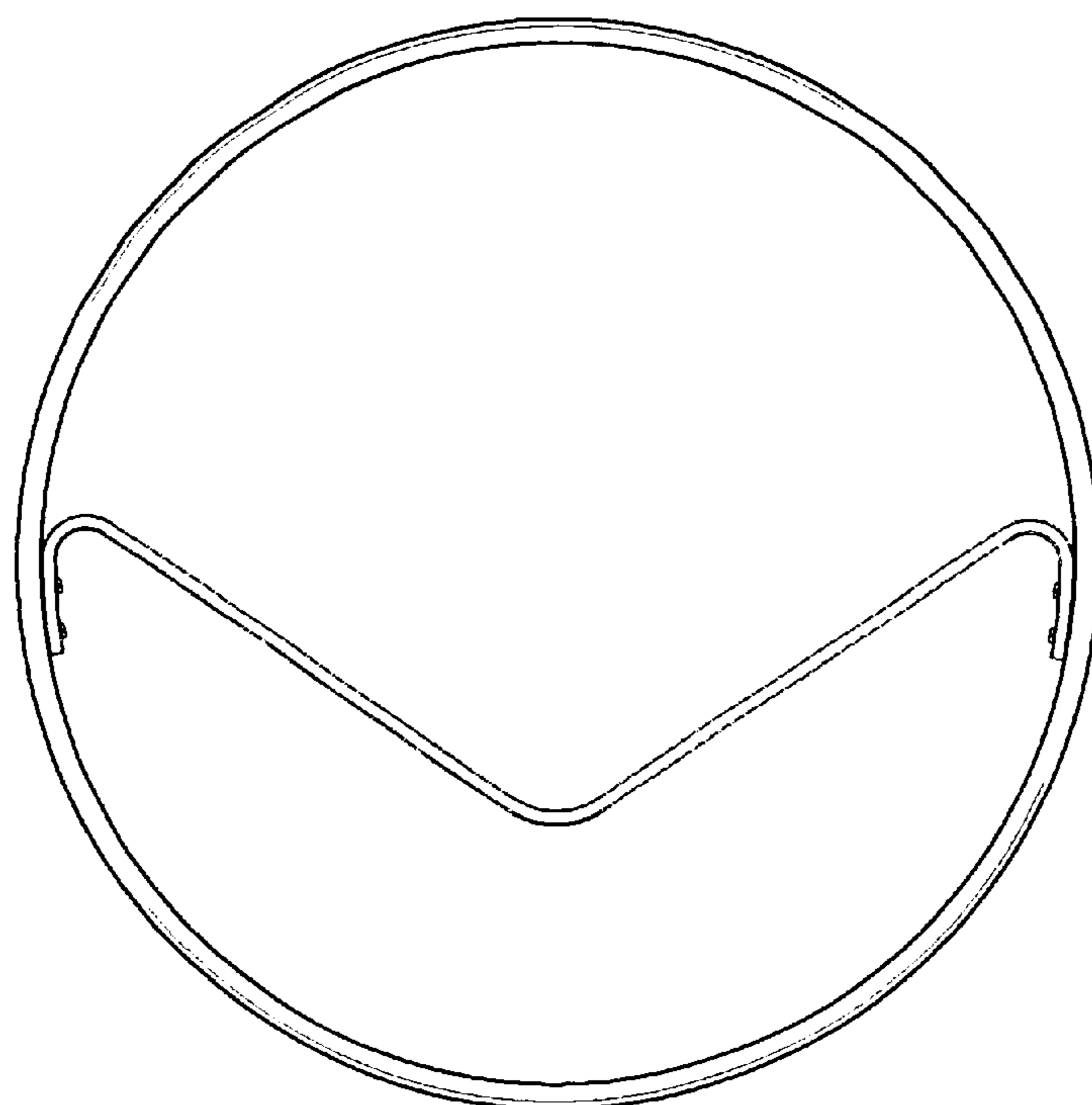


FIG. 12

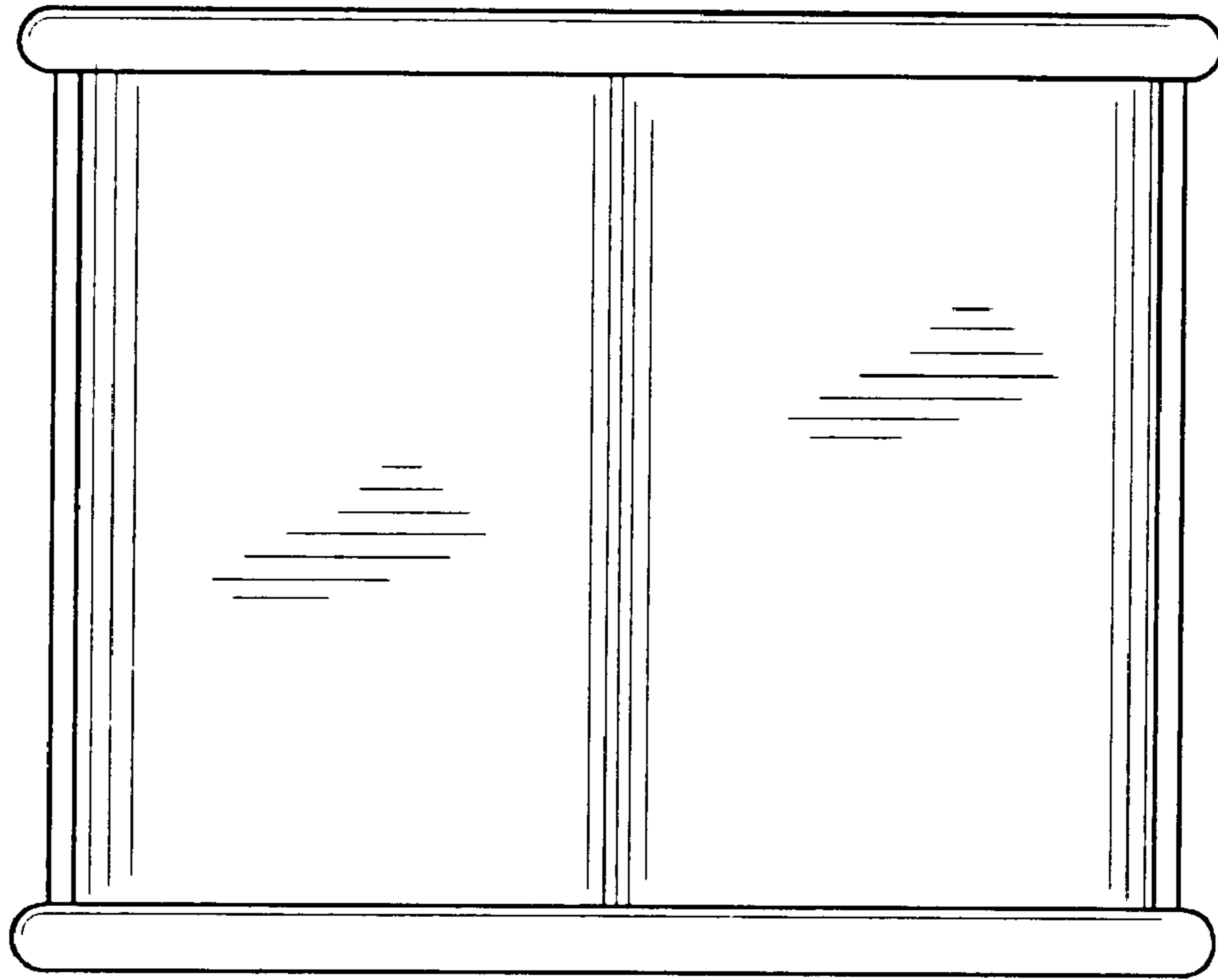


FIG. 14

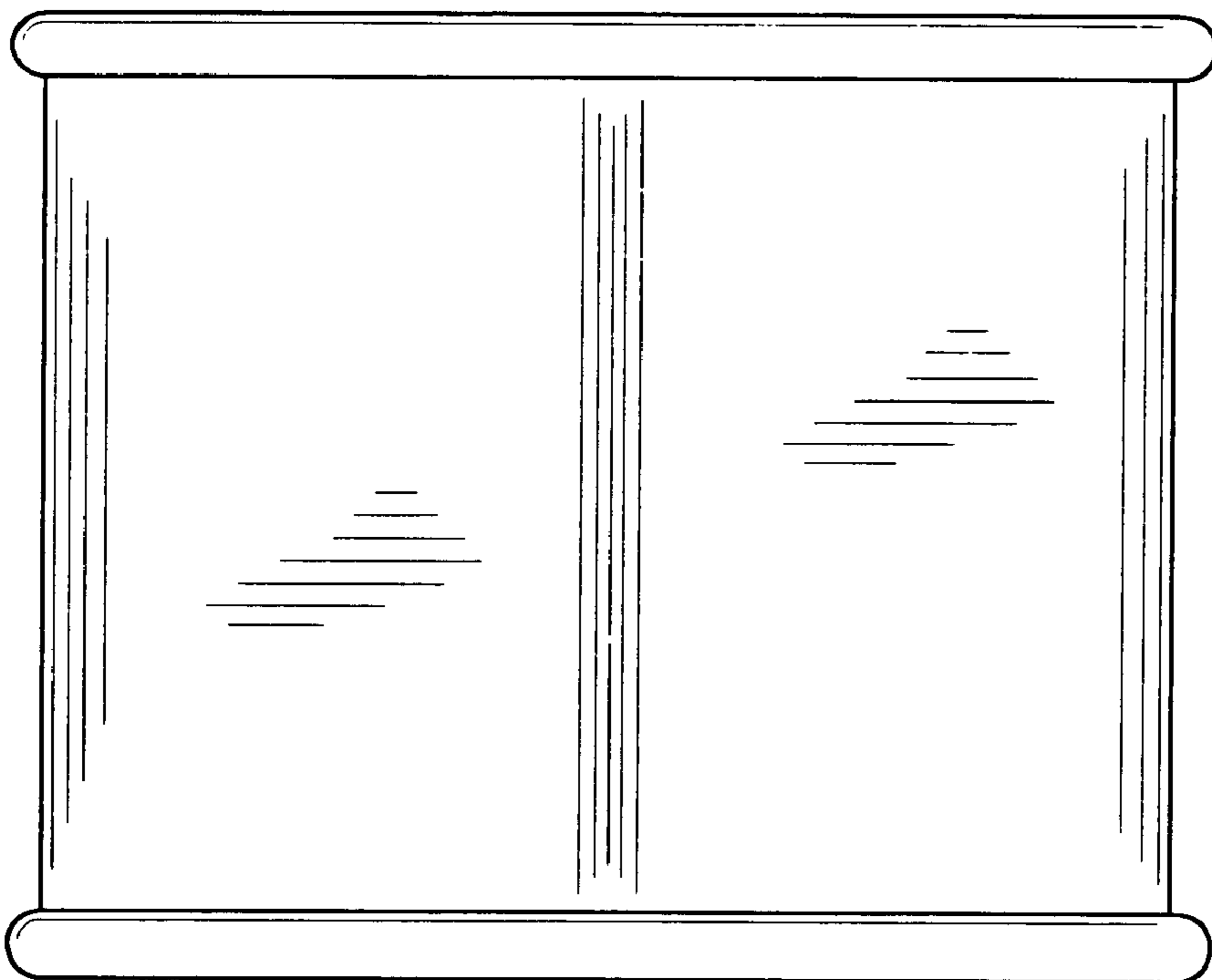


FIG. 13

FIG. 15

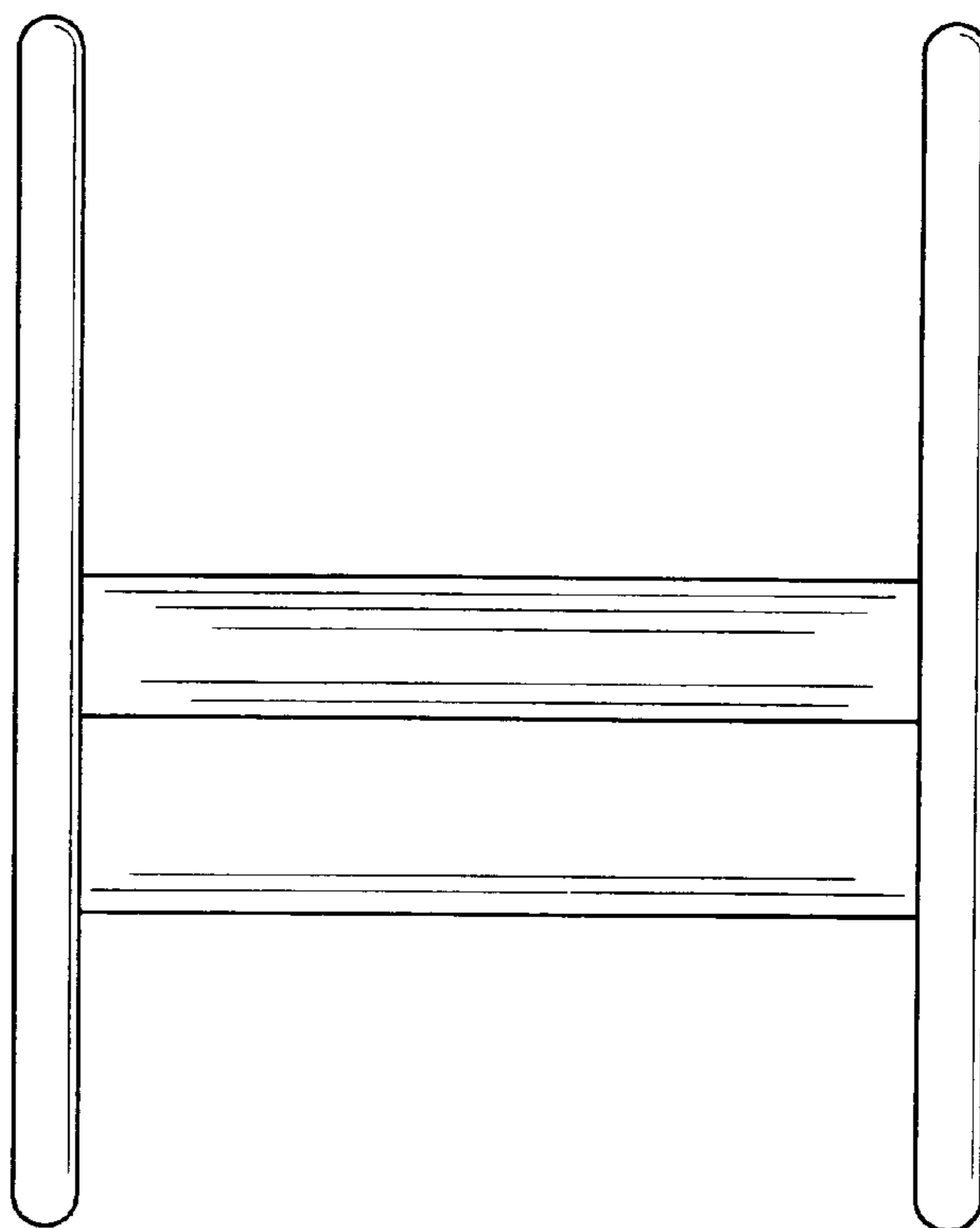


FIG. 16

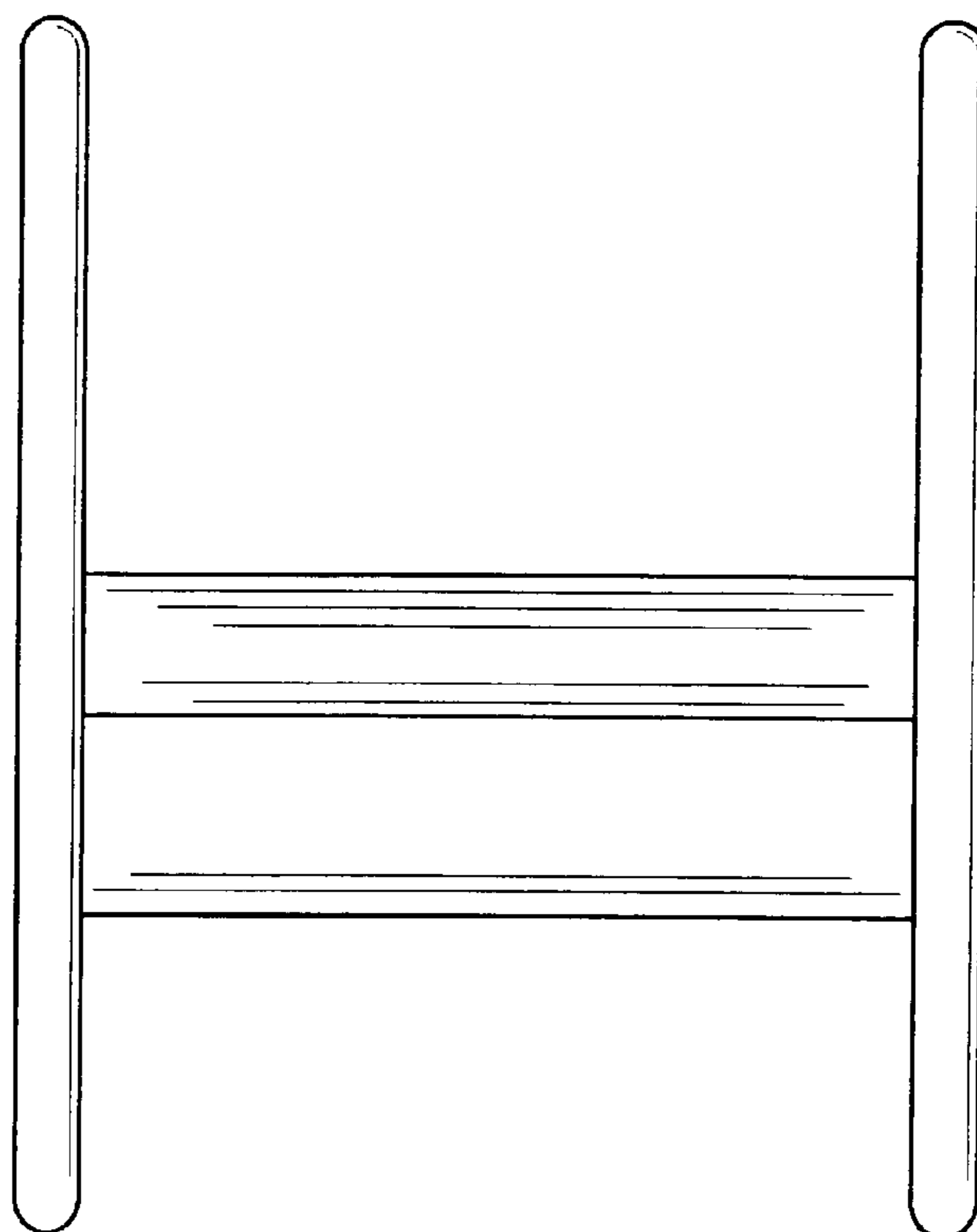


FIG. 17

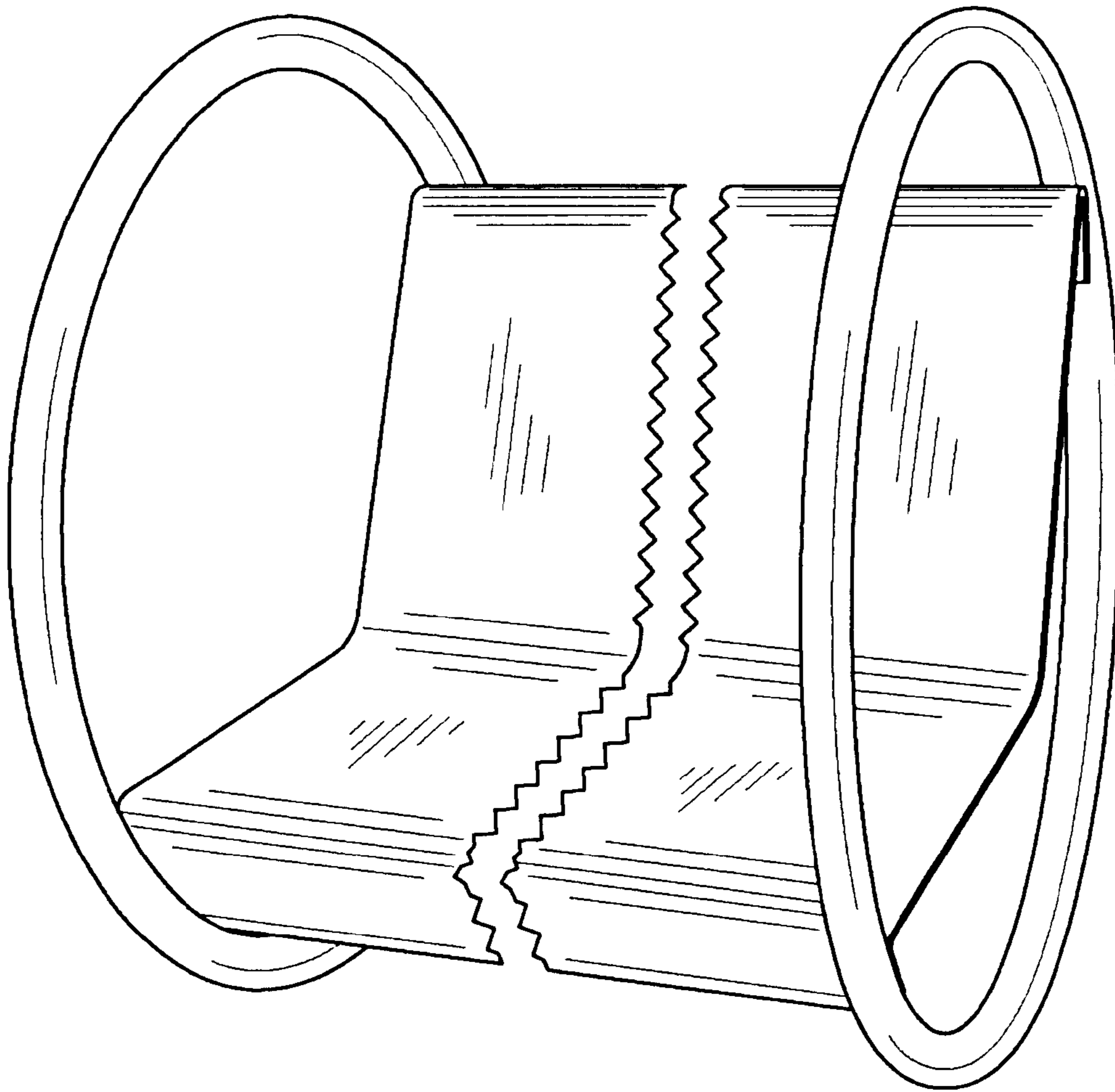


FIG. 18

