

US00D521252S

(12) **United States Design Patent**
Hou

(10) **Patent No.:** **US D521,252 S**

(45) **Date of Patent:** **** May 23, 2006**

(54) **YARN**

(75) **Inventor:** **Chuan Kuei Hou, Chung Ho (TW)**

(73) **Assignee:** **Sun Isle USA, LLC, Boca Raton, FL (US)**

(**) **Term:** **14 Years**

(21) **Appl. No.:** **29/218,209**

(22) **Filed:** **Nov. 30, 2004**

(51) **LOC (8) Cl.** **05-99**

(52) **U.S. Cl.** **D5/99**

(58) **Field of Classification Search** D5/1-3,
D5/5, 7-8, 11, 13-16, 19-20, 23-28, 30,
D5/32, 35-37, 39, 43, 45, 47, 49-50, 52-66,
D5/99; D2/749, 994; D6/582-583, 595-596,
D6/598, 608, 603-606, 613, 616, 617, 619,
D6/622; 428/17-18, 151, 154, 156, 171,
428/187, 198, 199, 540, 542.2, 542.6, 919,
428/904.4; D24/124, 125; D25/142, 152;
442/181; 5/413 AM, 709; 162/134, 140,
162/231; 156/148, 209; D7/396.4-5

See application file for complete search history.

(56) **References Cited**

U.S. PATENT DOCUMENTS

D13,544 S	*	1/1883	Remington	D5/7
D13,545 S	*	1/1883	Remington	D5/7
366,743 A	*	7/1887	Siegenthaler	D6/606
D18,589 S	*	9/1888	Schuck	D5/7
D29,914 S	*	12/1898	Merrick	D5/7
D30,126 S	*	1/1899	Boomer	D5/7
679,978 A	*	8/1901	Merrick	D5/7

D93,567 S	*	10/1934	Moore	D5/7
D151,042 S	*	9/1948	Harrison	D5/7
5,704,690 A	*	1/1998	Schwartz	428/17
D395,171 S	*	6/1998	Schwartz	D5/99
5,845,970 A	*	12/1998	Schwartz	428/17
D409,001 S	*	5/1999	Schwartz	D5/99
6,179,382 B1	*	1/2001	Schwartz	297/239
D474,614 S	*	5/2003	Schwartz	D5/99
6,855,420 B1	*	2/2005	Johnson et al.	442/181

* cited by examiner

Primary Examiner—Gary D. Watson

Assistant Examiner—T. Chase Nelson

(74) *Attorney, Agent, or Firm*—Lerner, David, Littenberg, Krumholz & Mentlik, LLP

(57) **CLAIM**

The ornamental design for a yarn, as shown and described.

DESCRIPTION

FIG. 1 is a perspective view of a yarn showing my new design;

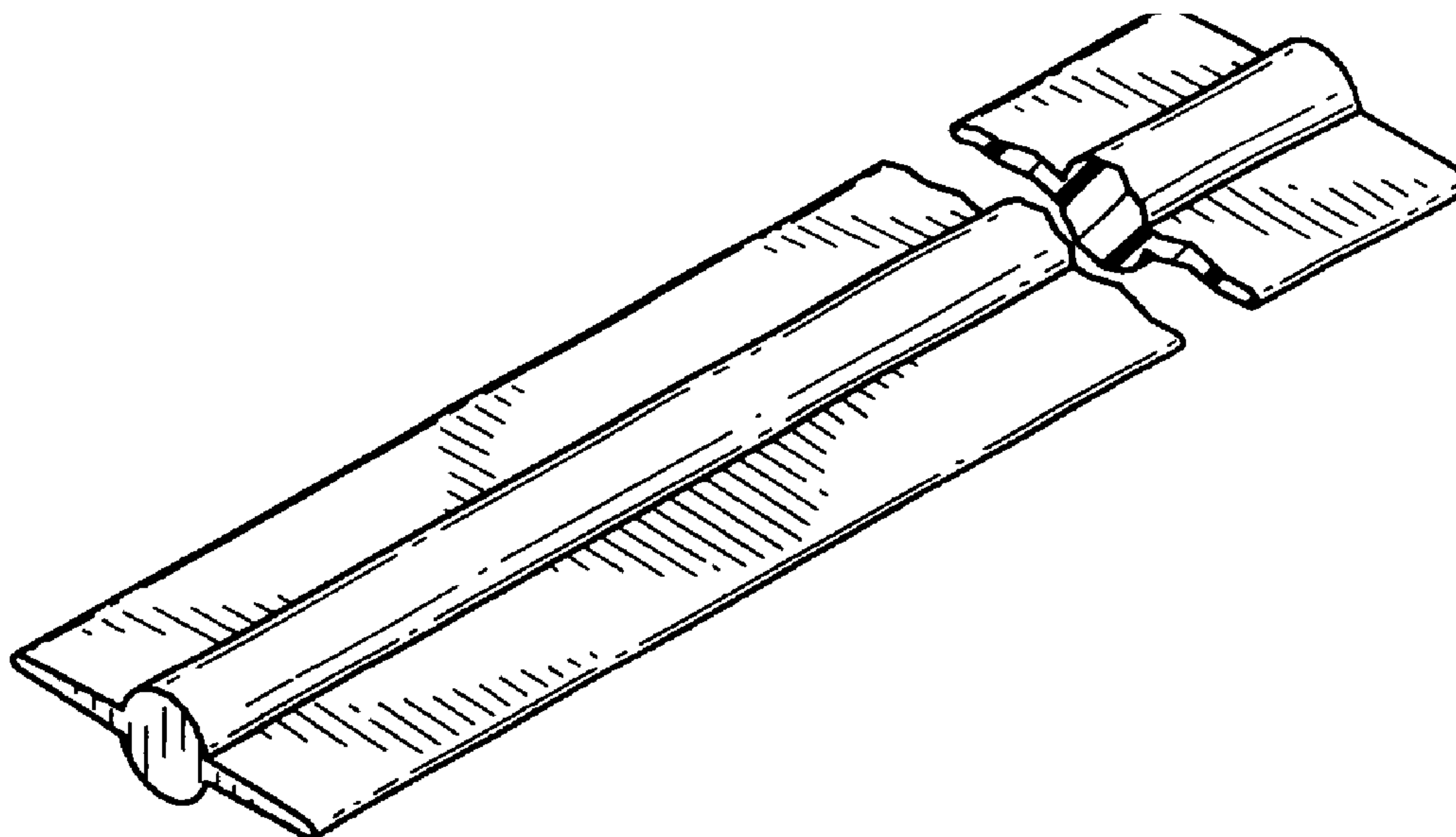
FIG. 2 is a right side elevational view, the left side elevational view being a mirror image thereof;

FIG. 3 is a front elevational view, the rear elevational view being a mirror image thereof; and,

FIG. 4 is a top plan view, the bottom plan view being a mirror image thereof.

The yarn is shown broken away and embraced by a bracket in the FIGS. 1, 3, and 4 views in order to indicate that the length of the yarn is indefinite and that the claim is not directed to a specific length. The brackets depicted form no part of the claimed design.

1 Claim, 1 Drawing Sheet



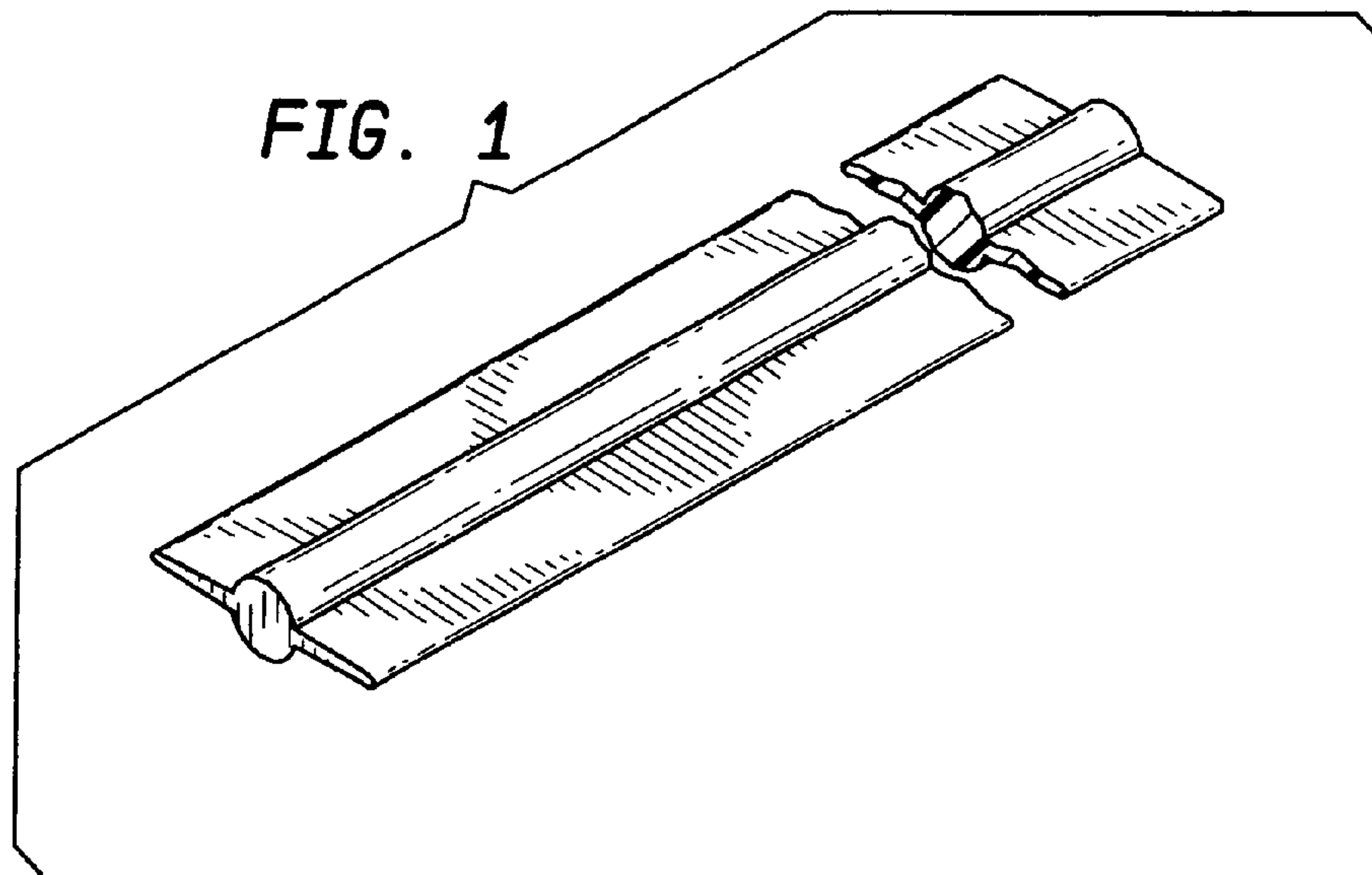


FIG. 2



FIG. 3

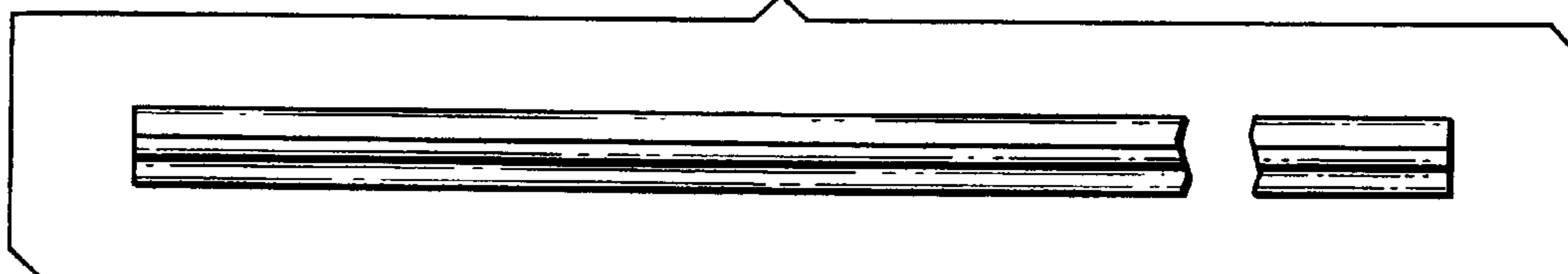


FIG. 4

