



US00D521247S

(12) **United States Design Patent**
Huller

(10) **Patent No.:** **US D521,247 S**

(45) **Date of Patent:** **** May 23, 2006**

(54) **BUTTERFLY-SHAPED BRUSH**

FOREIGN PATENT DOCUMENTS

(76) Inventor: **Joachim Huller**, Reichenbergstrasse 3,
D-77716 Fischerbach (DE)

EP	0571799	12/1993
FR	2626455	8/1989
WO	9714331	4/1997

(**) Term: **14 Years**

* cited by examiner

(21) Appl. No.: **29/231,344**

Primary Examiner—Alan P. Douglas

(22) Filed: **Jun. 3, 2005**

Assistant Examiner—Lavone D. Tabor

(30) **Foreign Application Priority Data**

(74) *Attorney, Agent, or Firm*—Horst M. Kasper

Dec. 3, 2004 (DE) 404 06 880

(51) **LOC (8) Cl.** **04-02**

(52) **U.S. Cl.** **D4/125**

(58) **Field of Classification Search** D4/124,
D4/125, 129, 130, 138; D28/7, 63; D32/43;
15/143.1, 159.1, 160, 186, 187; D21/650;
446/71, 72, 296, 472

See application file for complete search history.

(57) **CLAIM**

The ornamental design for a butterfly-shaped brush, as shown and described.

DESCRIPTION

The claimed butterfly-shaped brush is used for cleaning shoes and clothing.

FIG. 1 is a top plan view of a butterfly-shaped brush showing my new design;

FIG. 2 is a rear elevational view thereof;

FIG. 3 is a front elevational view thereof;

FIG. 4 is a left side elevational view thereof;

FIG. 5 is a right side elevational view thereof; and,

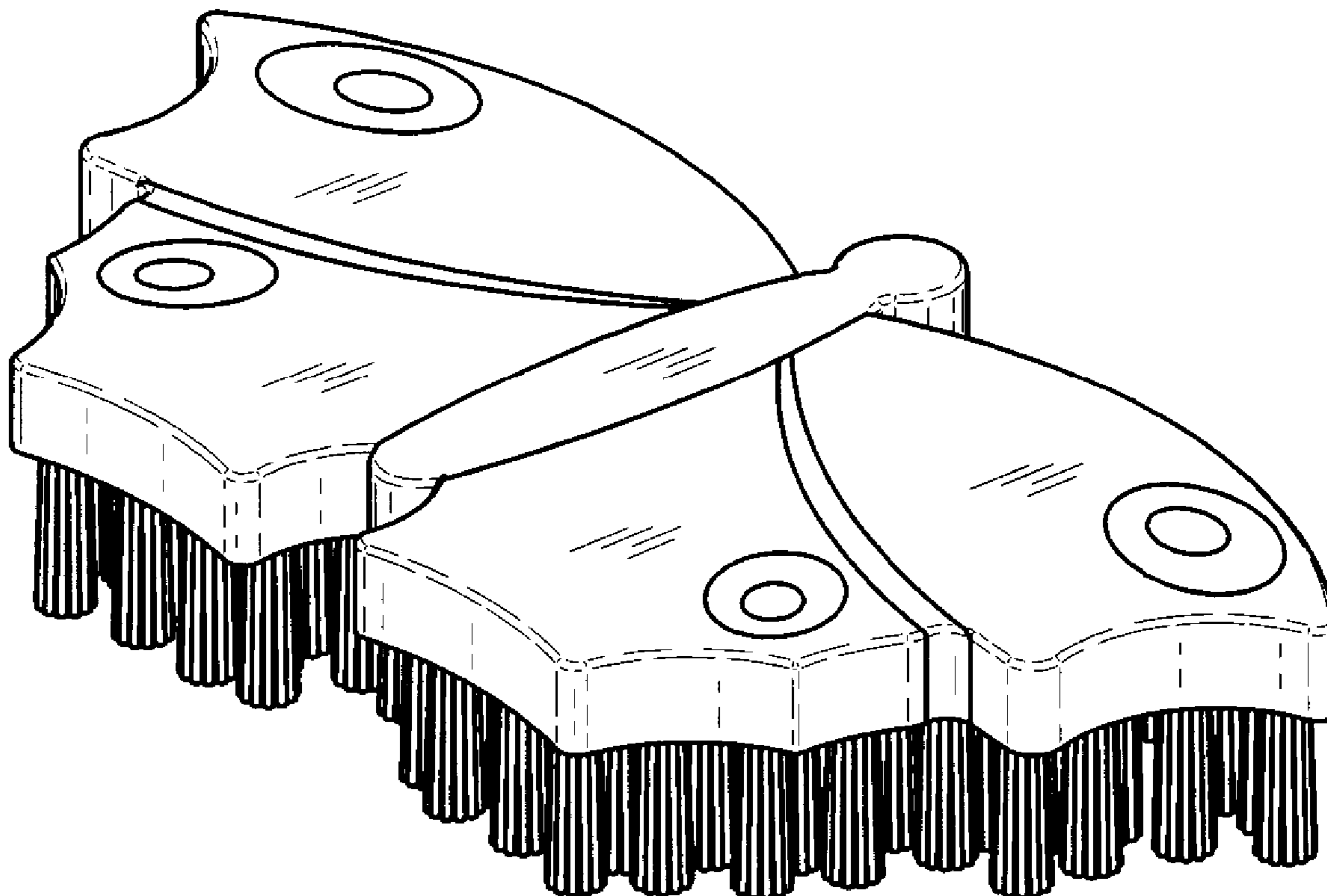
FIG. 6 is a perspective view thereof.

(56) **References Cited**

U.S. PATENT DOCUMENTS

D78,752 S	*	6/1929	Hill	D4/125
D78,753 S	*	6/1929	Hill	D4/125
D83,889 S	*	4/1931	Abbott	D4/125
D352,830 S	*	11/1994	Wolff	D4/124

1 Claim, 2 Drawing Sheets



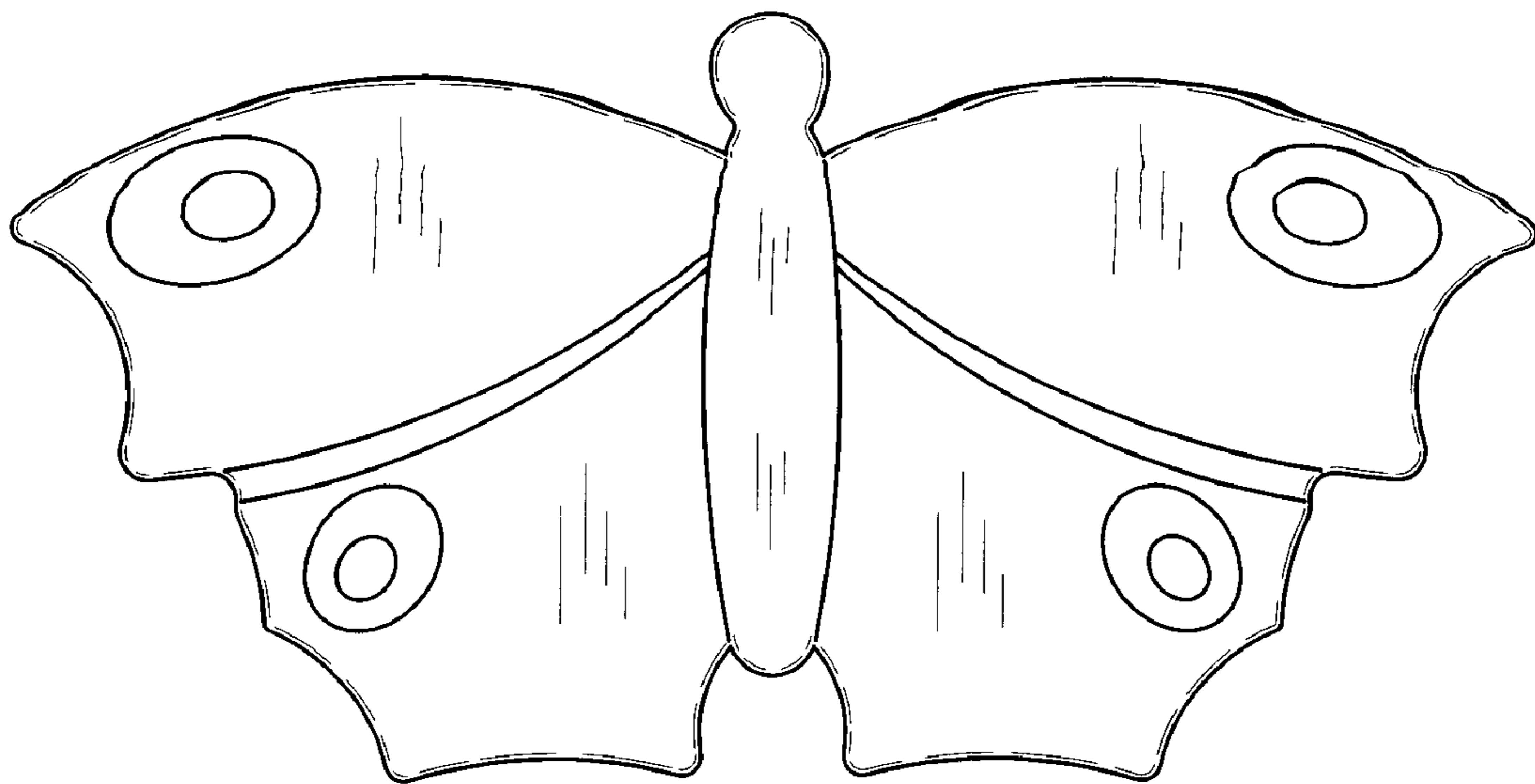


Fig.1

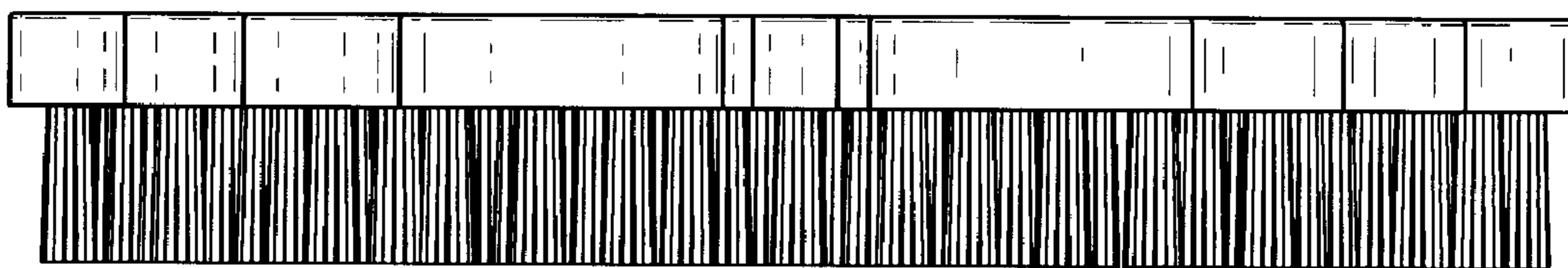


Fig.2

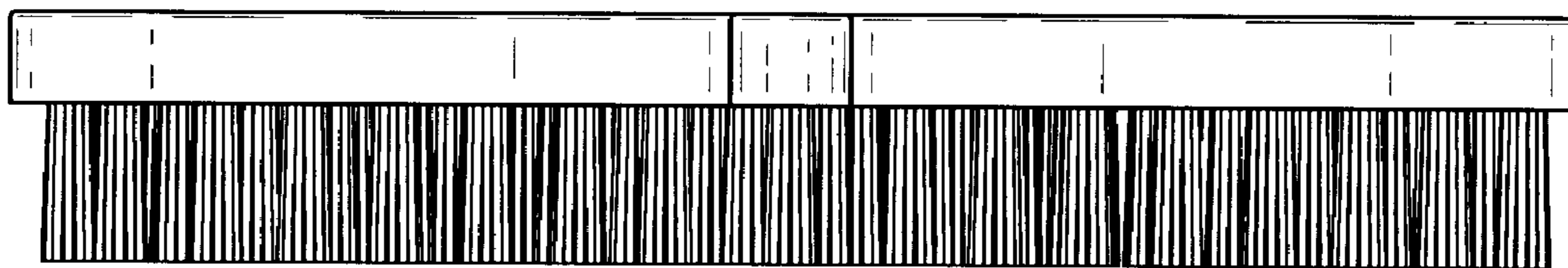


Fig.3

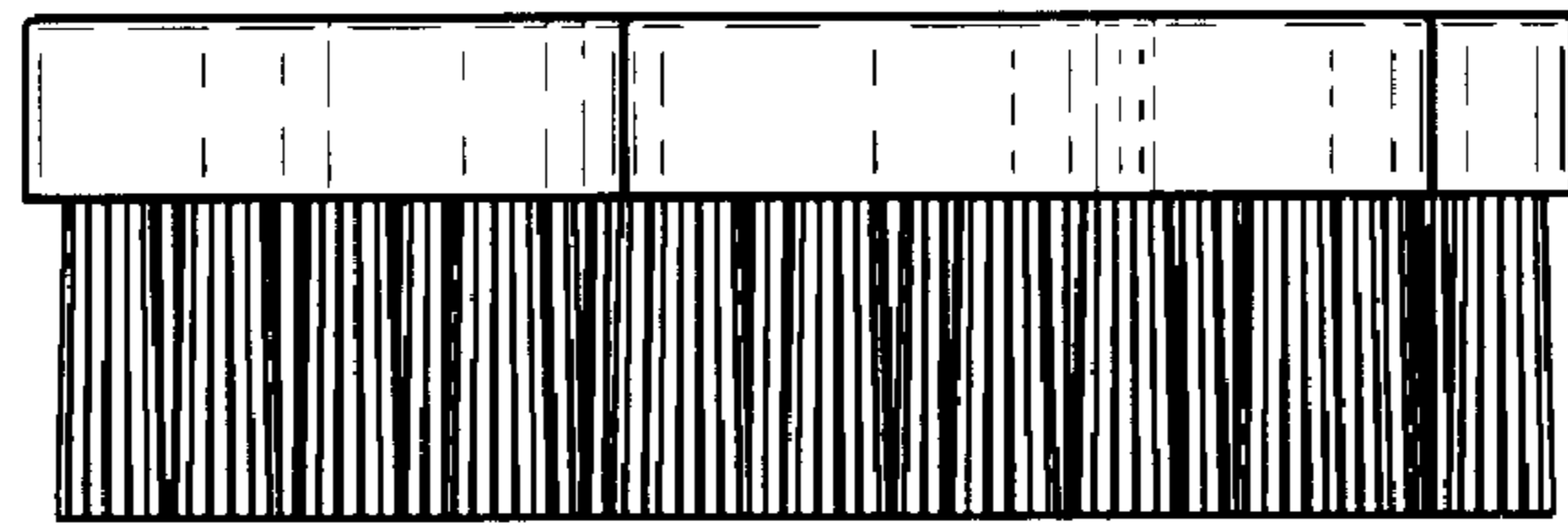


Fig.4

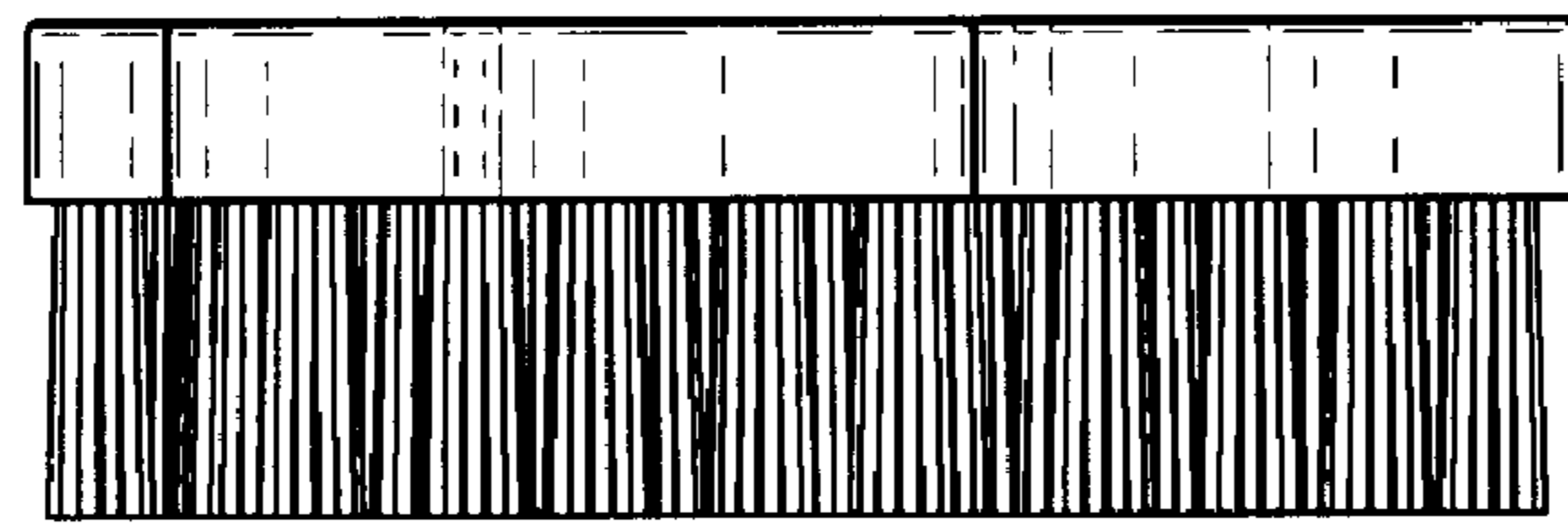


Fig.5

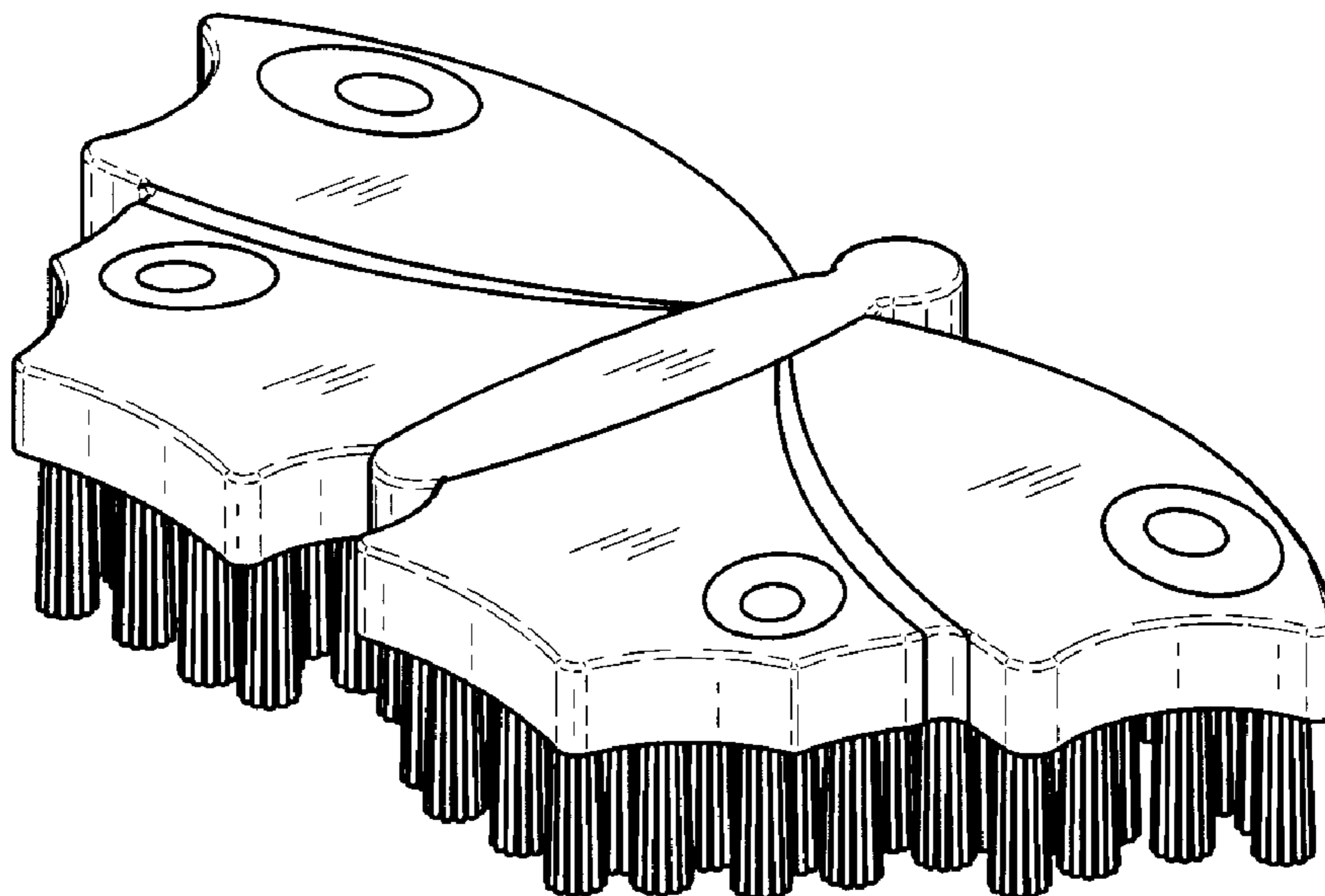


Fig.6