



US00D521241S

(12) **United States Design Patent**
Dimmerling

(10) **Patent No.:** **US D521,241 S**

(45) **Date of Patent:** **** May 23, 2006**

(54) **PIPE AND TUBE CLEANING KIT**

5,781,955 A * 7/1998 Hendricks 15/22.1
6,065,173 A 5/2000 White

(76) Inventor: **Ronald C. Dimmerling**, 1725 Broad
Ave. NW., Canton, OH (US) 44708

OTHER PUBLICATIONS

The MILL-ROSE Company, Mentor, Ohio; Advertisement
sheet for Power Cleaning Brushes.*

(**) Term: **14 Years**

* cited by examiner

(21) Appl. No.: **29/200,309**

Primary Examiner—Alan P. Douglas
Assistant Examiner—Lavone D. Tabor

(22) Filed: **Feb. 26, 2004**

(51) **LOC (8) Cl.** **04-02**

(52) **U.S. Cl.** **D4/102**

(58) **Field of Classification Search** D4/100,
D4/102, 127, 128; 15/22.1, 23, 88, 104.03,
15/104.04, 104.05, 104.09, 104.095, 104.2,
15/159.1, 160, 206

(57) **CLAIM**

The ornamental design for a pipe and tube cleaning kit, as
shown and described.

See application file for complete search history.

DESCRIPTION

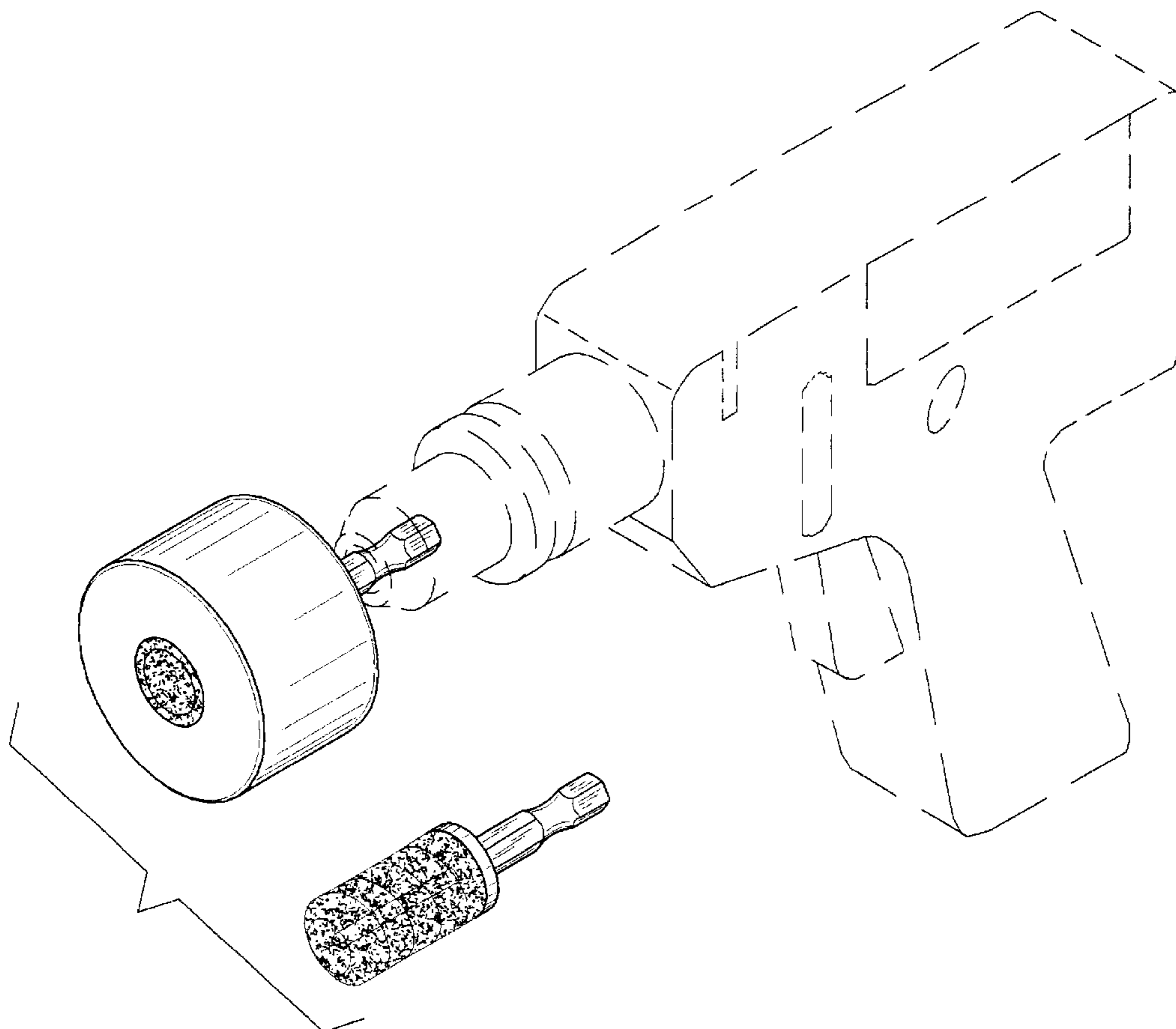
FIG. 1 is a front elevational view of a pipe and tube cleaning
kit showing my new design;
FIG. 2 is a rear elevational view thereof;
FIG. 3 is a top plan view thereof;
FIG. 4 is a bottom plan view thereof; and,
FIG. 5 is a perspective view of my kit.
The dotted lines showing a drill in FIG. 5 are for illustrative
purposes only and form no part of my claimed design.

(56) **References Cited**

U.S. PATENT DOCUMENTS

3,188,674 A	6/1965	Hobbs	
4,850,071 A	7/1989	Lawrence	
D337,889 S	8/1993	Benson	
5,307,534 A	5/1994	Miller	
D347,523 S	* 6/1994	Villeneuve D4/102
5,599,225 A	2/1997	Warner et al.	

1 Claim, 3 Drawing Sheets



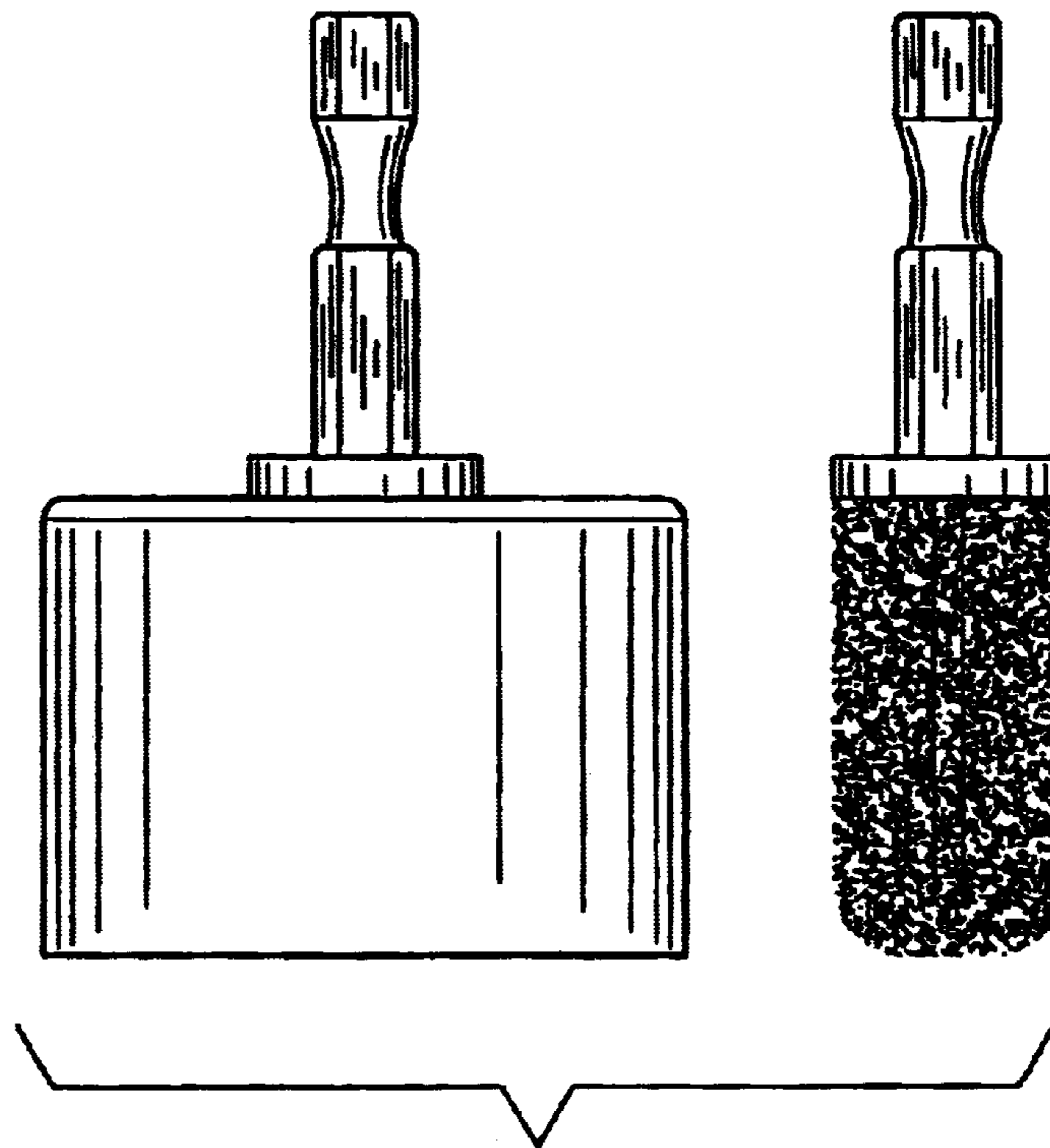


FIG. 1

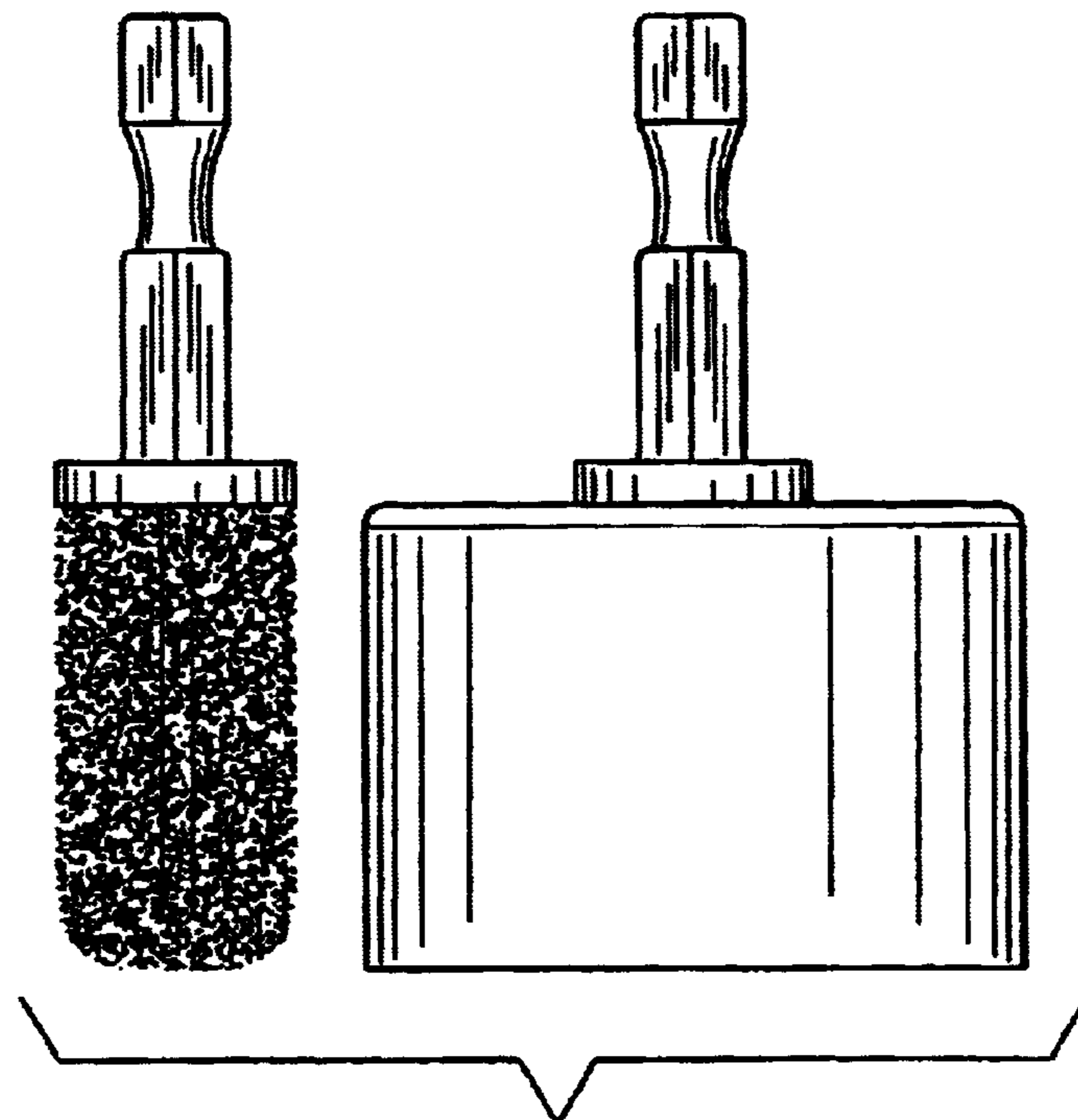


FIG. 2

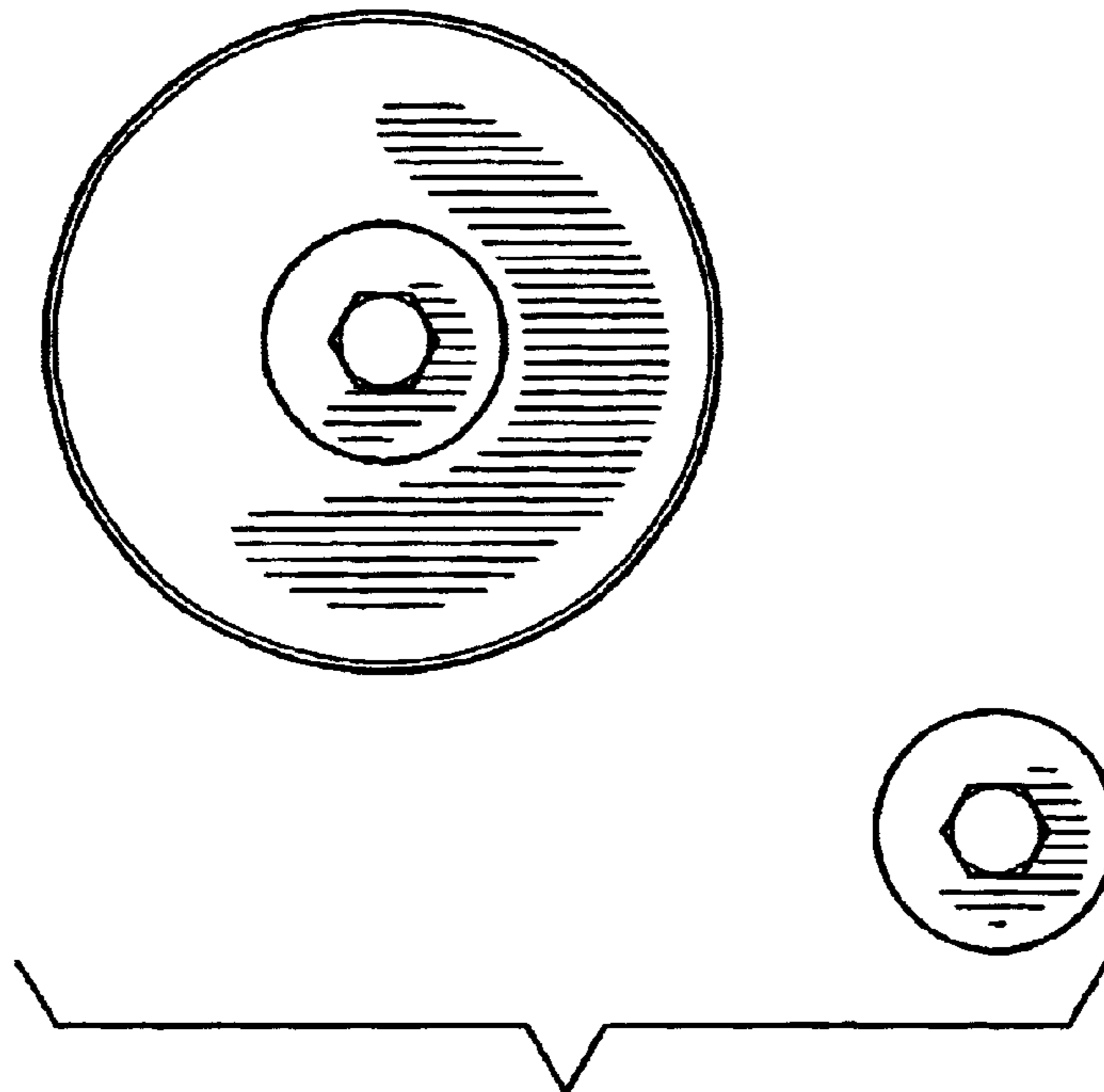


FIG. 3

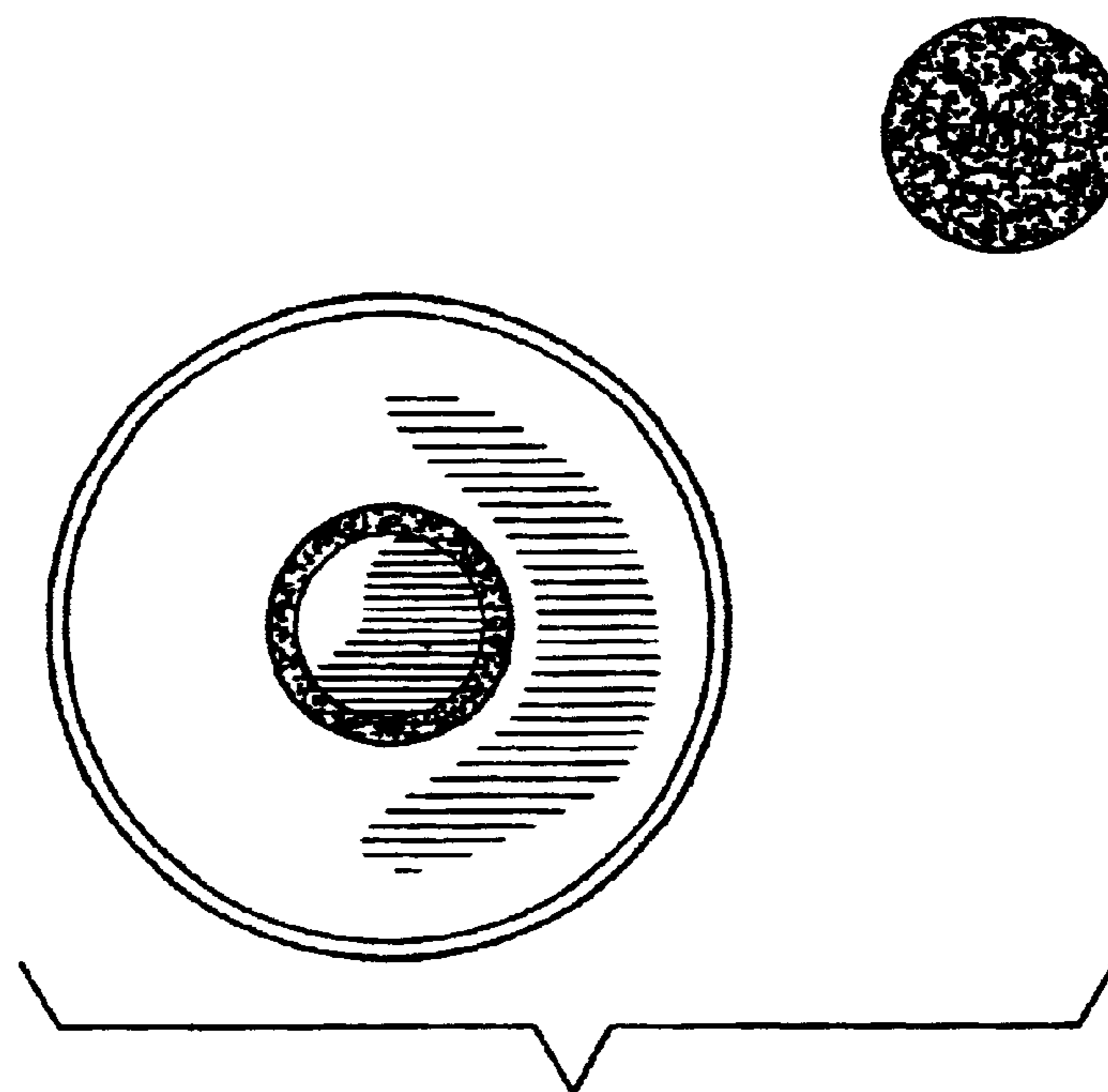


FIG. 4

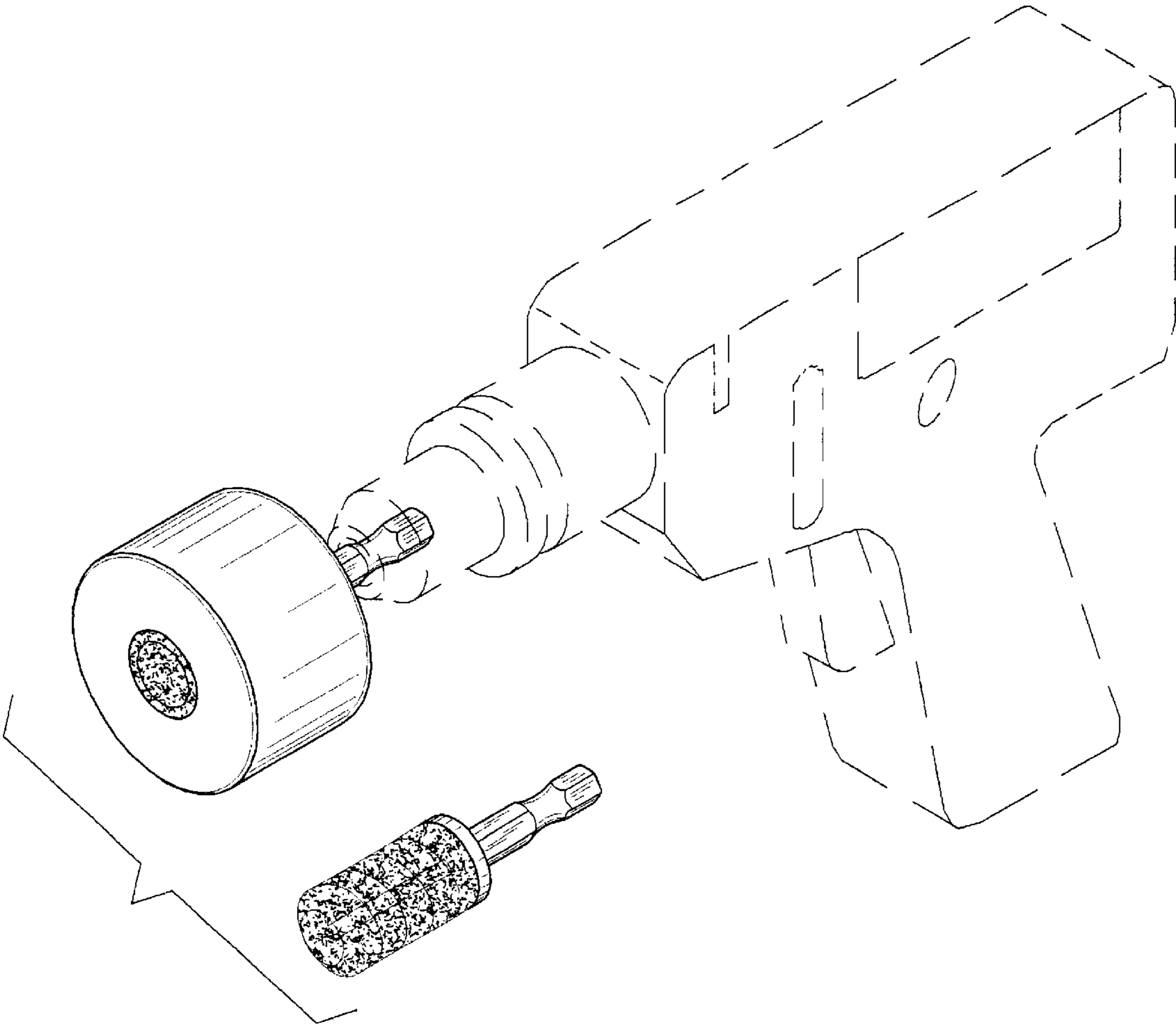


FIG. 5