

US00D521239S

(12) **United States Design Patent**
Moon

(10) **Patent No.:** **US D521,239 S**

(45) **Date of Patent:** **** May 23, 2006**

(54) **PURSE CLASP**

(76) Inventor: **Jerry Moon**, P.O. Box 24-108, Taipei (TW)

(**) Term: **14 Years**

(21) Appl. No.: **29/194,750**

(22) Filed: **Dec. 2, 2003**

(51) **LOC (8) Cl.** **03-99**

(52) **U.S. Cl.** **D3/324**

(58) **Field of Classification Search** D3/323-324, D3/326, 900, 232, 242, 243; 150/118, 123, 150/143, 149, 152; D32/61-64; 24/40, 303, 24/324, 385, 455, 461, 572.1, 573.11, 578.1, 24/578.11, 578.15, 578.17; D8/382-383, D8/397-399; D11/86-87, 200, 206, 212, D11/218, 214-216, 220, 222, 226, 230; 292/251.5, 292/299, 1, 137, 281, DIG. 37, DIG. 61
See application file for complete search history.

D335,266 S	*	5/1993	Morita	D11/231
D374,346 S	*	10/1996	Giovannella	D3/243
D378,349 S	*	3/1997	Saito et al.	D8/382
D381,258 S	*	7/1997	Saito	D8/382
D431,453 S	*	10/2000	Chan	D8/382
D432,400 S	*	10/2000	Chan	D8/382
6,131,247 A	*	10/2000	Morita	24/303
6,182,336 B1	*	2/2001	Bauer	24/303
D464,562 S	*	10/2002	Reiter	D8/382
6,564,434 B1	*	5/2003	Morita	24/303
D481,298 S	*	10/2003	Aoki	D8/382
D498,414 S	*	11/2004	Yoneoka	D8/382
D504,311 S	*	4/2005	Aoki	D8/382
D506,921 S	*	7/2005	Aoki	D8/382

* cited by examiner

Primary Examiner—Sandra S. Snapp

(57) **CLAIM**

I claim the ornamental design for a purse clasp, as shown and described.

DESCRIPTION

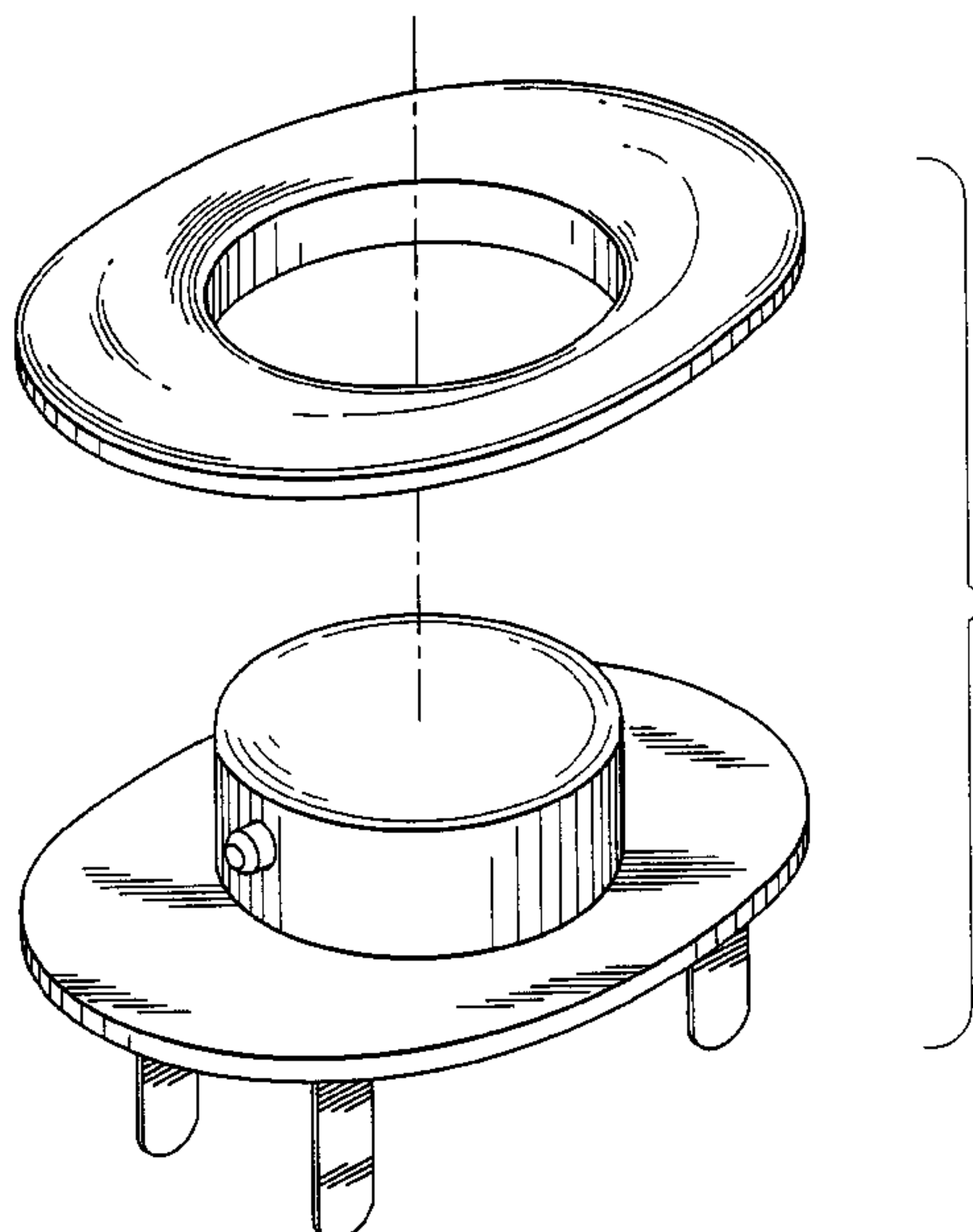
FIG. 1 is a perspective view of a purse clasp showing my new design;
FIG. 2 is a front elevational view thereof; the rear elevational view being a mirror image;
FIG. 3 is a right side elevational view thereof; the left side elevational view being a mirror image;
FIG. 4 is a top plan view thereof;
FIG. 5 is a bottom plan view thereof; and,
FIG. 6 is an exploded perspective view thereof with the button detached from the base.

1 Claim, 3 Drawing Sheets

(56) **References Cited**

U.S. PATENT DOCUMENTS

1,301,093 A	*	4/1919	Bradford	
1,756,764 A	*	4/1930	Samstag	
1,803,441 A	*	5/1931	Sernaker 150/112
D130,874 S	*	12/1941	Levine D3/326
2,927,814 A	*	3/1960	Reitzel 292/335
D226,638 S	*	4/1973	White D3/243
D263,649 S	*	4/1982	Schimmel D3/243
D273,941 S	*	5/1984	Farber D9/420
D324,770 S	*	3/1992	Dixsaut D3/243
D324,771 S	*	3/1992	Dixsaut D3/243



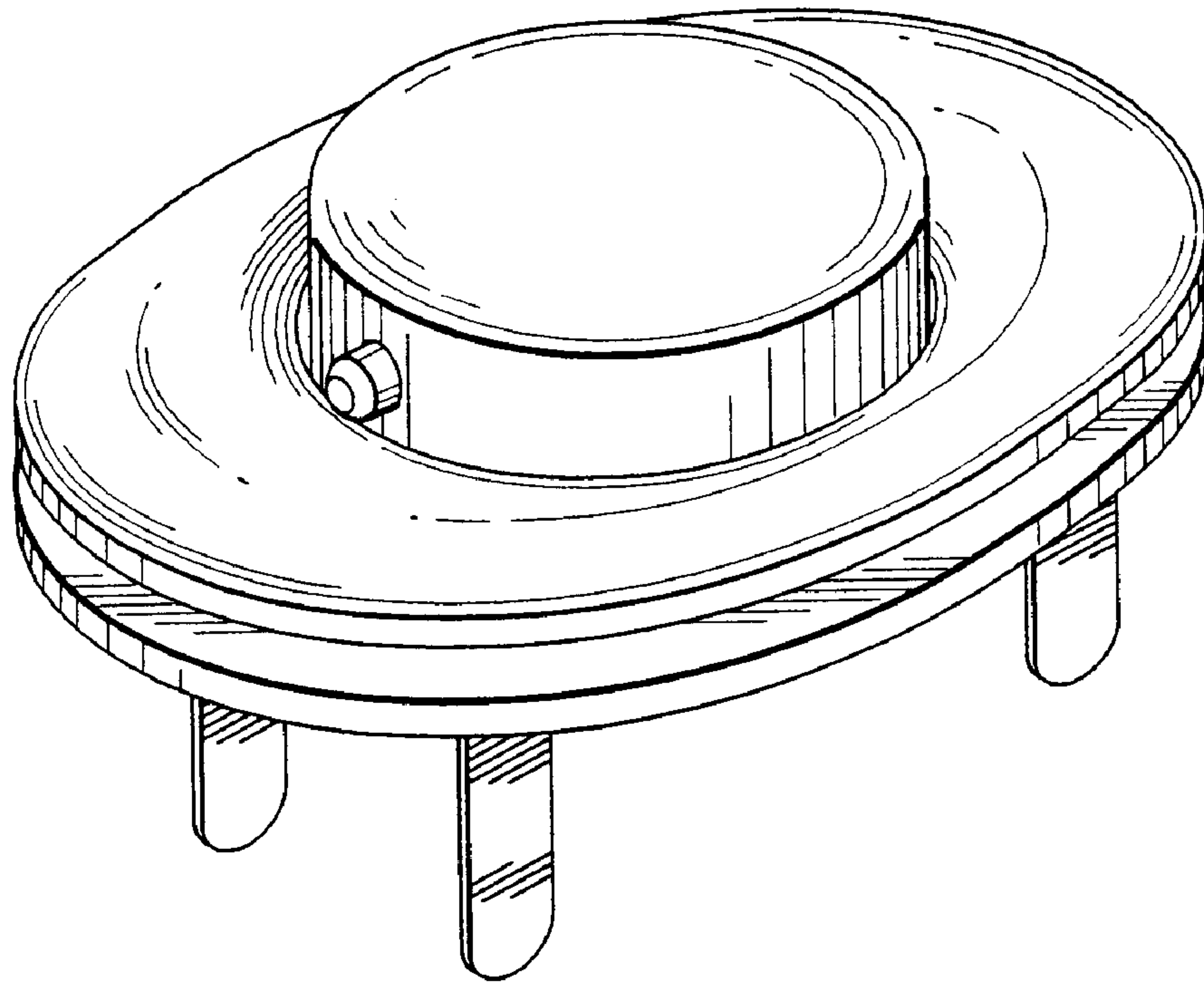


FIG. 1

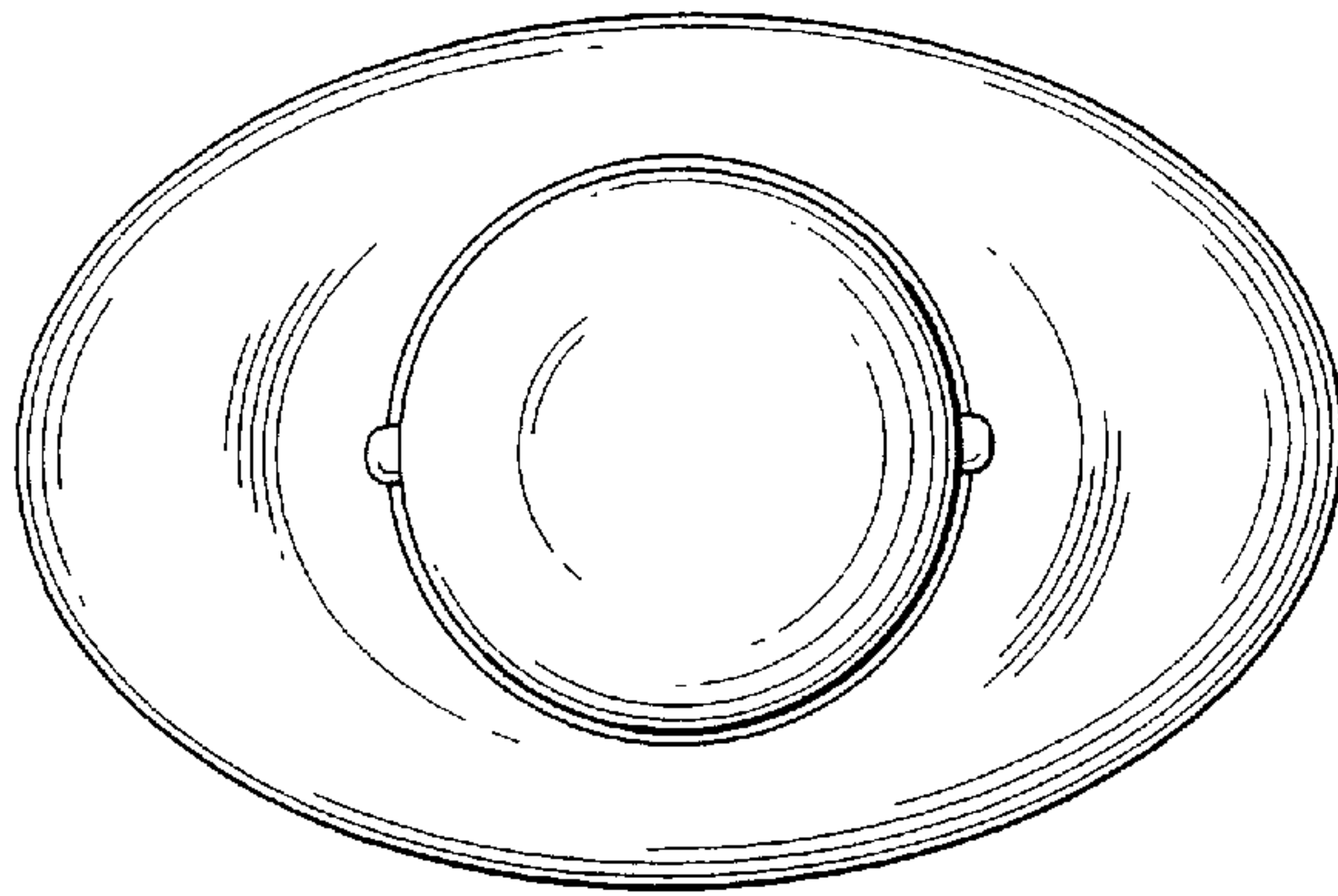


FIG. 4

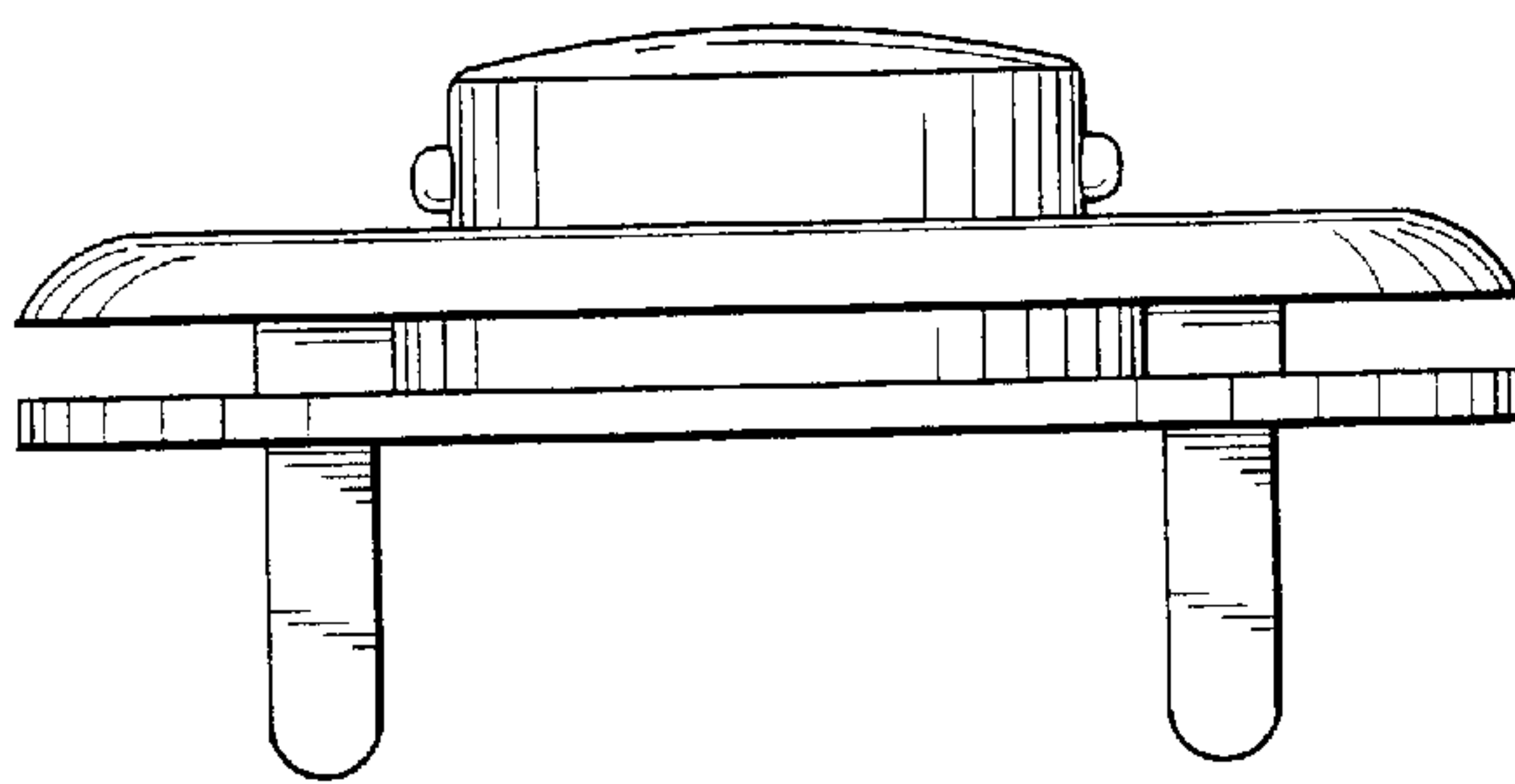


FIG. 2

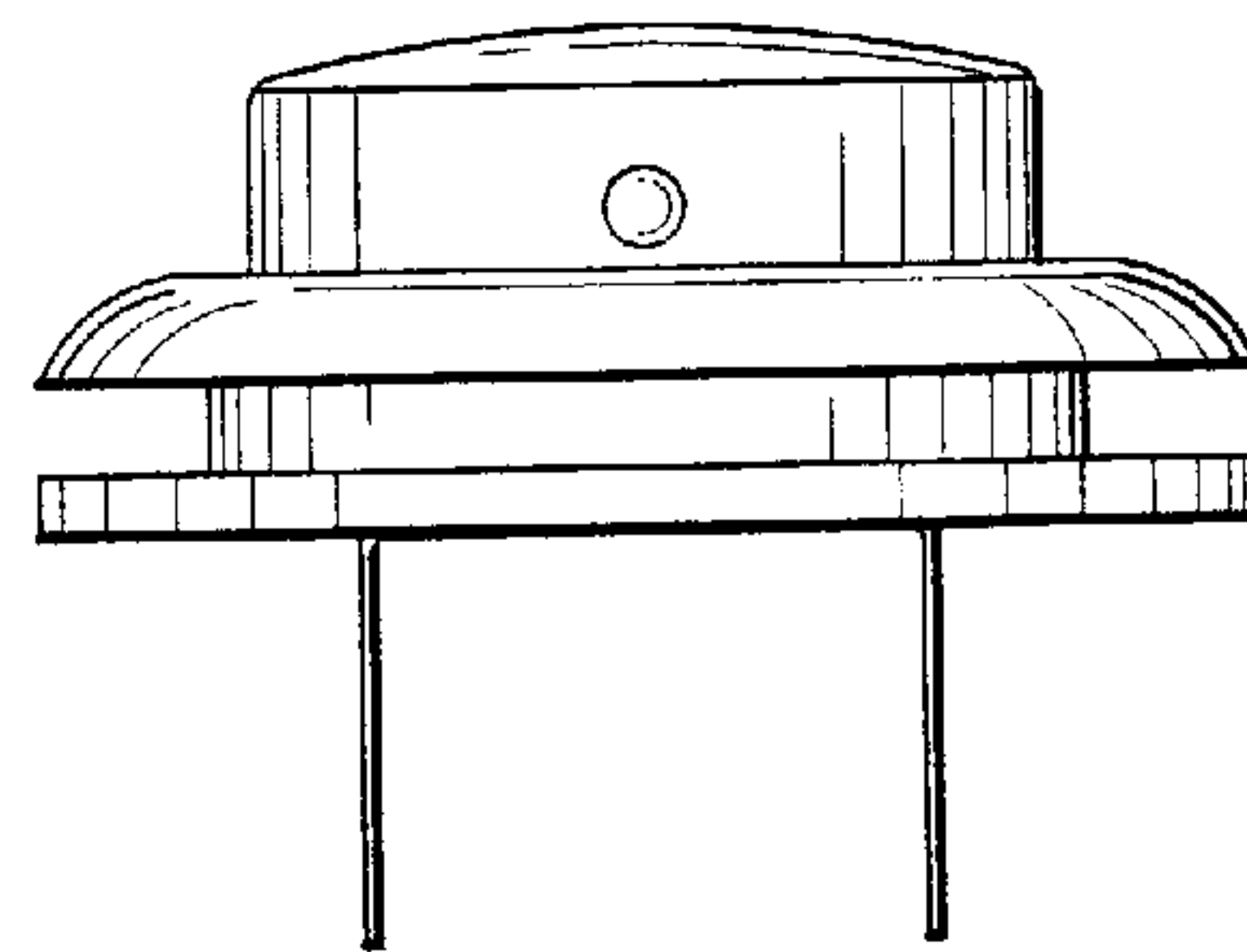


FIG. 3

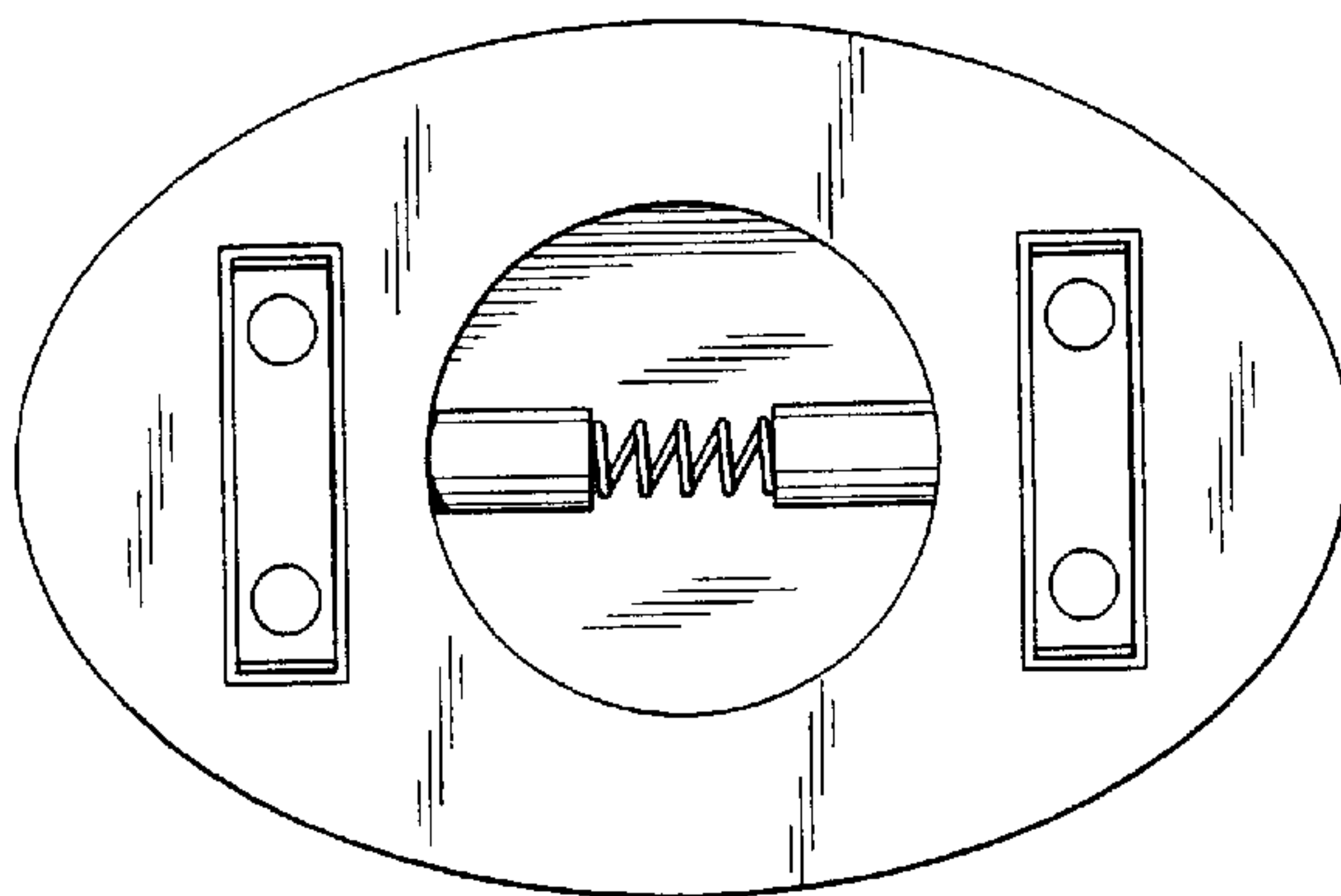


FIG. 5

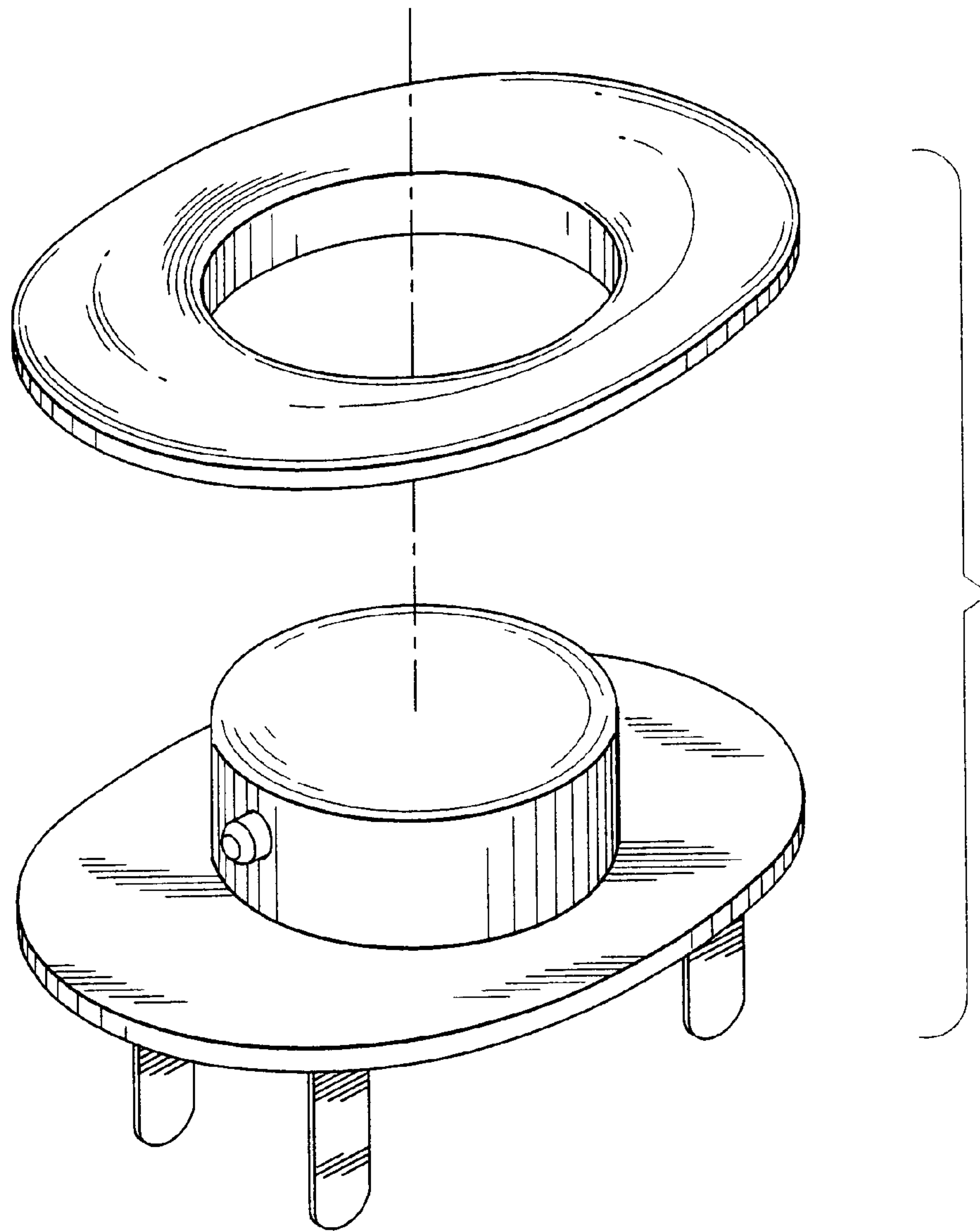


FIG. 6