



US00D521233S

(12) **United States Design Patent**  
**Gonzalez**

(10) **Patent No.:** **US D521,233 S**  
(45) **Date of Patent:** **\*\* May 23, 2006**

(54) **HANDBAG**

FOREIGN PATENT DOCUMENTS

(75) Inventor: **Alvaro Gonzalez**, Florence (IT)

GB 3001961 2/2002

(73) Assignee: **J. Choo (Jersey) Limited**, St. Helier (GB)

OTHER PUBLICATIONS

(\*\*) Term: **14 Years**

J. Choo (Jersey) Limited, Bean Print, Spring/Summer 2004 Catalog.

(21) Appl. No.: **29/221,660**

J. Choo (Jersey) Limited BEAN, Spring/Summer 2004 Catalog.

(22) Filed: **Jan. 18, 2005**

J. Choo (Jersey) Limited, BEAN, Cruise 2003 Catalog.

(30) **Foreign Application Priority Data**

J. Choo (Jersey) Limited, Tulita Large Hobo Perspex, Cruise 2003 Catalog.

Aug. 4, 2004 (EM) ..... 000213830-0004

U.S. Appl. No. 29/222,816, filed Feb. 3, 2005.

(51) **LOC (8) Cl.** ..... **03-01**

\* cited by examiner

(52) **U.S. Cl.** ..... **D3/232**

*Primary Examiner*—Ian Simmons

(58) **Field of Classification Search** ..... D3/232–247,  
D3/303, 305, 318, 324, 323, 327; 150/100,  
150/105–108, 110, 111, 114; 190/16, 19,  
190/100, 103, 104, 106, 112, 115, 116, 119,  
190/121, 900, 901, 902, 903; 383/42, 84,  
383/86, 98, 99, 104, 105, 119, 120, 121.1,  
383/127, 907

*Assistant Examiner*—Melanie Levy

(74) *Attorney, Agent, or Firm*—Fross Zelnick Lehrman & Zissu, P.C.; Lawrence E. Apolzon, Esq.

See application file for complete search history.

(57) **CLAIM**

(56) **References Cited**

The ornamental design for a handbag, as shown and described.

U.S. PATENT DOCUMENTS

1,977,551 A 10/1934 Goerdes  
2,140,124 A \* 12/1938 Banner et al. .... 150/100  
2,334,410 A \* 11/1943 Hume ..... 150/127  
2,788,823 A \* 4/1957 Walser ..... 150/113  
3,144,065 A \* 8/1964 Burgio, Jr. .... 150/100

**DESCRIPTION**

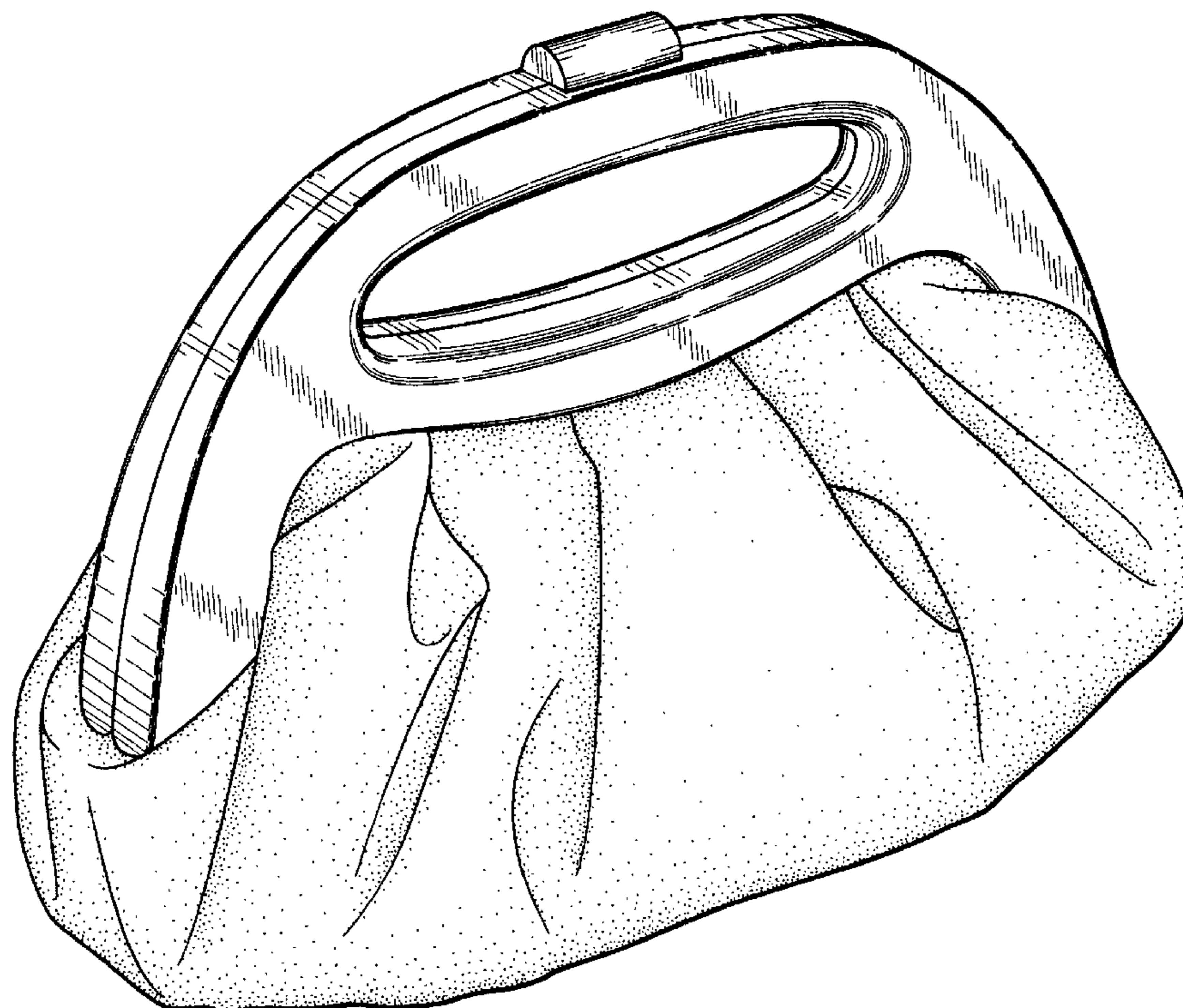
FIG. 1 is a front perspective view of a handbag showing my handbag design;

FIG. 2 is a front view of the handbag shown in FIG. 1 (the rear view being the same);

FIG. 3 is a right side view of the handbag shown in FIG. 1 (the left side view being the same);

FIG. 4 is a top view of the handbag shown in FIG. 1; and, FIG. 5 is a bottom view of the handbag shown in FIG. 1.

**1 Claim, 5 Drawing Sheets**



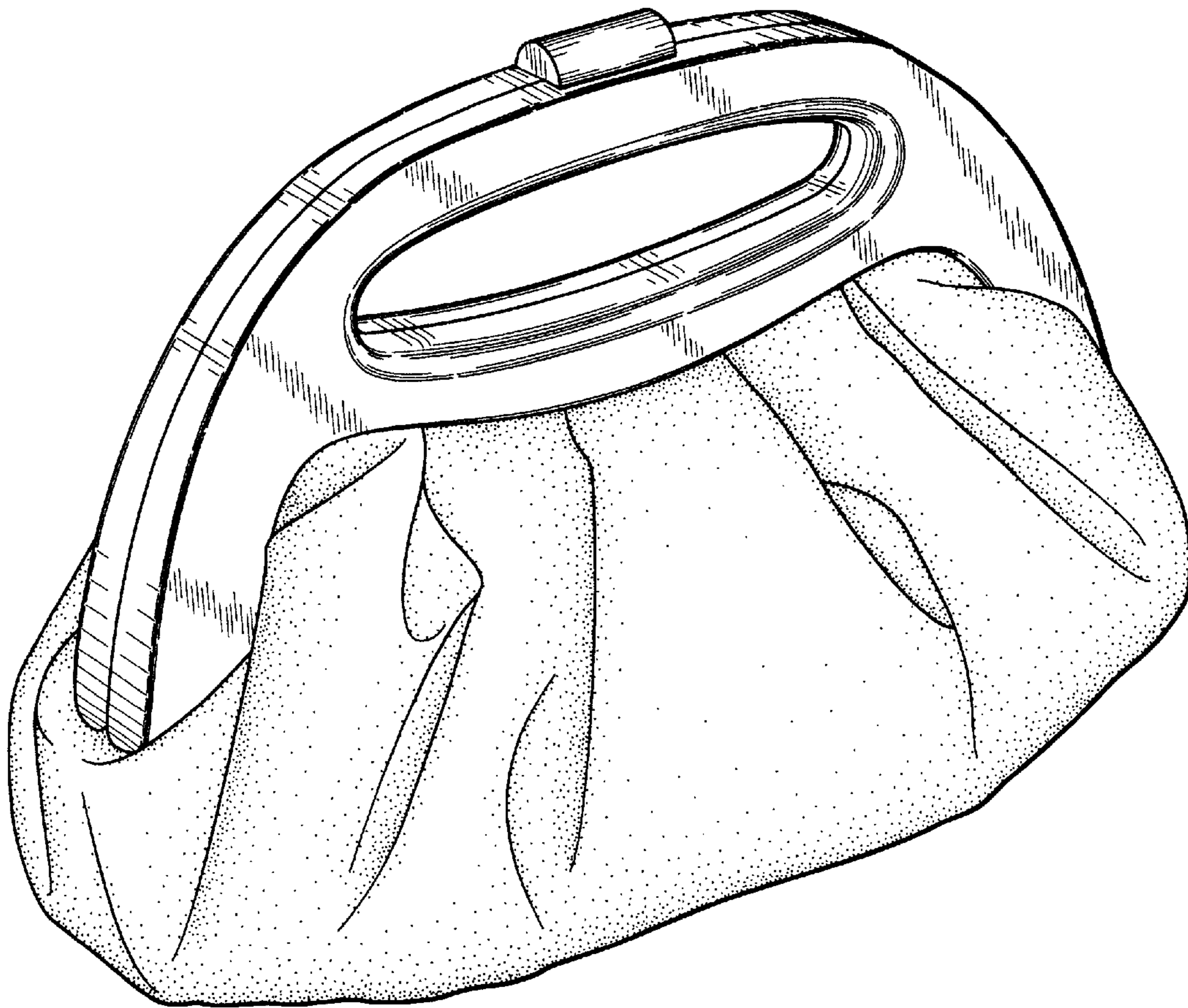


FIG. 1

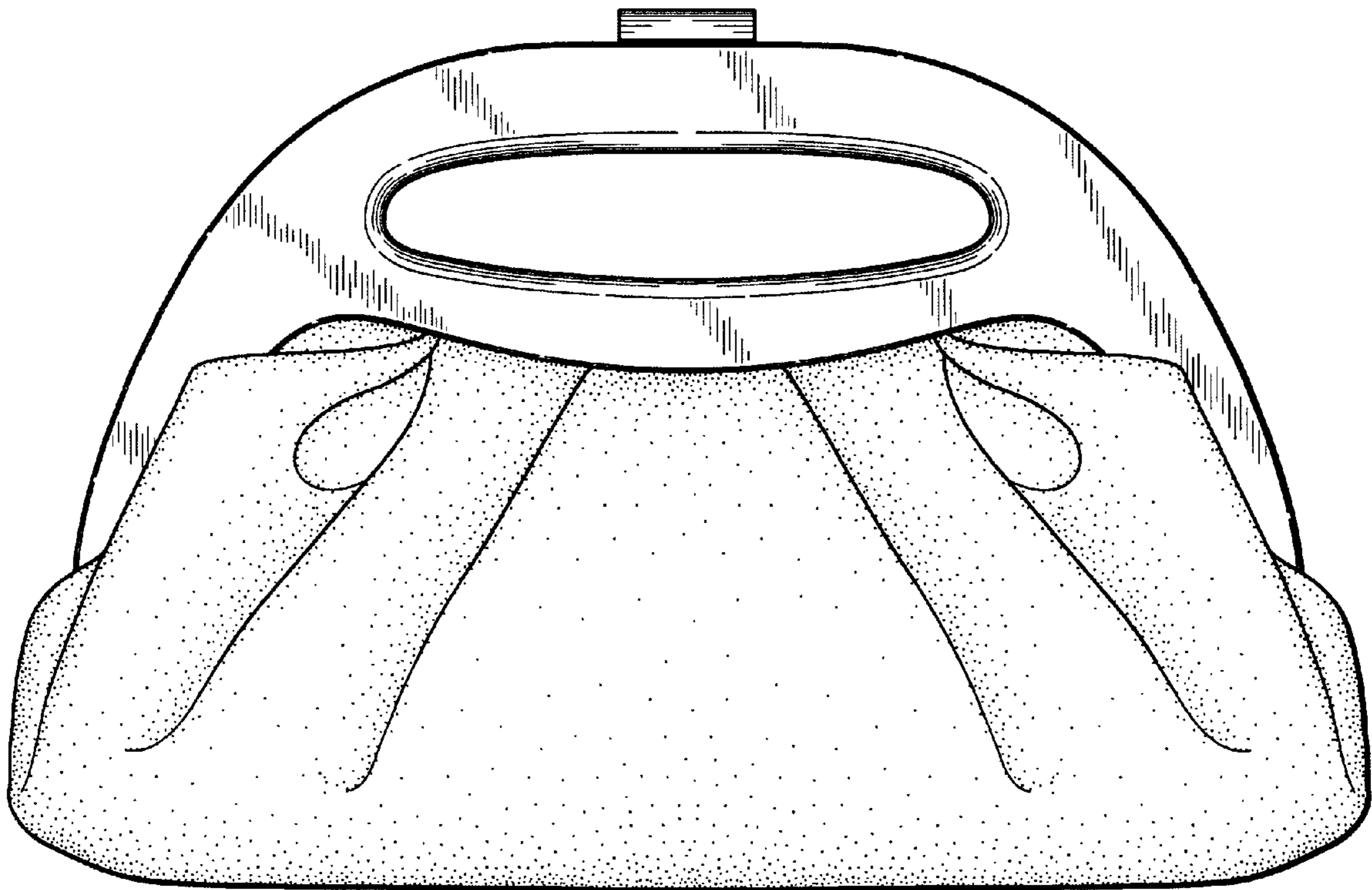


FIG. 2

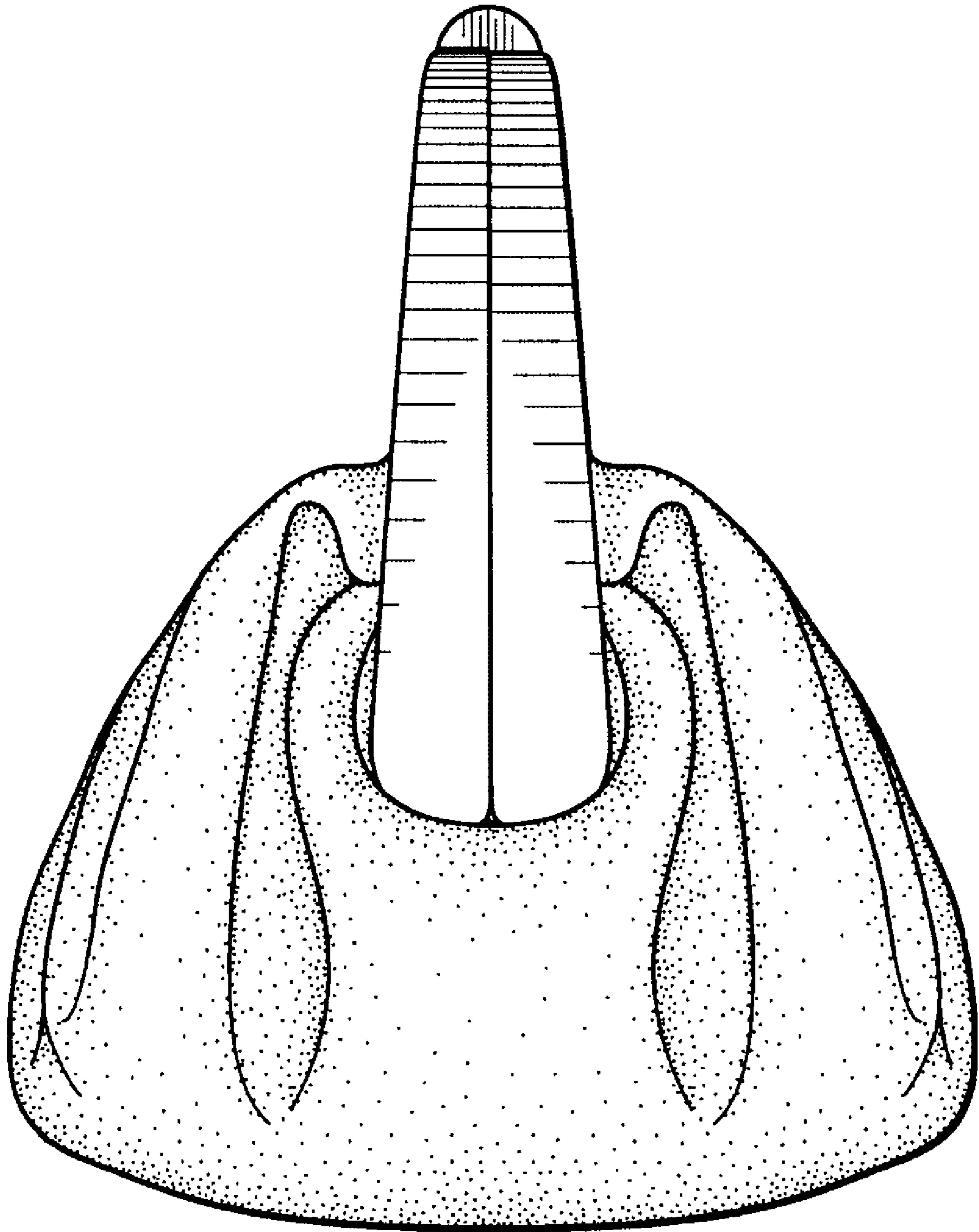


FIG. 3

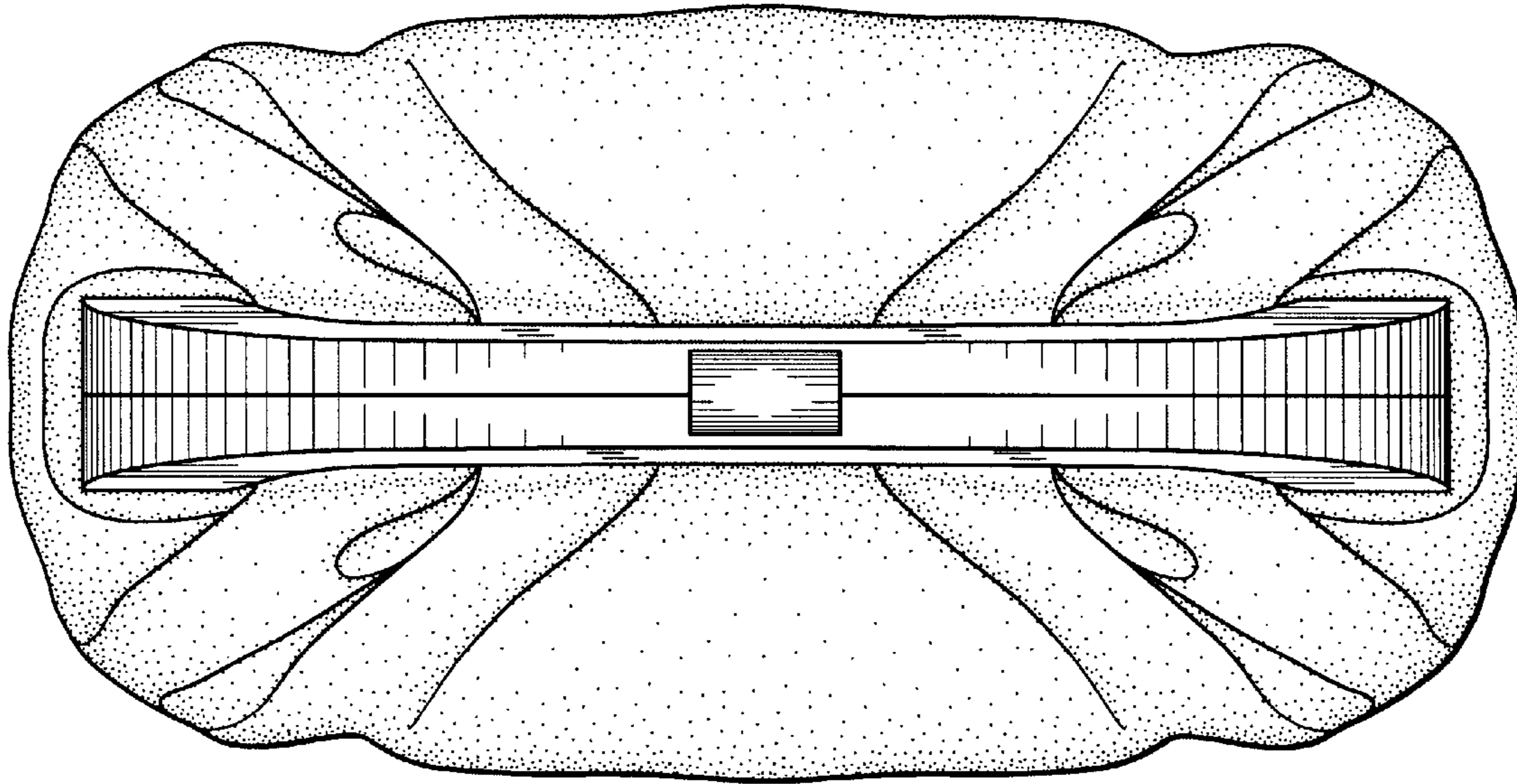


FIG. 4

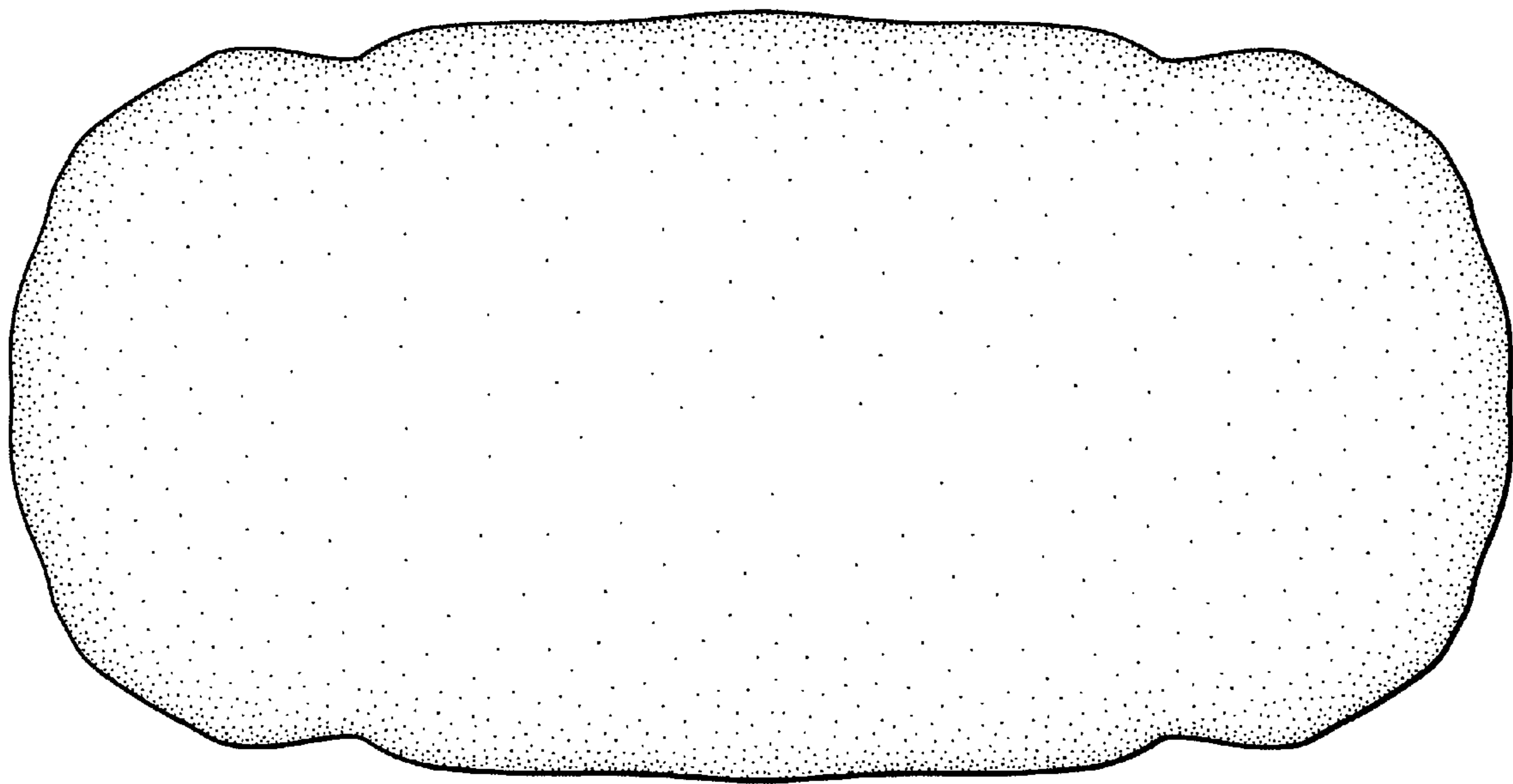


FIG. 5