



US00D521232S

(12) **United States Design Patent**  
**Andre et al.**

(10) **Patent No.:** **US D521,232 S**  
(45) **Date of Patent:** **\*\* May 23, 2006**

(54) **ELECTRONIC DEVICE HOLDER**  
(75) Inventors: **Bartley K. Andre**, Menlo Park, CA (US); **Daniel J. Coster**, San Francisco, CA (US); **Daniele De Iuliis**, San Francisco, CA (US); **Richard P. Howarth**, San Francisco, CA (US); **Jonathan P. Ive**, San Francisco, CA (US); **Duncan Robert Kerr**, San Francisco, CA (US); **Shin Nishibori**, San Francisco, CA (US); **Matthew Dean Rohrbach**, San Francisco, CA (US); **Douglas B. Satzger**, Menlo Park, CA (US); **Calvin Q. Seid**, Palo Alto, CA (US); **Christopher J. Stringer**, Portola Valley, CA (US); **Eugene Antony Whang**, San Francisco, CA (US)

(73) Assignee: **Apple Computer, Inc.**, Cupertino, CA (US)

(\*\*) Term: **14 Years**

(21) Appl. No.: **29/227,456**

(22) Filed: **Apr. 11, 2005**

**Related U.S. Application Data**

(63) Continuation of application No. 29/208,315, filed on Jun. 24, 2004.

(51) **LOC (8) Cl.** ..... **03-01**

(52) **U.S. Cl.** ..... **D3/218**

(58) **Field of Classification Search** ..... D3/218, D3/215, 224-229, 221; 224/148.1-148.7, 224/191, 240; D8/395, 396; D14/251-253, D14/140-142; 455/90, 515-550

See application file for complete search history.

(56) **References Cited**

**U.S. PATENT DOCUMENTS**

D171,247 S \* 1/1954 Charnota ..... D3/226

D306,654 S	3/1990	Brown	.....	D3/218
D345,646 S	4/1994	Knapp	.....	D3/218
D348,981 S	7/1994	Dill	.....	D3/218
D354,677 S	* 1/1995	Troyer	.....	D8/396
D370,559 S	* 6/1996	Arndt	.....	D3/229
D373,241 S	9/1996	Chavez et al.	.....	D3/218
D375,197 S	11/1996	Laherty	.....	D3/218
D392,097 S	3/1998	Pottala et al.	.....	D3/218
D393,744 S	4/1998	Wandt et al.	.....	D3/218
D418,119 S	12/1999	Rowell	.....	D14/114
D426,701 S	6/2000	Edwards et al.	.....	D3/218

(Continued)

**OTHER PUBLICATIONS**

U.S. Appl. No. 29/196,833, filed Jan. 5, 2004.

*Primary Examiner*—Catherine R. Oliver  
(74) *Attorney, Agent, or Firm*—Beyer Weaver & Thomas, LLP

(57) **CLAIM**

We claim the ornamental design for an electronic device holder, substantially as shown and described.

**DESCRIPTION**

FIG. 1 is a front perspective view of an electronic device holder in accordance with the present design.

FIG. 2 is a rear perspective view for the electronic device holder shown in FIG. 1.

FIG. 3 is a rear view for the electronic device holder shown in FIG. 1.

FIG. 4 is a front view for the electronic device holder shown in FIG. 1.

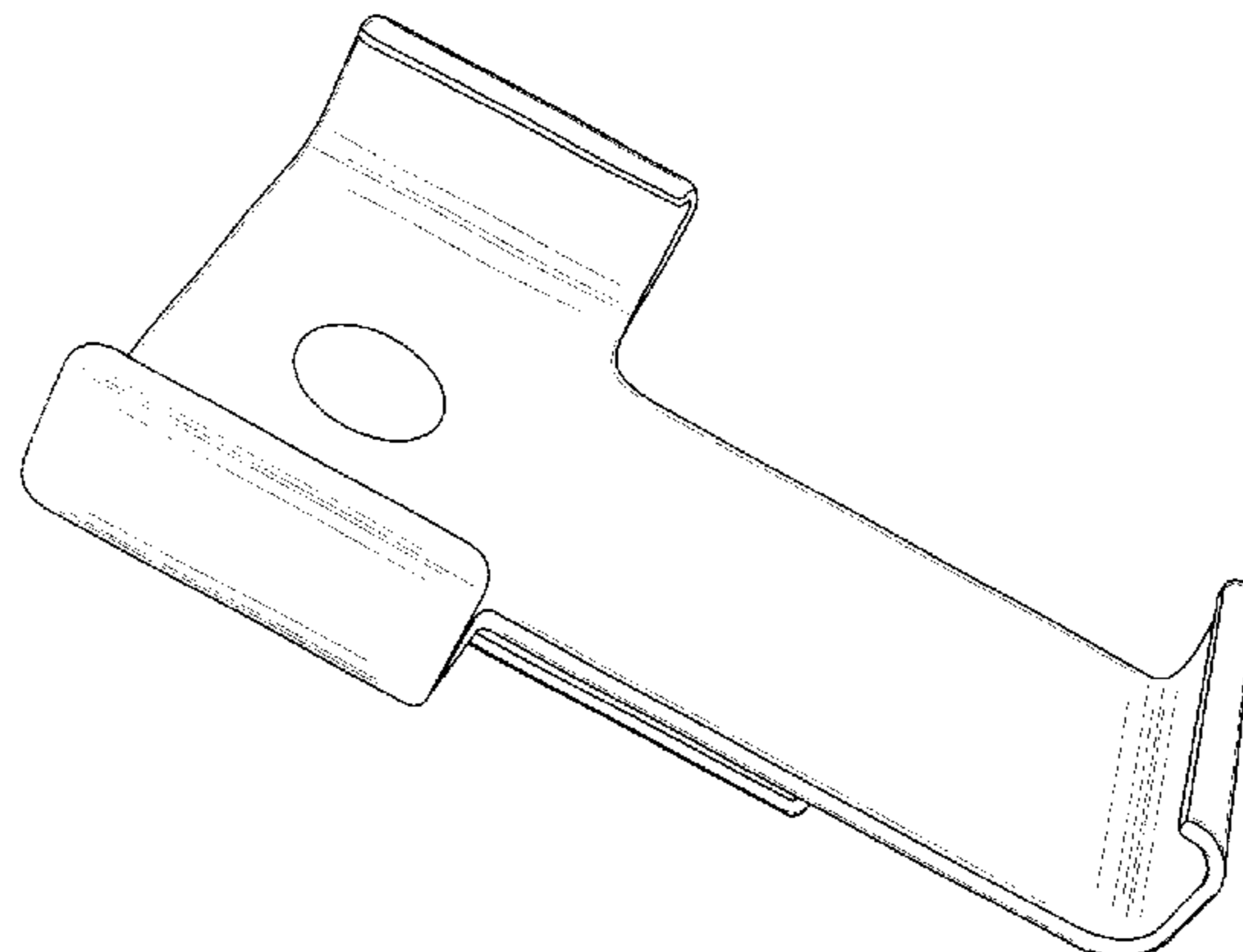
FIG. 5 is a bottom view for the electronic device holder shown in FIG. 1.

FIG. 6 is a top view for the electronic device holder shown in FIG. 1.

FIG. 7 is a right side view for the electronic device holder shown in FIG. 1; and,

FIG. 8 is a left side view for the electronic device holder shown in FIG. 1.

**1 Claim, 3 Drawing Sheets**



# US D521,232 S

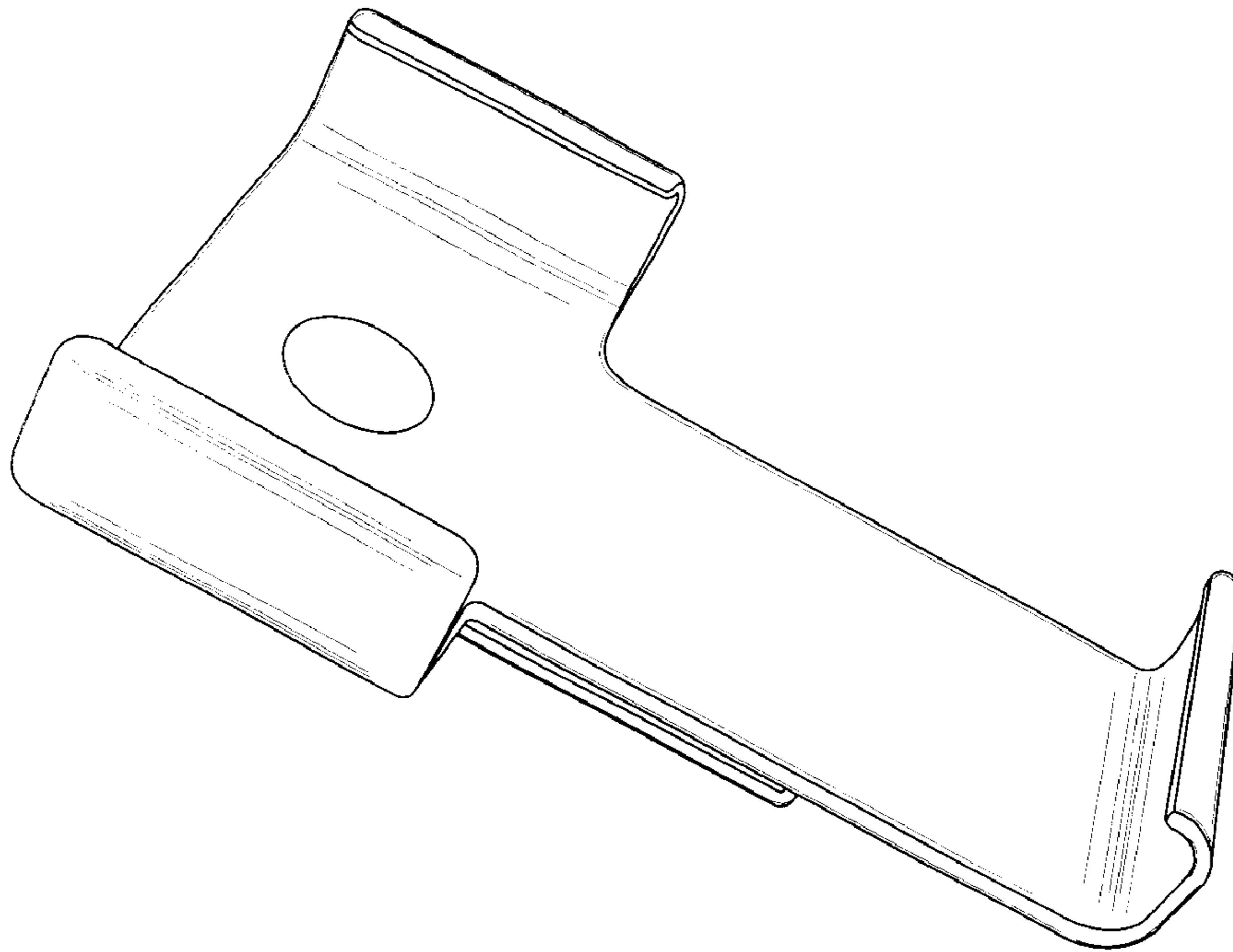
Page 2

---

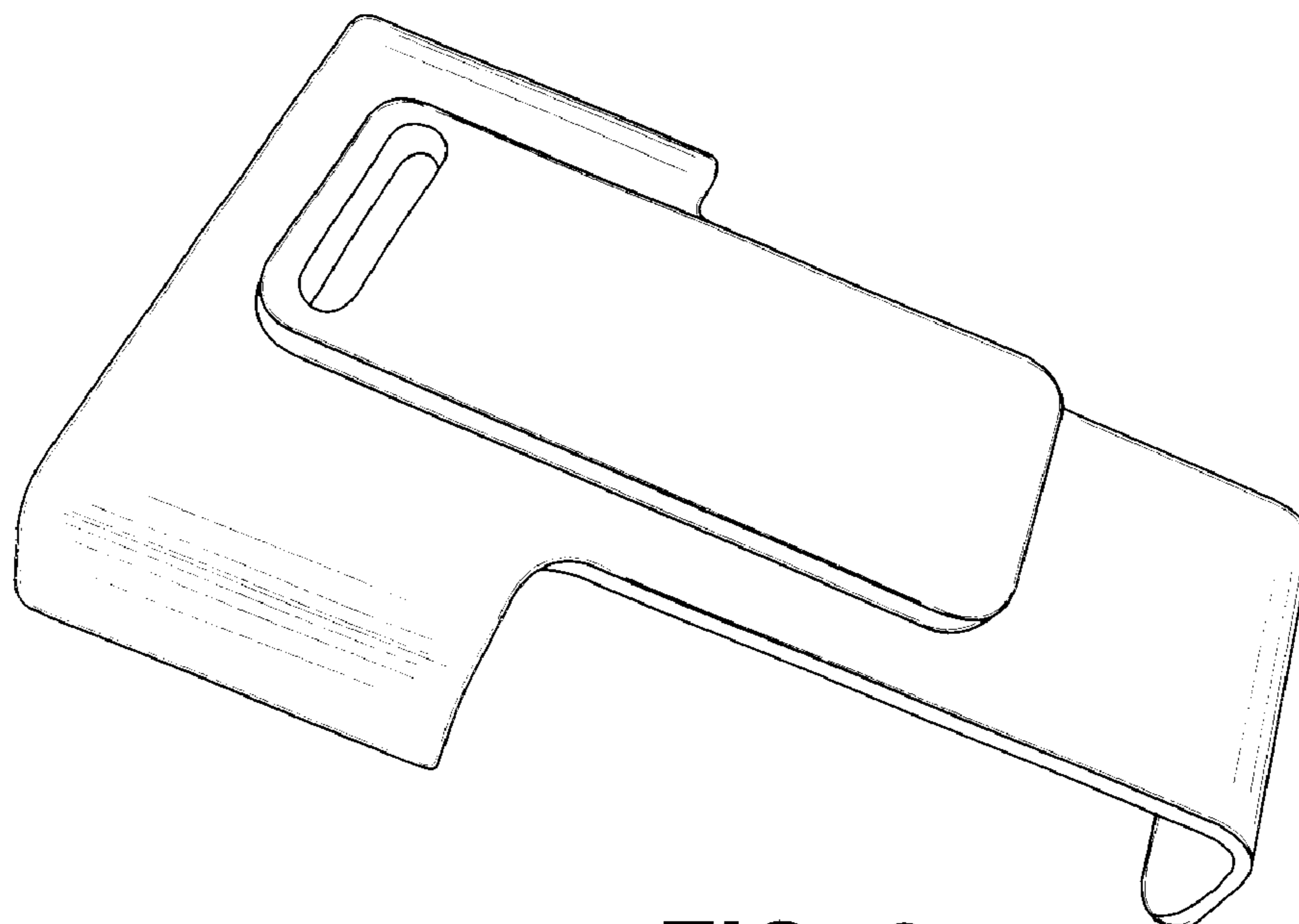
## U.S. PATENT DOCUMENTS

D431,250 S	9/2000	Richter .....	D14/447	D475,850 S	6/2003	Andre et al. ....	D3/218
D434,898 S	* 12/2000	Jokinen et al. ....	D3/218	D476,149 S	6/2003	Andre et al. ....	D3/215
D465,646 S	11/2002	Hendrickson .....	D3/218	D485,060 S	1/2004	DeCotis .....	D3/215
D466,287 S	12/2002	Takaka .....	D3/218	D495,871 S	9/2004	Moffitt et al. ....	D3/215
D468,525 S	1/2003	Boyle et al. ....	D3/218	D503,532 S	4/2005	Andre et al. ....	D3/218

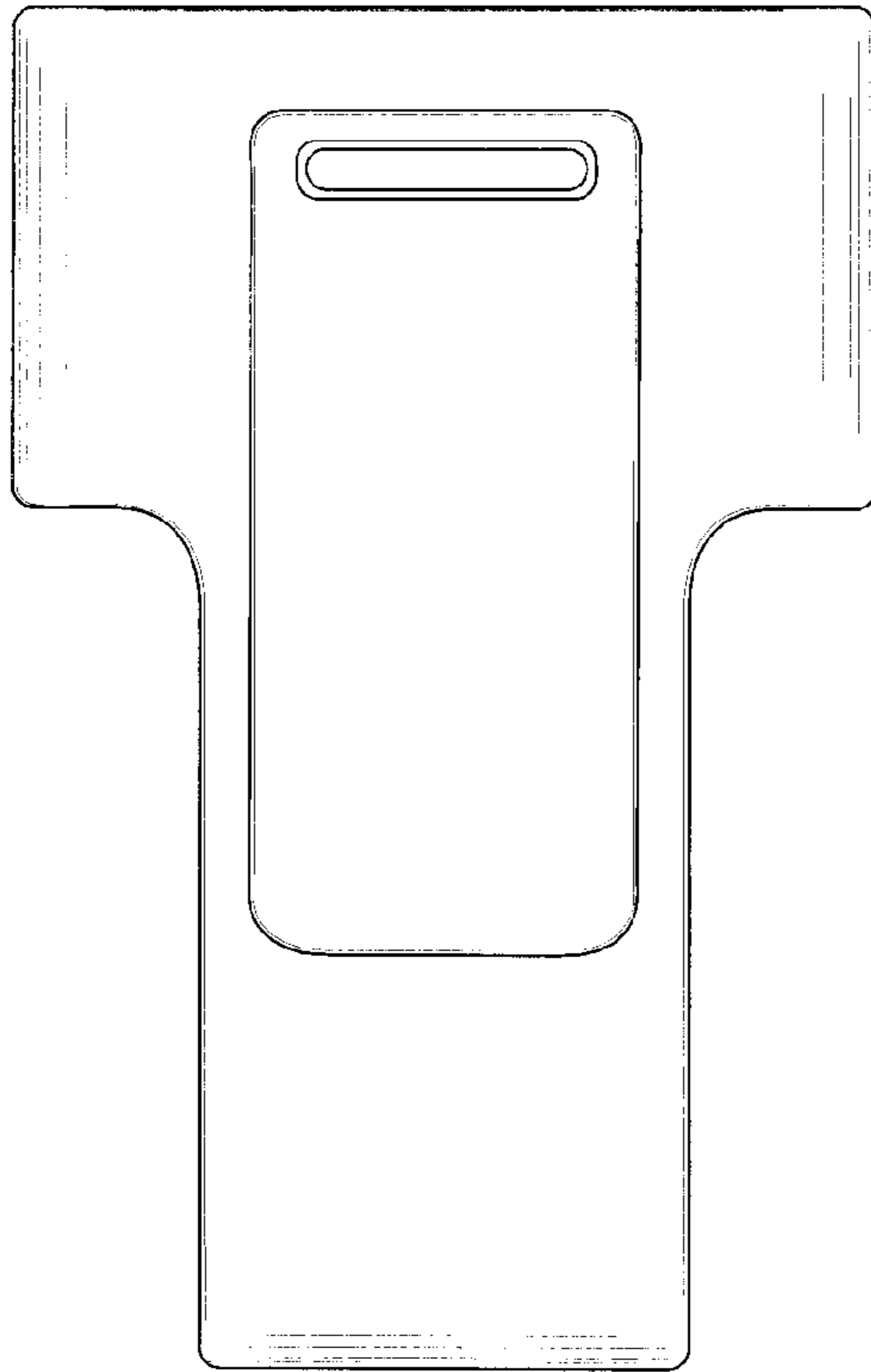
\* cited by examiner



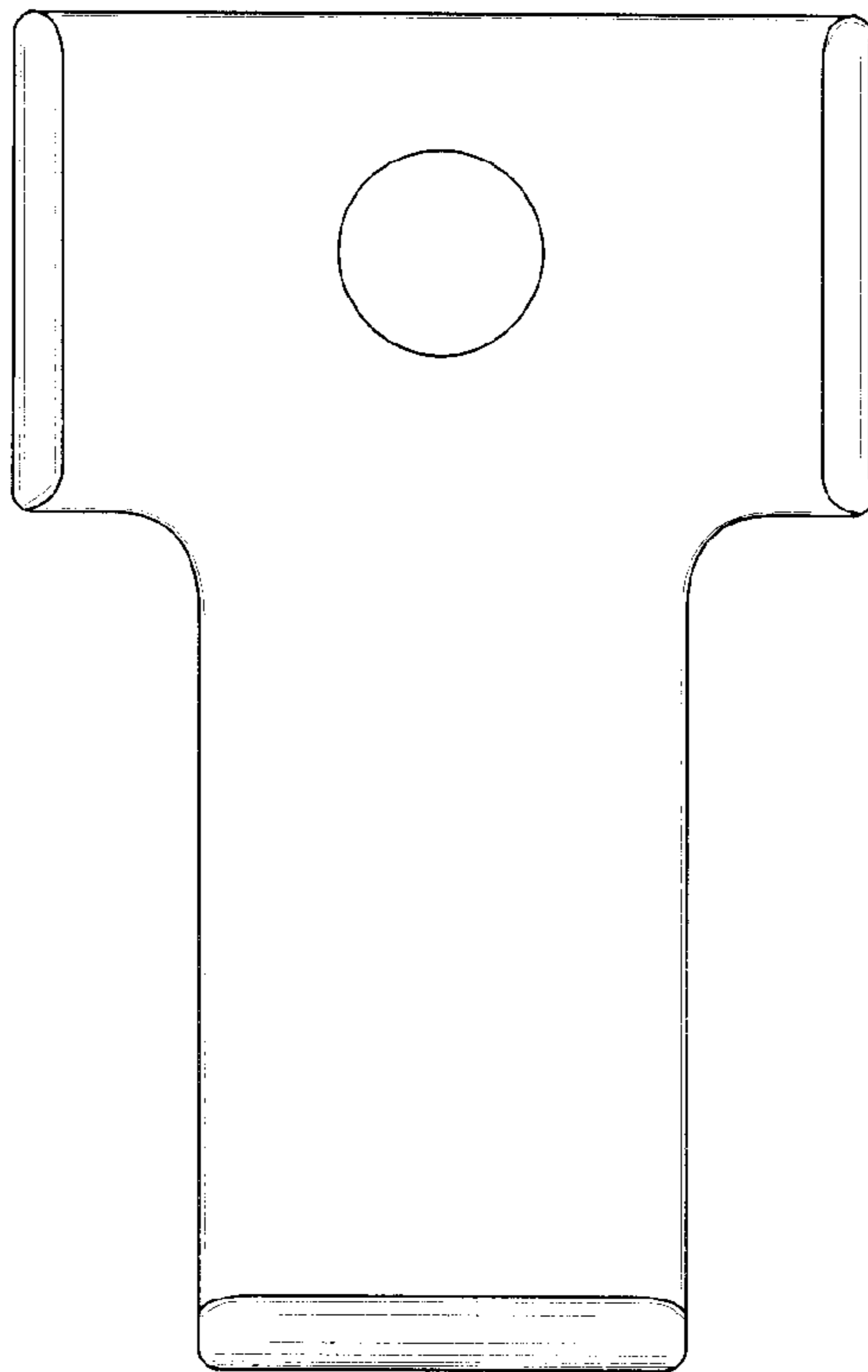
**FIG. 1**



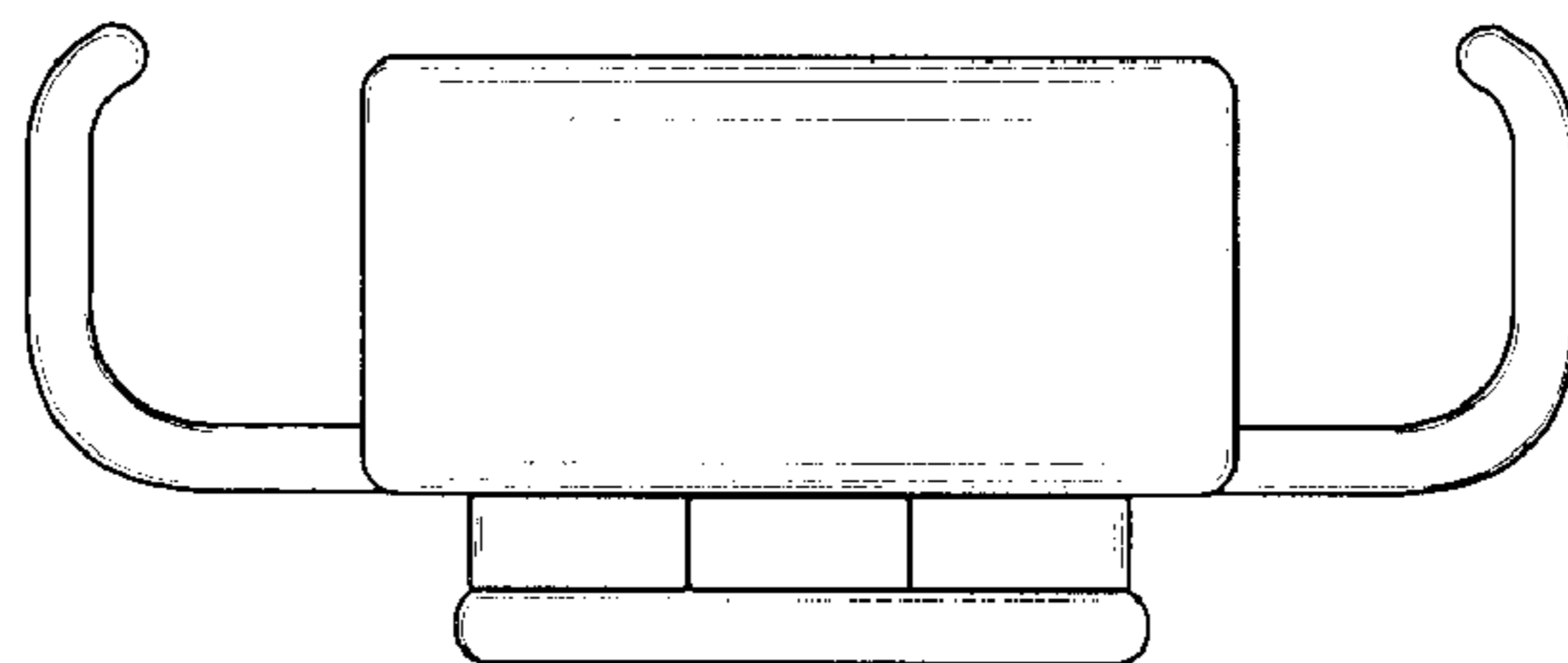
**FIG. 2**



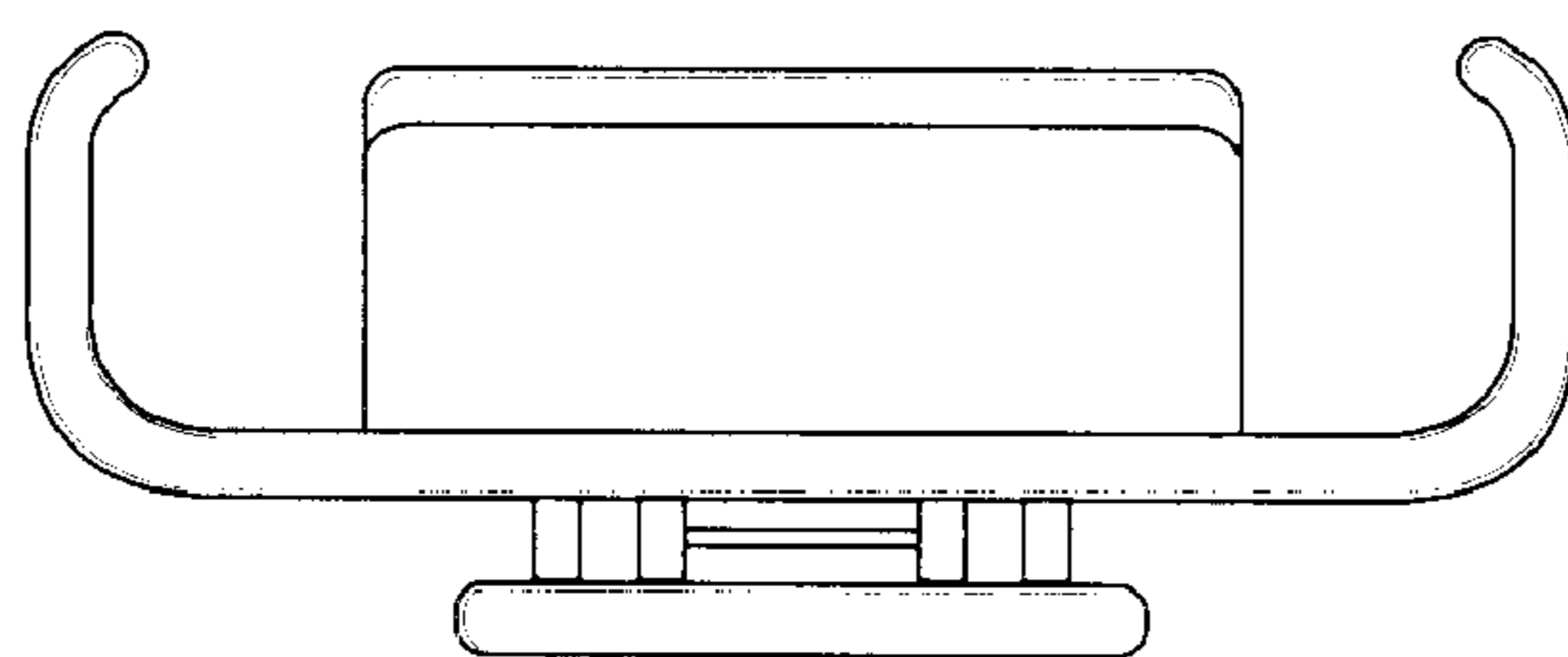
**FIG. 3**



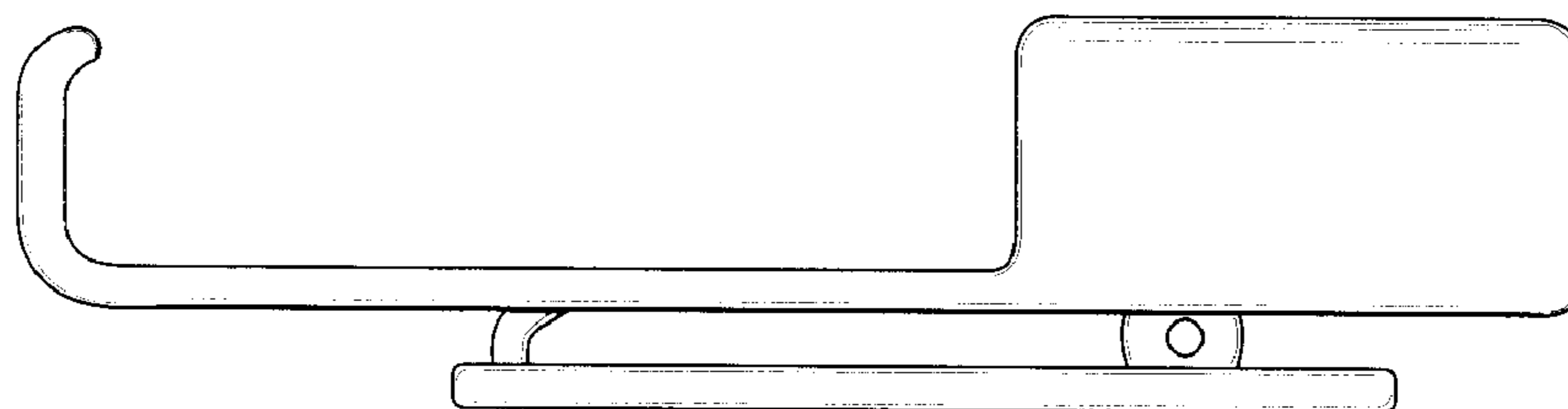
**FIG. 4**



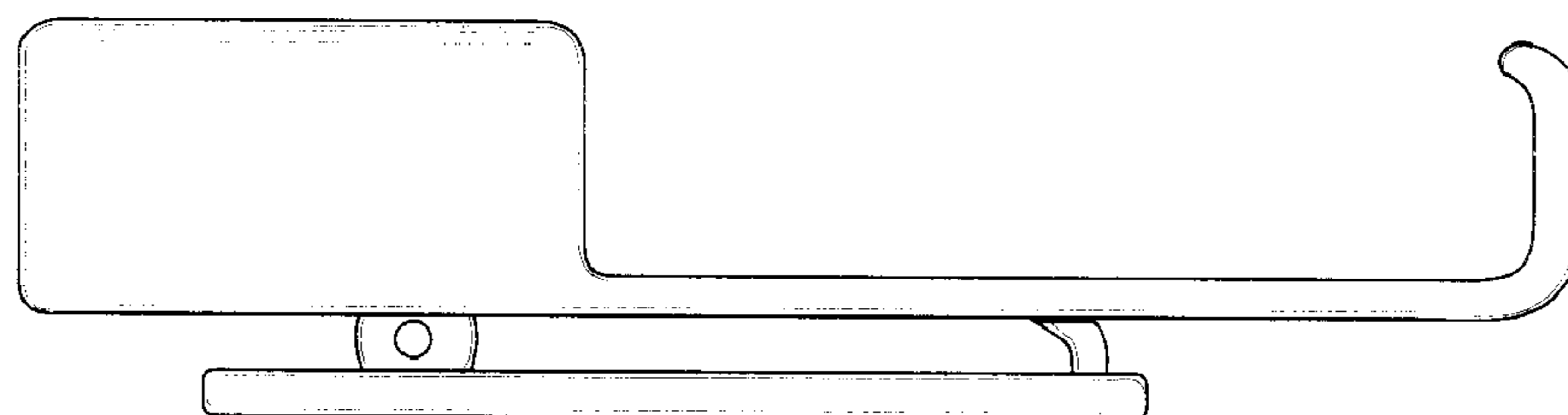
**FIG. 5**



**FIG. 6**



**FIG. 7**



**FIG. 8**