



US00D521228S

(12) **United States Design Patent**  
**Kelsey**

(10) **Patent No.:** **US D521,228 S**

(45) **Date of Patent:** **\*\* May 23, 2006**

(54) **TOGGLE PIECE**

(75) Inventor: **Jonathan Kelsey**, London (GB)

(73) Assignee: **J. Choo (Jersey) Limited**, St. Helier (GB)

(\*\*) Term: **14 Years**

(21) Appl. No.: **29/213,037**

(22) Filed: **Sep. 9, 2004**

(30) **Foreign Application Priority Data**

Apr. 15, 2004 (EM) ..... 000170253-0054

(51) **LOC (8) Cl.** ..... **02-99**

(52) **U.S. Cl.** ..... **D2/976; D2/946**

(58) **Field of Classification Search** ..... D2/925-942,  
D2/946, 971, 976; D11/200, 87, 222-224;  
24/68 T, 68 J, 265 AL; 36/50.1, 136  
See application file for complete search history.

(56) **References Cited**

**U.S. PATENT DOCUMENTS**

- D52,587 S \* 10/1918 Patterson ..... D2/976
- D100,467 S \* 7/1936 Faleck ..... D2/933
- D103,602 S \* 3/1937 Spalsbury ..... D2/976

- D115,421 S \* 6/1939 Philip ..... D11/222
- D124,770 S \* 1/1941 Tuttelman ..... D11/200
- D133,277 S \* 8/1942 Mabel Julianelli et al. .. D2/932
- D149,472 S \* 5/1948 Chernow ..... D11/87
- D172,976 S \* 9/1954 Langdon et al. .... D2/928

\* cited by examiner

*Primary Examiner*—Dominic Simone

(74) *Attorney, Agent, or Firm*—Fross Zelnick Lehrman & Zissu, PC; Lawrence E. Apolzon, Esq.

(57) **CLAIM**

The ornamental design for a toggle piece, as shown and described.

**DESCRIPTION**

FIG. 1 is a front perspective view of a toggle piece showing my design;

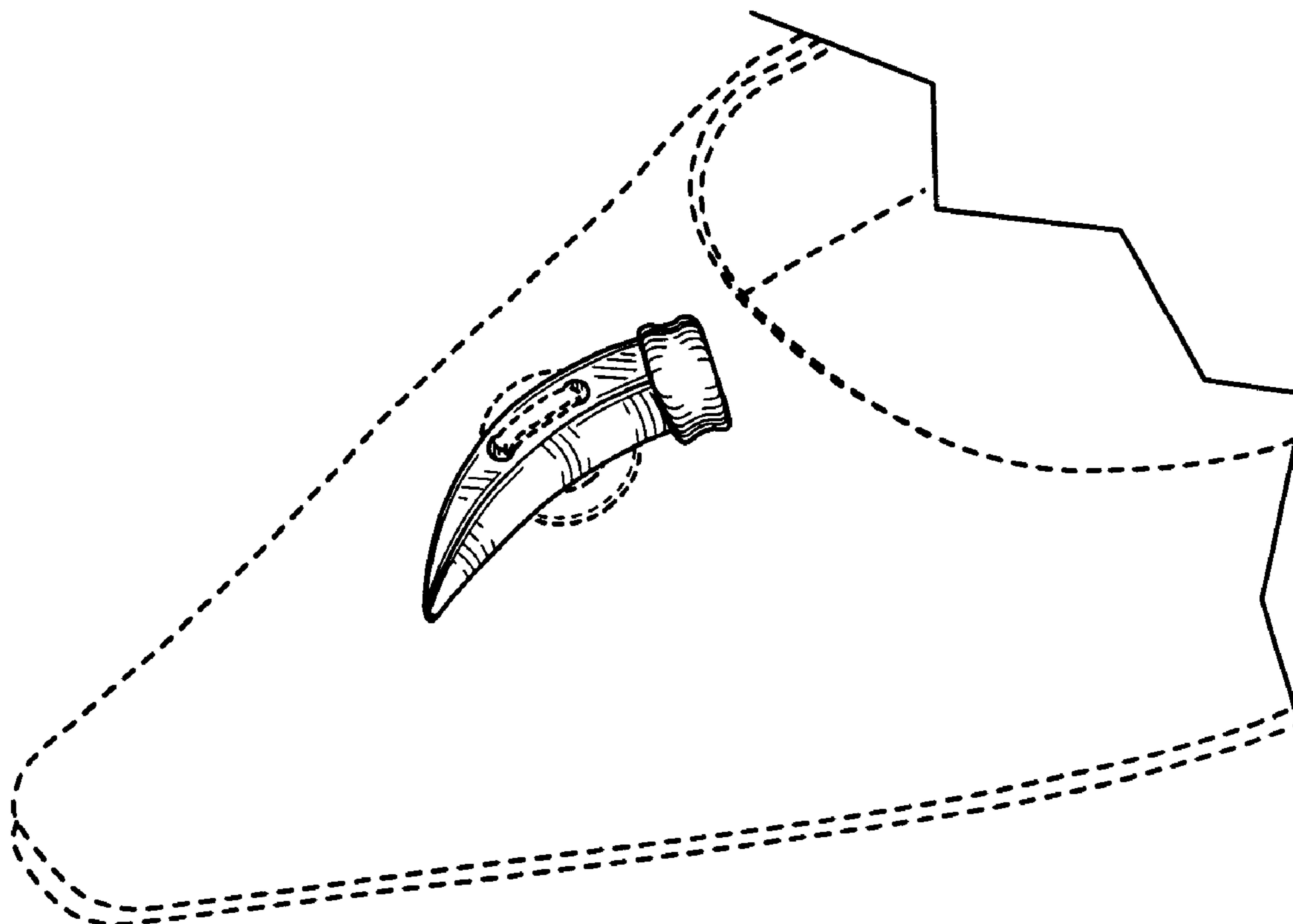
FIG. 2 is a top view of the toggle piece shown in FIG. 1;

FIG. 3 is a left side view of the toggle piece shown in FIG. 1; and,

FIG. 4 is a right side view of the toggle piece shown in FIG. 1.

The broken line showing of the toe, portion of the upper, eyelet, and lace is for illustrative purposes only and forms no part of the claimed design.

**1 Claim, 3 Drawing Sheets**



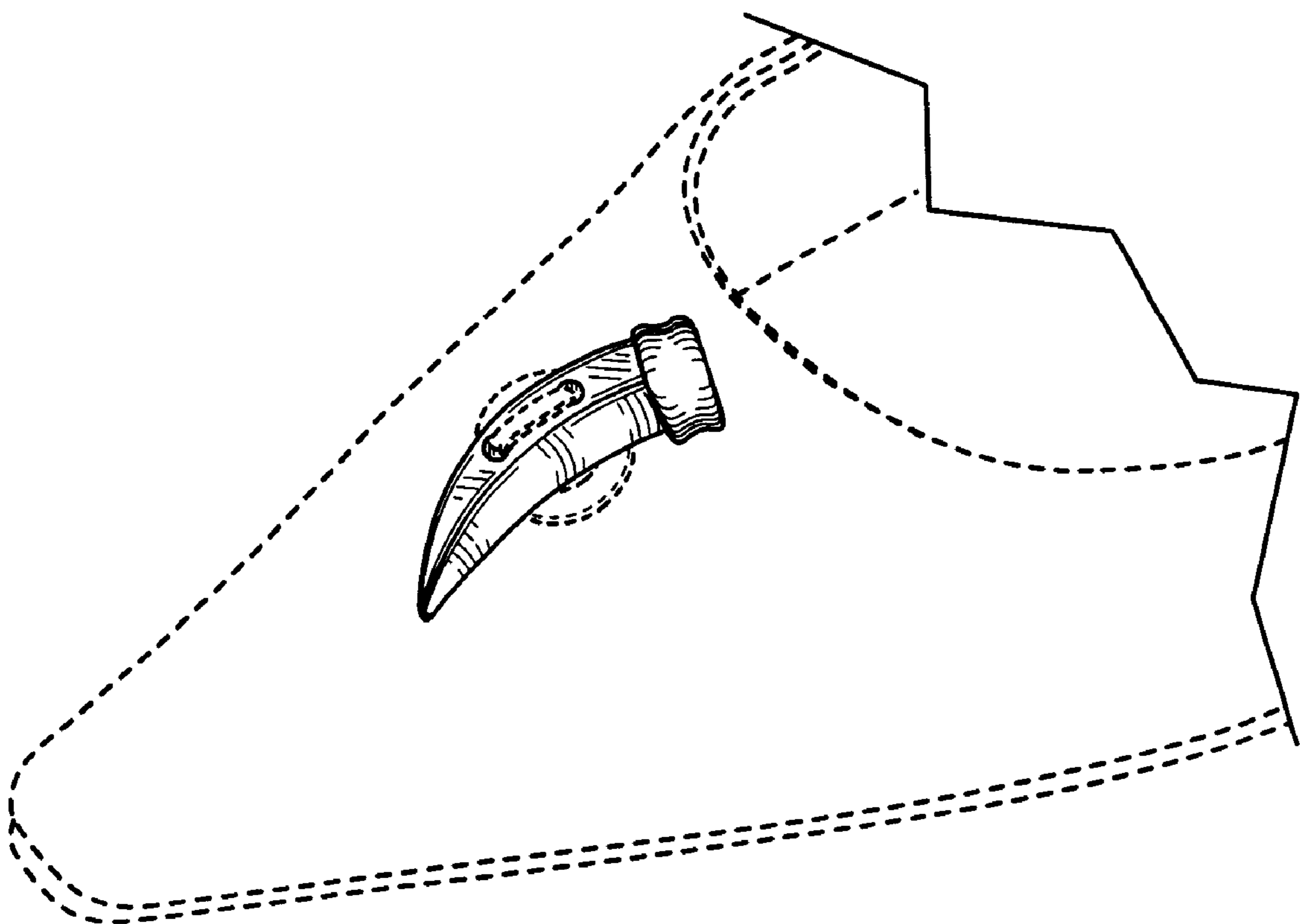


FIG. 1

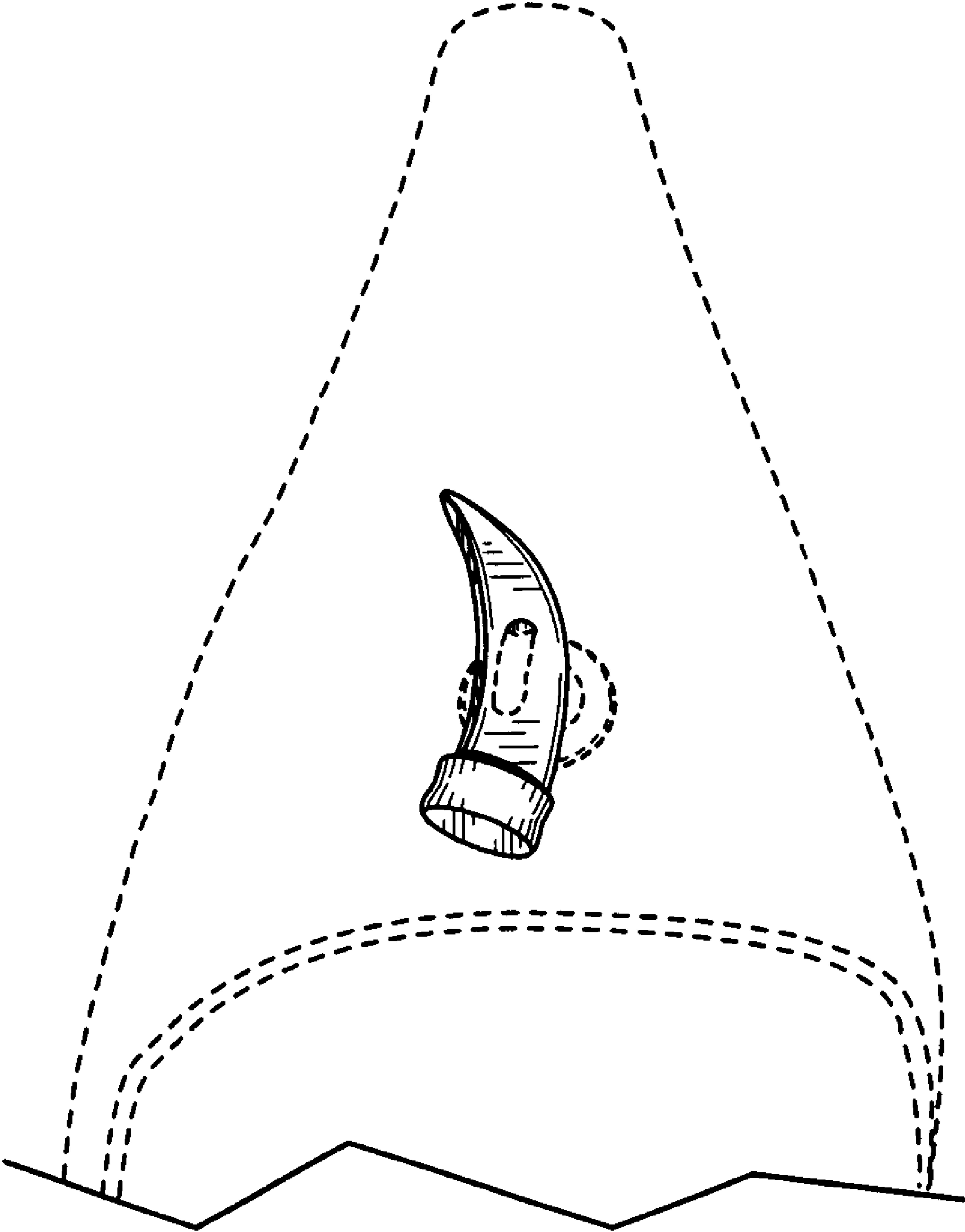


FIG. 2

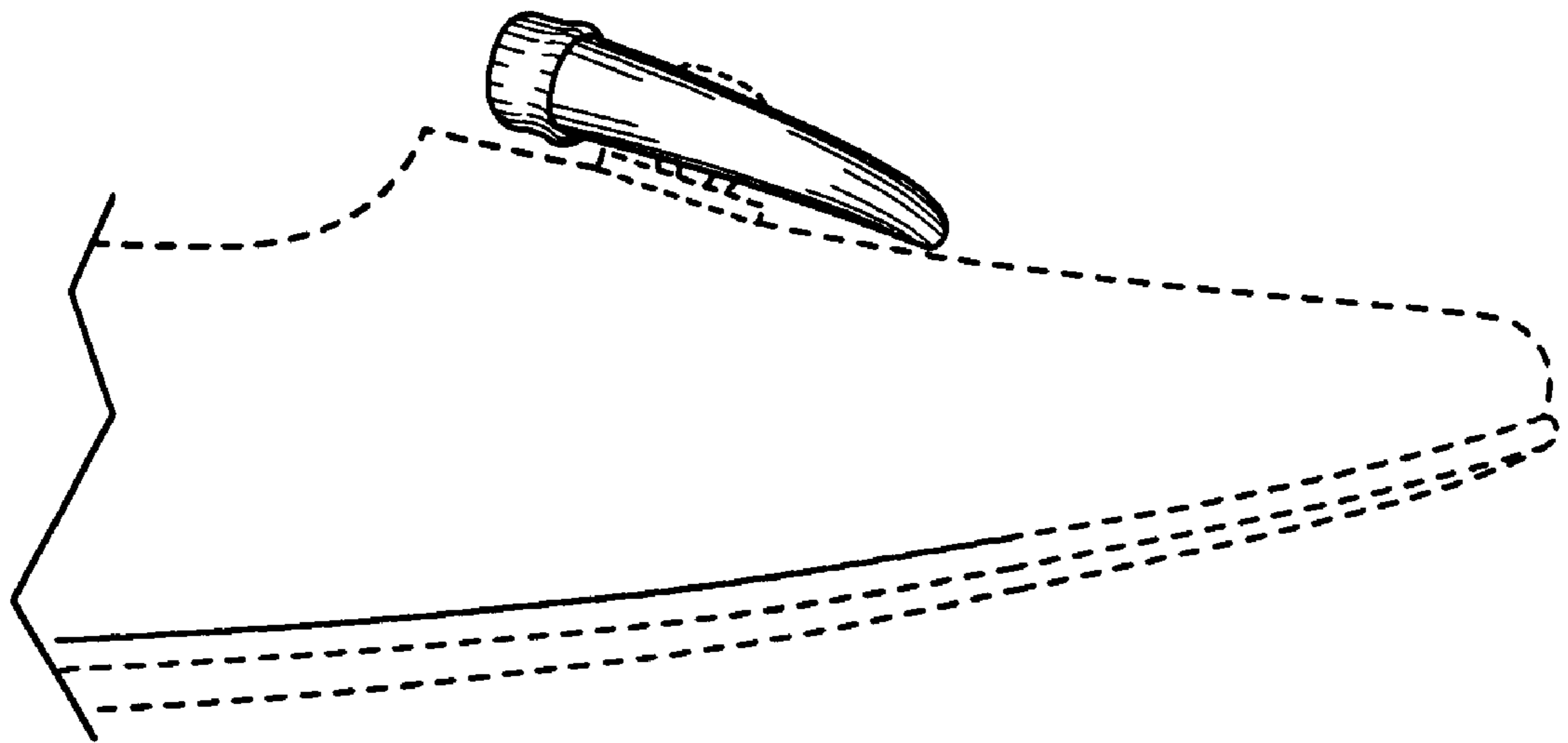


FIG. 3

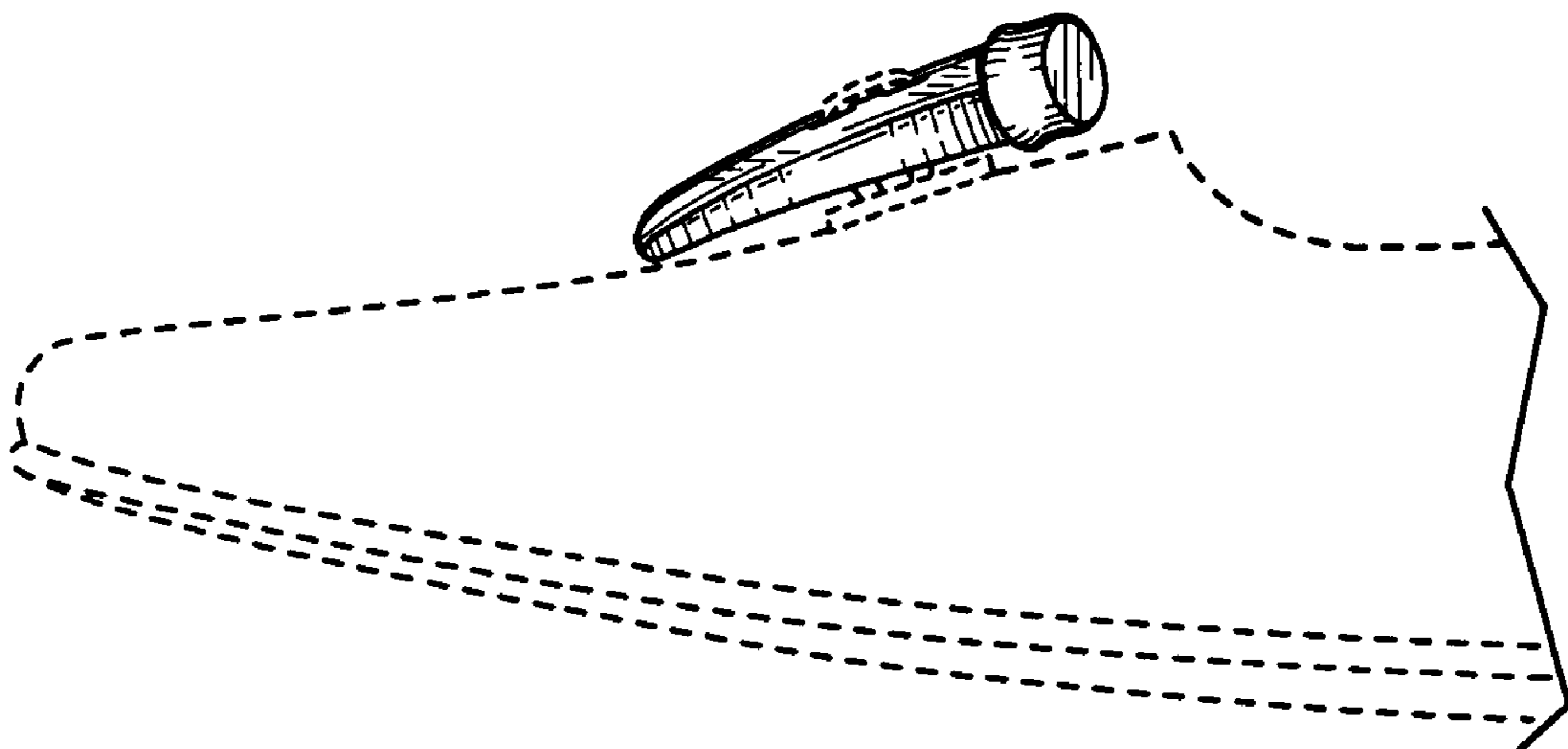


FIG. 4