



US00D521226S

(12) **United States Design Patent**
Douglas et al.

(10) **Patent No.:** **US D521,226 S**

(45) **Date of Patent:** **** May 23, 2006**

(54) **SIDE ELEMENT OF A SHOE UPPER**

(75) Inventors: **Michael Douglas**, New York, NY (US);
Noam Kruger, New York, NY (US)

(73) Assignee: **Ellesse U.S.A. Inc.**, New Hyde Park,
NY (US)

(**) Term: **14 Years**

(21) Appl. No.: **29/232,572**

(22) Filed: **Jun. 20, 2005**

(51) **LOC (8) Cl.** **02-99**

(52) **U.S. Cl.** **D2/972**

(58) **Field of Classification Search** D2/902,
D2/907, 908, 943, 944, 969, 972-974; 36/45,
36/50.1, 77 M, 77 R, 83, 88, 113, 114, 126-131
See application file for complete search history.

(56) **References Cited**

U.S. PATENT DOCUMENTS

D374,551 S	*	10/1996	Hatfield	D2/969
D383,596 S	*	9/1997	Hatfield	D2/972
D391,068 S	*	2/1998	Aveni et al.	D2/972
D409,366 S	*	5/1999	Duggan	D2/972
D421,176 S	*	2/2000	Matis et al.	D2/969
D436,720 S	*	1/2001	Debiase	D2/972

D465,644 S	*	11/2002	Belley et al.	D2/969
D499,242 S	*	12/2004	Adams et al.	D2/969
D503,266 S	*	3/2005	Schoenborn et al.	D2/969
D504,999 S	*	5/2005	Robbins et al.	D2/969
D505,250 S	*	5/2005	Adams et al.	D2/969
D505,253 S	*	5/2005	Rask	D2/972

* cited by examiner

Primary Examiner—Dominic Simone

(74) *Attorney, Agent, or Firm*—Fross Zelnick Lehrman &
Zissu, P.C.; David I. Greenbaum, Esq.

(57) **CLAIM**

The ornamental design for a side element of a shoe upper, as shown and described.

DESCRIPTION

FIG. 1 is a front perspective view of a shoe showing our shoe design;

FIG. 2 is a front view of the shoe shown in FIG. 1;

FIG. 3 is a rear view of the shoe shown in FIG. 1;

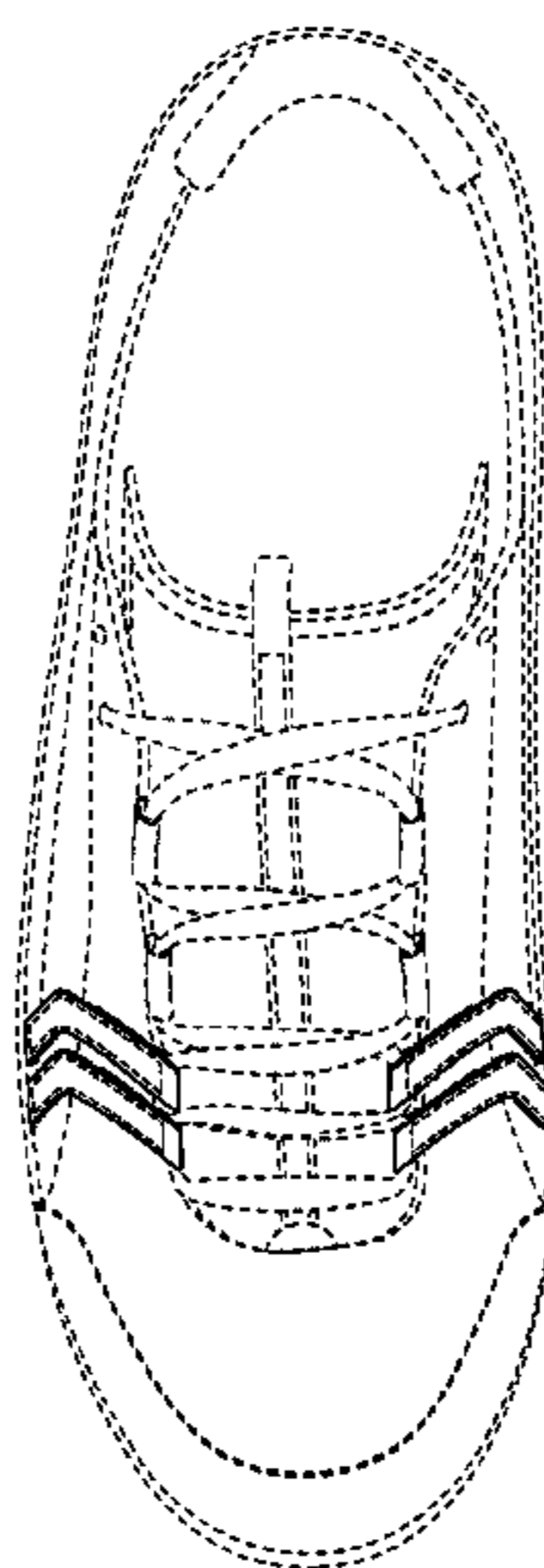
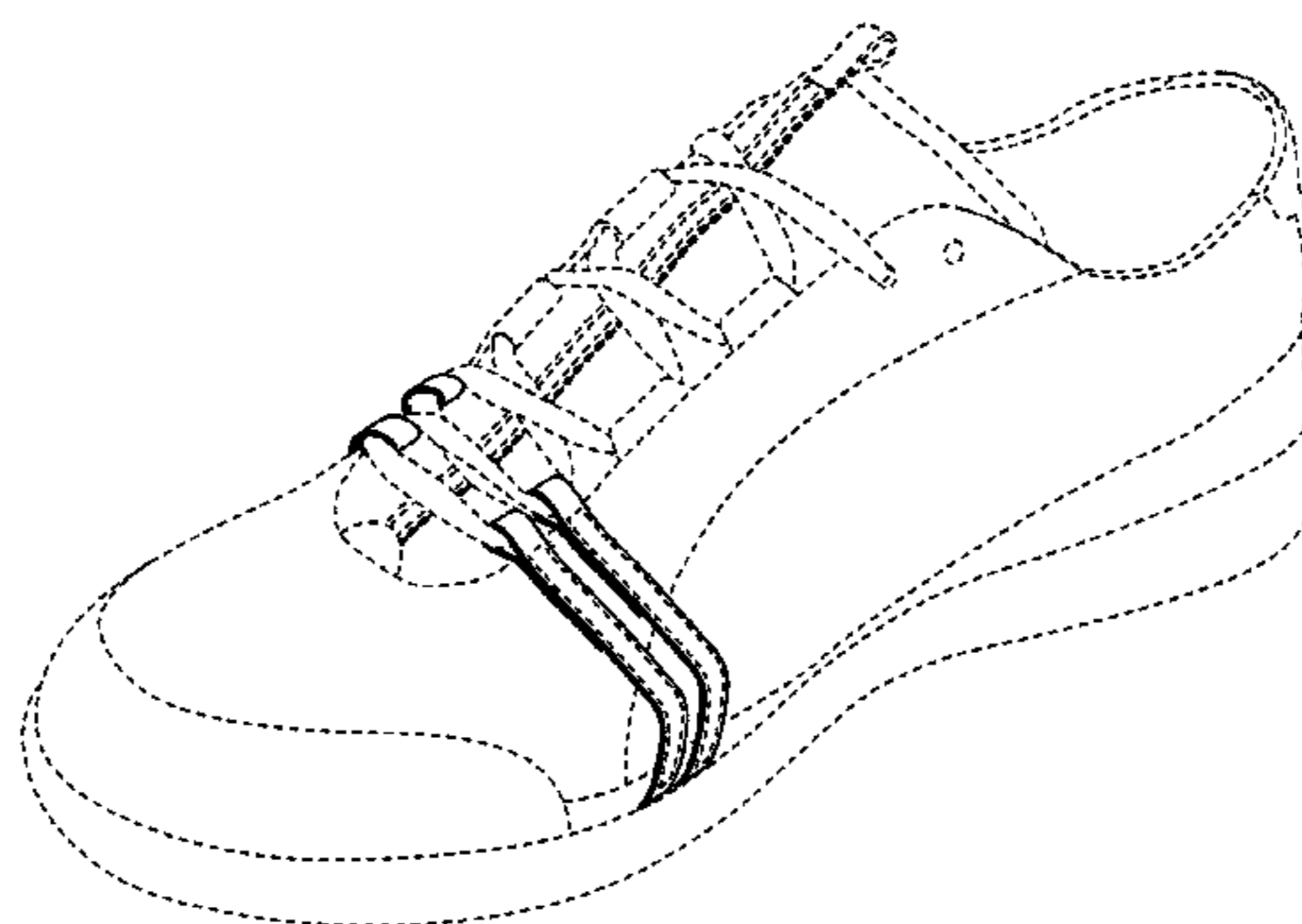
FIG. 4 is a left side view of the shoe shown in FIG. 1;

FIG. 5 is a right side view of the shoe shown in FIG. 1; and,

FIG. 6 is a top view of the shoe shown in FIG. 1.

The broken line showing of the sole and the shoe upper apart from the side element is for illustrative purposes only and forms no part of the claimed design.

1 Claim, 3 Drawing Sheets



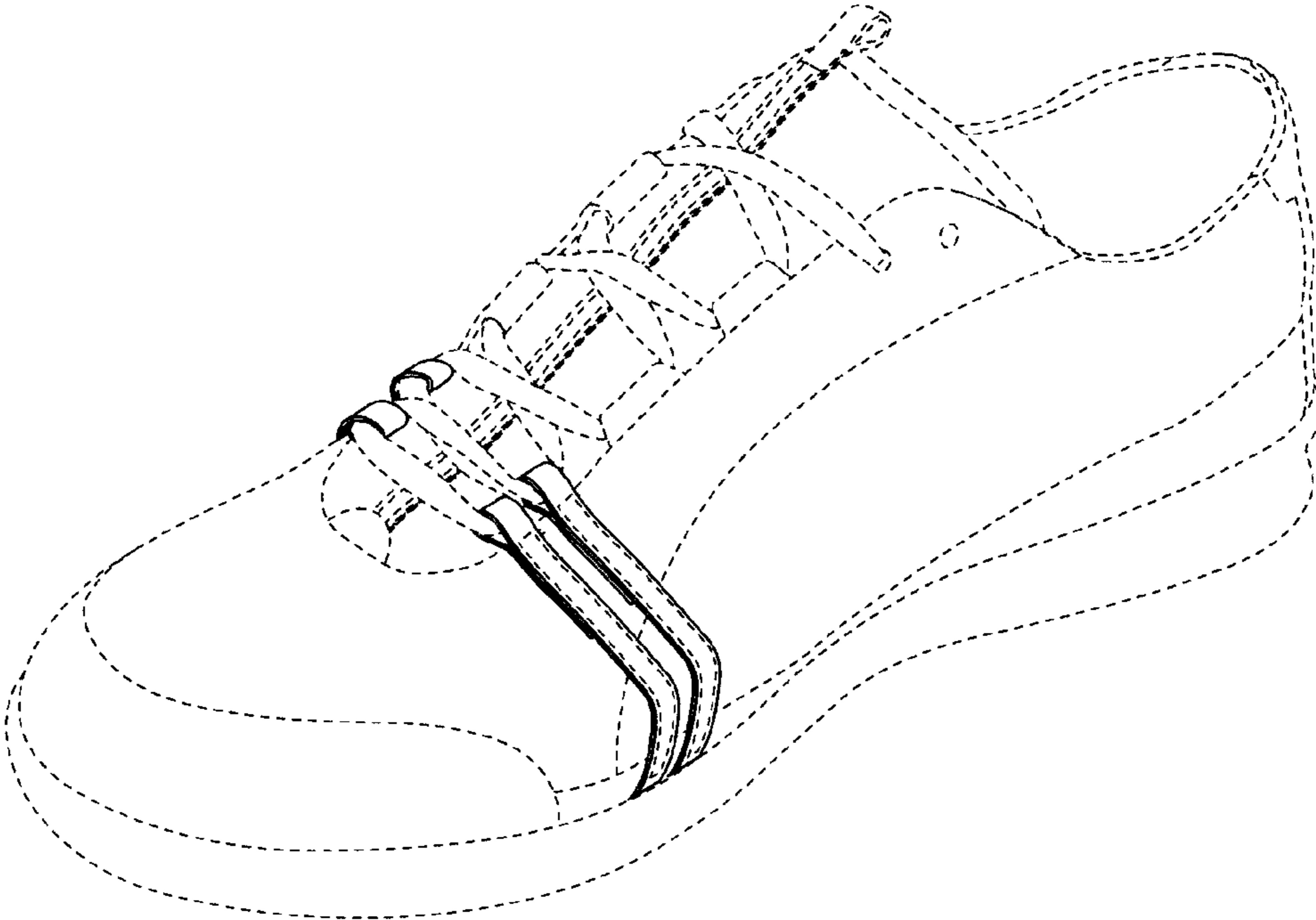


FIG. 1

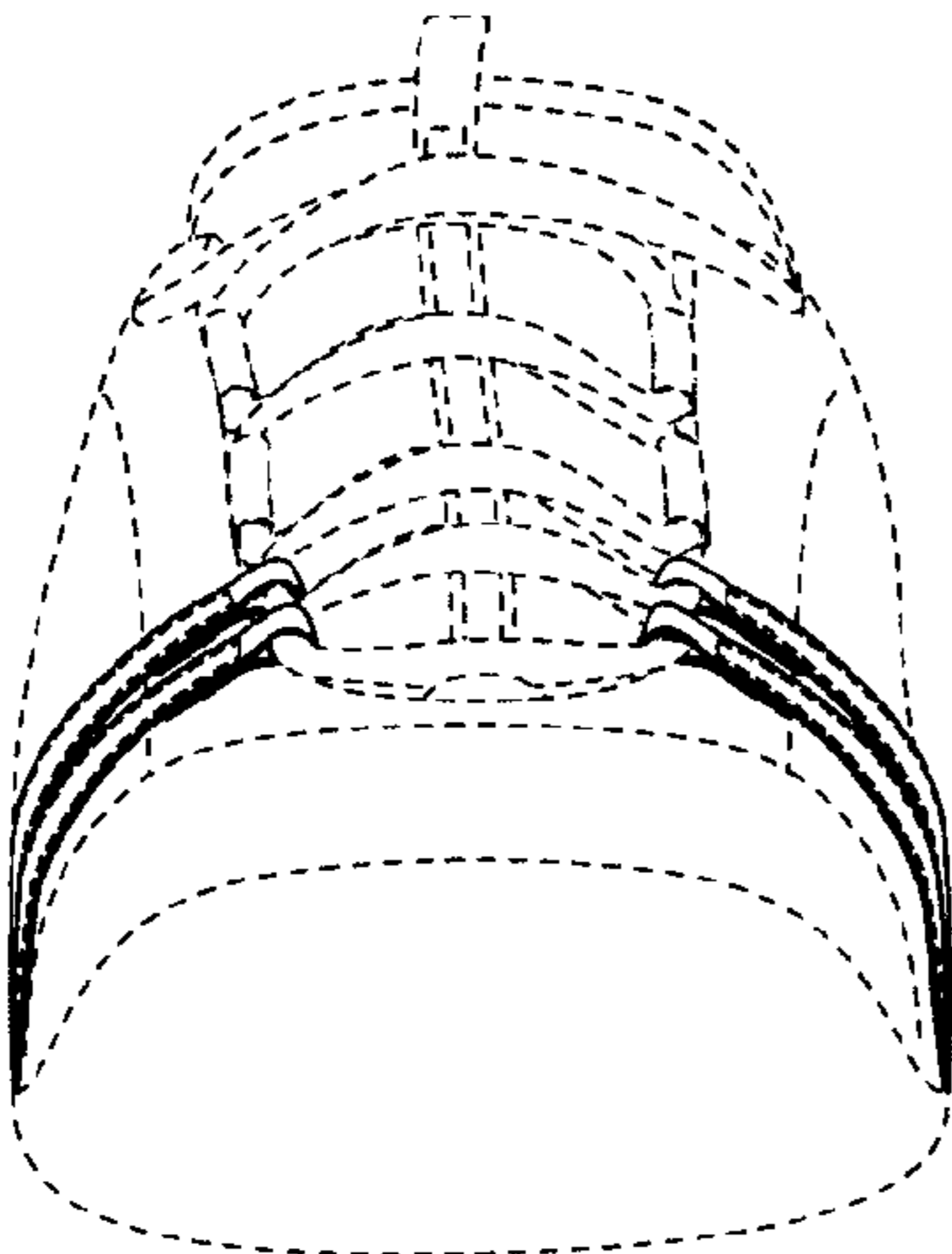


FIG. 2

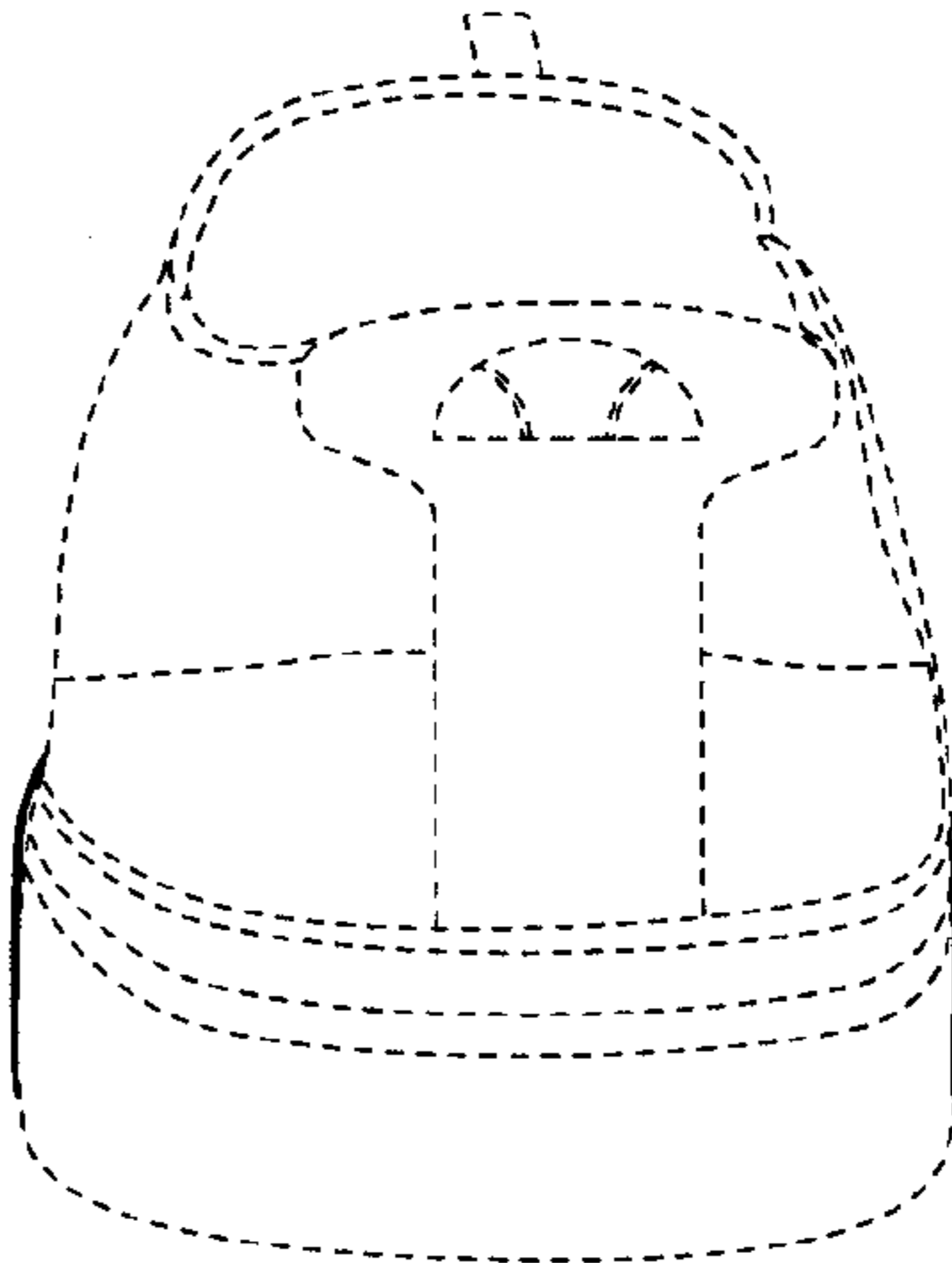


FIG. 3

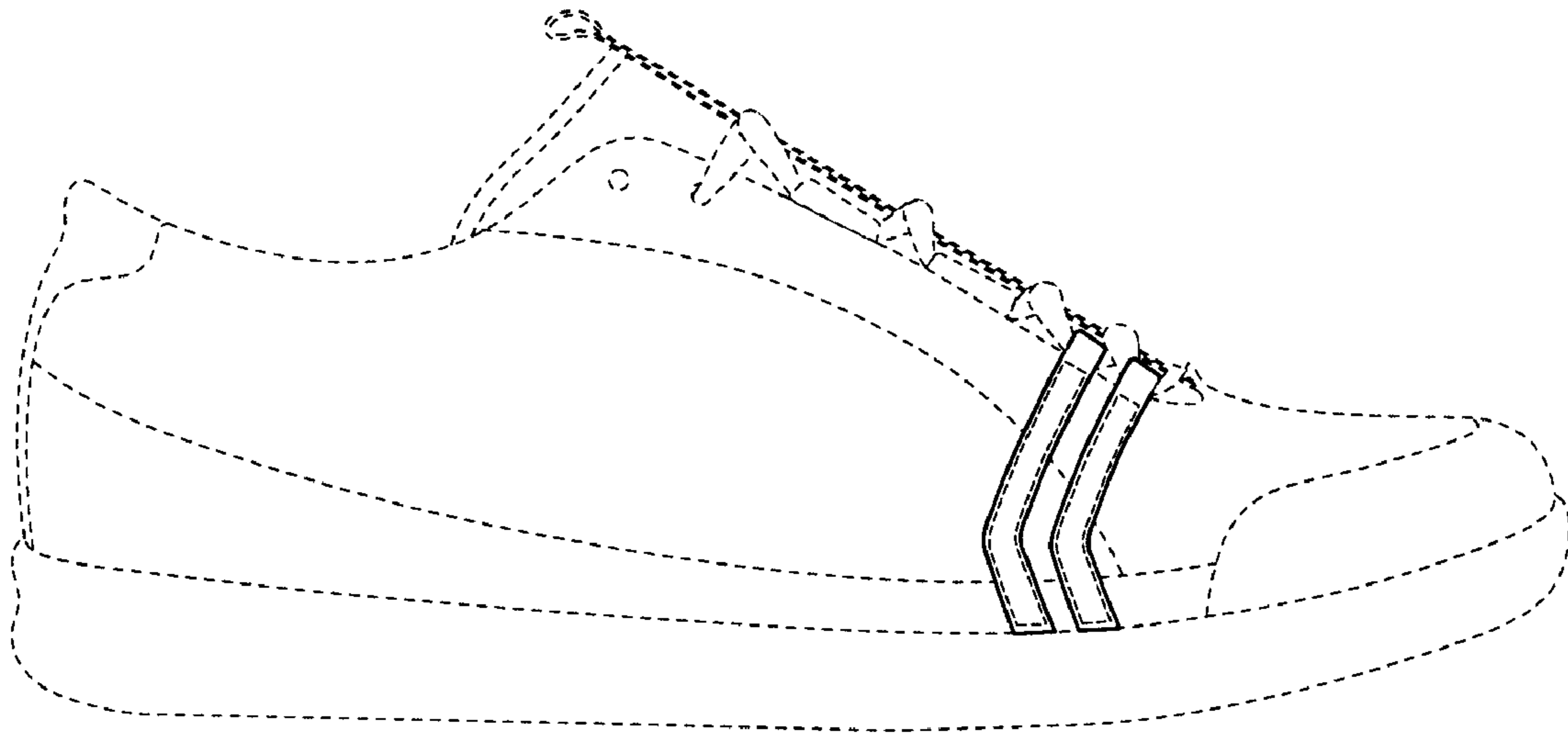


FIG. 4

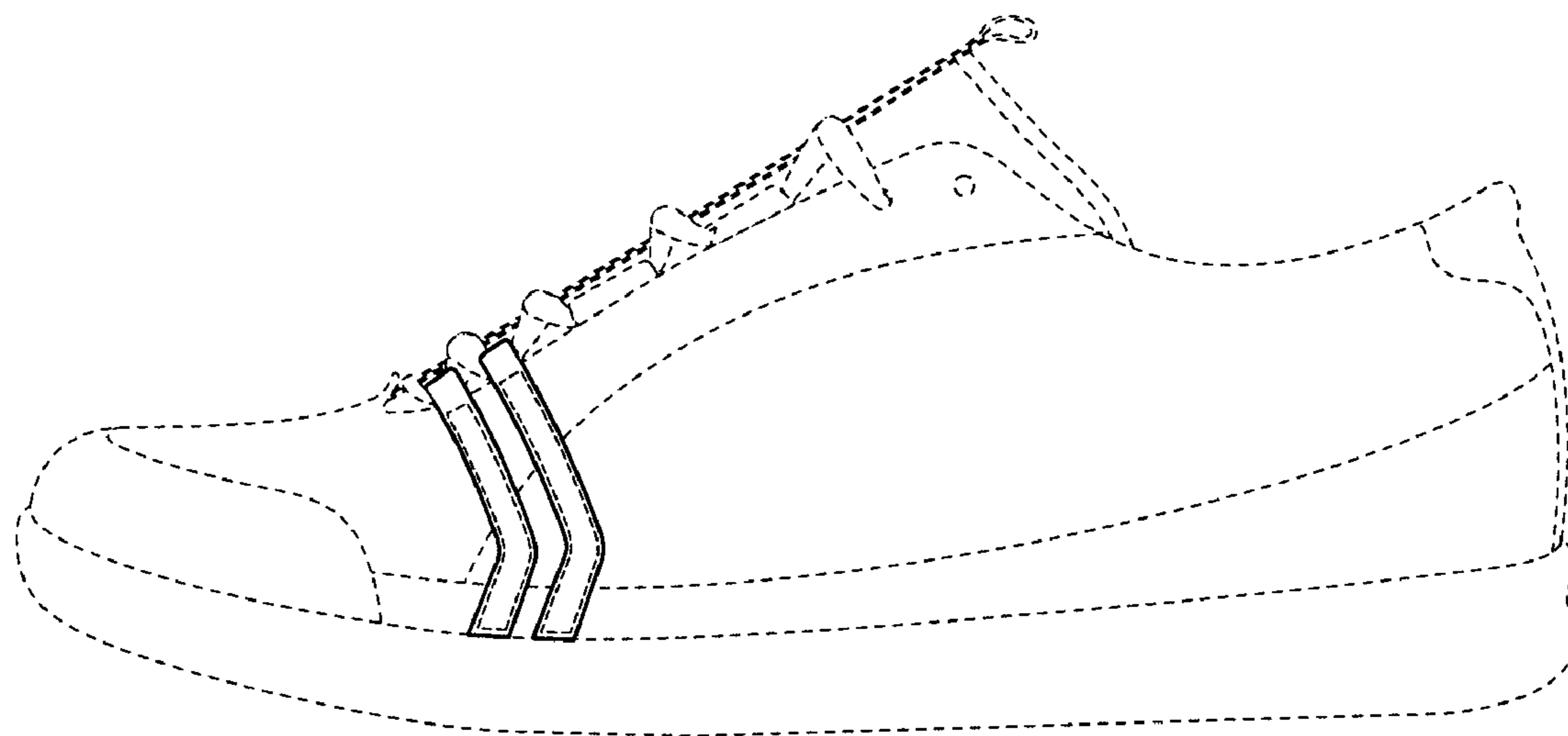


FIG. 5

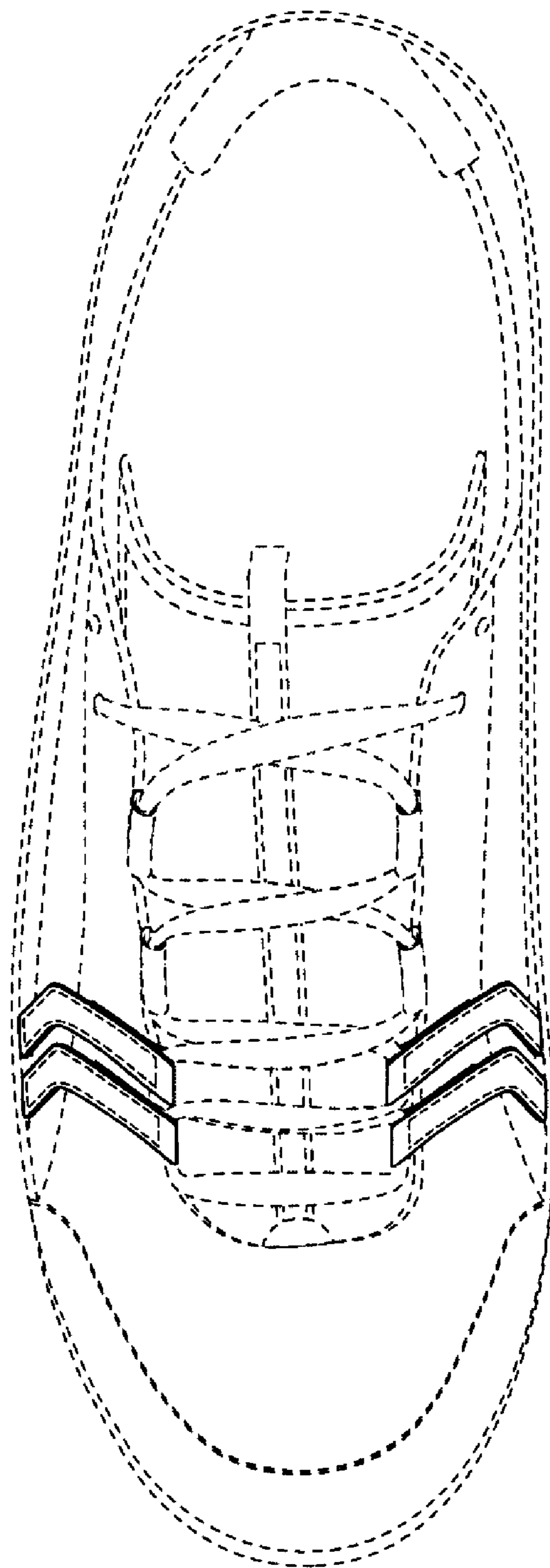


FIG. 6