



US00D521221S

(12) **United States Design Patent**
Choi

(10) **Patent No.:** **US D521,221 S**

(45) **Date of Patent:** **** May 23, 2006**

(54) **SHOE**

D200,697 S * 3/1965 Joiner D2/917
D437,475 S * 2/2001 Kieler D2/916

(75) Inventor: **Sandra Choi**, London (GB)

OTHER PUBLICATIONS

(73) Assignee: **J. Choo (Jersey) Limited**, St. Helier (GB)

Design Patent Application Serial Nos.: 29/205,358; 29/205,712; (Cited by Applicant).*

(**) Term: **14 Years**

* cited by examiner

(21) Appl. No.: **29/205,716**

Primary Examiner—Dominic Simone

(22) Filed: **May 18, 2004**

(74) *Attorney, Agent, or Firm*—Fross Zelnick Lehrman & Zissu, P.C.; Lawrence E. Apolzon, Esq.

(30) **Foreign Application Priority Data**

(57) **CLAIM**

Nov. 28, 2003 (EM) 111232-089

The ornamental design for a shoe, as shown and described.

(51) **LOC (8) Cl.** **02-99**

DESCRIPTION

(52) **U.S. Cl.** **D2/971**

(58) **Field of Classification Search** D2/916–918,
D2/969, 971, 976; 36/11.5

FIG. 1 is a front perspective view of a shoe showing my shoe design;

See application file for complete search history.

FIG. 2 is a left side view of the shoe shown in FIG. 1; and, FIG. 3 is a right side view of the shoe shown in FIG. 1.

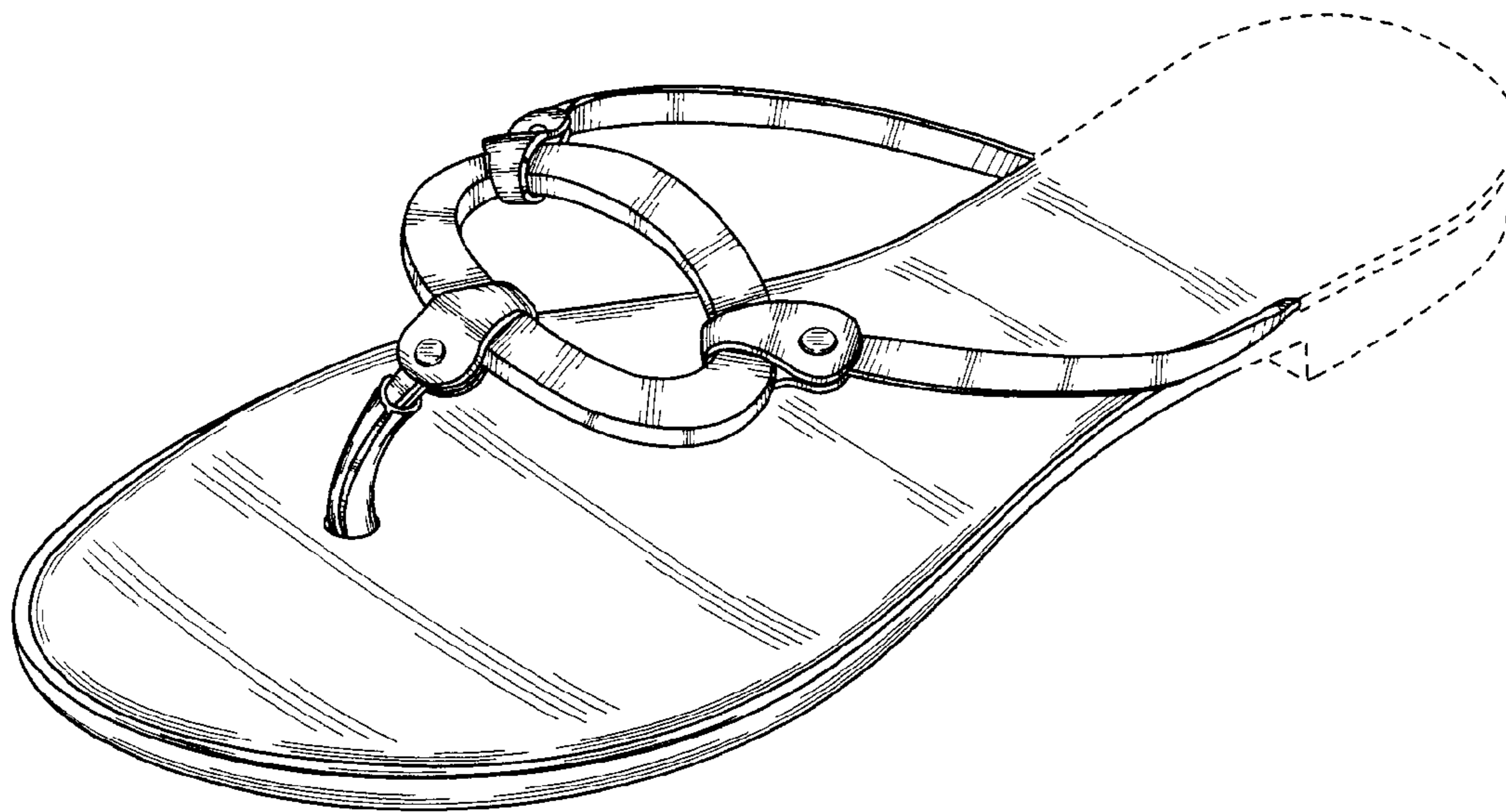
The broken line showing of the heel and portion of the upper is for illustrative purposes only and forms no part of the claimed design.

(56) **References Cited**

U.S. PATENT DOCUMENTS

D94,527 S * 2/1935 Apt D2/932

1 Claim, 3 Drawing Sheets



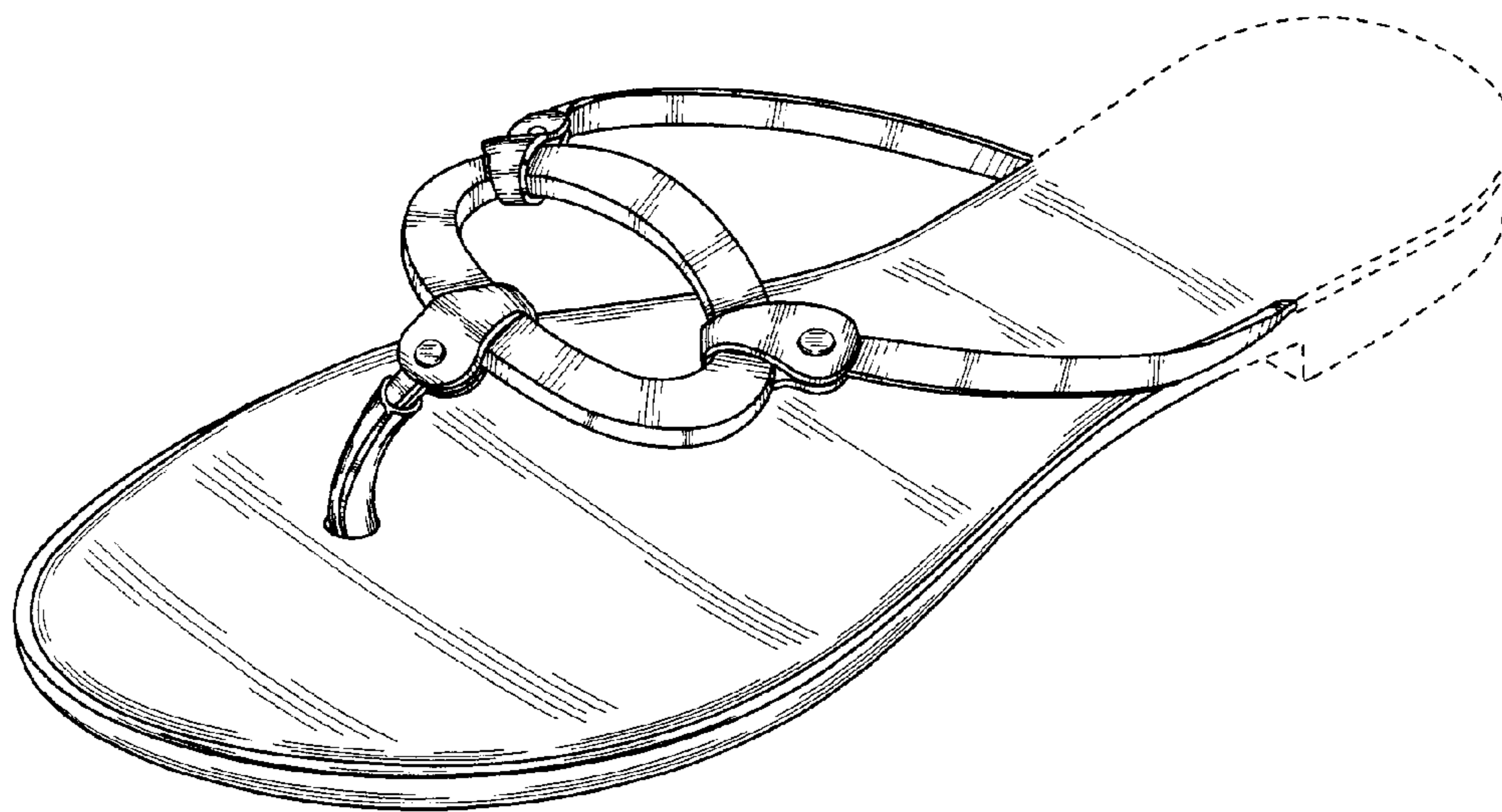


FIG. 1

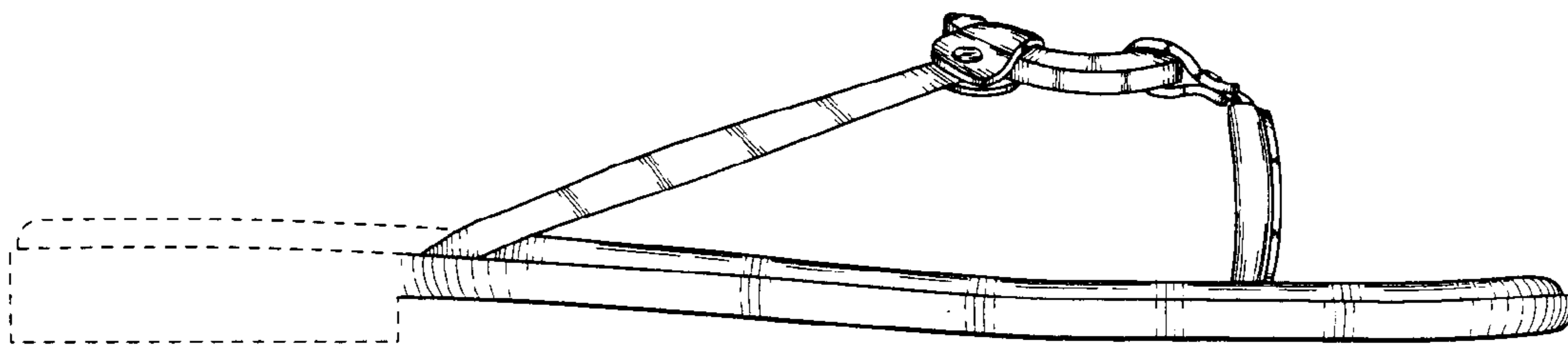


FIG. 2

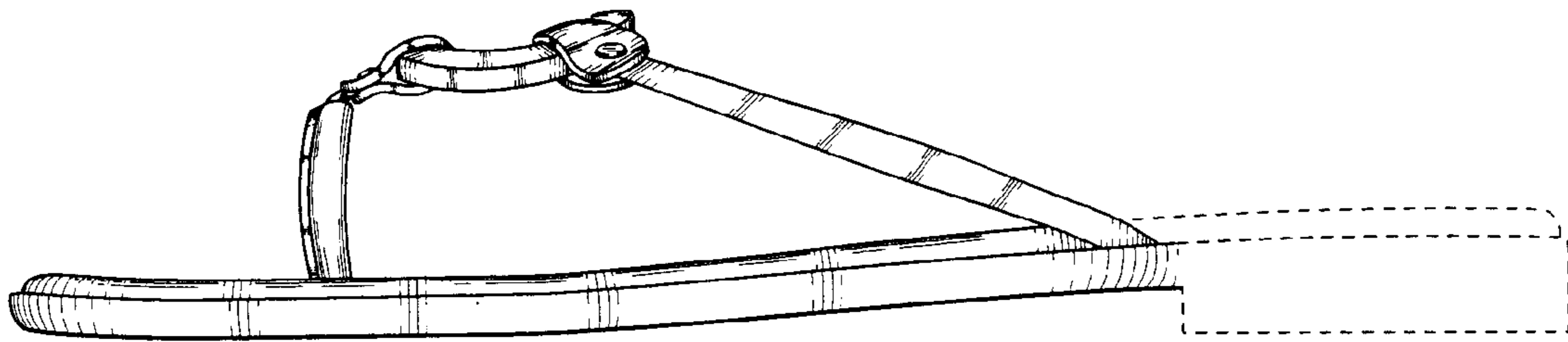


FIG. 3