



US00D521211S

(12) **United States Design Patent**  
**Park**

(10) **Patent No.:** **US D521,211 S**

(45) **Date of Patent:** **\*\* May 23, 2006**

(54) **HAT BRIM**

2003/0084499 A1 \* 5/2003 Park ..... 2/195.6  
2003/0106127 A1 \* 6/2003 Shwartz et al. .... 2/12

(76) Inventor: **Sung-Yang Park**, 601 Commerical Ave., Old Tappan, NJ (US) 07072

**OTHER PUBLICATIONS**

(\*\*) Term: **14 Years**

3-Stripes ClimaCool Cap thestore.adidas.com.\*  
NFL Equipment Dallas Cowboys Official 2005 Draft Day Flex Cap <http://store.reebok.com/family/index.jsp?categoryId=1378087&cp=716563.716619>.\*

(21) Appl. No.: **29/214,014**

\* cited by examiner

(22) Filed: **Sep. 27, 2004**

(51) **LOC (8) Cl.** ..... **02-03**

*Primary Examiner*—Robert M. Spear

(52) **U.S. Cl.** ..... **D2/893**

*Assistant Examiner*—Mary Ann Calabrese

(58) **Field of Classification Search** ..... D2/865,  
D2/869, 872, 876, 879, 882, 886, 891, 893;  
2/12, 171.1, 172, 175.1, 175.3, 175.5, 195.1,  
2/195.2, 195.6, 195.7, 182.1, 209.12, 209.13  
See application file for complete search history.

(57) **CLAIM**

The ornamental design for a hat brim, as shown and described.

(56) **References Cited**

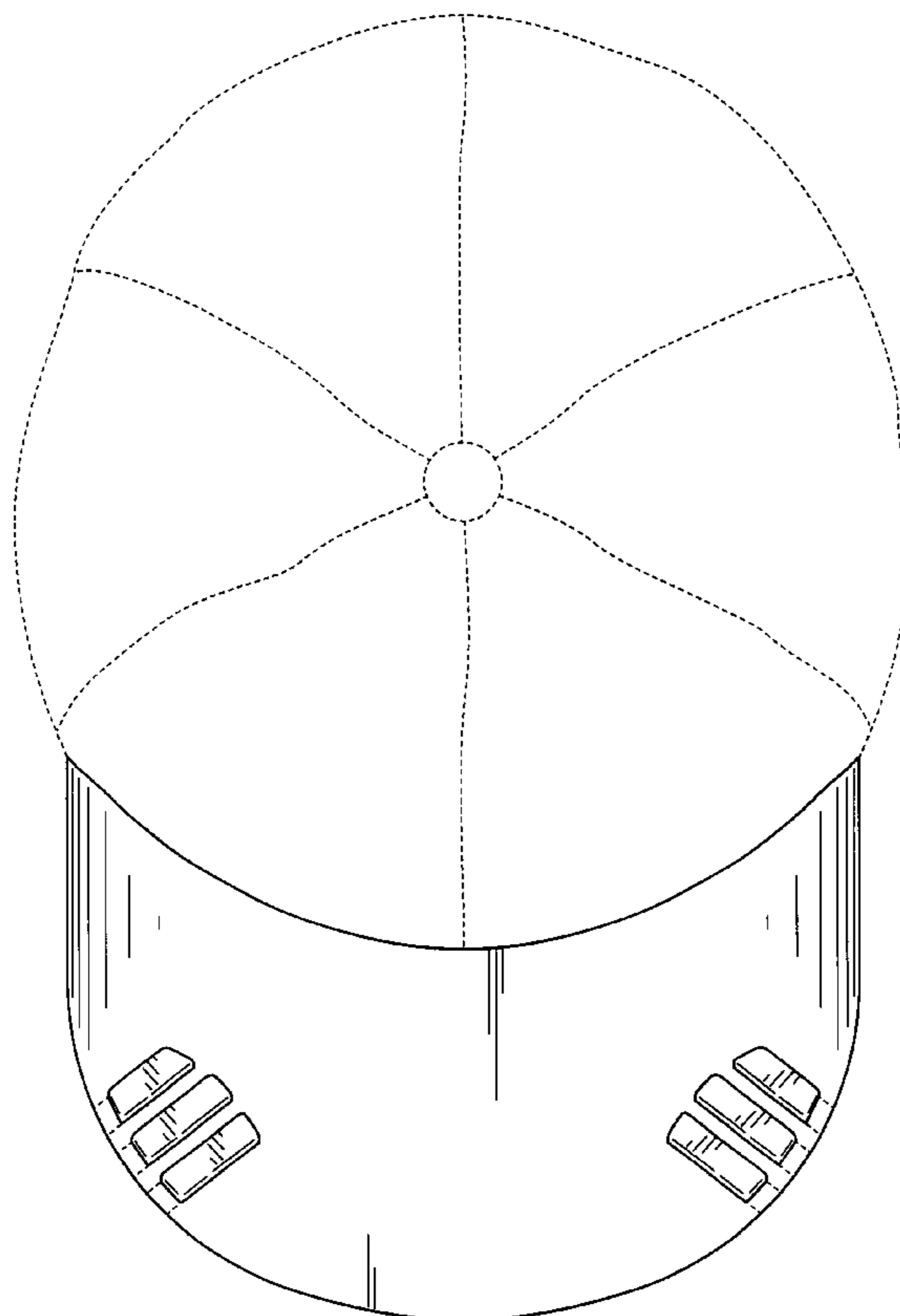
**DESCRIPTION**

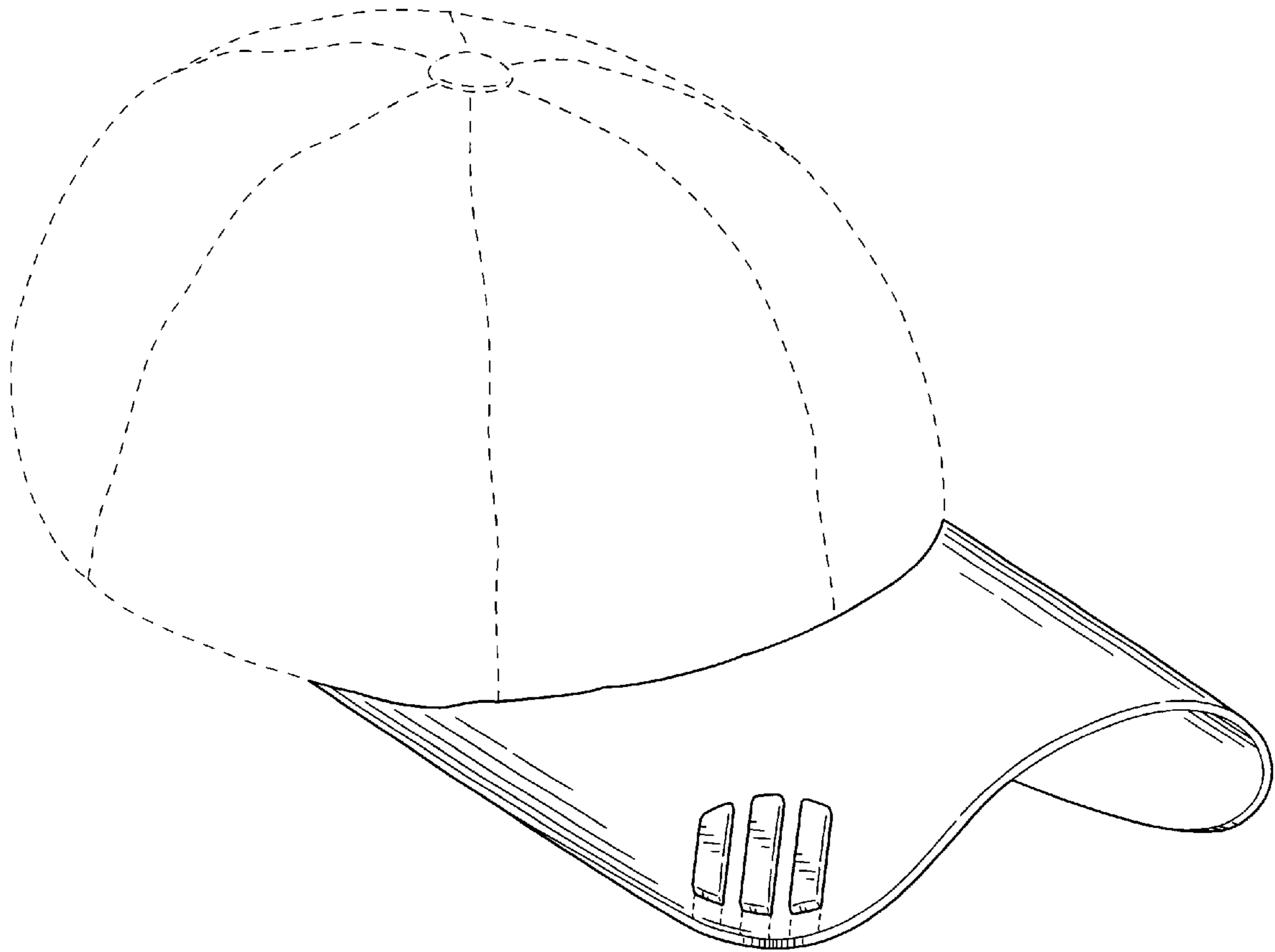
**U.S. PATENT DOCUMENTS**

D358,248 S	*	5/1995	Kercher	.....	D2/893
5,996,116 A	*	12/1999	Tate	.....	2/12
6,044,495 A	*	4/2000	Ellman et al.	.....	2/195.1
D440,382 S	*	4/2001	Scheinbaum	.....	D2/882
6,449,773 B1	*	9/2002	Shwartz et al.	.....	2/195.1
D469,243 S	*	1/2003	Park	.....	D2/882
D474,328 S	*	5/2003	Park	.....	D2/893
D478,712 S	*	8/2003	Kirby	.....	D2/893
D483,174 S	*	12/2003	Lee	.....	D2/893
D492,471 S	*	7/2004	Park	.....	D2/893
D502,589 S	*	3/2005	Lee	.....	D2/876

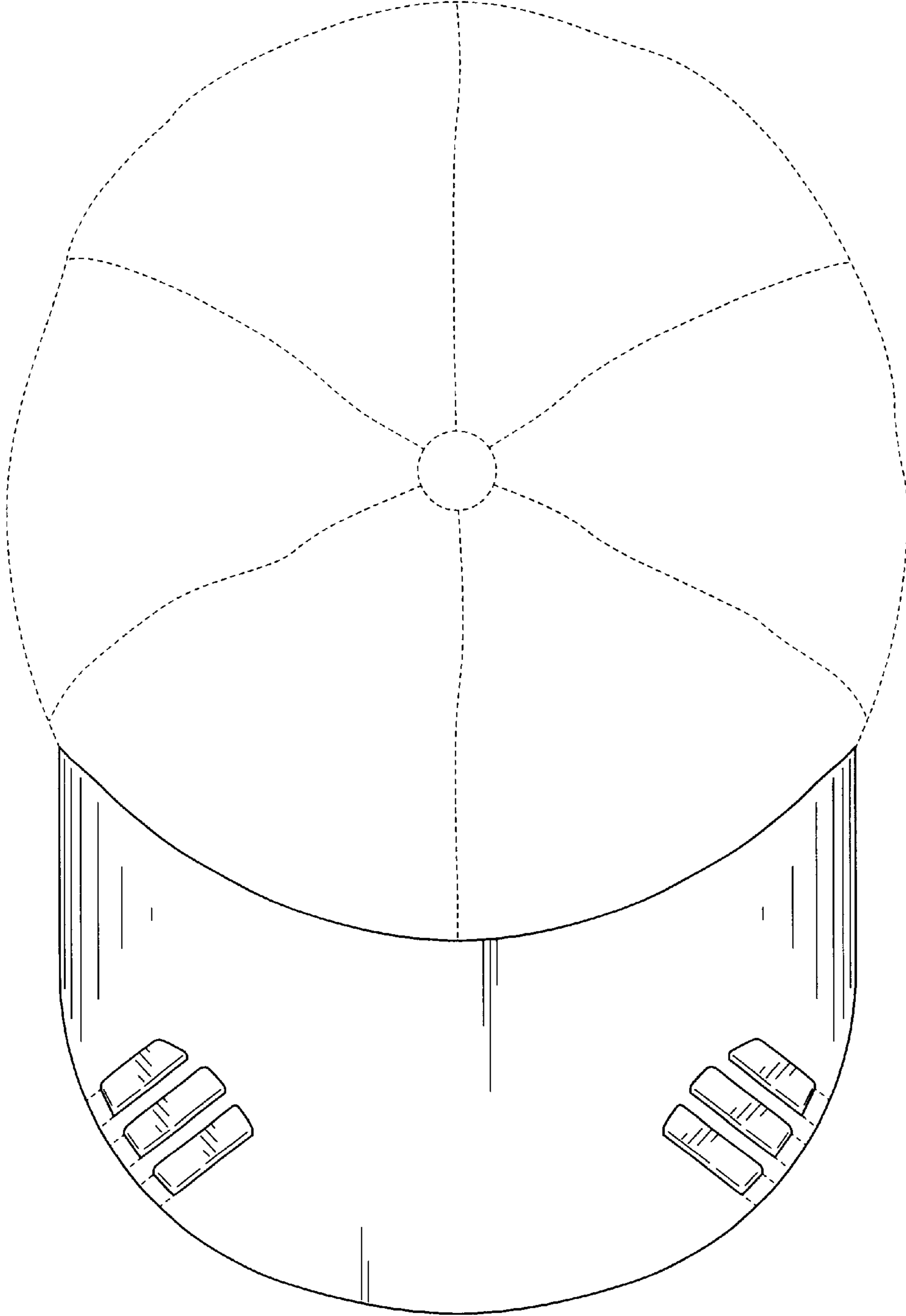
FIG. 1 is a perspective of a first embodiment of a hat brim according to the invention;  
FIG. 2 is a top plan view of the hat brim of FIG. 1;  
FIG. 3 is a front elevational view of the hat brim of FIG. 1;  
FIG. 4 is a side elevational view of the hat brim of FIG. 1;  
FIG. 5 is a rear elevational perspective view of the hat brim of FIG. 1; and,  
FIG. 6 is a bottom, plan view of the hat brim of FIG. 1.  
The broken line portions of the above drawings are for illustrative purposes only and do not form part of the design claimed herein.

**1 Claim, 6 Drawing Sheets**

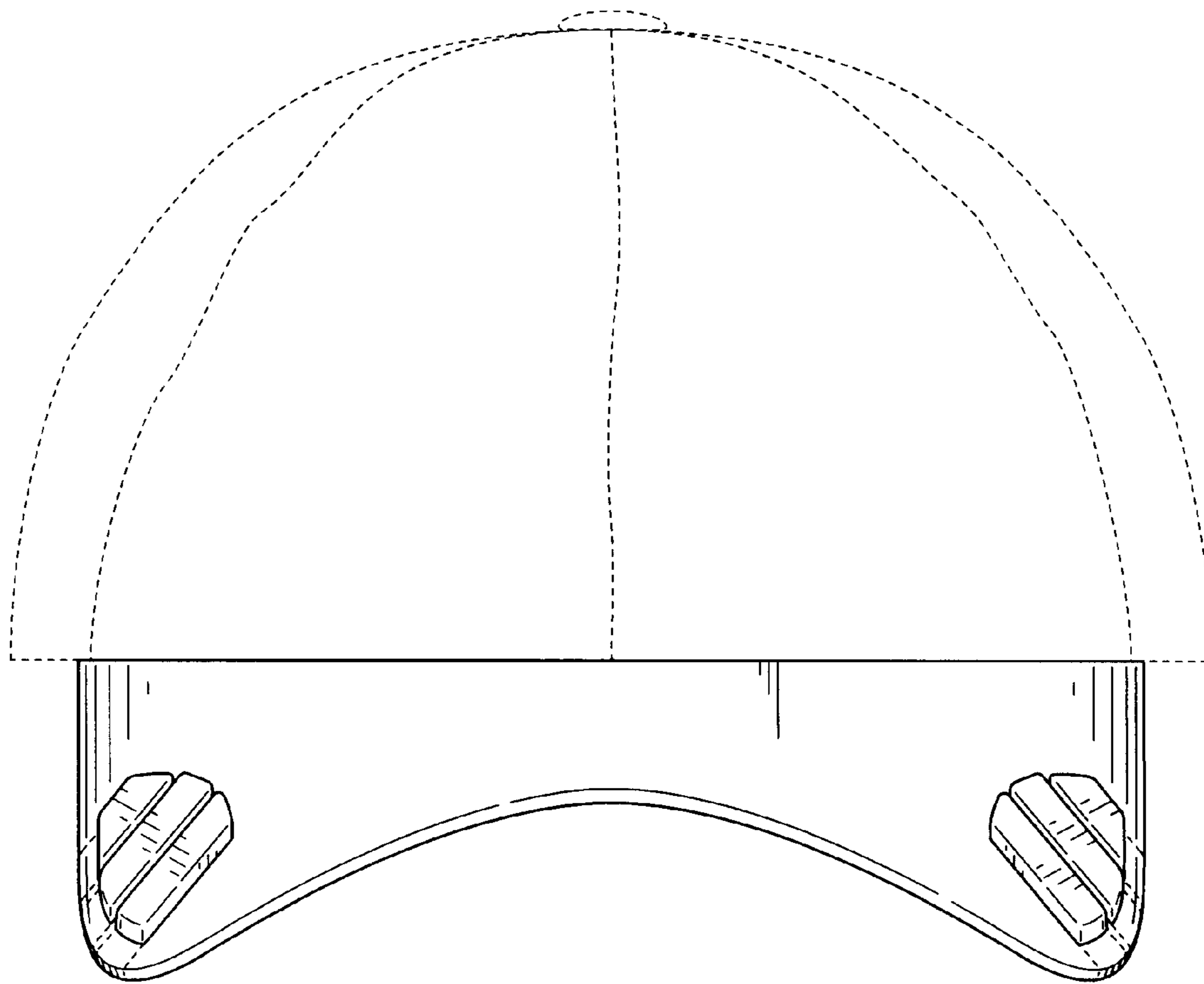




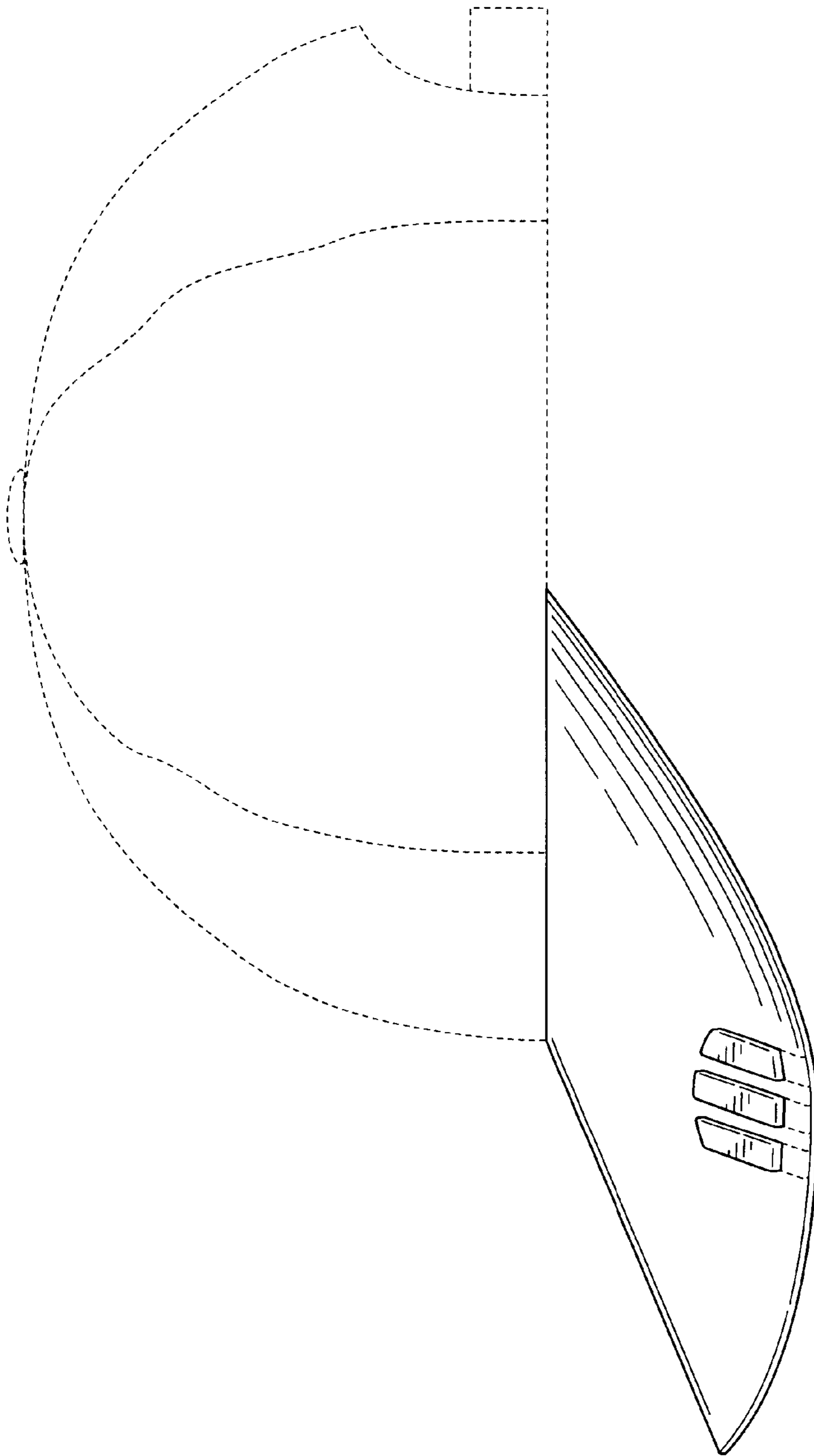
**FIG. 1**



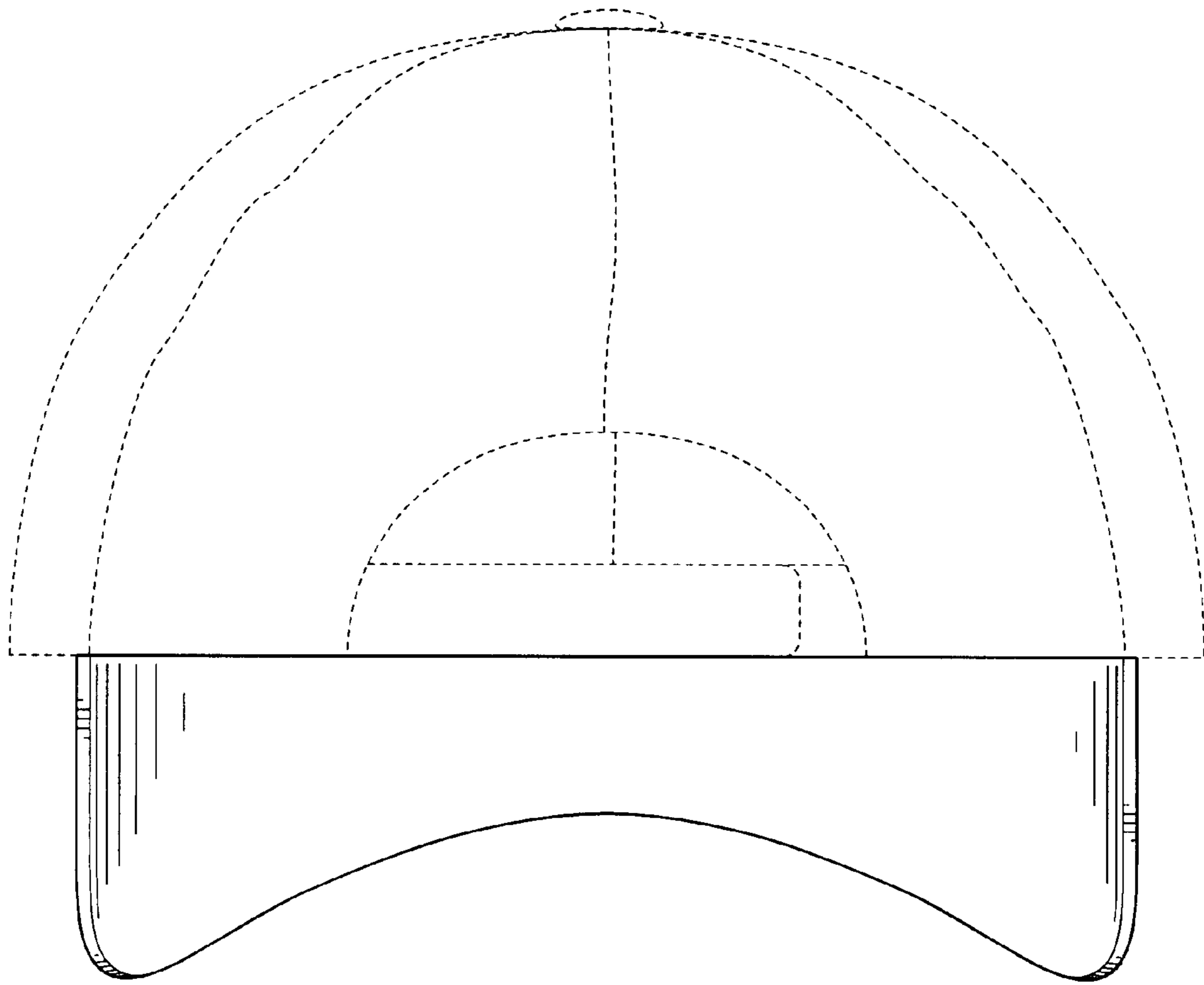
**FIG. 2**



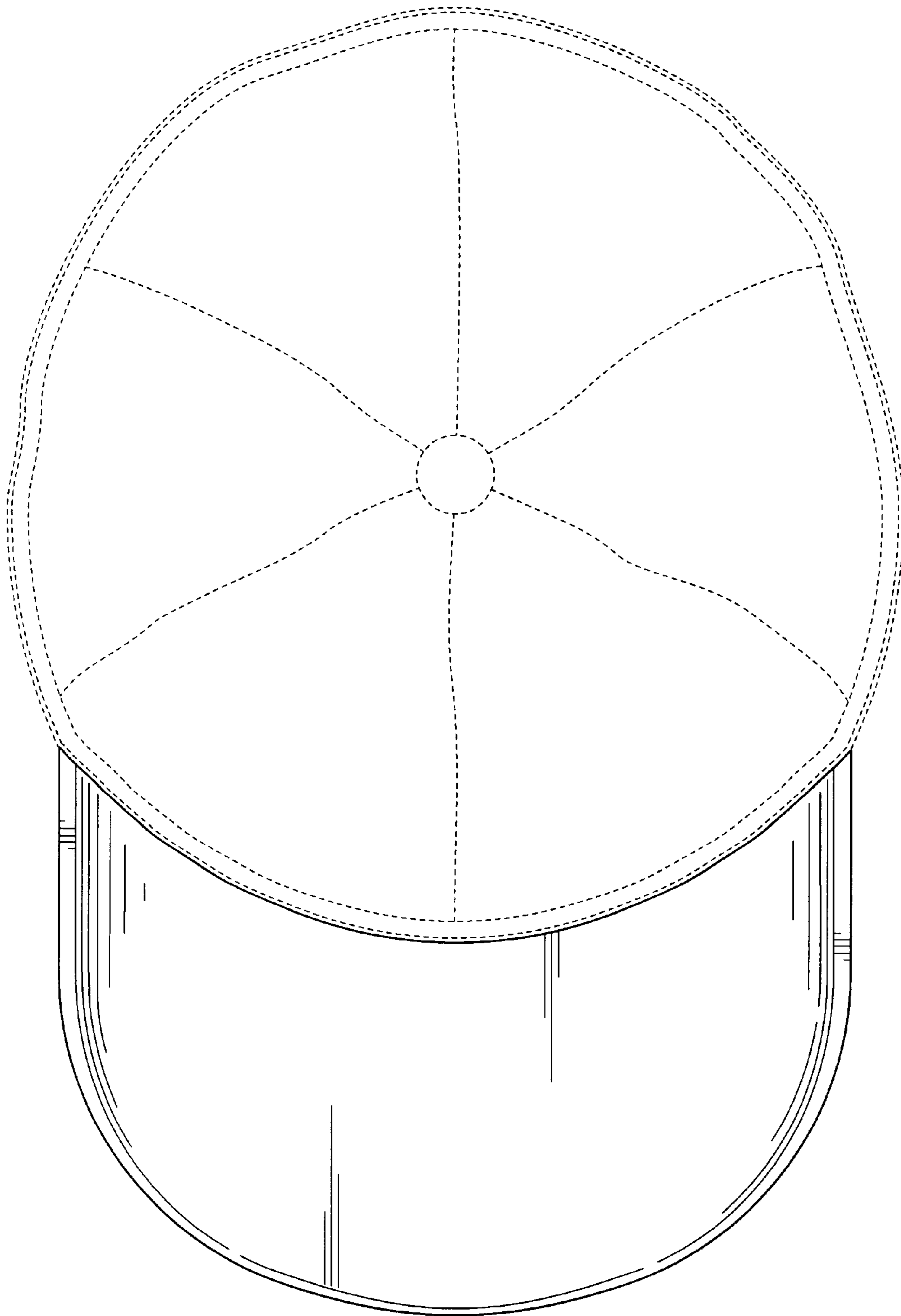
**FIG. 3**



**FIG. 4**



**FIG. 5**



**FIG. 6**