

US00D521208S

(12) **United States Design Patent**
France

(10) **Patent No.:** **US D521,208 S**

(45) **Date of Patent:** **** May 16, 2006**

(54) **PALLET**

(75) Inventor: **John France**, Hollywell (AU)

(73) Assignee: **Ire-tex Innovations Ltd.** (IE)

(**) Term: **14 Years**

(21) Appl. No.: **29/204,752**

(22) Filed: **May 4, 2004**

(30) **Foreign Application Priority Data**

Nov. 4, 2003 (EM) 95369

(51) **LOC (8) Cl.** **09-08**

(52) **U.S. Cl.** **D34/38**

(58) **Field of Classification Search** D34/38;
108/51.1, 52.1, 53.1, 53.3, 54.1, 55.3, 56.1,
108/57.1, 901, 902

See application file for complete search history.

(56) **References Cited**

U.S. PATENT DOCUMENTS

4,029,023	A	*	6/1977	Rosewicz et al.	108/57.28
D258,948	S	*	4/1981	Stump, Jr.	D34/38
D279,617	S	*	7/1985	Helmer	D34/38
4,619,207	A	*	10/1986	Boyce et al.	108/53.3
RE32,344	E	*	2/1987	Wind	108/53.3
4,879,956	A	*	11/1989	Shuert	108/53.3
D348,136	S	*	6/1994	Haag et al.	D34/38
D374,536	S	*	10/1996	Elder et al.	D34/38
5,606,921	A	*	3/1997	Elder et al.	108/53.3
D379,716	S	*	6/1997	Zipperle et al.	D3/304
D404,179	S	*	1/1999	Apps et al.	D34/38
5,950,545	A	*	9/1999	Shuert	108/53.3
D417,765	S	*	12/1999	Morello	D34/38
D446,900	S	*	8/2001	Koefeldt et al.	D34/38
D464,186	S	*	10/2002	Medoff et al.	D34/38

D472,360 S * 3/2003 Medoff et al. D34/38

* cited by examiner

Primary Examiner—Cynthia E. Ramirez

(74) *Attorney, Agent, or Firm*—Fitch, Even, Tabin & Flannery

(57) **CLAIM**

The ornamental design for a pallet, as shown and described.

DESCRIPTION

FIG. 1 is a perspective view of a bottom of a first embodiment of a pallet of my new design;

FIG. 2 is a bottom plan view of the embodiment of FIG. 1 thereof;

FIG. 3 is a top plan view of the embodiment of FIG. 1 thereof;

FIG. 4 is a side elevation view of the embodiment of FIG. 1 thereof;

FIG. 5 is an end elevation view of the embodiment of FIG. 1 thereof;

FIG. 6 is a perspective view of the top of the embodiment of FIG. 1 thereof;

FIG. 7 is a perspective view of a bottom of a second embodiment of a pallet of my new design;

FIG. 8 is a bottom plan view of the embodiment of FIG. 7 thereof;

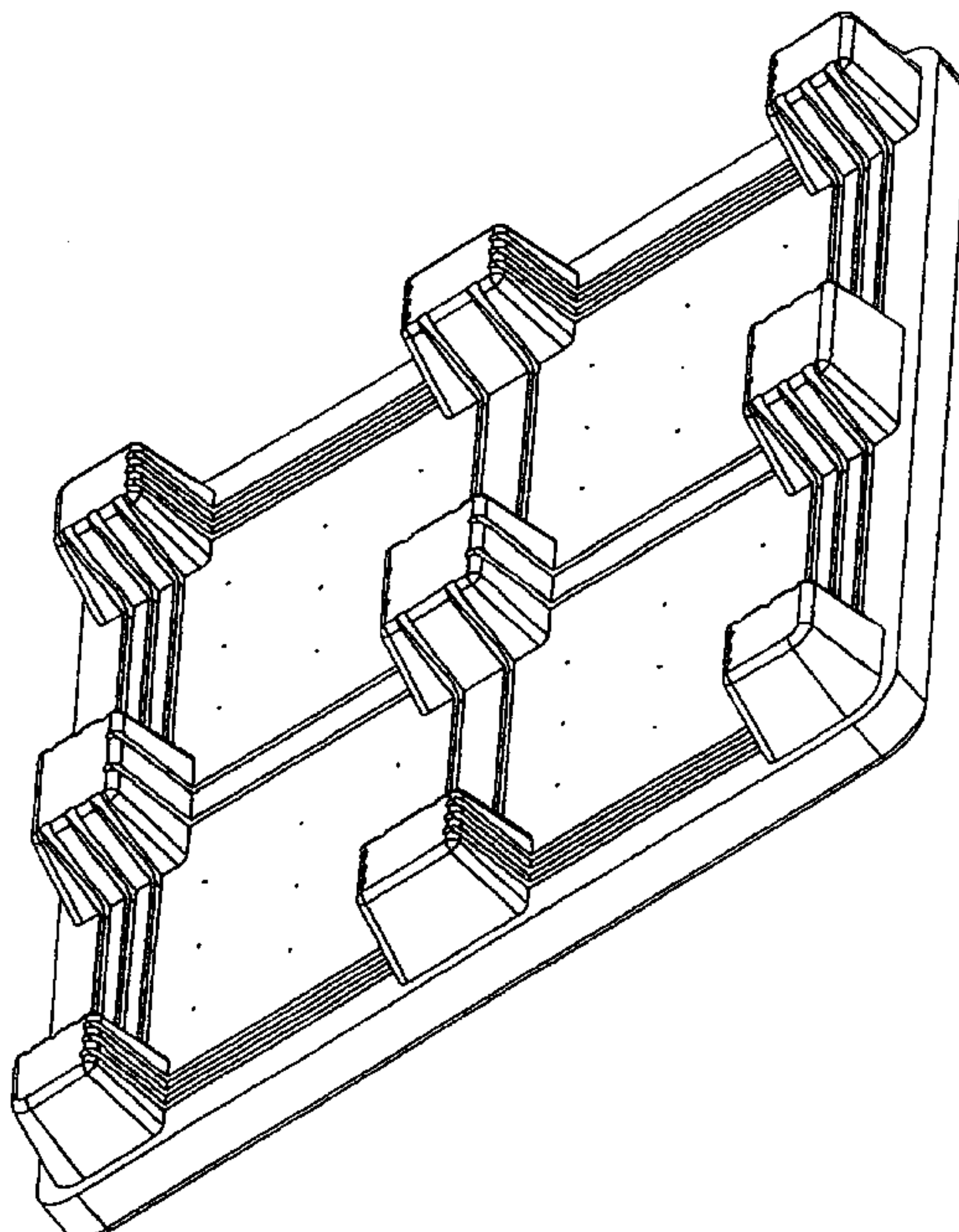
FIG. 9 is a top plan view of the embodiment of FIG. 7 thereof;

FIG. 10 is a side elevation view of the embodiment of FIG. 7 thereof;

FIG. 11 is an end elevation view of the embodiment of FIG. 7 thereof; and,

FIG. 12 is a perspective view of the top of the embodiment of FIG. 7 thereof.

1 Claim, 12 Drawing Sheets



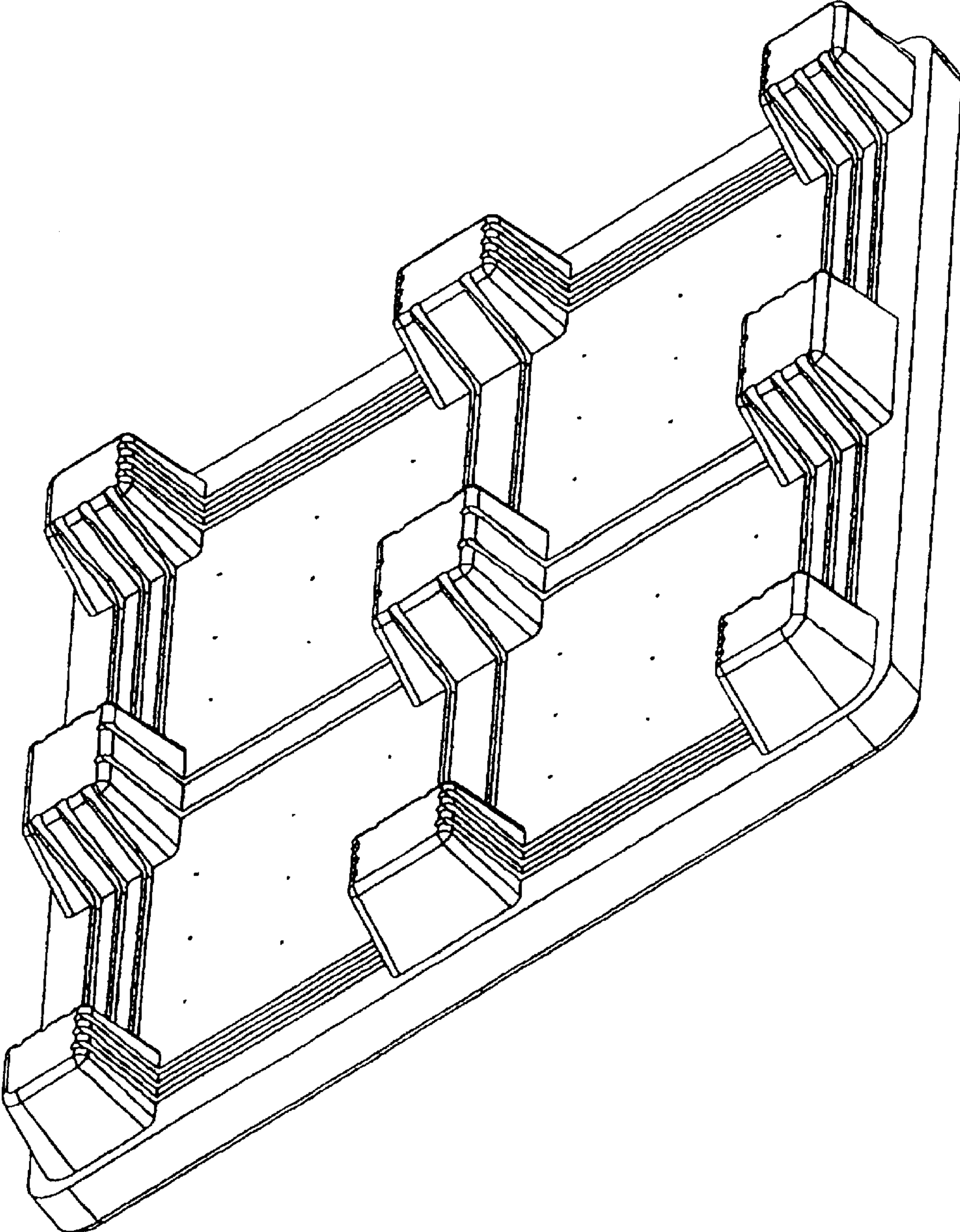


FIG. 1

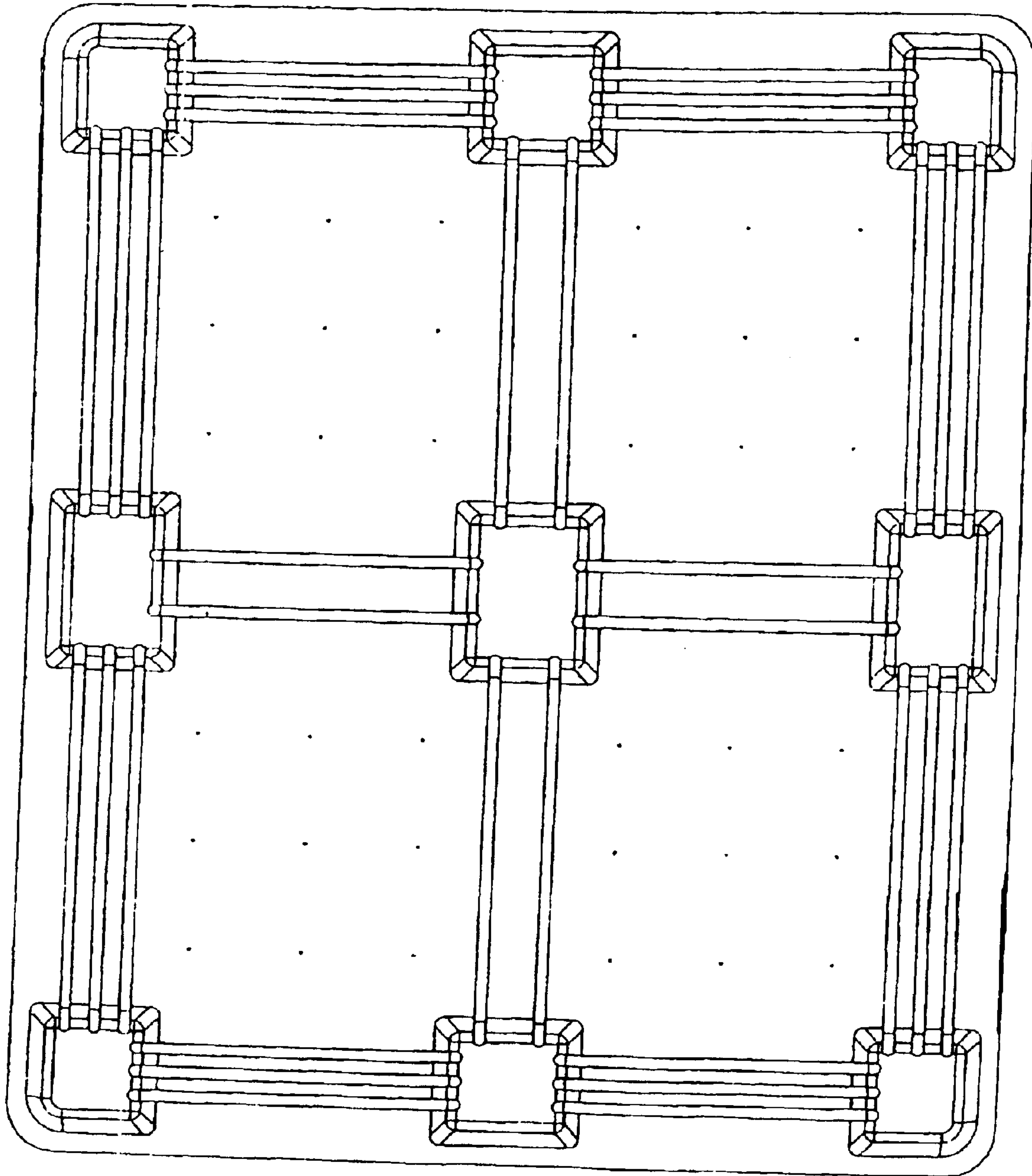


FIG. 2

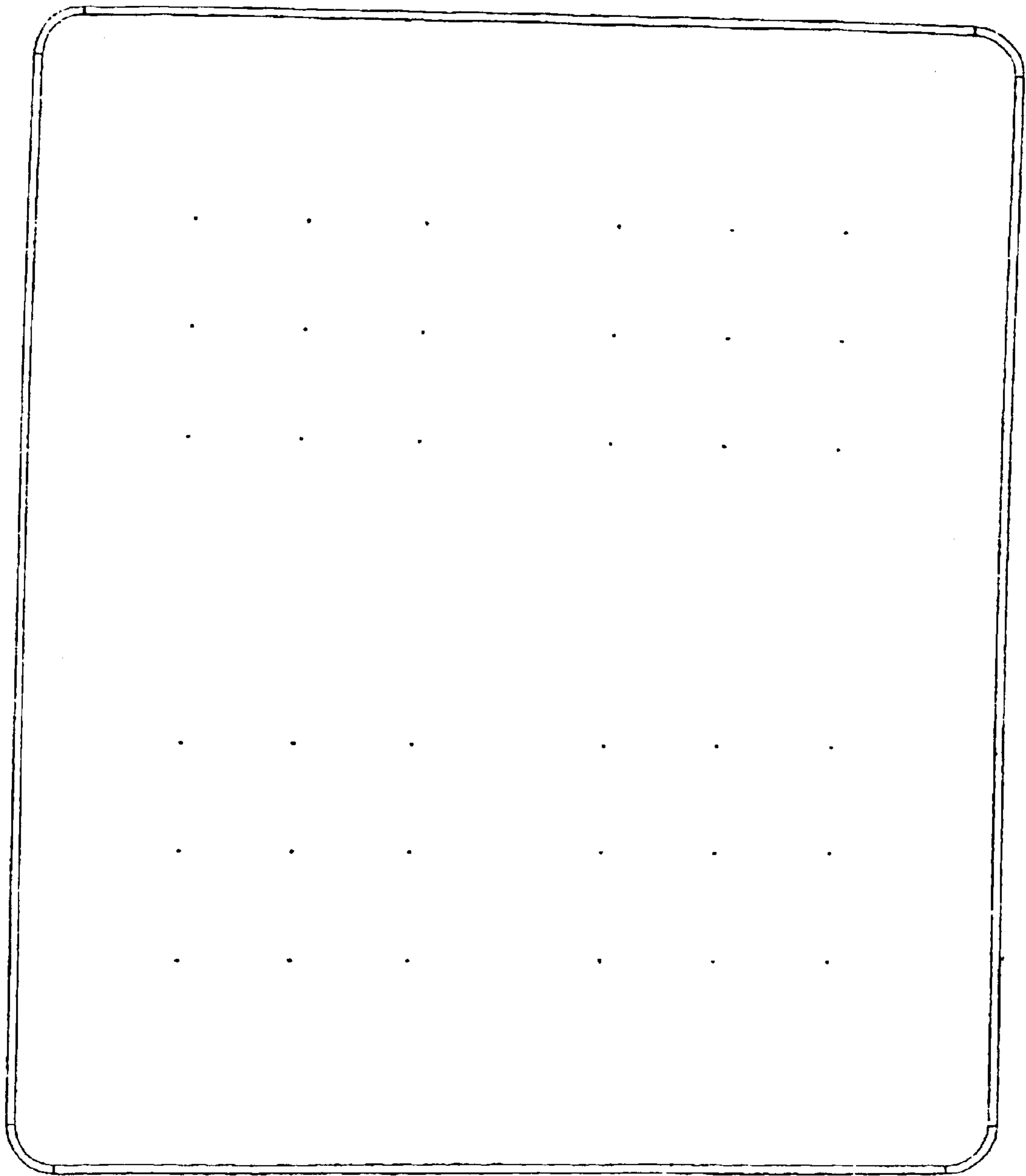


FIG. 3

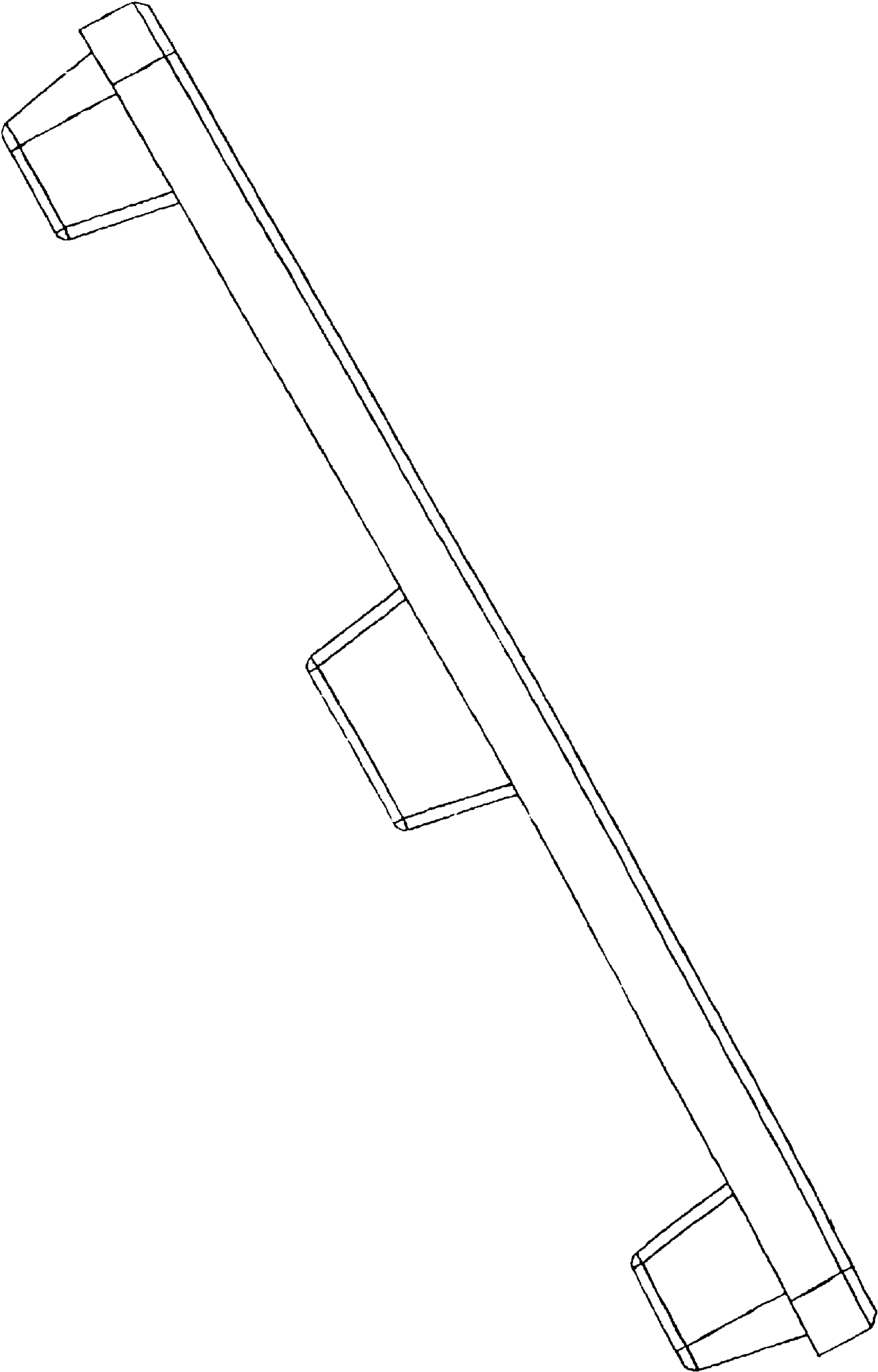


FIG. 4

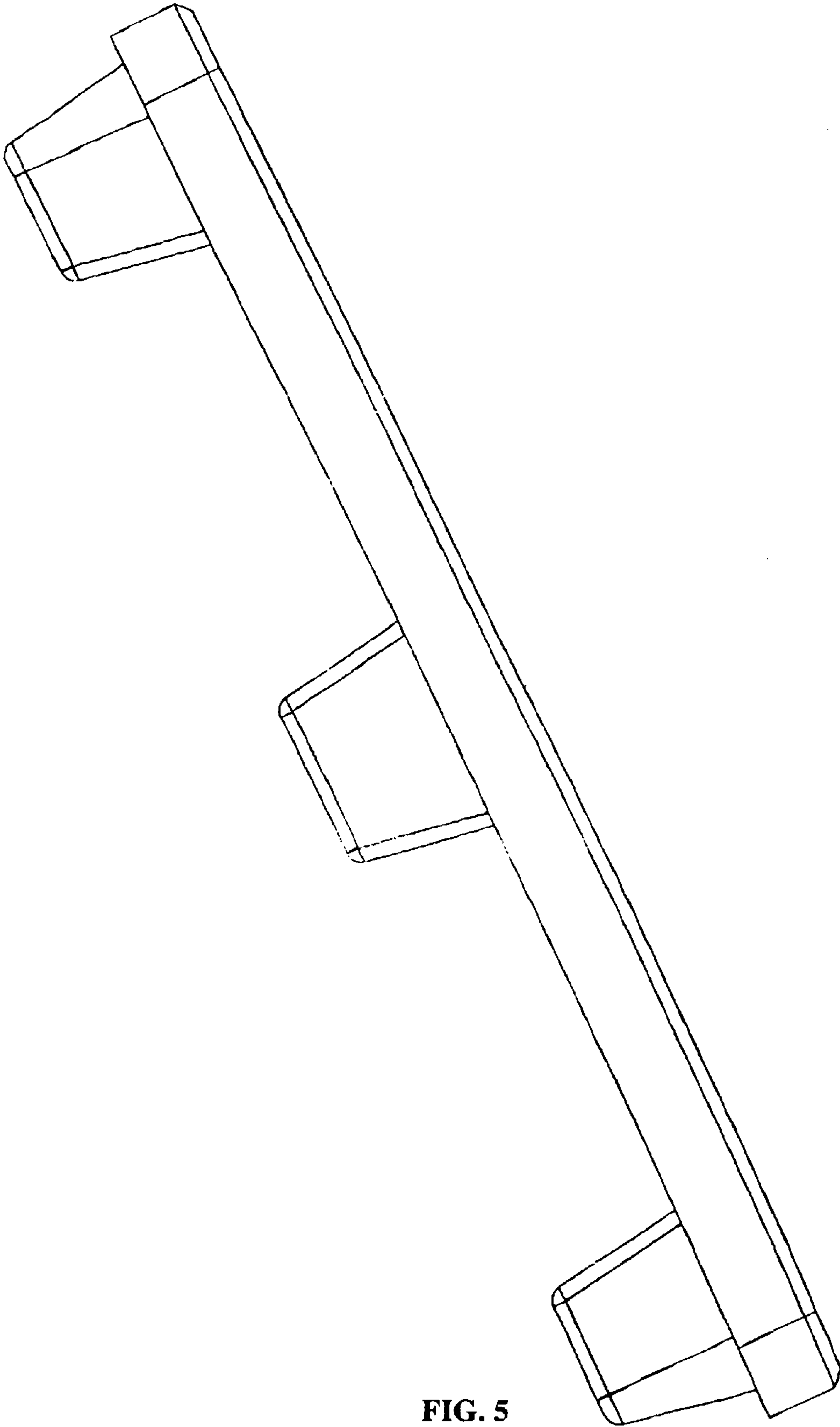


FIG. 5

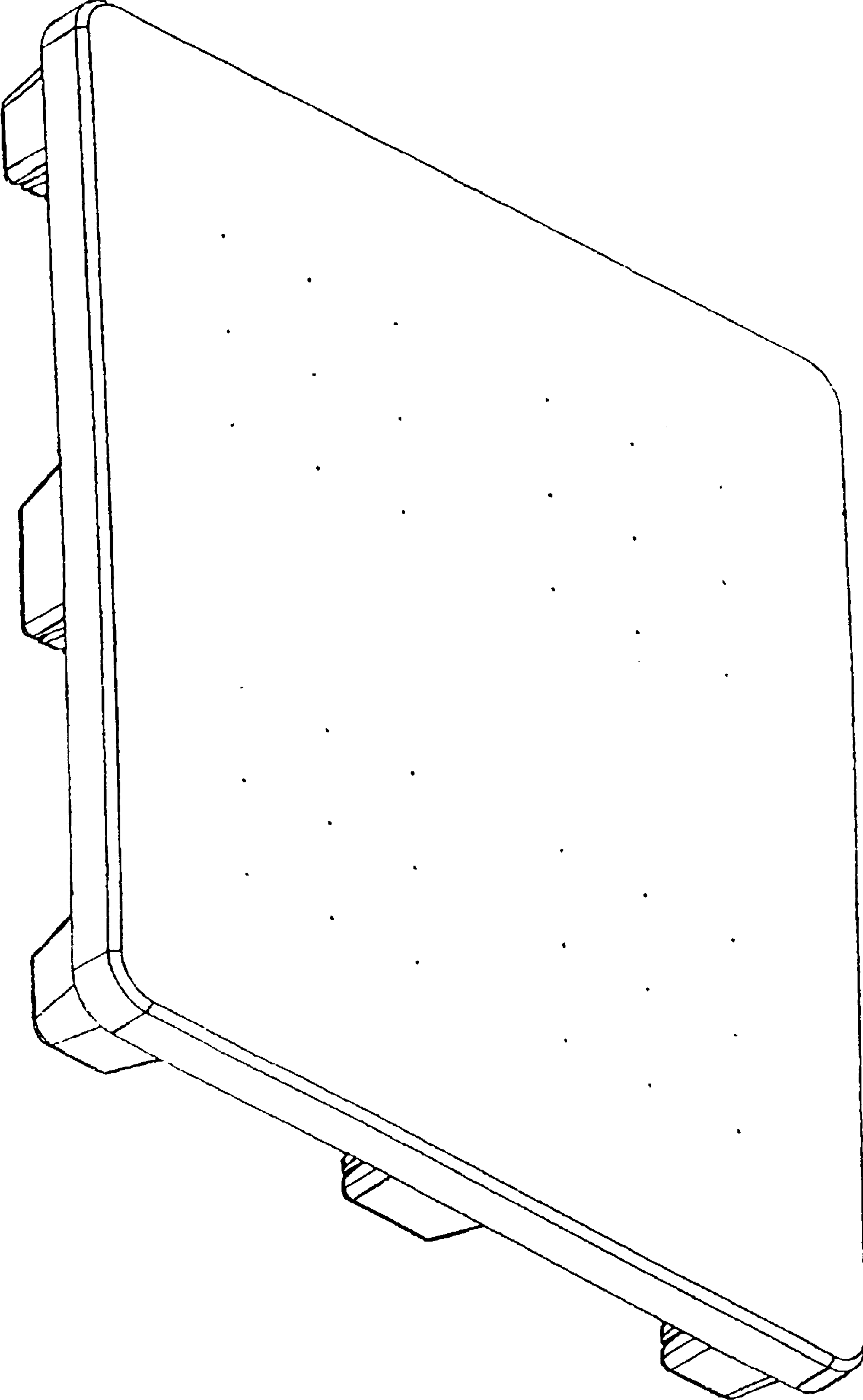


FIG. 6

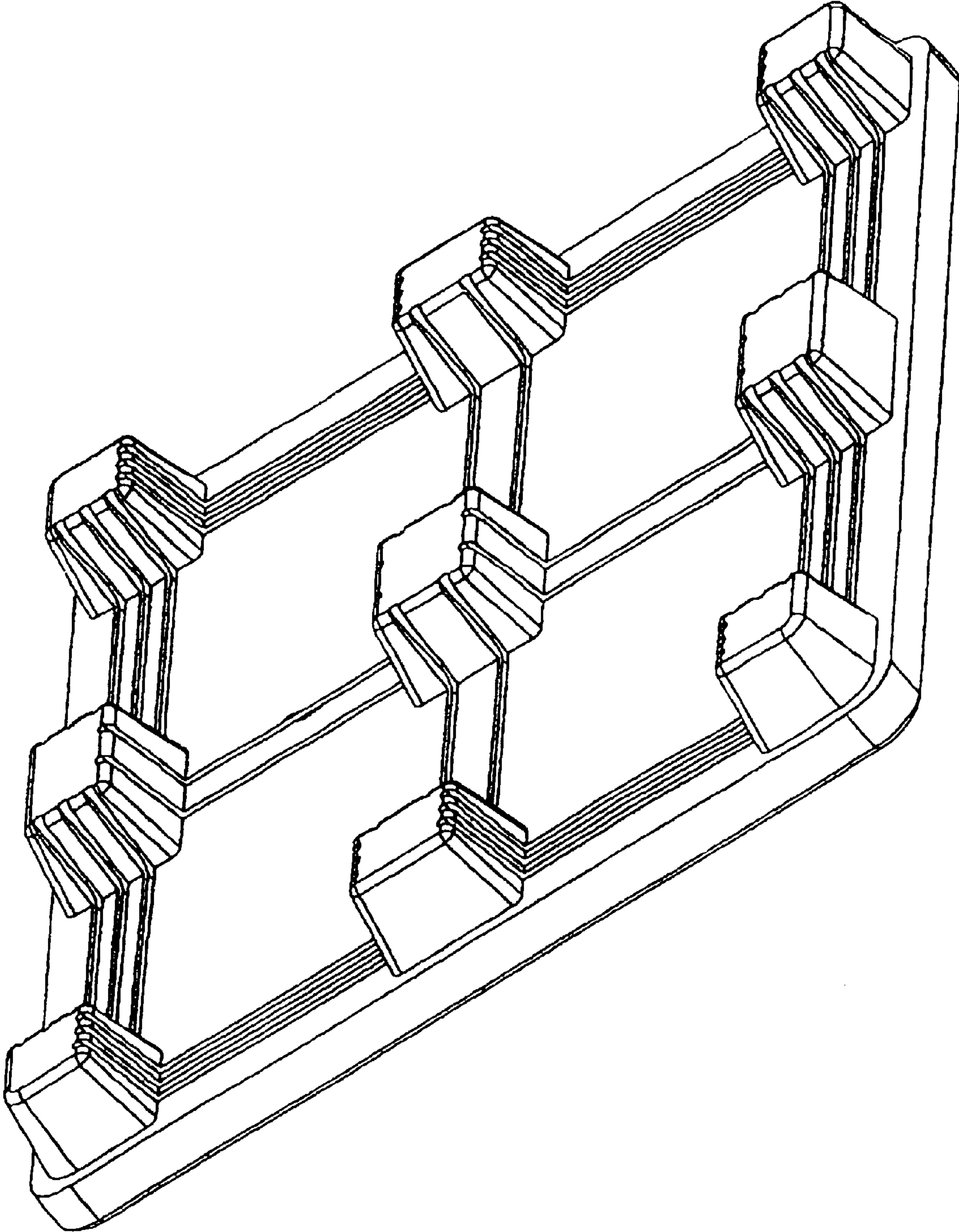


FIG. 7

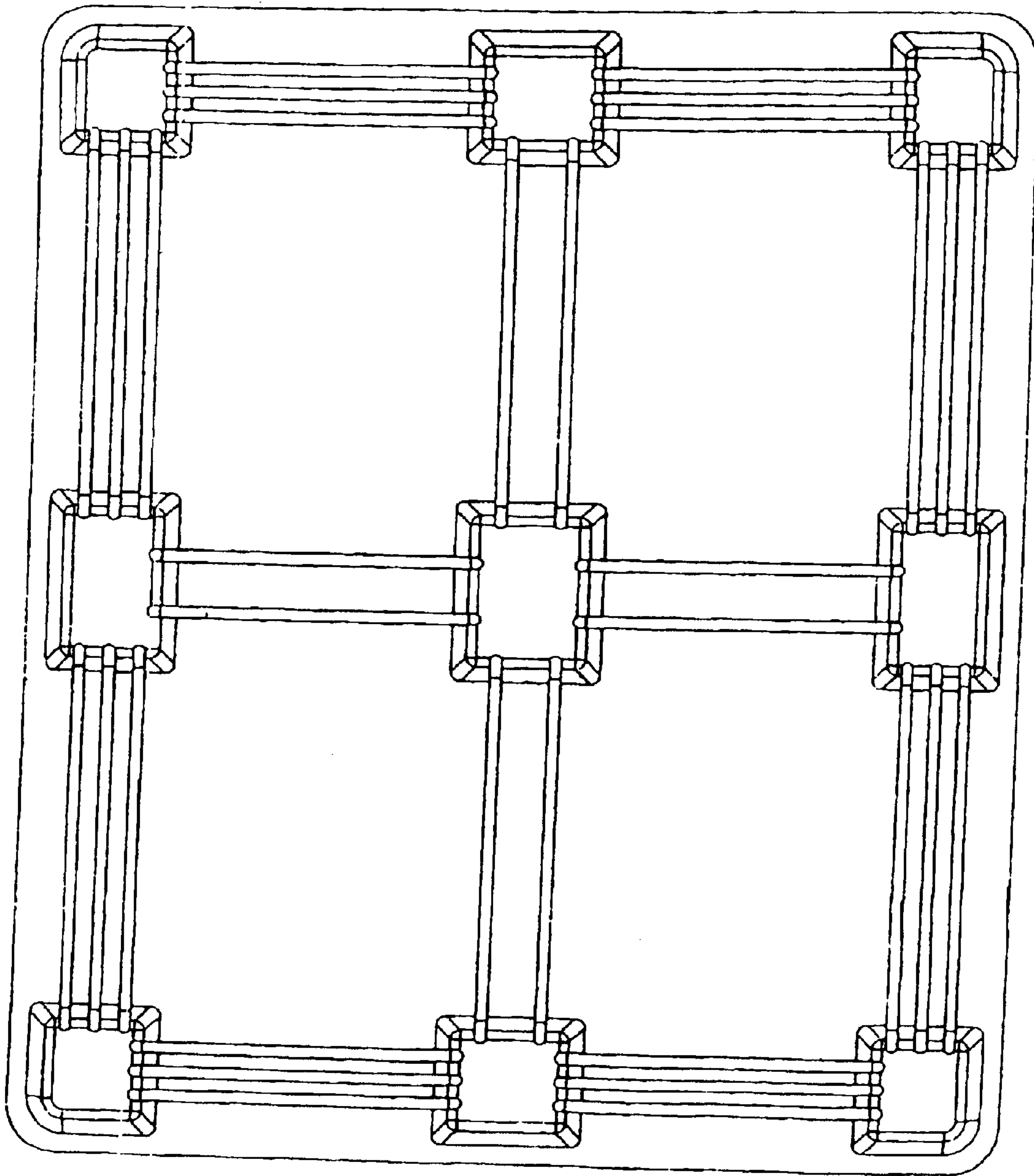


FIG. 8

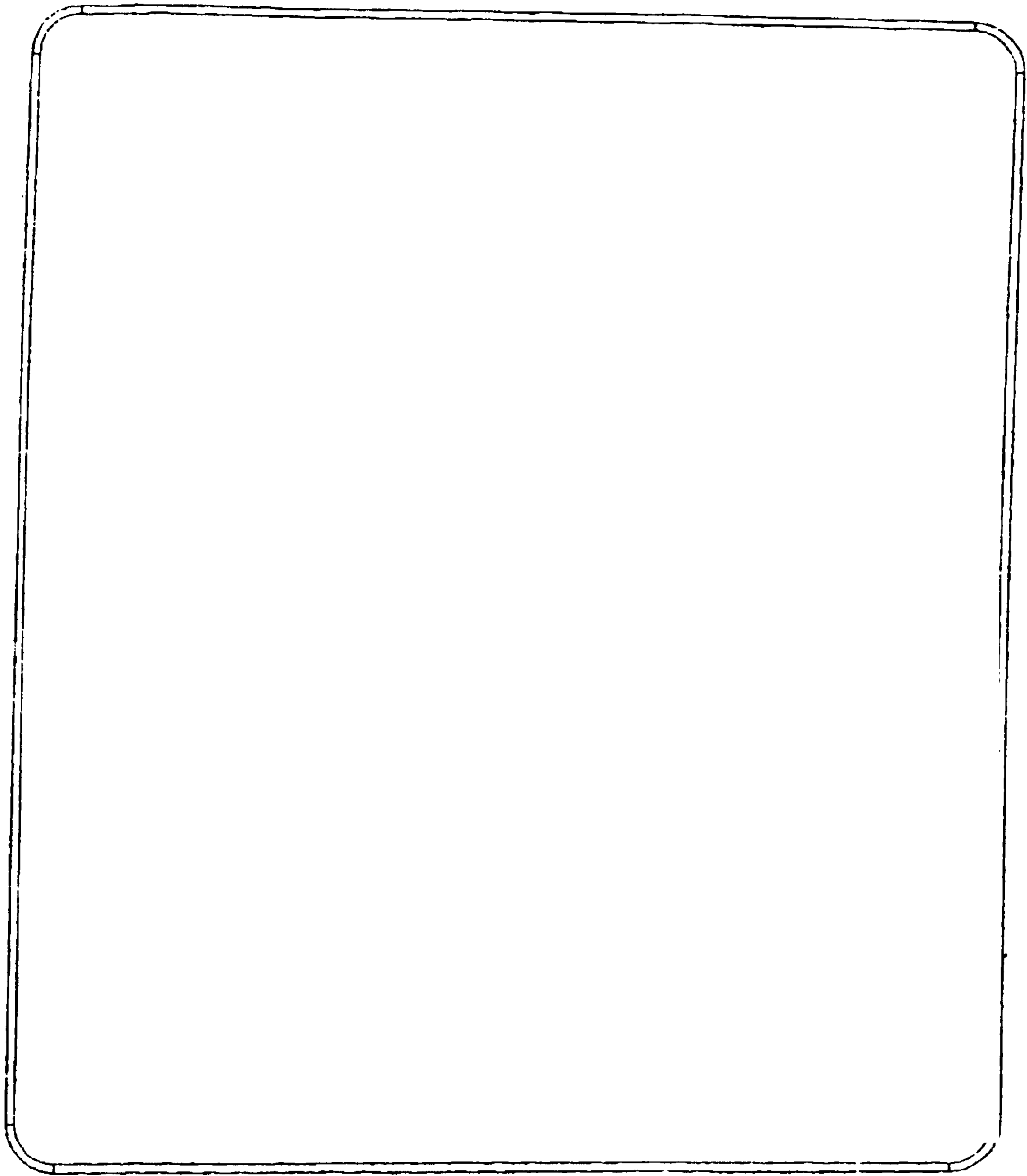


FIG. 9

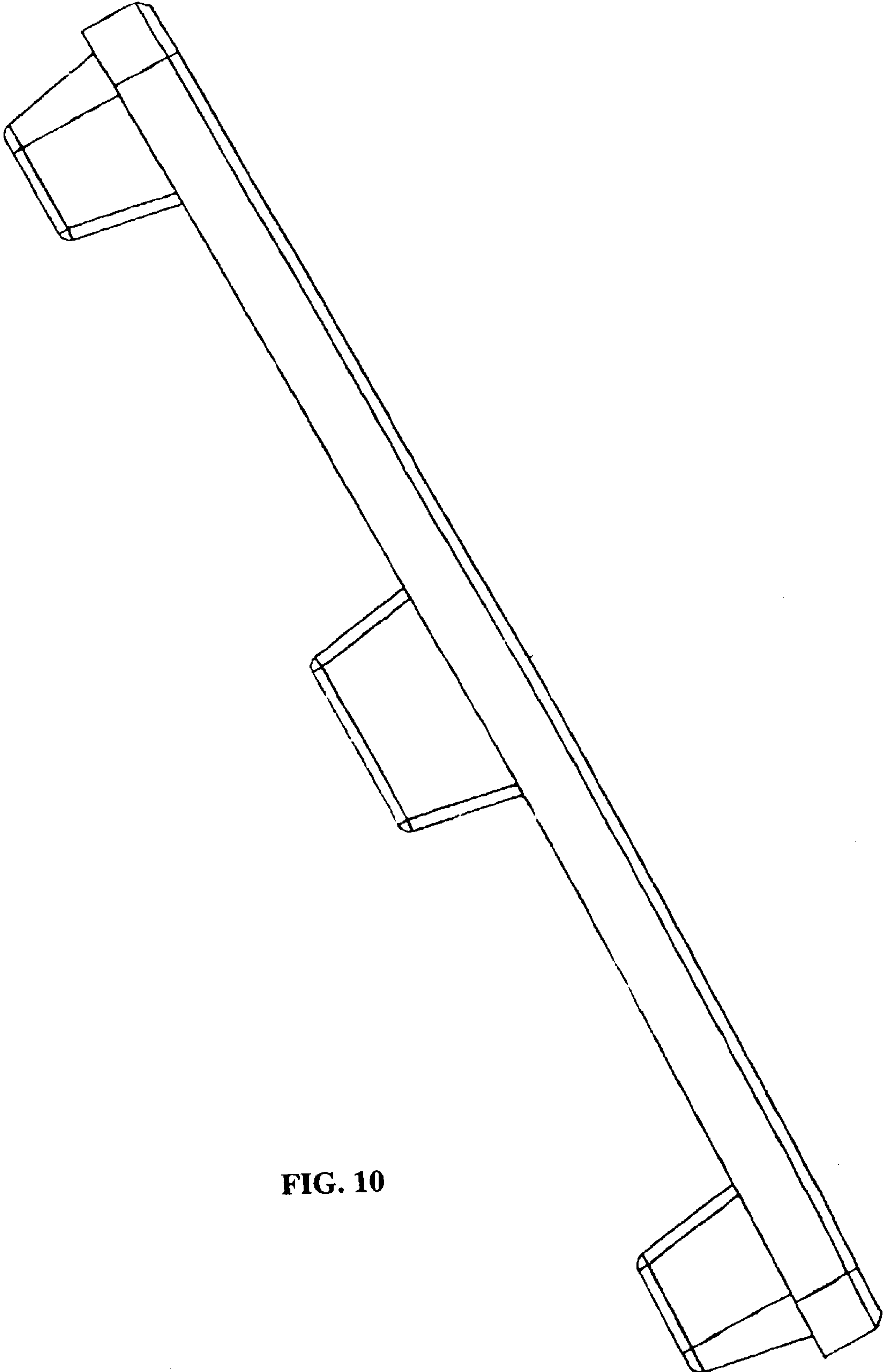


FIG. 10

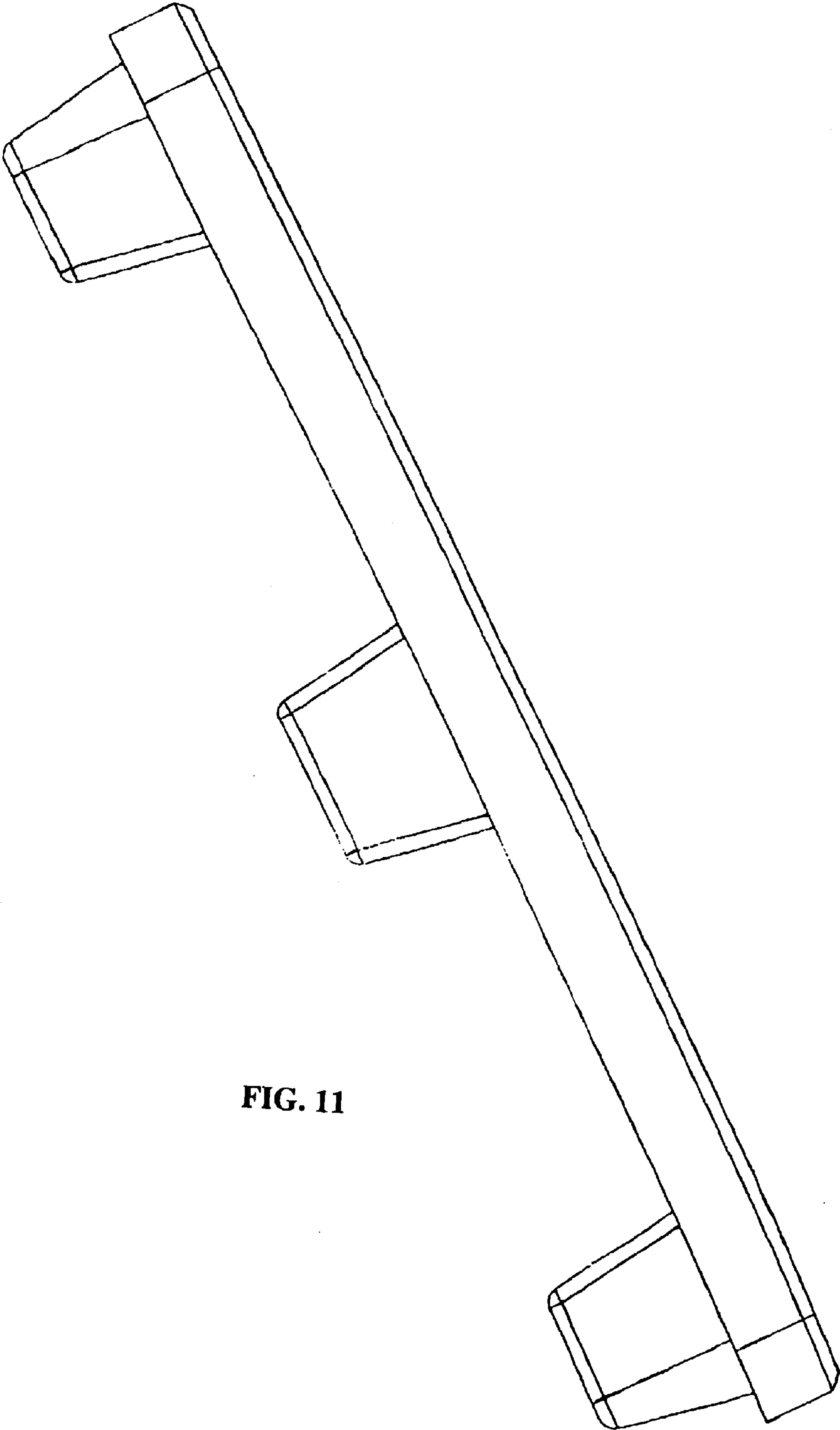


FIG. 11

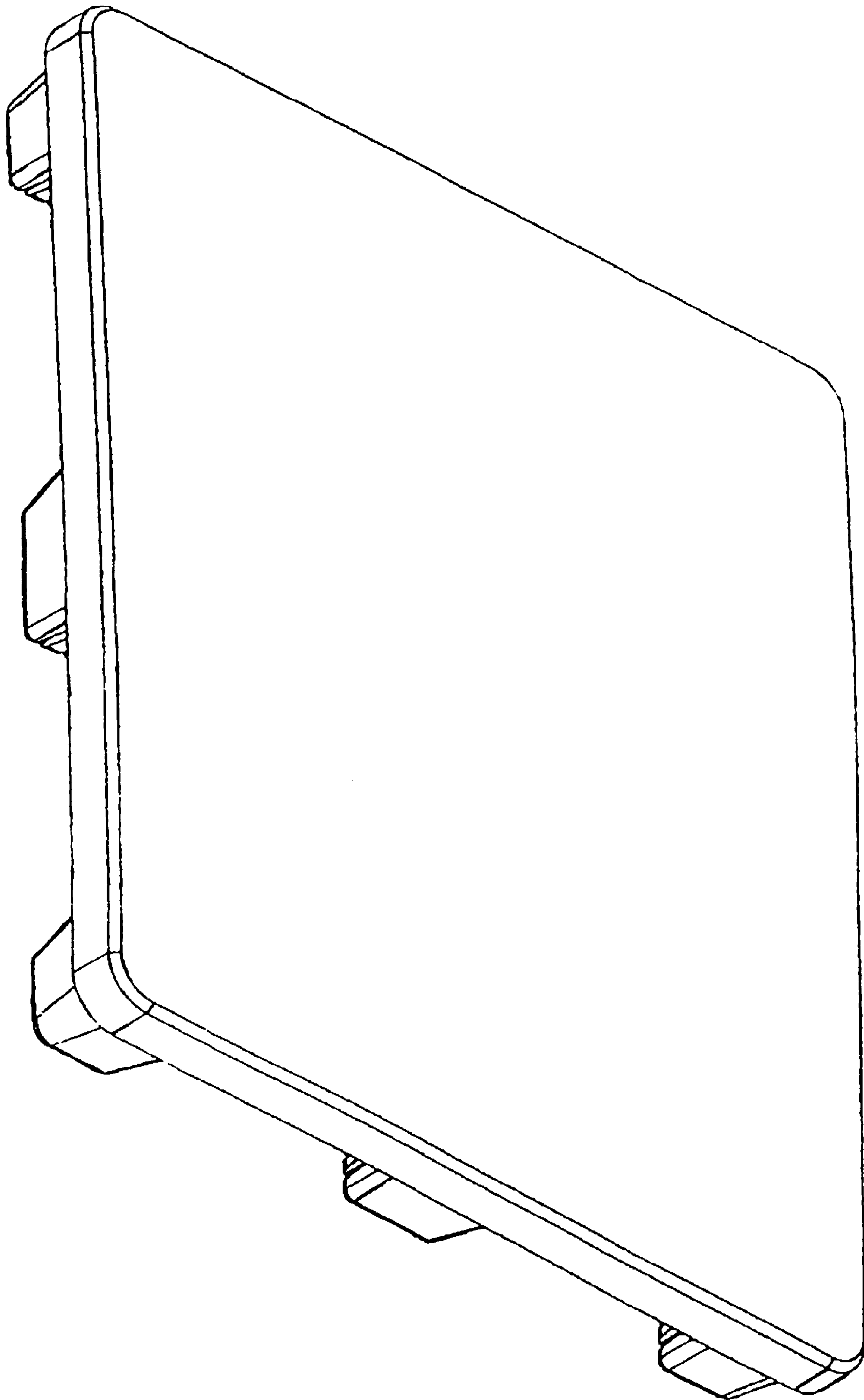


FIG. 12